 Catalogue - technical guide
for external Venetian blinds (facade)
SZF SkyFlow system

The content of this documentation is protected in accordance with the applicable provisions of the law of the Republic of Poland, in particular the Act of 4 February 1994 on copyrights and related rights (Consolidated Text, Journal of Laws of 2021, item 1062), and in accordance with the provisions of European Union law, in particular Directive 2001/29/EC of the European Parliament and of the Council of 22 May 2001 on the harmonisation of certain aspects of copyright and related rights in the information society (Official Journal of the European Union, L 2001, No. 167, page 10, as amended). Any downloading or reproduction of the entire documentation or its part for further dissemination, without the consent of Aluprof S.A., is illegal and is subject to criminal and civil law liability.

CONTENTS

C 80	9
1. WIND LOAD RESISTANCE CLASSIFICATION ACCORDING TO PN-EN 13659	9
1.1. The maximum width of the Venetian blind and wind load resistance classification	10
2. VENETIAN BLIND PACKAGE FOR GUIDE CHANNEL	11
2.1. General information	12
3. ADAPTING BLINDS SZF/A	15
3.1. General information	16
3.1.1. Blind with guide channel	19
3.1.2. Blind with tension wire	20
3.1.3. Venetian blind with wire and guide channel	21
3.1.4. Venetian blinds with guide channels and wire reinforcement	22
3.2. Cover plate	23
3.2.1. Joining cover plate	25
3.3. Top handle	25
3.4. Auxiliary handle	26
3.5. Top guide rail bracket	26
3.6. Other information	26
3.7. Guide channels	27
3.7.1. Guide channels - I Group	27
3.7.2. Guide channels - Group II	27
3.7.3. Guide channels - Group III	28
3.7.3.1. Guide channel side lock	29
3.7.4. Guide channels - Group IV	30
3.7.4.1. Drilling guide channels	32
3.7.4.2. Guide channel side lock	32
3.7.5. Guide channels - Group V	34
3.7.5.1. Guide channel side lock	36
3.7.6. Guide channels - Group VI	36
3.7.6.1. Mounting angle	37
3.8. Division guide channels	38
3.8.1. Guide channels - I Group	38
3.8.2. Guide channels - Group II	38
3.8.3. Guide channels - Group III	39
3.8.4. Guide channels - Group IV	40
3.8.5. Guide channels - Group V	41
3.8.5.1. Guide channel side lock	41
3.8.6. Corner guide channels	42
3.9. Guide channel handles	42
3.9.1. Guide channels - I Group	42
3.9.2. Guide channels - Group II	43
3.9.3. Guide channels - Group III	44
3.9.4. Corner handle	45
3.10. Wire handles	46
3.10.1. Guide channel wire reinforcement	47
3.11. Blinds joining	49
4. SELF-SUPPORTING BLIND SZF/S	50
4.1. General information	51
4.1.1. Blind with guide channel	54
4.1.2. Venetian blinds with guide channels and wire reinforcement	55
4.2. Box	56
4.3. Top guide rail bracket	57
4.4. Other information	57
4.5. Guide channels	58
4.5.1. Guide channel side lock	58
4.5.2. Guide channel handles	59
4.5.3. Guide channel wire reinforcement	60
4.6. Division guide channels	61
4.7. Blinds joining	62
5. UNDER PLASTER BLINDS BOX/BASIC	63
5.1. General information	64
5.1.1. Blind with guide channel	67
5.1.2. Blind with tension wire	68
5.1.3. Venetian blind with wire and guide channel	69
5.1.4. Venetian blinds with guide channels and wire reinforcement	70

5.2. Box	71
5.2.1. Plaster foundation.....	71
5.2.2. Mounting angle.....	72
5.3. Top guide rail bracket	72
5.4. Other information	73
5.5. Guide channels.....	73
5.5.1. Guide channels - I Group.....	73
5.5.1.1. Mounting angle.....	74
5.5.2. Guide channels - Group II.....	75
5.5.2.1. Guide channel side lock.....	77
5.5.3. Guide channels - Group III	77
5.5.4. Guide channels - Group IV.....	78
5.5.4.1. Guide channel side lock.....	79
5.6. Division guide channels.....	79
5.6.1. Guide channels - Group II.....	79
5.6.1.1. Guide channel side lock.....	80
5.6.2. Guide channels - Group III	80
5.6.3. Guide channels - Group IV.....	81
5.7. Guide channel handles.....	82
5.7.1. Guide channels - Group III	82
5.7.2. Guide channels - Group IV.....	83
5.8. Wire handles	84
5.8.1. Guide channel wire reinforcement	86
5.9. Blinds joining.....	87
6. UNDER PLASTER BLINDS BOX/EDGE	88
6.1. General information.....	89
6.1.1. Blind with guide channel	92
6.1.2. Blind with tension wire	93
6.1.3. Venetian blind with wire and guide channel.....	94
6.1.4. Venetian blinds with guide channels and wire reinforcement.....	95
6.2. Box	96
6.2.1. Plaster foundation	96
6.2.2. Mounting angle.....	97
6.3. Top guide rail bracket	97
6.4. Other information	98
6.5. Guide channels.....	98
6.5.1. Guide channels - I Group.....	98
6.5.1.1. Mounting angle.....	99
6.5.2. Guide channels - Group II.....	100
6.5.2.1. Guide channel side lock.....	102
6.5.3. Guide channels - Group III	102
6.5.4. Guide channels - Group IV.....	103
6.5.4.1. Guide channel side lock.....	104
6.6. Division guide channels.....	104
6.6.1. Guide channels - Group II.....	104
6.6.1.1. Guide channel side lock.....	105
6.6.2. Guide channels - Group III	105
6.6.3. Guide channels - Group IV.....	106
6.7. Guide channel handles.....	107
6.7.1. Guide channels - Group III	107
6.7.2. Guide channels - Group IV.....	108
6.8. Wire handles	109
6.8.1. Guide channel wire reinforcement	111
6.9. Blinds joining.....	112
7. UNDER PLASTER BLINDS BOX/COMPACT	113
7.1. General information.....	114
7.1.1. Blind with guide channel	117
7.1.2. Blind with tension wire	118
7.1.3. Venetian blind with wire and guide channel.....	119
7.1.4. Venetian blinds with guide channels and wire reinforcement.....	120
7.2. Cover plate	121
7.2.1. Joining cover plate.....	122
7.3. Top handle	122
7.4. Auxiliary handle.....	123
7.5. Top guide rail bracket	123

7.6. Support.....	123
7.7. Plaster foundation.....	124
7.8. Other information.....	124
7.9. Guide channels.....	125
7.9.1. Guide channels - I Group.....	125
7.9.1.1. Drilling guide channels.....	126
7.9.1.2. Guide channel side lock.....	127
7.9.2. Guide channels - Group II.....	128
7.9.3. Guide channels - Group III.....	129
7.9.4. Guide channels - Group IV.....	129
7.9.4.1. Guide channel side lock.....	131
7.9.5. Guide channels - Group V.....	131
7.9.5.1. Mounting angle.....	132
7.10. Division guide channels.....	133
7.10.1. Guide channels - I Group.....	133
7.10.2. Guide channels - Group II.....	134
7.10.3. Guide channels - Group III.....	134
7.10.4. Guide channels - Group IV.....	135
7.10.5. Corner guide channels.....	136
7.11. Guide channel handles.....	136
7.11.1. Guide channels - Group II.....	136
7.11.2. Guide channels - Group III.....	137
7.11.3. Guide channels - Group IV.....	138
7.11.4. Corner handle.....	139
7.12. Wire handles.....	140
7.12.1. Guide channel wire reinforcement.....	141
7.13. Blinds joining.....	143
C 80.....	144
1. WIND LOAD RESISTANCE CLASSIFICATION ACCORDING TO PN-EN 13659.....	144
1.1. The maximum width of the Venetian blind and wind load resistance classification.....	145
2. VENETIAN BLIND PACKAGE FOR GUIDE CHANNEL.....	146
2.1. General information.....	147
3. ADAPTING BLINDS SZF/A.....	150
3.1. General information.....	151
3.1.1. Blind with guide channel.....	154
3.1.2. Blind with tension wire.....	155
3.1.3. Venetian blind with wire and guide channel.....	156
3.1.4. Venetian blinds with guide channels and wire reinforcement.....	157
3.2. Cover plate.....	158
3.2.1. Joining cover plate.....	160
3.3. Top handle.....	160
3.4. Auxiliary handle.....	161
3.5. Top guide rail bracket.....	161
3.6. Other information.....	161
3.7. Guide channels.....	162
3.7.1. Guide channels - I Group.....	162
3.7.2. Guide channels - Group II.....	162
3.7.3. Guide channels - Group III.....	163
3.7.3.1. Guide channel side lock.....	164
3.7.4. Guide channels - Group IV.....	165
3.7.4.1. Drilling guide channels.....	167
3.7.4.2. Guide channel side lock.....	167
3.7.5. Guide channels - Group V.....	169
3.7.5.1. Guide channel side lock.....	171
3.7.6. Guide channels - Group VI.....	171
3.7.6.1. Mounting angle.....	172
3.8. Division guide channels.....	173
3.8.1. Guide channels - I Group.....	173
3.8.2. Guide channels - Group II.....	173
3.8.3. Guide channels - Group III.....	174
3.8.4. Guide channels - Group IV.....	175
3.8.5. Guide channels - Group V.....	176
3.8.5.1. Guide channel side lock.....	176
3.8.6. Corner guide channels.....	177
3.9. Guide channel handles.....	177

3.9.1. Guide channels - I Group.....	177
3.9.2. Guide channels - Group II.....	178
3.9.3. Guide channels - Group III.....	179
3.9.4. Corner handle.....	180
3.10. Wire handles.....	181
3.10.1. Guide channel wire reinforcement.....	182
3.11. Blinds joining.....	184
4. SELF-SUPPORTING BLIND SZF/S	185
4.1. General information.....	186
4.1.1. Blind with guide channel.....	189
4.1.2. Venetian blinds with guide channels and wire reinforcement.....	190
4.2. Box.....	191
4.3. Top guide rail bracket.....	192
4.4. Other information.....	192
4.5. Guide channels.....	193
4.5.1. Guide channel side lock.....	193
4.5.2. Guide channel handles.....	194
4.5.3. Guide channel wire reinforcement.....	195
4.6. Division guide channels.....	196
4.7. Blinds joining.....	197
5. UNDER PLASTER BLINDS BOX/BASIC	198
5.1. General information.....	199
5.1.1. Blind with guide channel.....	202
5.1.2. Blind with tension wire.....	203
5.1.3. Venetian blind with wire and guide channel.....	204
5.1.4. Venetian blinds with guide channels and wire reinforcement.....	205
5.2. Box.....	206
5.2.1. Plaster foundation.....	206
5.2.3. Mounting angle.....	207
5.3. Top guide rail bracket.....	207
5.4. Other information.....	208
5.5. Guide channels.....	208
5.5.1. Guide channels - I Group.....	208
5.5.1.1. Mounting angle.....	209
5.5.2. Guide channels - Group II.....	210
5.5.2.1. Guide channel side lock.....	212
5.5.3. Guide channels - Group III.....	212
5.5.4. Guide channels - Group IV.....	213
5.5.4.1. Guide channel side lock.....	214
5.6. Division guide channels.....	214
5.6.1. Guide channels - Group II.....	214
5.6.1.1. Guide channel side lock.....	215
5.6.2. Guide channels - Group III.....	215
5.6.3. Guide channels - Group IV.....	216
5.7. Guide channel handles.....	217
5.7.1. Guide channels - Group III.....	217
5.7.2. Guide channels - Group IV.....	218
5.8. Wire handles.....	219
5.8.1. Guide channel wire reinforcement.....	221
5.9. Blinds joining.....	222
6. UNDER PLASTER BLINDS BOX/EDGE	223
6.1. General information.....	224
6.1.1. Blind with guide channel.....	227
6.1.2. Blind with tension wire.....	228
6.1.3. Venetian blind with wire and guide channel.....	229
6.1.4. Venetian blinds with guide channels and wire reinforcement.....	230
6.2. Box.....	231
6.2.1. Plaster foundation.....	231
6.2.2. Mounting angle.....	232
6.3. Top guide rail bracket.....	232
6.4. Other information.....	233
6.5. Guide channels.....	233
6.5.1. Guide channels - I Group.....	233
6.5.1.1. Mounting angle.....	234
6.5.2. Guide channels - Group II.....	235

6.5.2.1. Guide channel side lock	237
6.5.3. Guide channels - Group III	237
6.5.4. Guide channels - Group IV	238
6.5.4.1. Guide channel side lock	239
6.6. Division guide channels	239
6.6.1. Guide channels - Group II	239
6.6.1.1. Guide channel side lock	240
6.6.2. Guide channels - Group III	240
6.6.3. Guide channels - Group IV	241
6.7. Guide channel handles	242
6.7.1. Guide channels - Group III	242
6.7.2. Guide channels - Group IV	243
6.8. Wire handles	244
6.8.1. Guide channel wire reinforcement	246
6.9. Blinds joining	247
7. UNDER PLASTER BLINDS BOX/COMPACT	248
7.1. General information	249
7.1.1. Blind with guide channel	252
7.1.2. Blind with tension wire	253
7.1.3. Venetian blind with wire and guide channel	254
7.1.4. Venetian blinds with guide channels and wire reinforcement	255
7.2. Cover plate	256
7.2.1. Joining cover plate	257
7.3. Top handle	257
7.4. Auxiliary handle	258
7.5. Top guide rail bracket	258
7.6. Support	258
7.7. Plaster foundation	259
7.8. Other information	259
7.9. Guide channels	260
7.9.1. Guide channels - I Group	260
7.9.1.1. Drilling guide channels	261
7.9.1.2. Guide channel side lock	262
7.9.2. Guide channels - Group II	263
7.9.3. Guide channels - Group III	264
7.9.4. Guide channels - Group IV	264
7.9.4.1. Guide channel side lock	266
7.9.5. Guide channels - Group V	266
7.9.5.1. Mounting angle	267
7.10. Division guide channels	268
7.10.1. Guide channels - I Group	268
7.10.2. Guide channels - Group II	269
7.10.3. Guide channels - Group III	269
7.10.4. Guide channels - Group IV	270
7.10.5. Corner guide channels	271
7.11. Guide channel handles	271
7.11.1. Guide channels - Group II	271
7.11.2. Guide channels - Group III	272
7.11.3. Guide channels - Group IV	273
7.11.4. Corner handle	274
7.12. Wire handles	275
7.12.1. Guide channel wire reinforcement	276
7.13. Blinds joining	278
DETAIL COLOURS	279
DRIVE	280
1. MOTOR	280
2. RADIO CONTROL UNIT	283
3. WEATHER SENSORS	283
4. CONTROL	284
4.1. Control unit	284
4.2. Transmitters and switches	284
4.3. Additional accessories	287

DRIVE - SOLAR POWER SUPPLY.....	288
1. MOTOR	288
2. BATTERY WITH PANEL	289
3. RADIO CONTROL UNIT	289
 DRIVE - POWER SUPPLY 120V.....	 290
1. MOTOR	290
2. RADIO CONTROL UNIT	291
3. WEATHER SENSORS	291
4. CONTROL:	291
4.1. Control unit.....	291
4.2. Transmitters and switches.....	291
 MOTOR WITH EMERGENCY OPENING.....	 292
1. MOTOR - EXITSAFE.....	292
2. MOTOR - JA_NHK.....	293
2.1. Extension of the axle.....	295
 MANUAL DRIVE.....	 297
1. GEAR MECHANISM.....	297
1.1. Extension of the axle.....	299

Finished product tolerance

Tolerances relating to the overall dimensions (height and width) of the delivered product compared to the dimensions ordered are found in the product standard EN 13659.

CATALOGUE - TECHNICAL GUIDE FOR EXTERNAL VENETIAN BLINDS (FACADE) SZF SkyFLOW SYSTEM

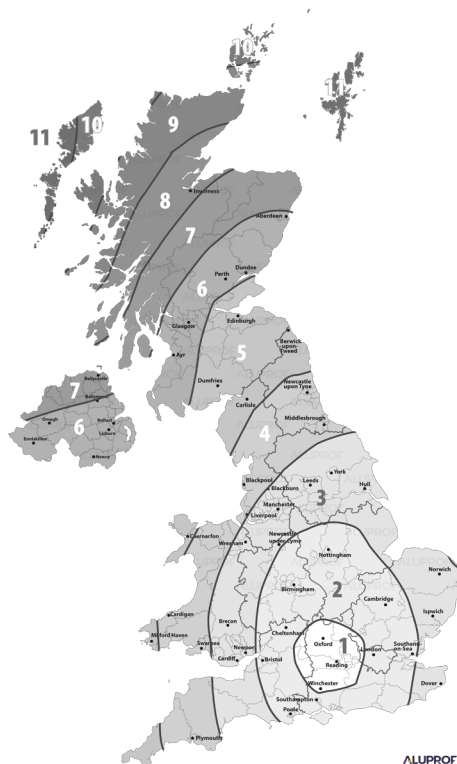
C 80 / 1. WIND LOAD RESISTANCE CLASSIFICATION ACCORDING TO PN-EN 13659

C 80

1. WIND LOAD RESISTANCE CLASSIFICATION ACCORDING TO PN-EN 13659

In order to ensure proper, trouble-free and safe operation of roller shutters or external Venetian blinds, the product should be installed in the required wind load resistance class. Appropriate maps and tables have been prepared in order to select suitable roller shutter profiles or slats.

Map of wind load zones



Fundamental value of the basic wind velocity (BS EN 1991-1-4:2005+A1:2010)											
Wind zone	1	2	3	4	5	6	7	8	9	10	11
V_{b0} (m/s)	21,5	22	23	24	25	26	27	28	29	30	31

Assignment of wind load resistance classes to wind load zones: United Kingdom (BS EN 13659:2015)

Criteria	Height of roller shutter installation on a building										
	to 9 m										
Land classification	Wind zone										
	1	2	3	4	5	6	7	8	9	10	11
IV	1	1	1	1	1	2	2	2	2	2	3
III	1	2	2	2	2	3	3	3	3	3	4
II	2	3	3	3	3	4	4	4	4	4	4
I	3	3	3	4	4	4	4	4	4	4	5
0	3	3	4	4	4	4	4	4	4	5	5

Criteria	Height of roller shutter installation on a building										
	from 9 to 18 m										
Land classification	Wind zone										
	1	2	3	4	5	6	7	8	9	10	11
IV	1	1	2	2	2	2	3	3	3	3	3
III	2	2	3	3	3	3	4	4	4	4	4
II	3	3	3	4	4	4	4	4	4	4	5
I	3	3	4	4	4	4	4	4	5	5	5
0	4	4	4	4	4	4	4	5	5	5	5

**CATALOGUE - TECHNICAL GUIDE FOR EXTERNAL
VENETIAN BLINDS (FACADE) SZF SKYFLOW SYSTEM**

C 80 / 1. WIND LOAD RESISTANCE CLASSIFICATION ACCORDING TO PN-EN 13659

1.1. The maximum width of the Venetian blind and wind load resistance classification

C 80 with guide channels		Wind load resistance classification acc. To EN 13659							
		Maximum width [mm]							
		2000	2500	3000	3500	4000	4500	5000	5200
The maximum height of the blinds [mm]	≤ 2500	5	3	3	2	2	1	-	-
	≤ 4000	5	3	3	2	2	1	-	-
	≤ 5000	5	3	3	1	1	-	-	-


C 80 with guide channels and wire reinforcement		Wind load resistance classification acc. To EN 13659							
		Maximum width [mm]							
		2000	2500	3000	3500	4000	4500	5000	5200
The maximum height of the blinds [mm]	≤ 2500	5	4	4	3	3	3	3	1
	≤ 4000	5	4	4	3	3	3	3	1
	≤ 5000	5	4	4	3	3	3	3	1

 Venetian blinds with a surface area exceeding 22.5 m2 can be ordered only after consulting the Technical Department.

C 80 with wires		Wind load resistance classification acc. To EN 13659						
		Maximum width [mm]						
		2000	2500	3000	3500	4000	4500	
The maximum height of the blinds [mm]	≤ 2500	3	2	2	1	1	-	
	≤ 4000	2	1	1	-	-	-	

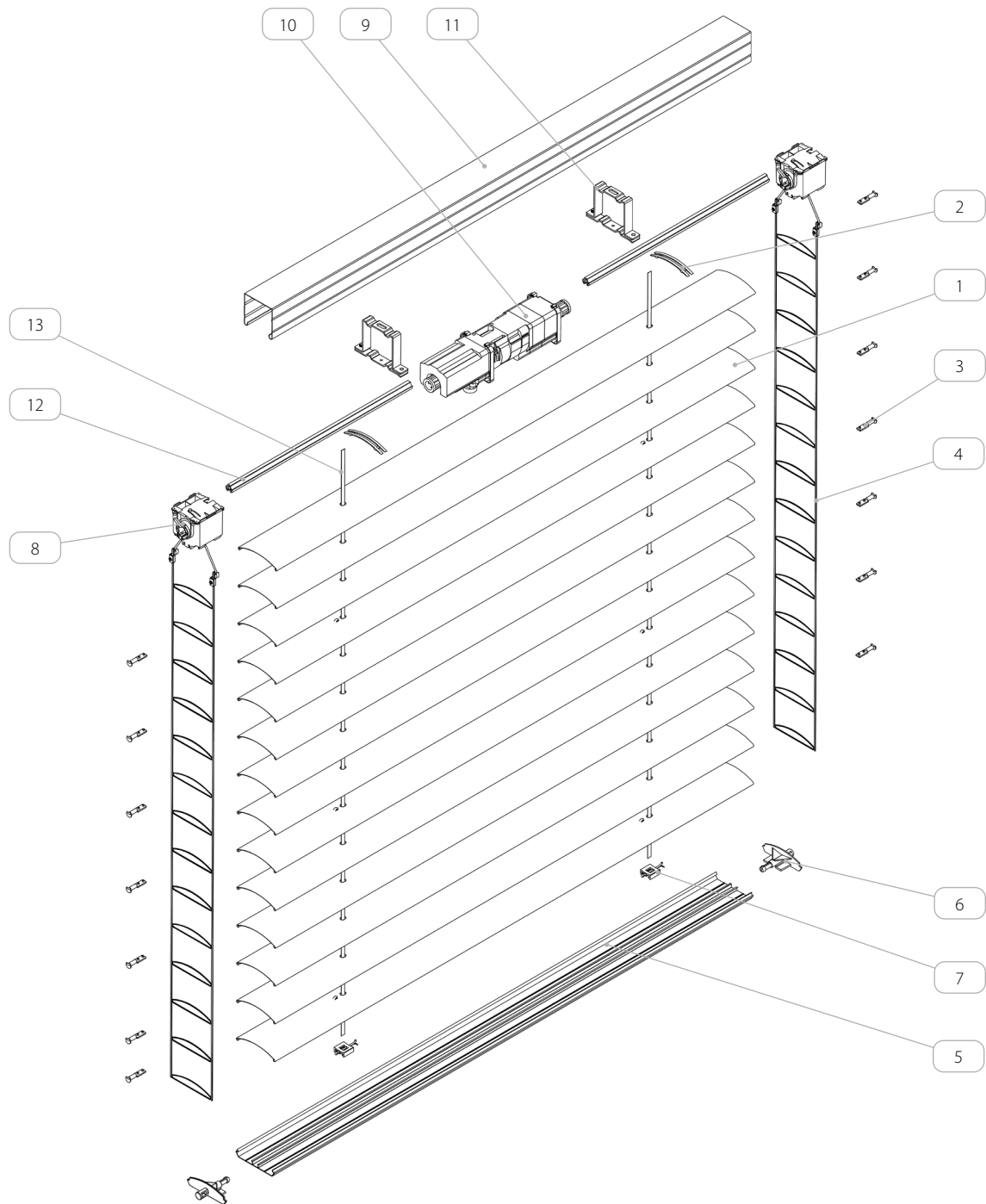
 For Venetian blinds in a combined configuration: guide channel and wire, the maximum dimensions should be specified as for blinds with wires only.

The CE label and the Declaration of Performance (DWU) delivered with the product contain information about the wind load resistance class of a given Venetian blind.

 The venetian blind should be fully lifted and stored in the box (top limit position) when the wind exceeds the speed in a given wind load resistance class. It is also recommended to react personally in such situations, despite the installed wind sensor.

Wind load resistance classification acc. to EN 13659	Safe wind speed	
	[m/s]	[km/h]
1	< 8,9	< 32,2
2	< 10,6	< 38,1
3	< 12,6	< 45,5
4	< 16,5	< 59,4
5	< 20,8	< 74,8
6	< 25,3	< 91,1

2. VENETIAN BLIND PACKAGE FOR GUIDE CHANNEL



Name of the component			
1.	Profile C 80	8.	Mechanism - 8 mm belt
2.	Slat clip	9.	Steel rail - galvanised
3.	Pin to C 80	10.	Drive
4.	Ladder braid C 80	11.	Guide rail bracket
5.	Bottom rail	12.	Shaft 14 mm
6.	Blind for end slat	13.	Strap 8 mm
7.	Lift tape and end slat - connector		

CATALOGUE - TECHNICAL GUIDE FOR EXTERNAL VENETIAN BLINDS (FACADE) SZF SkyFlow SYSTEM

C 80 / 2. VENETIAN BLIND PACKAGE FOR GUIDE CHANNEL

2.1. General information

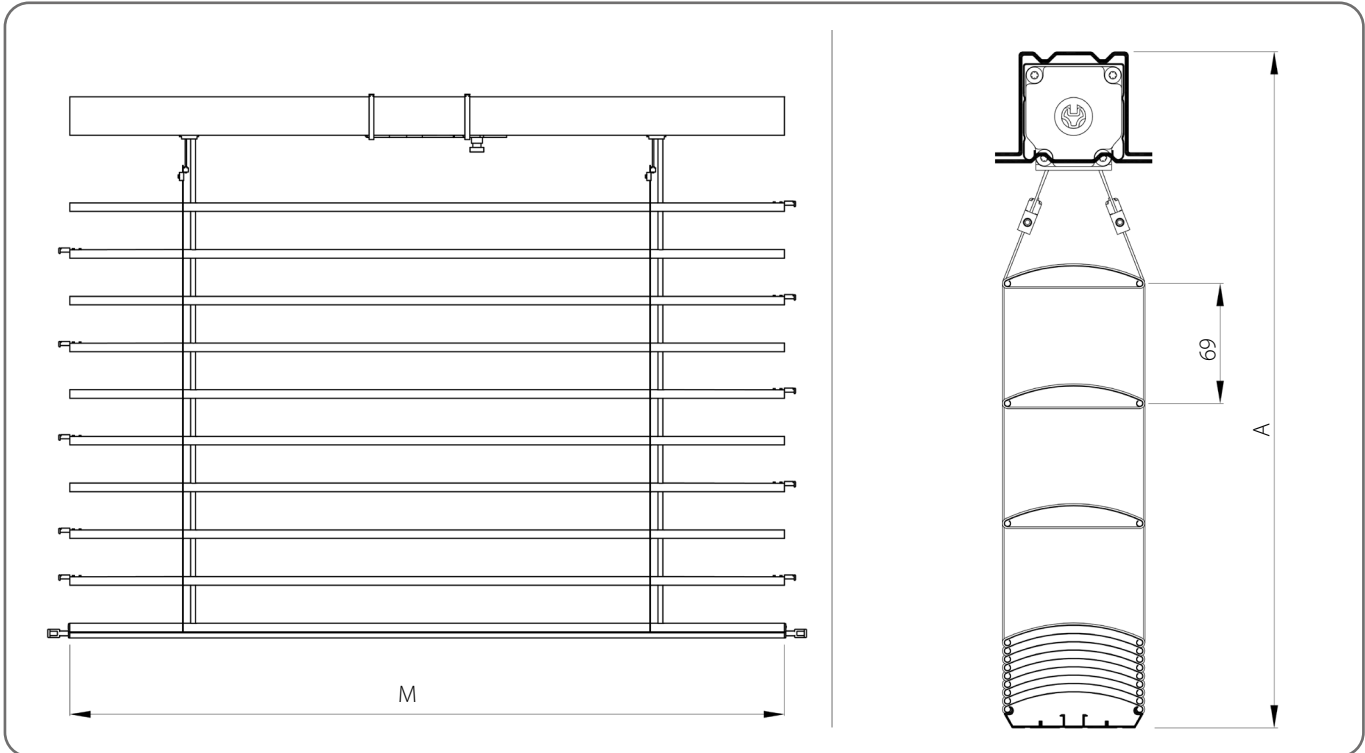


Where:

A - HEIGHT OF THE PACKAGE [mm]

M - WIDTH OF THE PACKAGE / SLAT [mm]

The measurement and installation of the venetian blind should be performed by a qualified installer.



Technical specifications

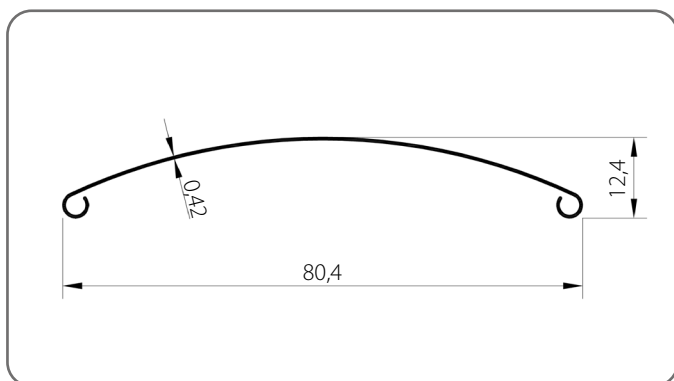
Minimum		Maximum		Maximum surface [m ²]	Electric drive	Motor with emergency opening	Manual drive	Installation
Width [mm]	Height [mm]	Width [mm]	Height [mm]					
600	600	4500	4000	18	YES	YES	YES	External

Blinds height [mm]	Slat width [mm]							
600 - 2500	1400	2400	3400	4400	5000	-	-	-
2501 - 3000	1300	2200	3100	4000	4900	5000	-	-
3001 - 4500	1200	2000	2800	3600	4400	5000	-	-
4501 - 5000	1100	1800	2500	3200	3900	4600	5000	-
Number of strap mechanisms	2	3	4	5	6	7	8	

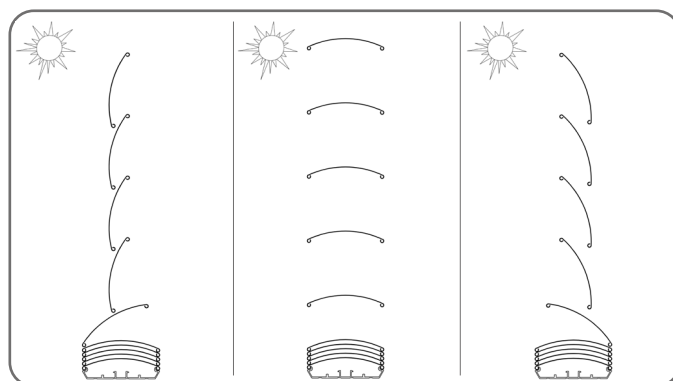
**CATALOGUE - TECHNICAL GUIDE FOR EXTERNAL
VENETIAN BLINDS (FACADE) SZF SkyFLOW SYSTEM**

C 80 / 2. VENETIAN BLIND PACKAGE FOR GUIDE CHANNEL

Slat C 80/x



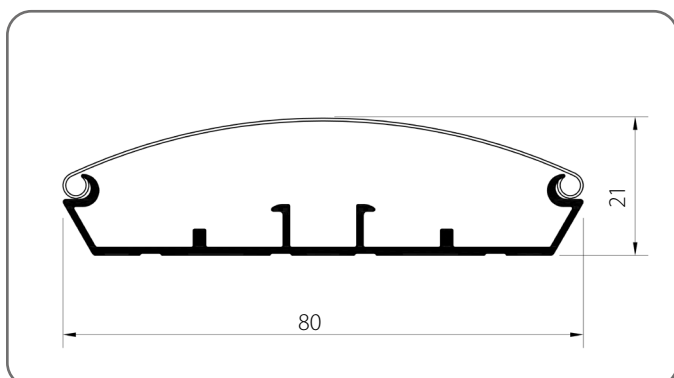
Slats rotation range - 180°*



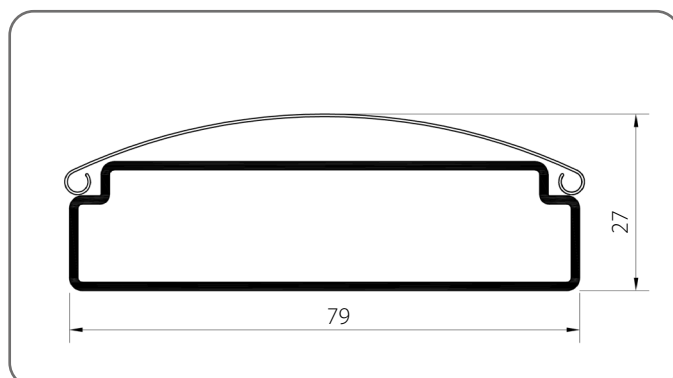
*The slat rotation angle of 180° is an approximate value.

x	Colour	x	Colour	x	Colour	x	Colour
01	silver	21	black grey	33	basalt grey	74B	copper bronze
03B	grey	22B	ultra white	34	quartz grey	75B	metallic grey
09	brown	23B	anthracite grey	37B	grey aluminium	80B	graphite grey
16B	ivory	29	light beige	45	beige satin	82	alpine white
20B	black	31B	light grey	73B	mouse grey		

Open end slat BOA/C80/x

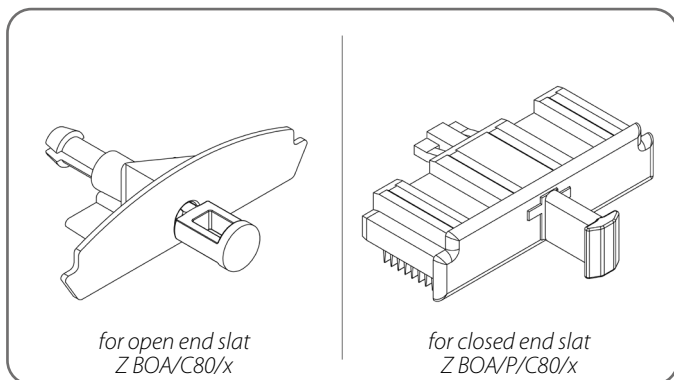


Full end slat BOA/P/C80/x



x	Colour	x	Colour	x	Colour	x	Colour
00	mill finish	21	black grey	34	quartz grey	80B	graphite grey
01	silver	22B	ultra white	37B	grey aluminium	82	alpine white
03B	grey	23B	anthracite grey	45	beige satin	IK	different colour
09	brown	29	light beige	73B	mouse grey		
16B	ivory	31B	light grey	74B	copper bronze		
20B	black	33	szary bazaltowy	75B	metallic grey		

End slat blind

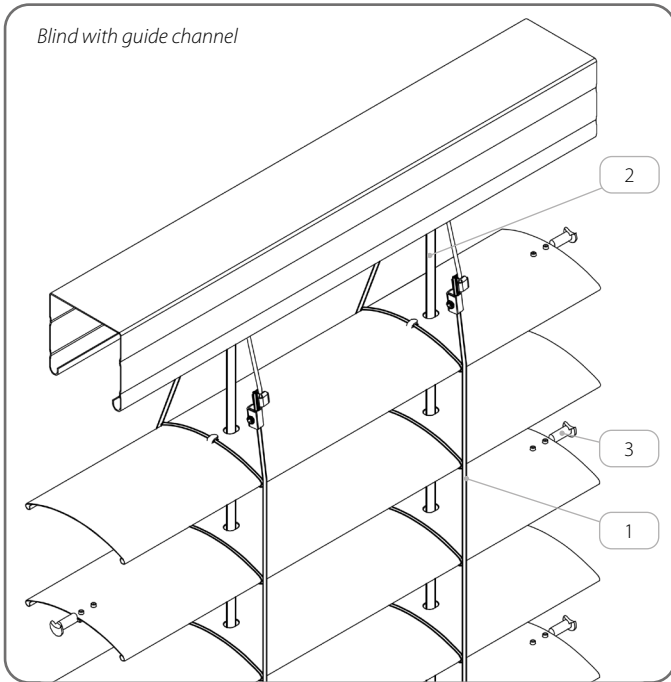


x	Colour
03	grey
20	black

**CATALOGUE - TECHNICAL GUIDE FOR EXTERNAL
VENETIAN BLINDS (FACADE) SZF SKYFLOW SYSTEM**

C 80 / 2. VENETIAN BLIND PACKAGE FOR GUIDE CHANNEL

Additional accessories



	Name of the component	Catalogue code
1.	Ladder braid C 80	D/C80/x
2.	Strap 8 mm	P SZF/8/x
3.	Pin to C 80 - steel	P/S/C80

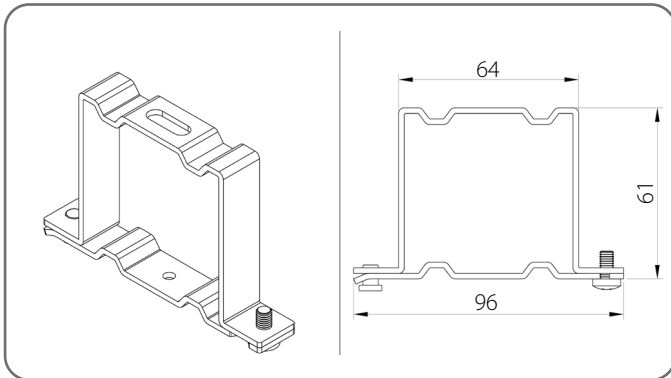
x Colour

03 grey

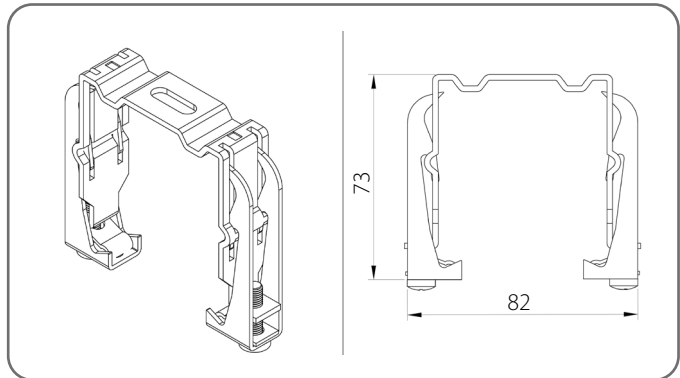
20 black

! Pins are mounted on every other slat for Venetian blinds with guide channels.

Standard guide rail bracket - US/A



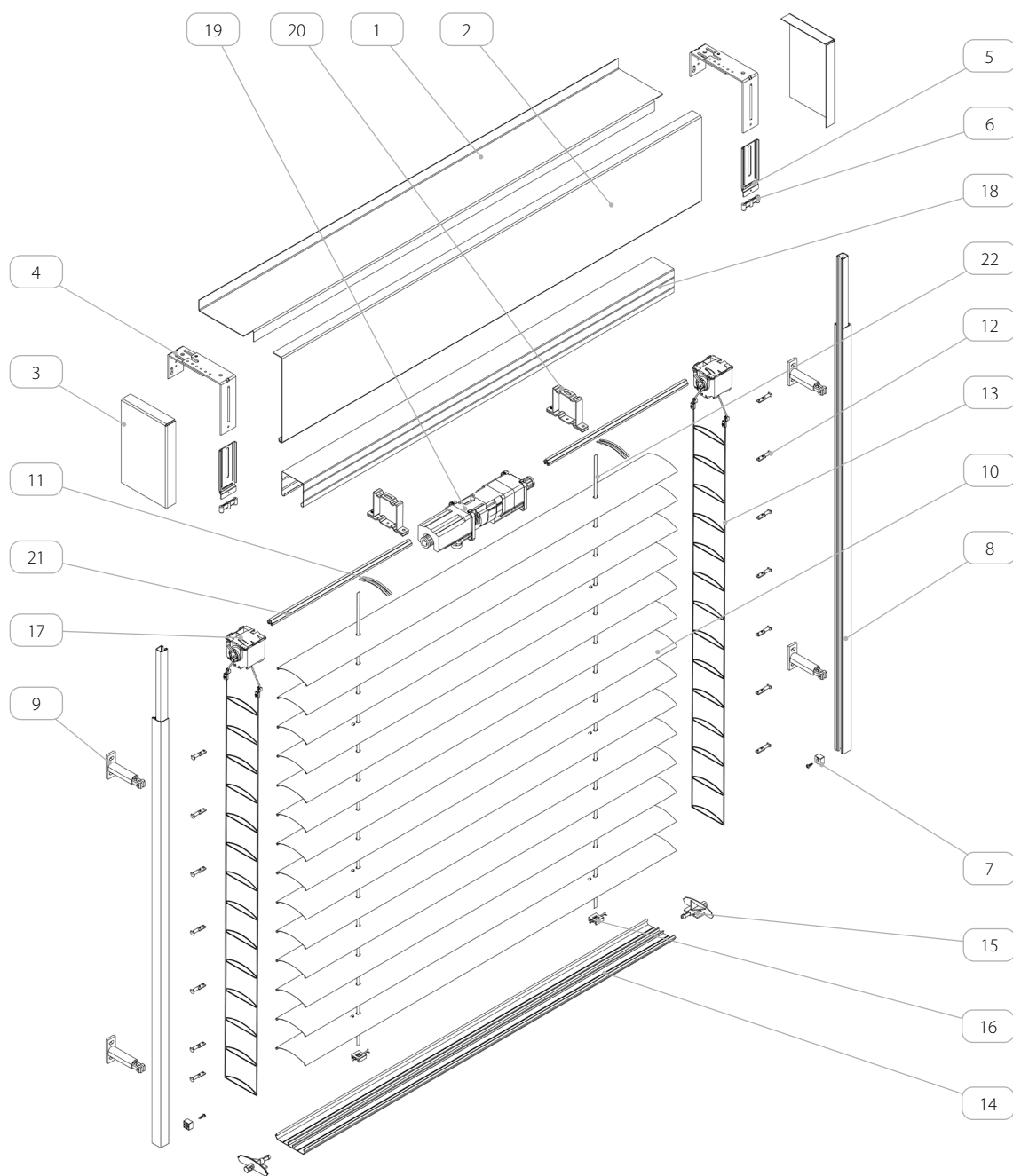
Springy guide rail bracket - US/B



Number of top rail handles

Venetian blind width [mm]	600 - 1600	1601 - 2400	2401 - 3200	3201 - 4000	4001 - 4500
Quantity	2	3	4	5	6

3. ADAPTING BLINDS SZF/A



Name of the component	
1.	Top cover plate
2.	Side cover plate
3.	End cap
4.	Adjustable top handle
5.	Auxiliary handle
6.	Silencing cap
7.	Venetian blind stopper
8.	Guide channel
9.	Guide channel handle
10.	Profile C 80
11.	Slat clip
12.	Pin to C 80
13.	Ladder braid C 80
14.	Bottom rail
15.	Blind for end slat
16.	Lift tape and end slat - connector
17.	Mechanism - 8 mm belt
18.	Steel rail - galvanised
19.	Drive
20.	Guide rail bracket
21.	Shaft 14 mm
22.	Strap 8 mm

CATALOGUE - TECHNICAL GUIDE FOR EXTERNAL VENETIAN BLINDS (FACADE) SZF SkyFlow SYSTEM

C 80 / 3. ADAPTING BLINDS SZF/A

3.1. General information

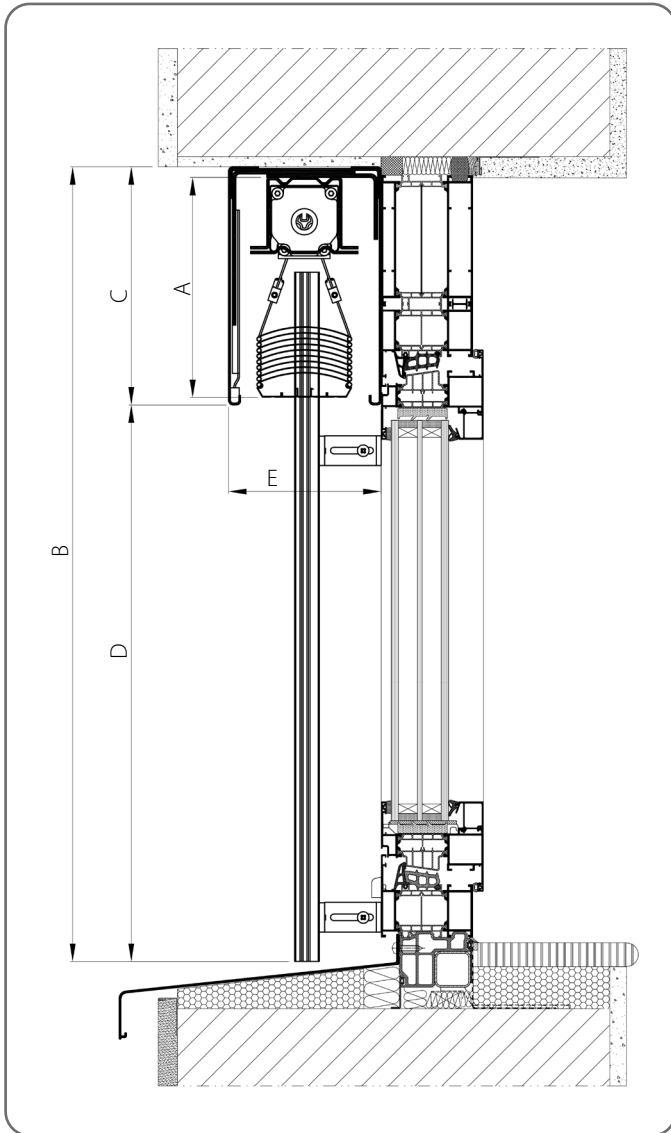
Where:

- A - HEIGHT OF THE PACKAGE [mm]
- B - BLINDS HEIGHT [mm]
- C - COVER HEIGHT [mm]
- D - CLEAR HEIGHT [mm]
- E - INSTALLATION DEPTH [mm]

- M - WIDTH OF THE PACKAGE / SLAT [mm]
- N - VENETIAN BLIND WIDTH [mm]



The measurement and installation of the venetian blind should be performed by a qualified installer.



	A [mm]	B [mm]	Venetian blind with guide and/or cable guide		Venetian blind with cable reinforcement	
			C [mm]	D [mm]	C [mm]	D [mm]
1.	190	600 - 800	200	400 - 800	200	400 - 800
2.	200	801 - 1000				
3.	210	1001 - 1200				
4.	230	1201 - 1400	250	751 - 1550	250	751 - 1550
5.	240	1401 - 1600				
6.	250	1601 - 1800				
7.	260	1801 - 2000				
8.	280	2001 - 2200	300	1501 - 2300	300	1501 - 2300
9.	290	2201 - 2400				
10.	300	2401 - 2600				
11.	310	2601 - 2800	340	2261 - 2860	340	2261 - 2860
12.	320	2801 - 3000				
13.	340	3001 - 3200				
14.	350	3201 - 3400				
15.	360	3401 - 3600	390	2811 - 3410	390	2811 - 3410
16.	370	3601 - 3800				
17.	380	3801 - 4000				
18.	400	4001 - 4200	440	3361 - 3560	440	3361 - 4560
19.	410	4201 - 4400				
20.	420	4401 - 4600	-	-	-	-
21.	430	4601 - 4800	-	-	-	-
22.	440	4801 - 5000	-	-	-	-

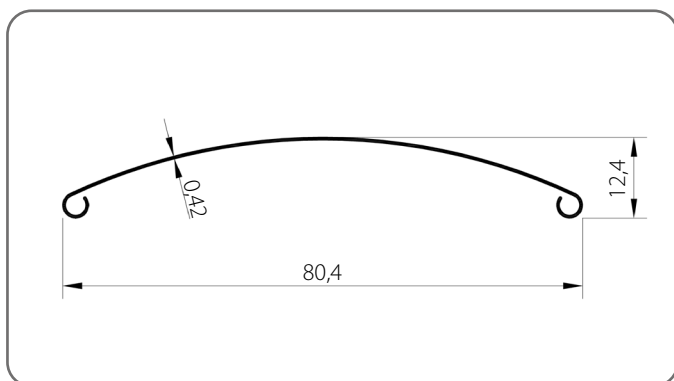
Minimum installation depth E [mm]

Safety plate	End cap	Top handle	
		USG/R/1A USG/R/2A	USG/R/1B USG/R/2B
TYP 1	YES	150	170
	NO	115	170
TYP 2 TYP 2/A	YES	150	175
	NO	125	175
TYP 3	YES	150	170
	NO	150	170
TYP 4 TYP 4/A	YES	150	175
	NO	150	175

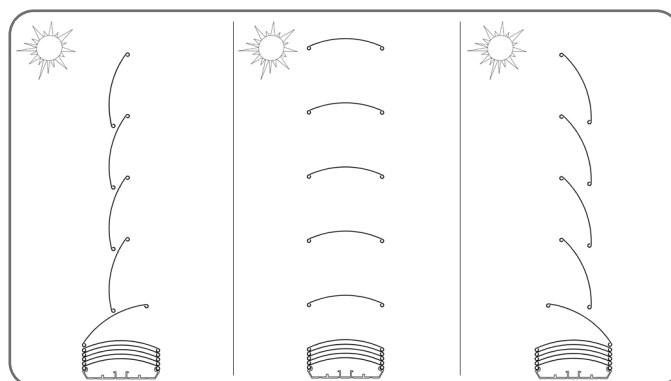
**CATALOGUE - TECHNICAL GUIDE FOR EXTERNAL
VENETIAN BLINDS (FACADE) SZF SkyFLOW SYSTEM**

C 80 / 3. ADAPTING BLINDS SZF/A

Slat C 80/x



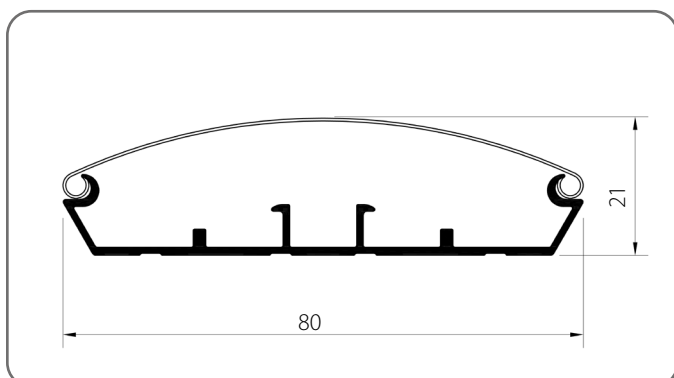
Slats rotation range - 180°*



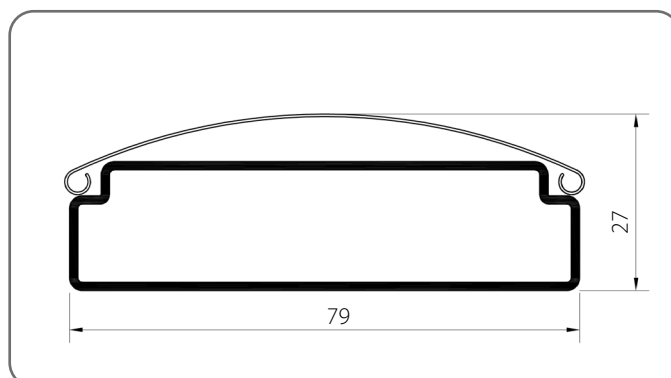
*The slat rotation angle of 180° is an approximate value.

x	Colour	x	Colour	x	Colour	x	Colour
01	silver	21	black grey	33	basalt grey	74B	copper bronze
03B	grey	22B	ultra white	34	quartz grey	75B	metallic grey
09	brown	23B	anthracite grey	37B	grey aluminium	80B	graphite grey
16B	ivory	29	light beige	45	beige satin	82	alpine white
20B	black	31B	light grey	73B	mouse grey		

Open end slat BOA/C80/x

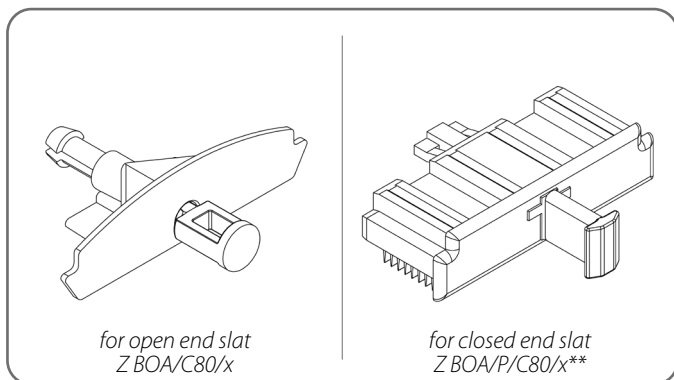


Full end slat BOA/P/C80/x**



x	Colour	x	Colour	x	Colour	x	Colour
00	mill finish	21	black grey	34	quartz grey	80B	graphite grey
01	silver	22B	ultra white	37B	grey aluminium	82	alpine white
03B	grey	23B	anthracite grey	45	beige satin	IK	different colour
09	brown	29	light beige	73B	mouse grey		
16B	ivory	31B	light grey	74B	copper bronze		
20B	black	33	basalt grey	75B	metallic grey		

End slat blind



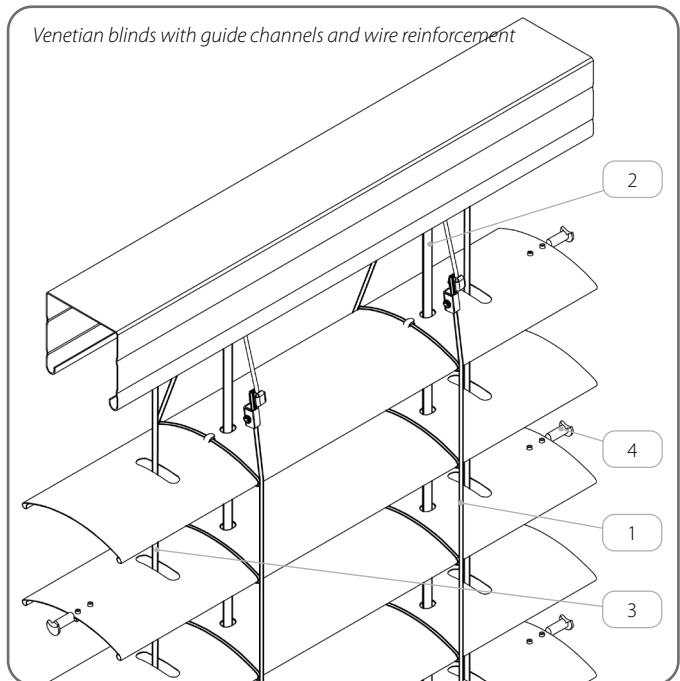
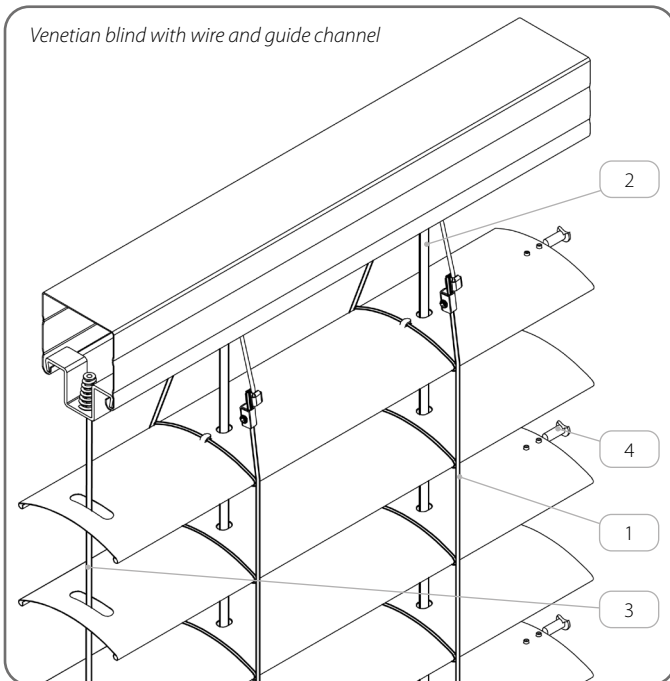
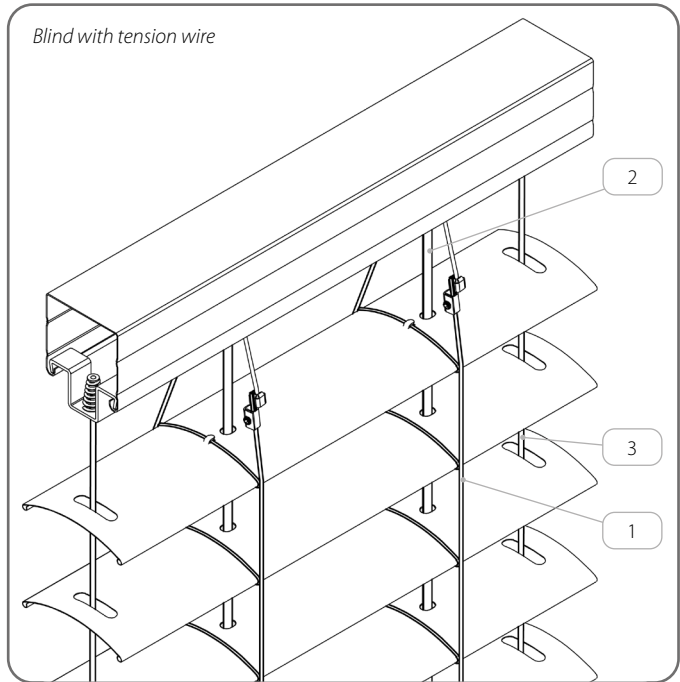
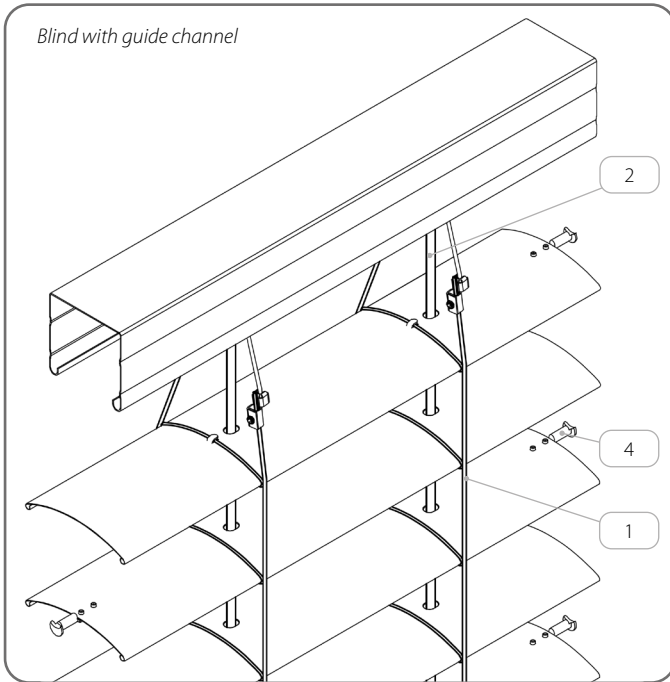
x	Colour
03	grey
20	black

** Cannot be used with cable guidance.

**CATALOGUE - TECHNICAL GUIDE FOR EXTERNAL
VENETIAN BLINDS (FACADE) SZF SKYFLOW SYSTEM**

C 80 / 3. ADAPTING BLINDS SZF/A

Additional accessories

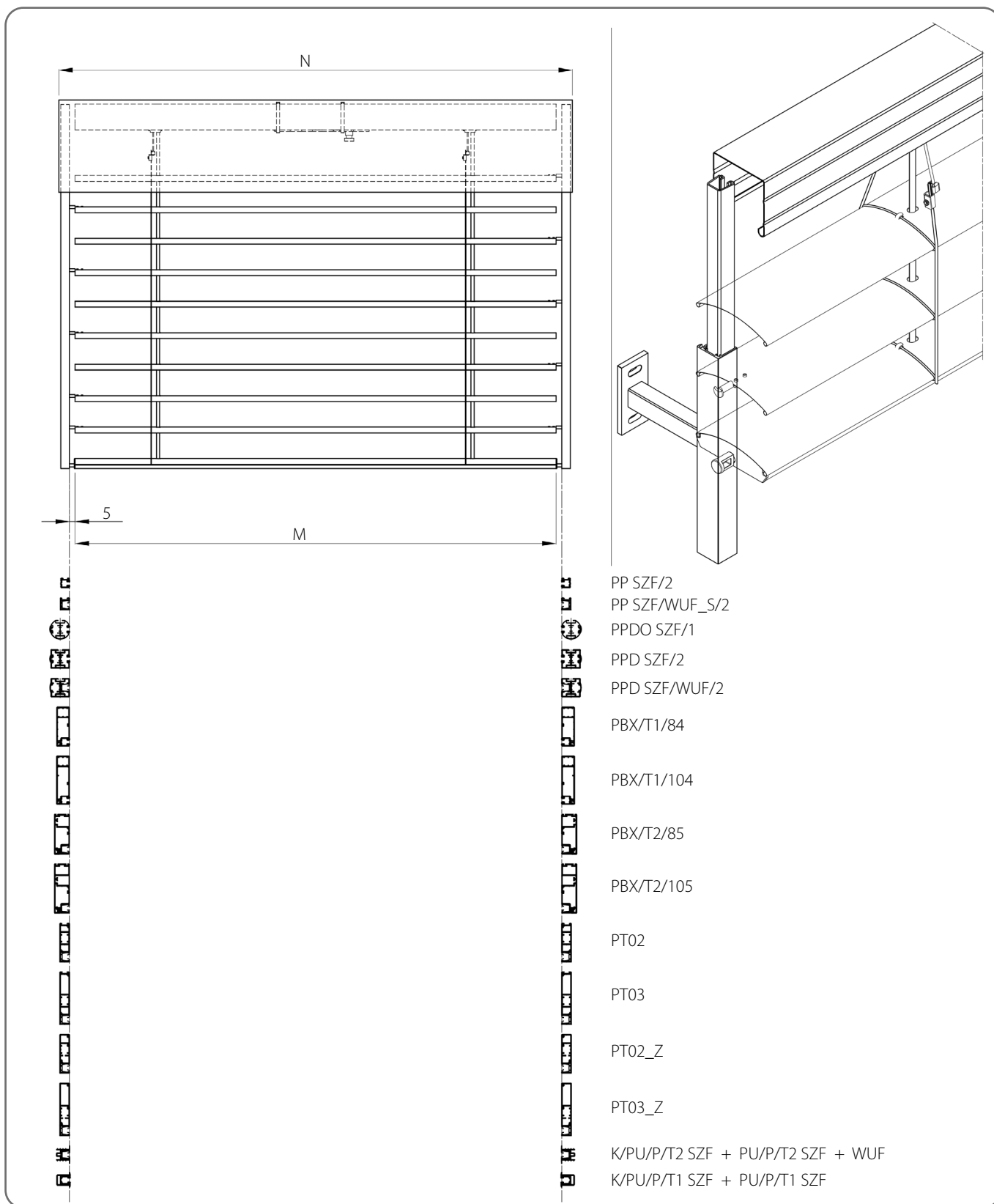


	Name of the component	Catalogue code
1.	Ladder braid C 80	D/C80/x
2.	Strap 8 mm	P SZF/8/x
3.	Steel wire Ø 3, PVC coated	LS SZF/3/x
4.	Pin to C 80 - steel	P/S/C80

x	Colour
03	grey
20	black

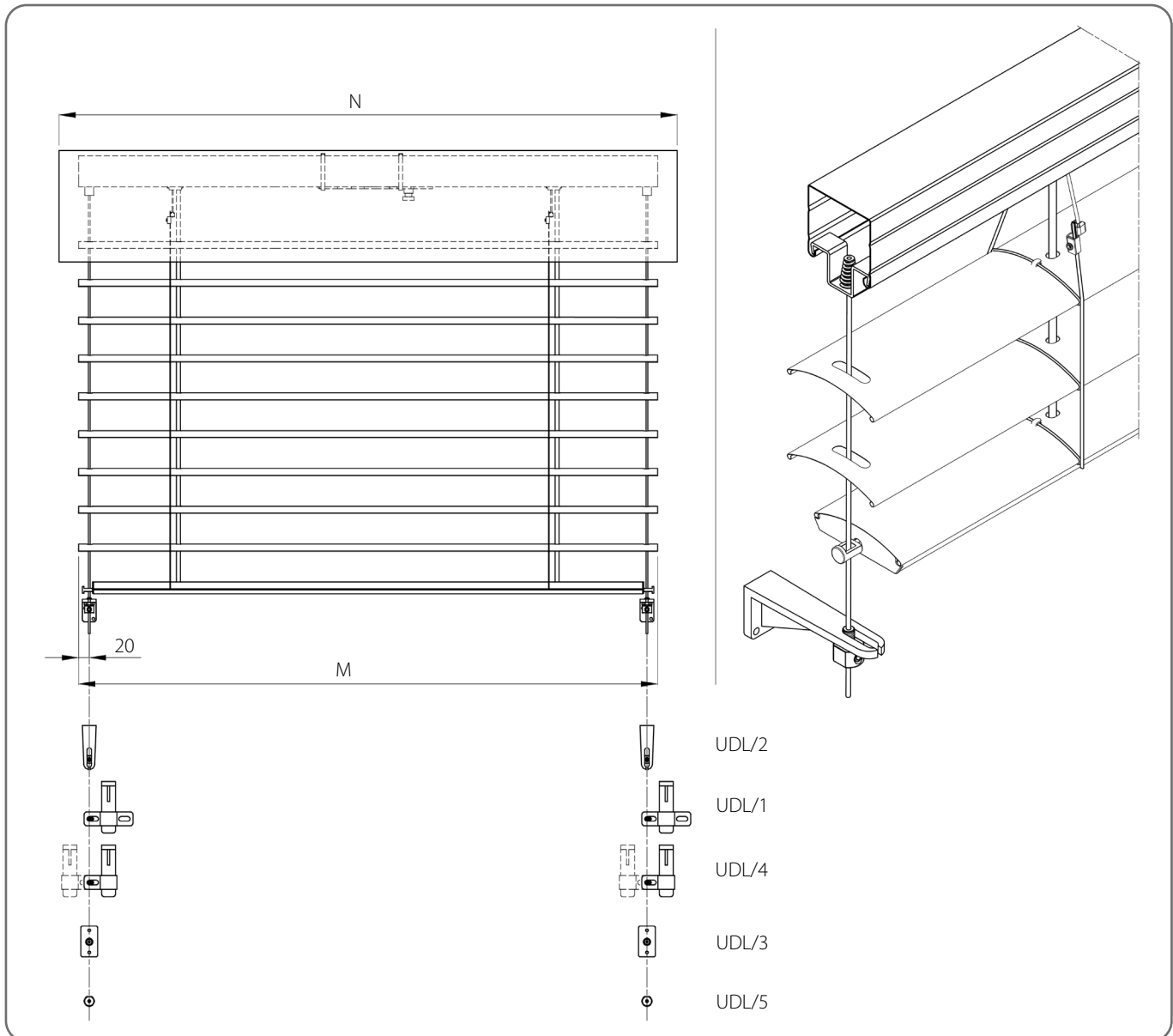
! Pins are mounted on every other slat for Venetian blinds with guide channels.

3.1.1. Blind with guide channel



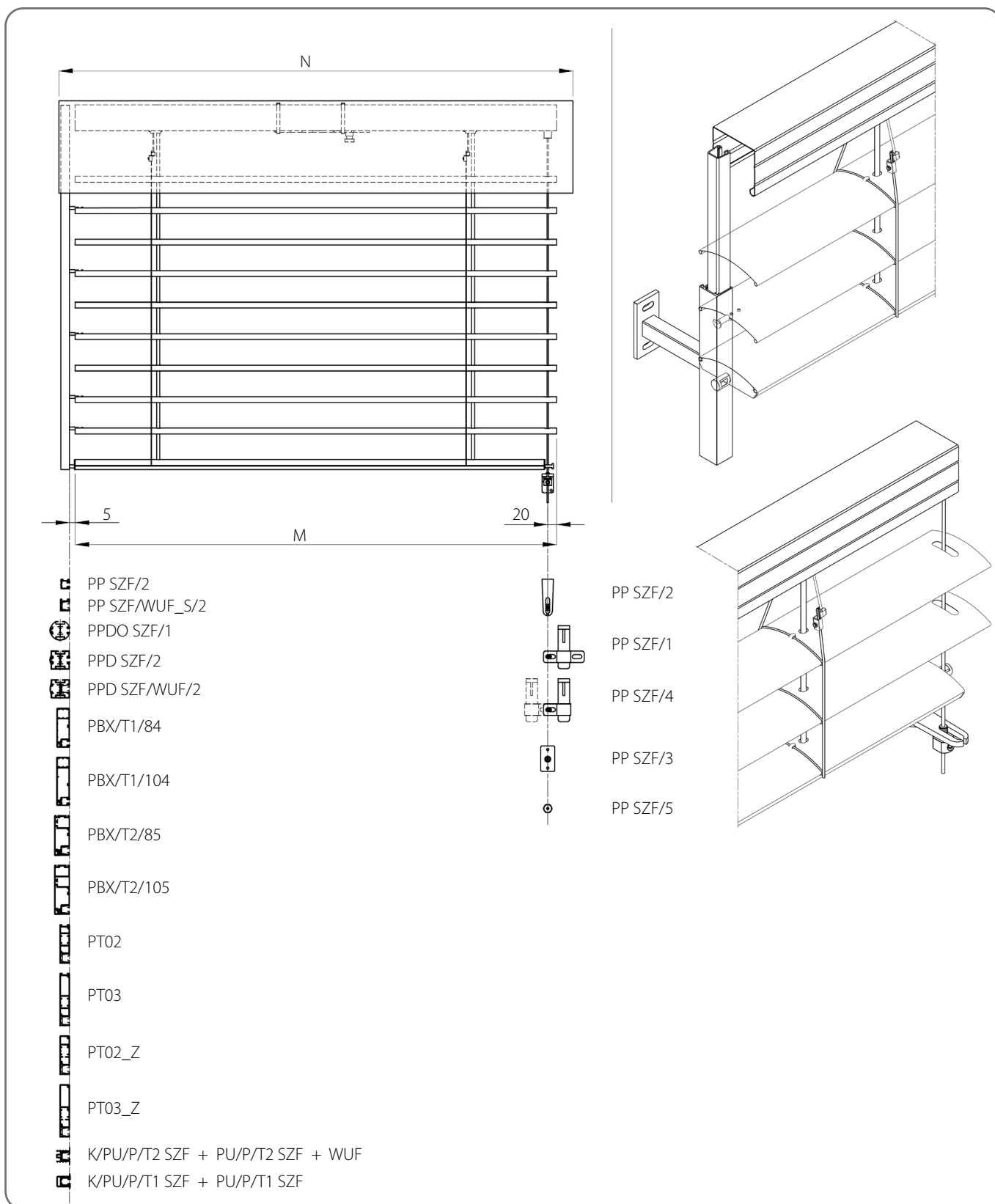
Technical specifications									
Minimum		Maximum		Maximum surface [m ²]	Corner blinds	Electric drive	Motor with emergency opening	Manual drive	Installation
Width [mm]	Height [mm]	Width [mm]	Height [mm]						
600	600	4500	4000	18	YES	YES	YES	YES	External

3.1.2. Blind with tension wire



Technical specifications								
Minimum		Maximum	Maximum surface [m ²]	Corner blinds	Electric drive	Motor with emergency opening	Manual drive	Installation
Width [mm]	Height [mm]	Width x Height [mm]						
600	600	3000 x 4000 4000 x 2500	12	NO	YES	YES	YES	External

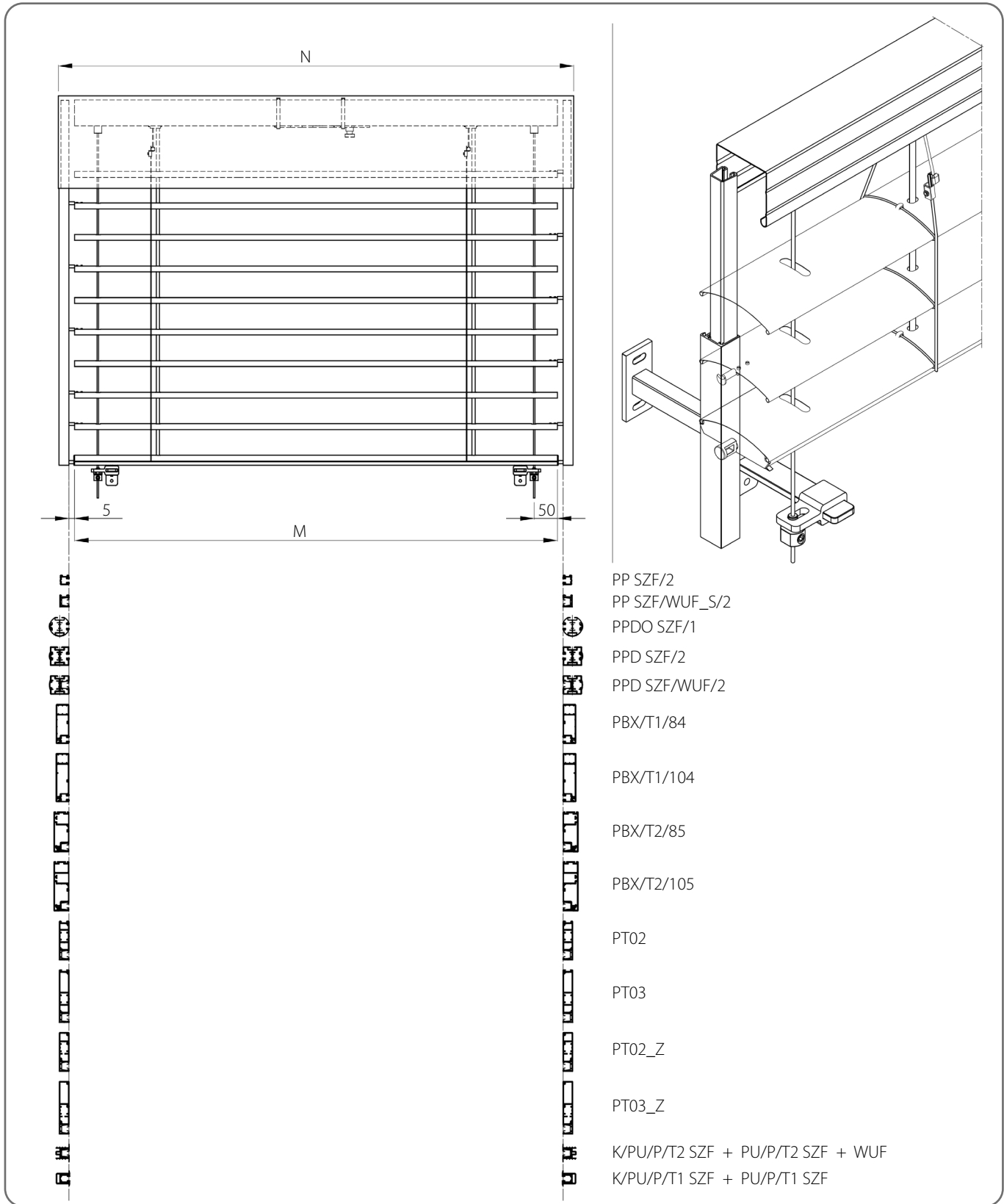
3.1.3. Venetian blind with wire and guide channel



Technical specifications

Minimum		Maximum	Maximum surface [m ²]	Corner blinds	Electric drive	Motor with emergency opening	Manual drive	Installation
Width [mm]	Height [mm]	Width x Height [mm]						
600	600	3000 x 4000 4000 x 2500	12	YES	YES	YES	YES	External

3.1.4. Venetian blinds with guide channels and wire reinforcement



Technical specifications

Minimum		Maximum		Maximum surface [m ²]	Corner blinds	Electric drive	Motor with emergency opening	Manual drive	Installation
Width [mm]	Height [mm]	Width [mm]	Height [mm]						
600	600	5000	5000	25	YES	YES	YES	YES	External

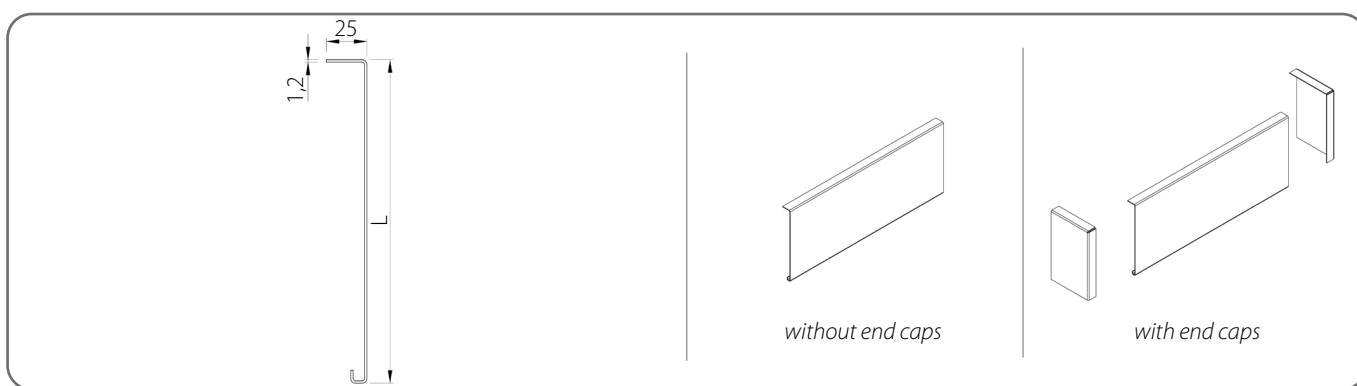
3.2. Cover plate

⚠ It is possible to configure the blinds without the cover plate.

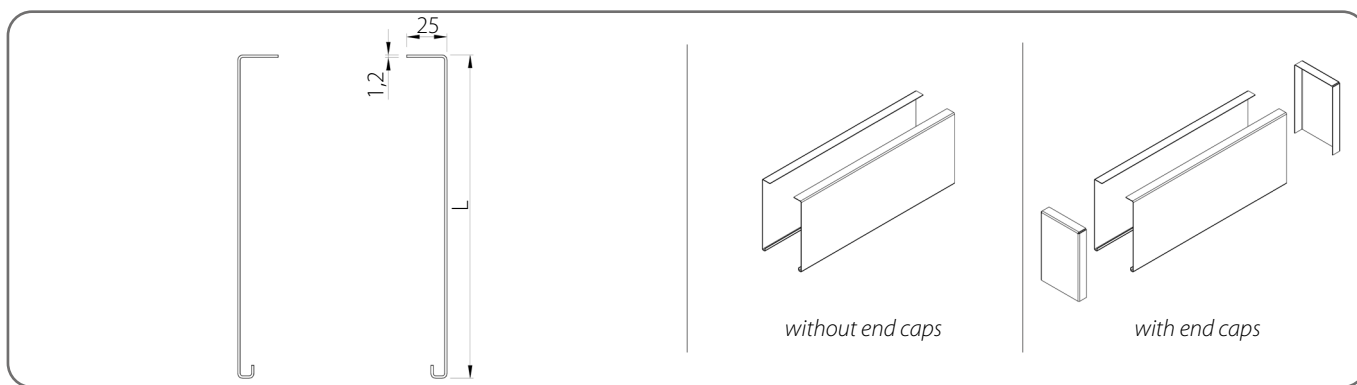
⚠ Maximum width for a single element - 4 m. It is possible to connect boxes.

x	Colour	x	Colour	x	Colour	x	Colour
00	mill finish	21	black grey	34	quartz grey	80B	graphite grey
01	silver	22B	ultra white	37B	grey aluminium	82	alpine white
03B	grey	23B	anthracite grey	45	beige satin	IK	different colour
09	brown	29	light beige	73B	mouse grey		
16B	ivory	31B	light grey	74B	copper bronze		
20B	black	33	basalt grey	75B	metallic grey		

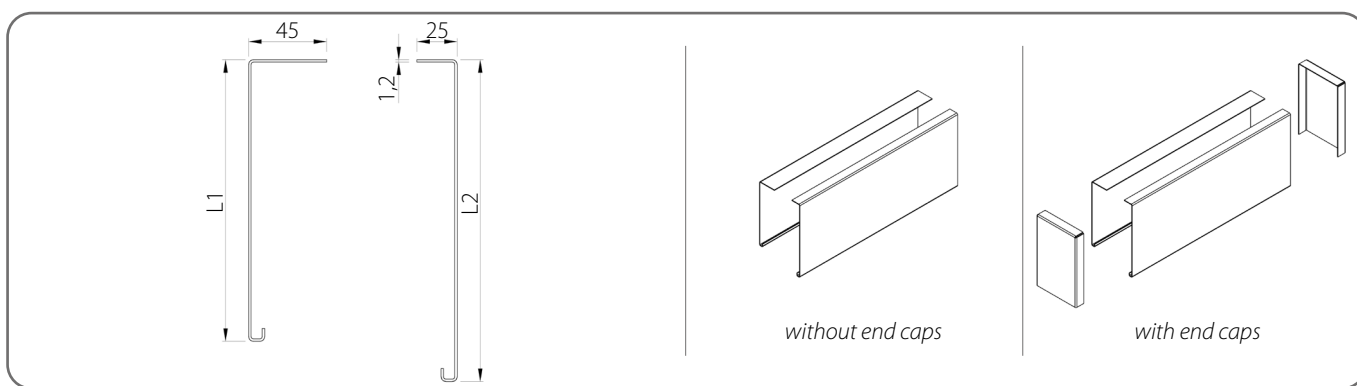
TYPE 1 cover plate



TYPE 2 cover plate



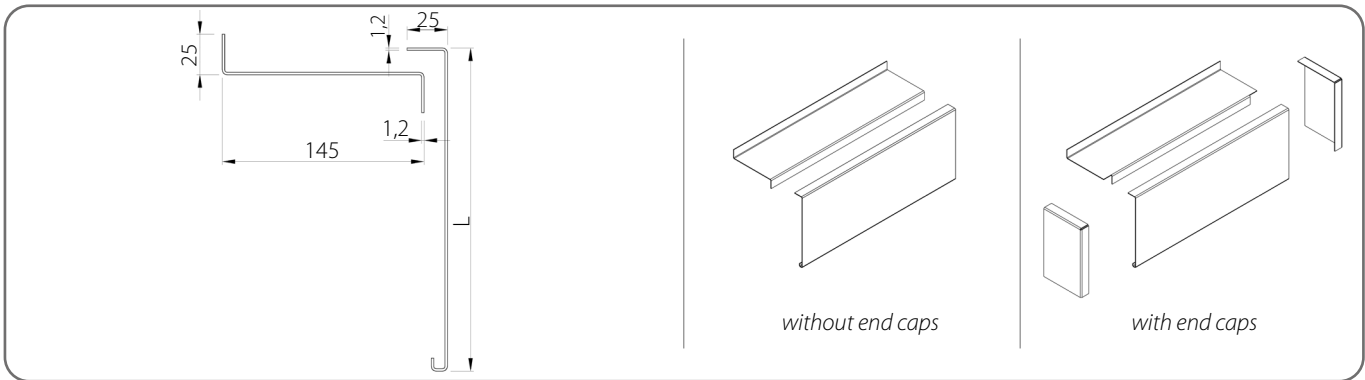
TYPE 2 cover plate/A



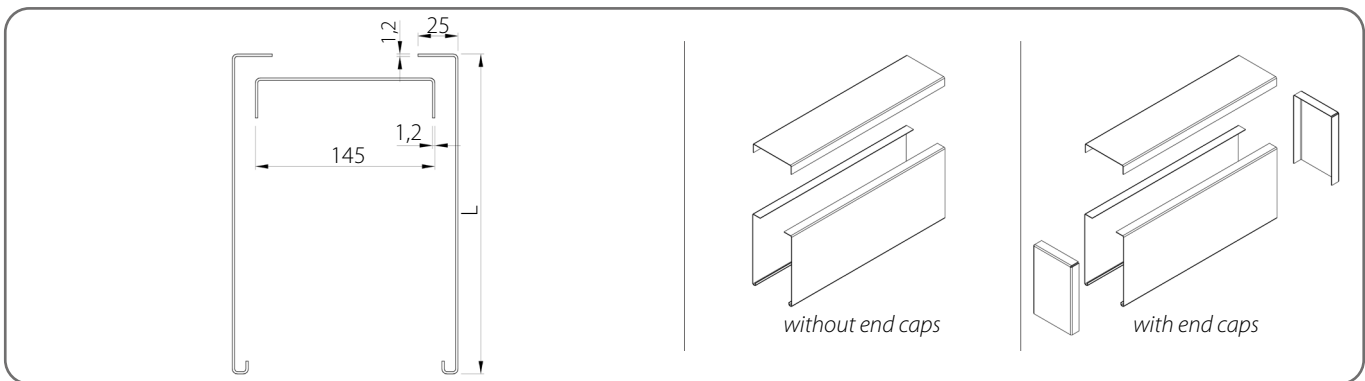
**CATALOGUE - TECHNICAL GUIDE FOR EXTERNAL
VENETIAN BLINDS (FACADE) SZF SKYFLOW SYSTEM**

C 80 / 3. ADAPTING BLINDS SZF/A

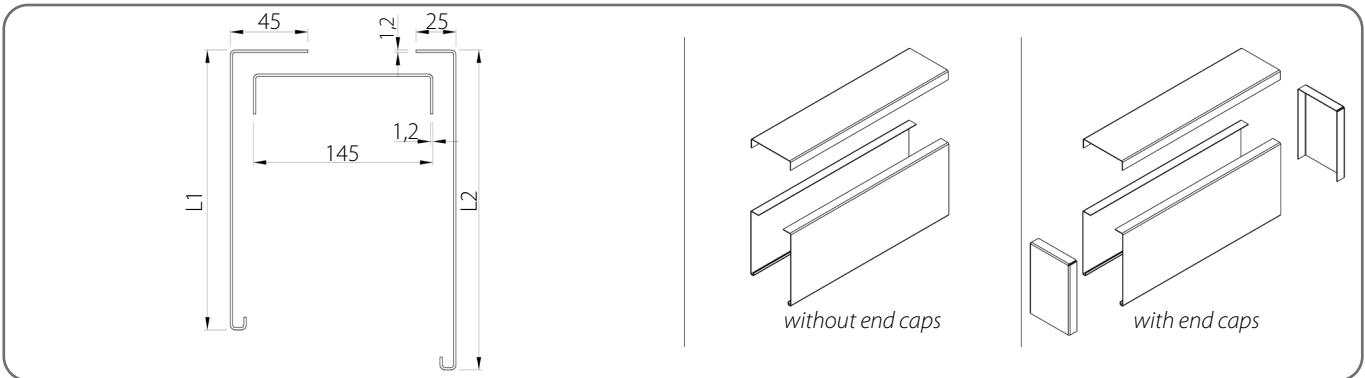
TYPE 3 cover plate



TYPE 4 cover plate



TYPE 4 cover plate/A



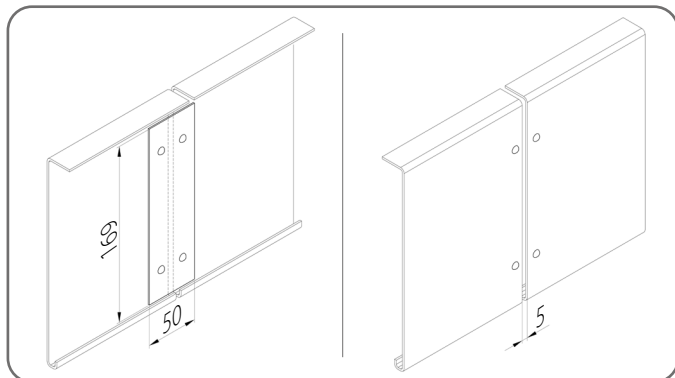
	L [mm]	L1 [mm]	L2 [mm]
1.	200	180	200
2.	250	230	250
3.	300	280	300
4.	340	320	340
5.	390	370	390
6.	440	420	440

CATALOGUE - TECHNICAL GUIDE FOR EXTERNAL VENETIAN BLINDS (FACADE) SZF SkyFlow SYSTEM

C 80 / 3. ADAPTING BLINDS SZF/A

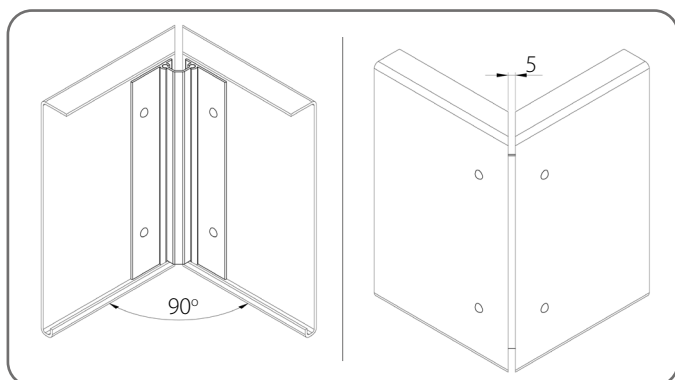
3.2.1. Joining cover plate

Serial connection



Number of connectors LPS/150 [pcs.]			
Plate height [mm]	Safety plate for end cap type		
	TYPE 1, TYPE 3	TYPE 2, TYPE 2/A, TYPE 4, TYPE 4/A	
1. 200 - 300	1	2	
2. 340 - 440	2	4	

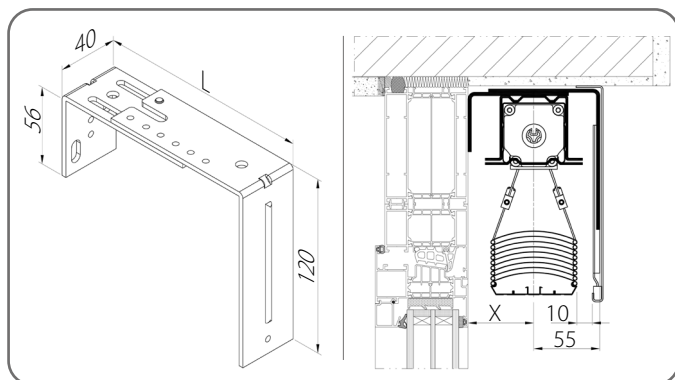
Corner joining



Number of connectors LRS [set]				
Catalogue code	Plate height [mm]	Safety plate for end cap type		
		TYPE 1, TYPE 3	TYPE 2, TYPE 2/A, TYPE 4, TYPE 4/A	
1. LRS/200	200	1	1	
2. LRS/250	250	1	1	
3. LRS/300	300	1	1	
4. LRS/340	340	1	1	
5. LRS/390	390	1	1	
6. LRS/440	440	1	1	

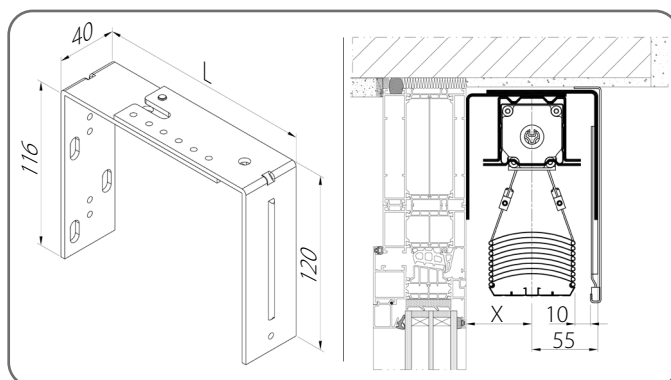
3.3. Top handle

USG/R/1



Catalogue code	X [mm]	L [mm]
1. USG/R/1A	53 - 108	108 - 163
2. USG/R/1B	98 - 170	153 - 225

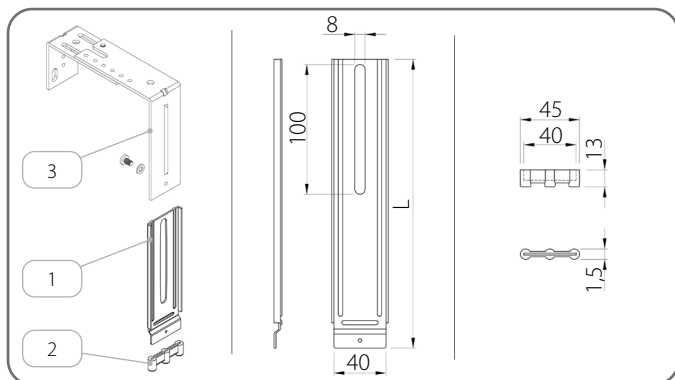
USG/R/2



Catalogue code	X [mm]	L [mm]
1. USG/R/2A	53 - 108	108 - 163
2. USG/R/2B	98 - 170	153 - 225

Number of handles [pcs.]						
Safety plate for end cap type	Venetian blind width [mm]					
	600 - 1600	1601 - 2400	2401 - 3200	3201 - 4000	4001 - 4500	4501 - 5000
TYPE 1, TYPE 3	2	3	4	5	6	7
TYPE 2, TYPE 2/A, TYPE 4, TYPE 4/A	4	6	8	10	12	14

3.4. Auxiliary handle

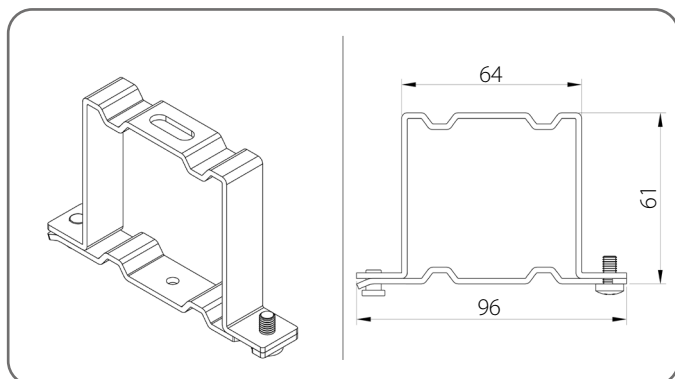


Auxiliary handle			
	Catalogue code	L [mm]	Box height [mm]
1.	UPS/140	143	200
2.	UPS/220	223	250
3.	UPS/220	223	300
4.	UPS/300	303	340
5.	UPS/300	303	390
6.	UPS/380	383	440

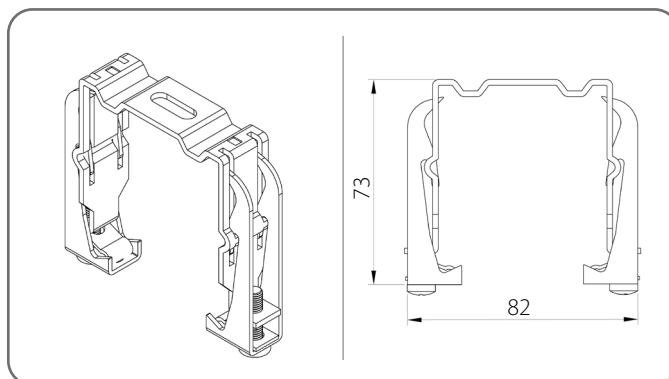
	Name of the component
1.	Auxiliary handle
2.	Silencing cap
3.	Top handle

3.5. Top guide rail bracket

Standard guide rail bracket - US/A



Springy guide rail bracket - US/B



Number of top rail handles						
Venetian blind width [mm]	600 - 1600	1601 - 2400	2401 - 3200	3201 - 4000	4001 - 4500	4501 - 5000
Quantity	2	3	4	5	6	7

3.6. Other information

Blinds height [mm]	Slat width [mm]						
	1400	2400	3400	4400	5000	-	-
600 - 2500	1400	2400	3400	4400	5000	-	-
2501 - 3000	1300	2200	3100	4000	4900	5000	-
3001 - 4500	1200	2000	2800	3600	4400	5000	-
4501 - 5000	1100	1800	2500	3200	3900	4600	5000
Number of strap mechanisms	2	3	4	5	6	7	8

Guide channel handle					
Blinds height [mm]	600 - 1600	1601 - 2600	2601 - 3600	3601 - 4600	4601 - 5000
Number of handles [for 1 pcs guide channel]	2	3	4	5	6

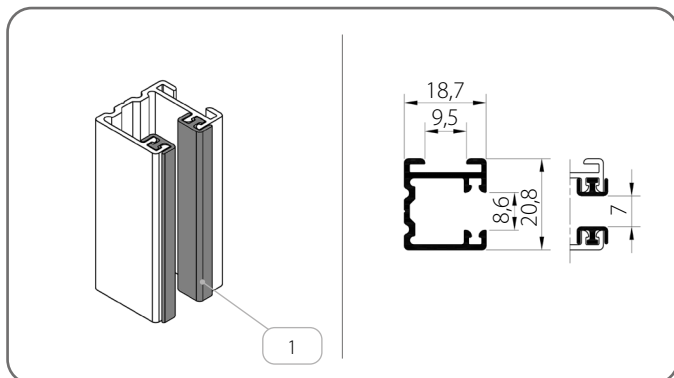
**CATALOGUE - TECHNICAL GUIDE FOR EXTERNAL
VENETIAN BLINDS (FACADE) SZF SkyFLOW SYSTEM**

C 80 / 3. ADAPTING BLINDS SZF/A

3.7. Guide channels

3.7.1. Guide channels - I Group

PP SZF/2/x

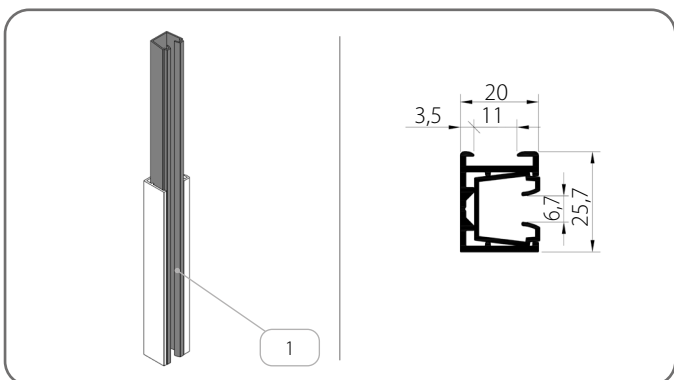


	Name of the component	Colour
1.	Damping seal	20 - black

x	Colour	x	Colour	x	Colour	x	Colour
00	mill finish	21	black grey	34	quartz grey	80B	graphite grey
01	silver	22B	ultra white	37B	grey aluminium	82	alpine white
03B	grey	23B	anthracite grey	45	beige satin	IK	different colour
09	brown	29	light beige	73B	mouse grey		
16B	ivory	31B	light grey	74B	copper bronze		
20B	black	33	basalt grey	75B	metallic grey		

3.7.2. Guide channels - Group II

PP SZF/WUF_S/2/x

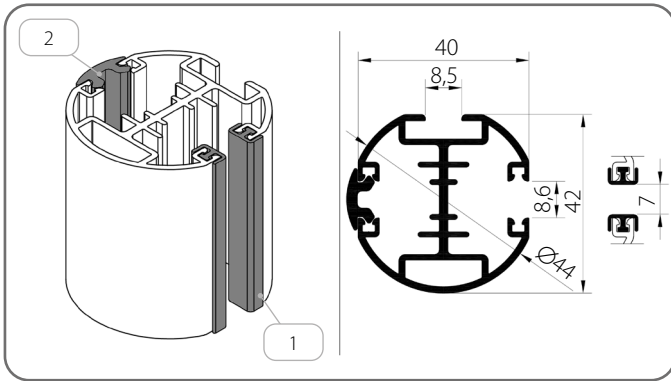


	Name of the component	Colour
1.	Guide channels insert	03 - grey 20 - black

x	Colour	x	Colour	x	Colour	x	Colour
00	mill finish	21	black grey	34	quartz grey	80B	graphite grey
01	silver	22B	ultra white	37B	grey aluminium	82	alpine white
03B	grey	23B	anthracite grey	45	beige satin	IK	different colour
09	brown	29	light beige	73B	mouse grey		
16B	ivory	31B	light grey	74B	copper bronze		
20B	black	33	basalt grey	75B	metallic grey		

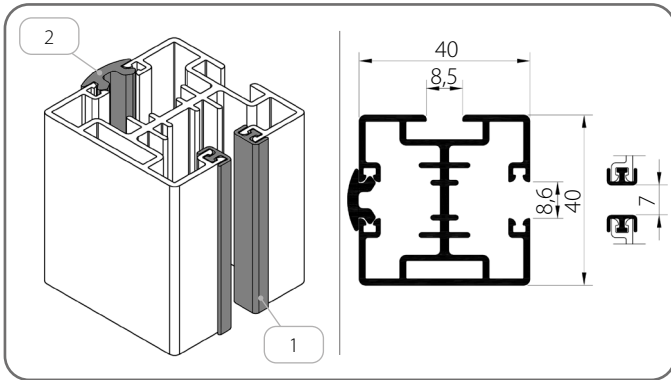
3.7.3. Guide channels - Group III

PPDO SZF/1/x



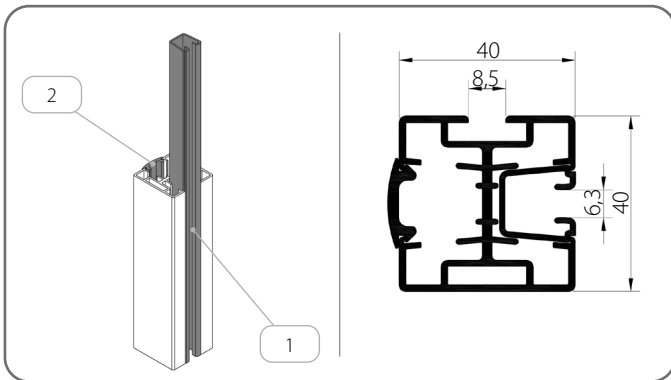
	Name of the component	Colour
1.	Damping seal	20 - black
2.	Masking seal	03 - grey 20 - black

PPD SZF/2/x



	Name of the component	Colour
1.	Damping seal	20 - black
2.	Masking seal	03 - grey 20 - black

PPD SZF/WUF/2/x

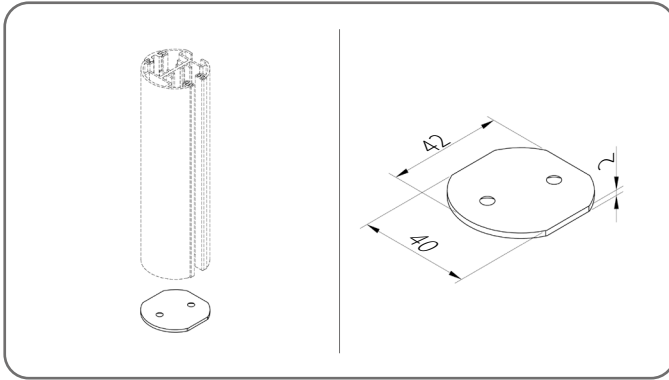


	Name of the component	Colour
1.	Guide channels insert	20 - black
2.	Masking seal	03 - grey 20 - black

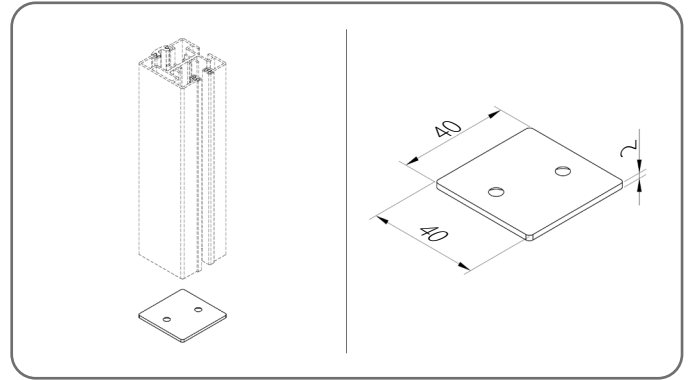
x	Colour	x	Colour	x	Colour	x	Colour
00	mill finish	21	black grey	34	quartz grey	80B	graphite grey
01	silver	22B	ultra white	37B	grey aluminium	82	alpine white
03B	grey	23B	anthracite grey	45	beige satin	IK	different colour
09	brown	29	light beige	73B	mouse grey		
16B	ivory	31B	light grey	74B	copper bronze		
20B	black	33	basalt grey	75B	metallic grey		

3.7.3.1. Guide channel side lock


ZPPDO SZF/1



ZPPD SZF/2

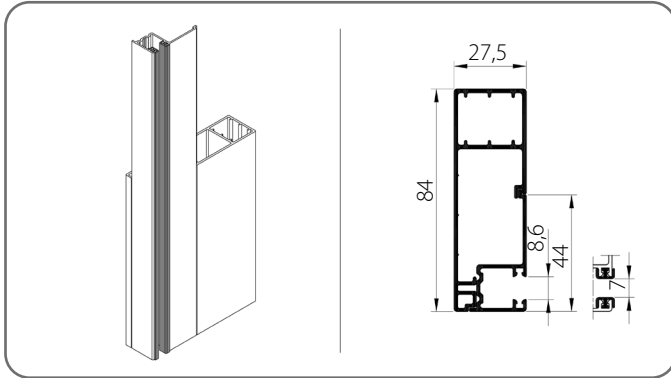


x	Colour	x	Colour	x	Colour	x	Colour
00	mill finish	21	black grey	34	quartz grey	80B	graphite grey
01	silver	22B	ultra white	37B	grey aluminium	82	alpine white
03B	grey	23B	anthracite grey	45	beige satin	IK	different colour
09	brown	29	light beige	73B	mouse grey		
16B	ivory	31B	light grey	74B	copper bronze		
20B	black	33	basalt grey	75B	metallic grey		

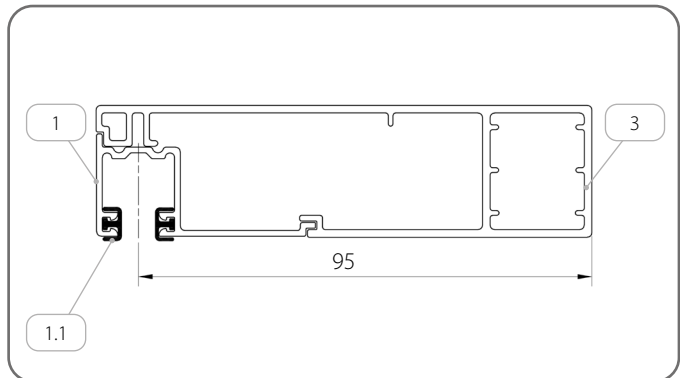
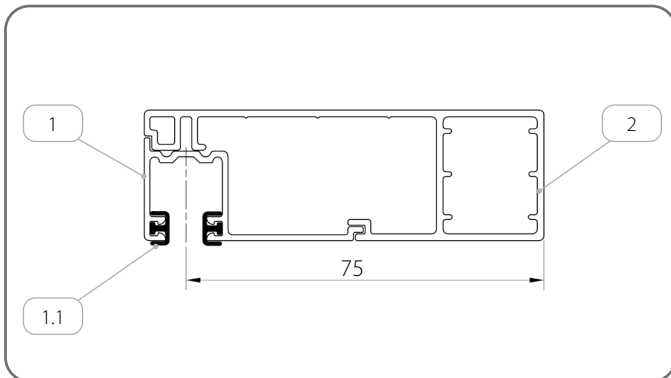
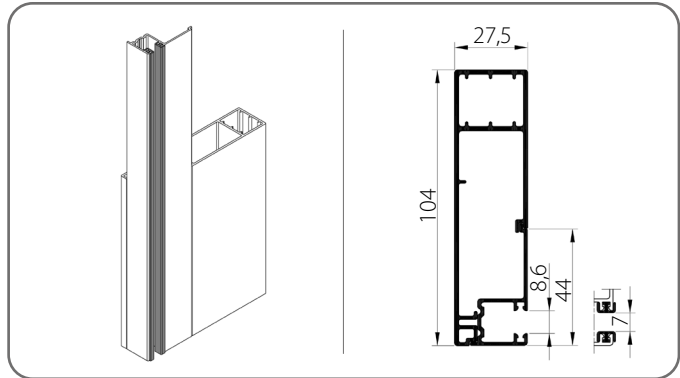
 Aluminium side lock.

3.7.4. Guide channels - Group IV

PBX/T1/84/x



PBX/T1/104/x



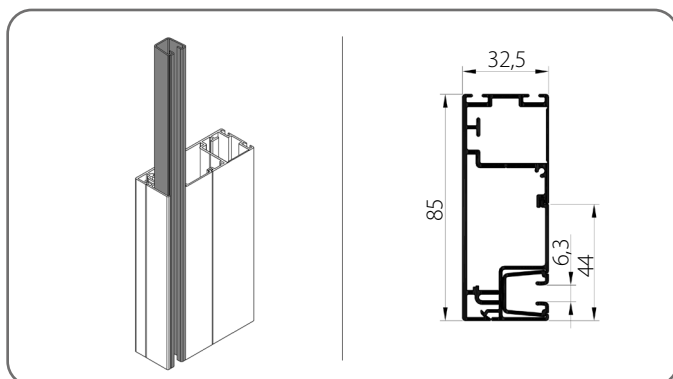
	Name of the component	Colour	Catalogue code
1.	Guide channel	x	PPF/x
1.1.	Damping seal	20 - black	-
2.	Guide channel adaptor	x	APPF/x
3.	Guide channel adaptor	x	APPF/104/x

x	Colour	x	Colour	x	Colour	x	Colour
00	mill finish	21	black grey	34	quartz grey	80B	graphite grey
01	silver	22B	ultra white	37B	grey aluminium	82	alpine white
03B	grey	23B	anthracite grey	45	beige satin	IK	different colour
09	brown	29	light beige	73B	mouse grey		
16B	ivory	31B	light grey	74B	copper bronze		
20B	black	33	basalt grey	75B	metallic grey		

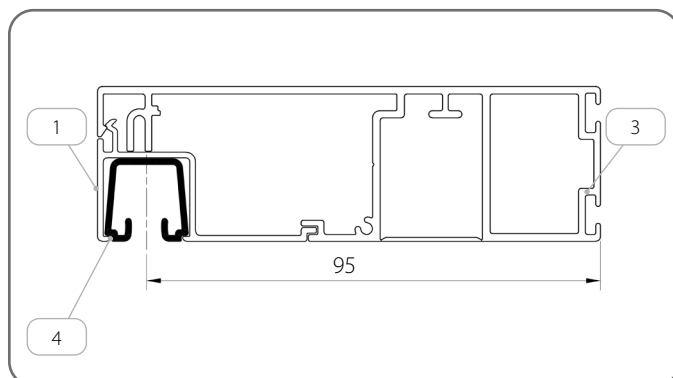
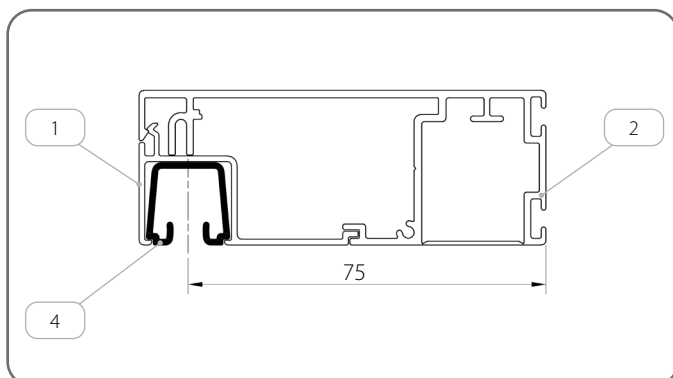
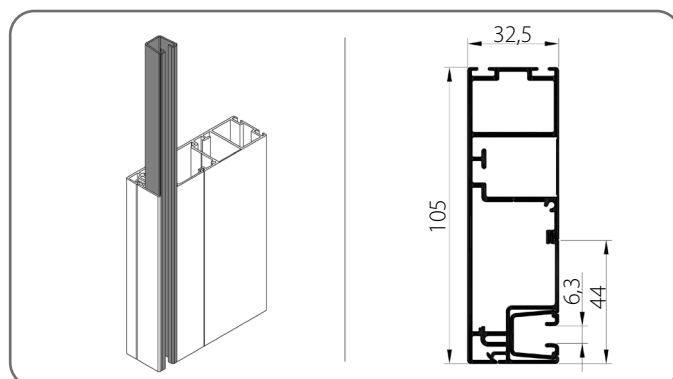
**CATALOGUE - TECHNICAL GUIDE FOR EXTERNAL
VENETIAN BLINDS (FACADE) SZF SkyFLOW SYSTEM**

C 80 / 3. ADAPTING BLINDS SZF/A

PBX/T2/85/x



PBX/T2/105/x

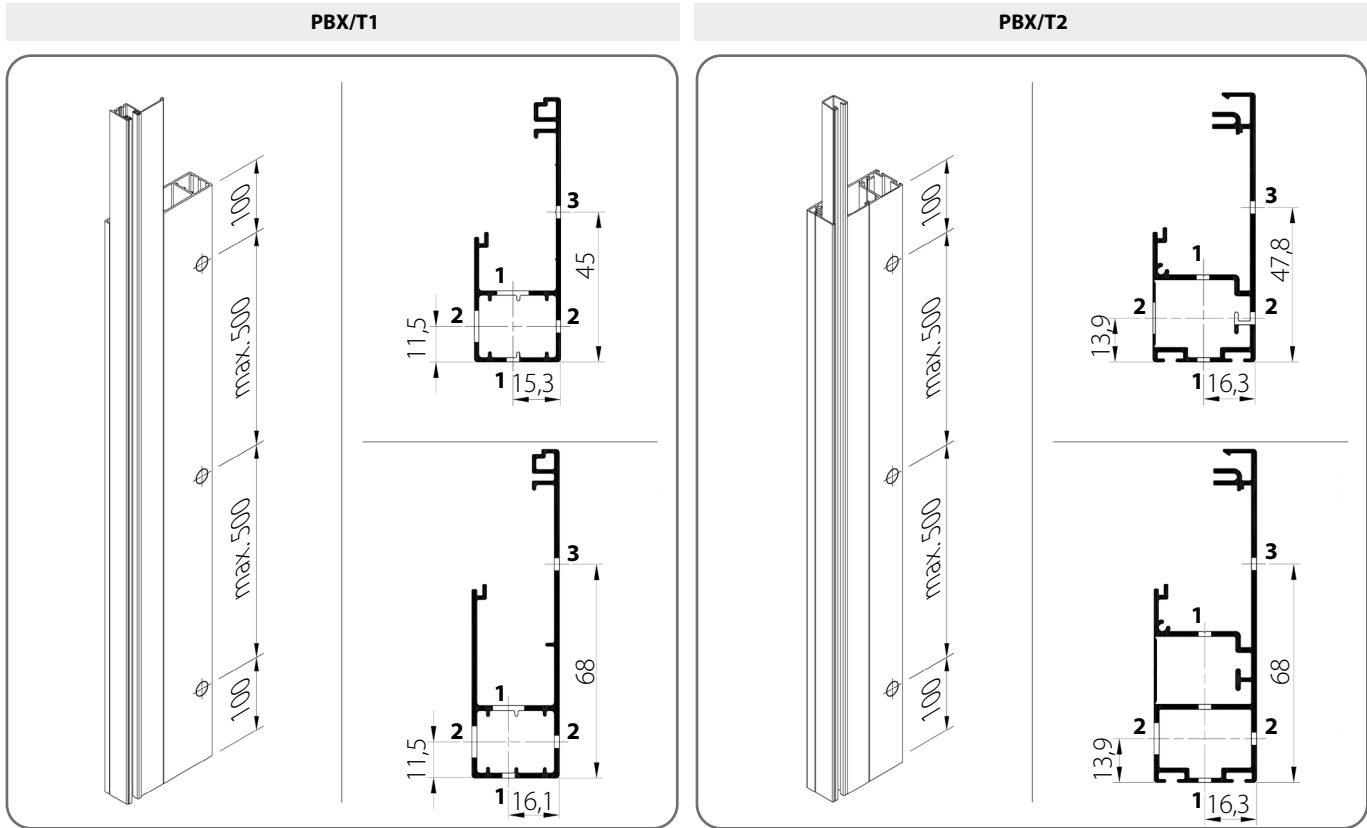


	Name of the component	Colour	Catalogue code
1.	Guide channel	x	PWUFx
2.	Guide channel adaptor	x	APWUF/85/x
3.	Guide channel adaptor	x	APWUF/105/x
4.	Guide channels insert	20 - black	WUF

x	Colour	x	Colour	x	Colour	x	Colour
00	mill finish	21	black grey	34	quartz grey	80B	graphite grey
01	silver	22B	ultra white	37B	grey aluminium	82	alpine white
03B	grey	23B	anthracite grey	45	beige satin	IK	different colour
09	brown	29	light beige	73B	mouse grey		
16B	ivory	31B	light grey	74B	copper bronze		
20B	black	33	basalt grey	75B	metallic grey		

3.7.4.1. Drilling guide channels

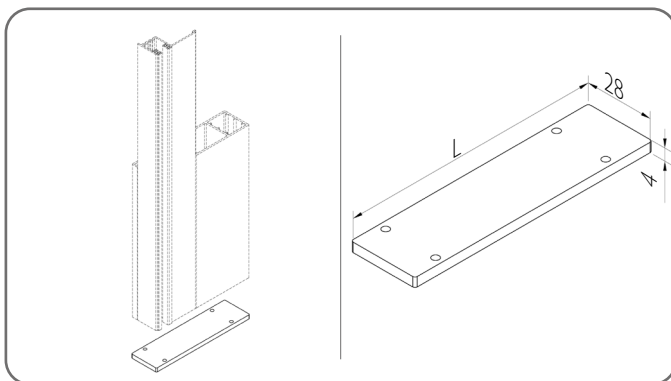
 It is possible to order a guide channel with pre-drilled mounting holes in accordance with the diagram.



3.7.4.2. Guide channel side lock

Aluminium side lock.

For guide channels type BX/T1



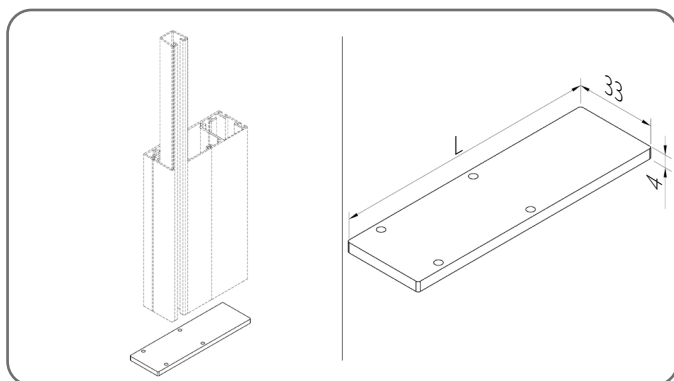
	Catalogue code	L [mm]
1.	ZAPBX/T1/84/x	85
2.	ZAPBX/T1/104/x	105

x	Colour	x	Colour	x	Colour	x	Colour
00	mill finish	21	black grey	34	quartz grey	80B	graphite grey
01	silver	22B	ultra white	37B	grey aluminium	82	alpine white
03B	grey	23B	anthracite grey	45	beige satin	IK	different colour
09	brown	29	light beige	73B	mouse grey		
16B	ivory	31B	light grey	74B	copper bronze		
20B	black	33	basalt grey	75B	metallic grey		

**CATALOGUE - TECHNICAL GUIDE FOR EXTERNAL
VENETIAN BLINDS (FACADE) SZF SkyFLOW SYSTEM**

C 80 / 3. ADAPTING BLINDS SZF/A

For guide channels type BX/T2

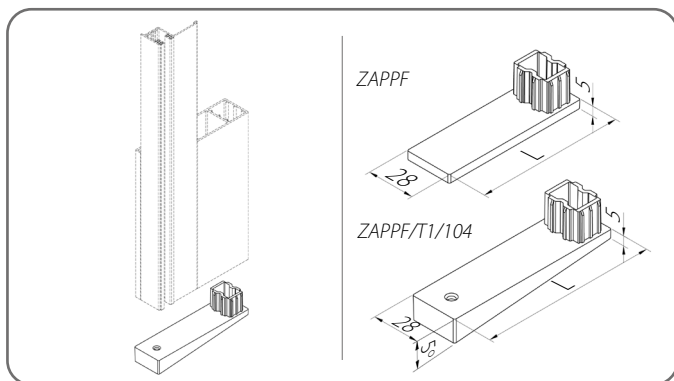


	Catalogue code	L [mm]
1.	ZAPBX/T2/85/x	86
2.	ZAPBX/T2/105/x	106

x	Colour	x	Colour	x	Colour	x	Colour
00	mill finish	21	black grey	34	quartz grey	80B	graphite grey
01	silver	22B	ultra white	37B	grey aluminium	82	alpine white
03B	grey	23B	anthracite grey	45	beige satin	IK	different colour
09	brown	29	light beige	73B	mouse grey		
16B	ivory	31B	light grey	74B	copper bronze		
20B	black	33	basalt grey	75B	metallic grey		

PVC side lock.

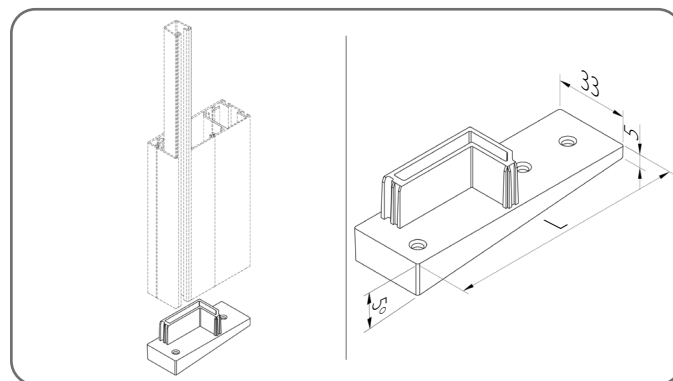
For guide channels type BX/T1



	Catalogue code	L [mm]
1.	ZAPPF/x	85
2.	ZAPPF/T1/104/x	105

x	Colour	x	Colour	x	Colour	x	Colour
01	silver	20B	black	31B	light grey	74B	copper bronze
03B	grey	21	black grey	34	quartz grey	75B	metallic grey
09	brown	22B	ultra white	37B	grey aluminium		
16B	ivory	23B	anthracite grey	73B	mouse grey		

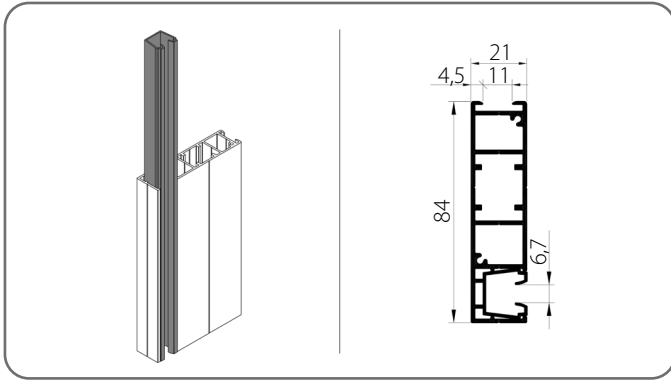
For guide channels type BX/T2



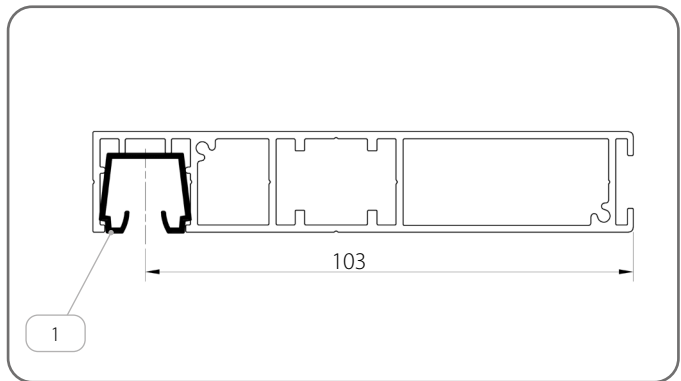
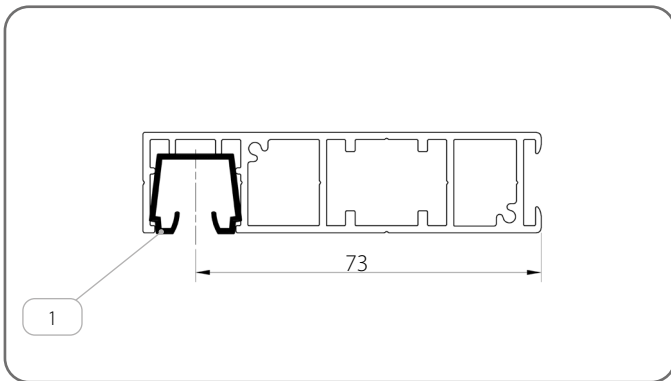
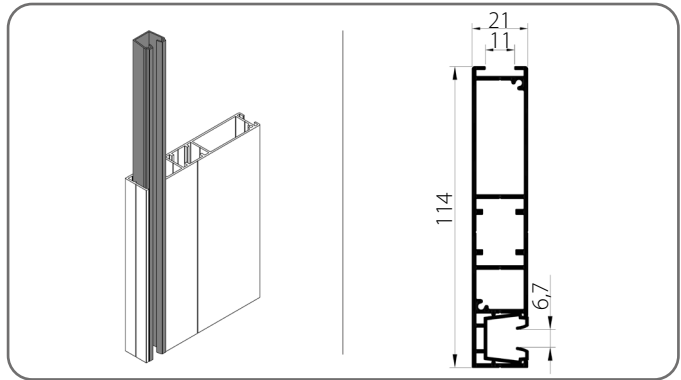
	Catalogue code	L [mm]	Guide channel
1.	ZPBX/T2/x	86	PBX/T2/85
		106	PBX/T2/105

3.7.5. Guide channels - Group V

PT02/x



PT03/x

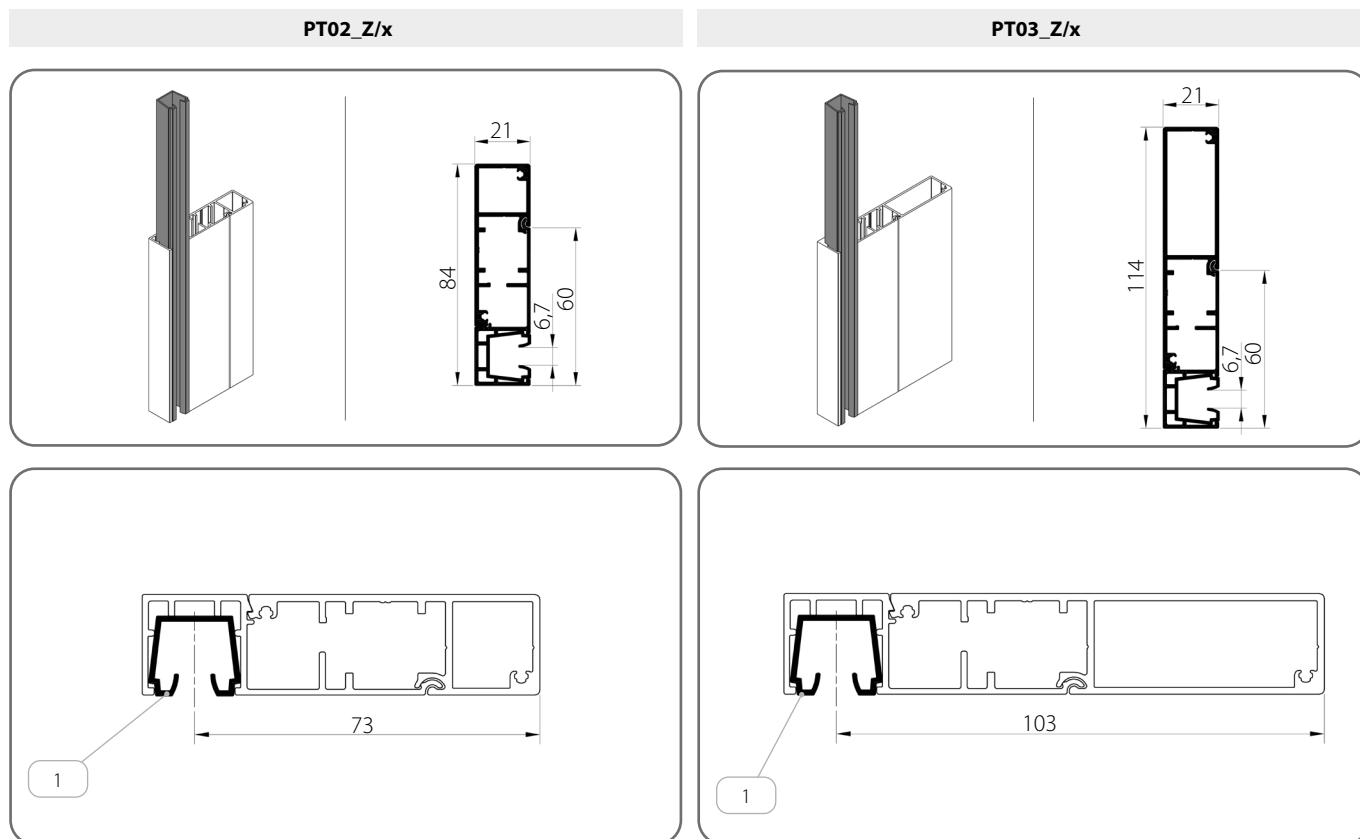


Name of the component		Colour
1.	Guide channels insert	03 - grey 20 - black

x	Colour	x	Colour	x	Colour	x	Colour
00	mill finish	21	black grey	34	quartz grey	80B	graphite grey
01	silver	22B	ultra white	37B	grey aluminium	82	alpine white
03B	grey	23B	anthracite grey	45	beige satin	IK	different colour
09	brown	29	light beige	73B	mouse grey		
16B	ivory	31B	light grey	74B	copper bronze		
20B	black	33	basalt grey	75B	metallic grey		

**CATALOGUE - TECHNICAL GUIDE FOR EXTERNAL
VENETIAN BLINDS (FACADE) SZF SkyFLOW SYSTEM**

C 80 / 3. ADAPTING BLINDS SZF/A

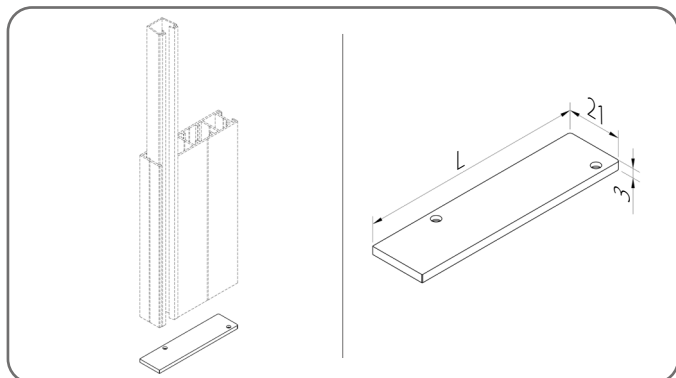


Name of the component		Colour
1.	Guide channels insert	03 - grey 20 - black

x	Colour	x	Colour	x	Colour	x	Colour
00	mill finish	21	black grey	34	quartz grey	80B	graphite grey
01	silver	22B	ultra white	37B	grey aluminium	82	alpine white
03B	grey	23B	anthracite grey	45	beige satin	IK	different colour
09	brown	29	light beige	73B	mouse grey		
16B	ivory	31B	light grey	74B	copper bronze		
20B	black	33	basalt grey	75B	metallic grey		

3.7.5.1. Guide channel side lock

For guide channels type PT

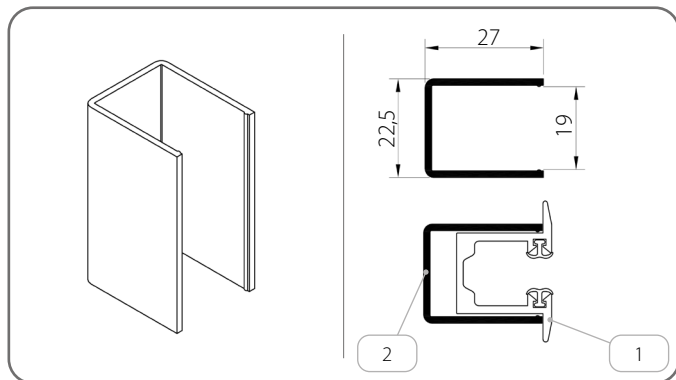


	Catalogue code	L [mm]
1.	ZPT02/x	83,5
2.	ZPT03/x	113
3.	ZPT02_Z/x	83,5
4.	ZPT03_Z/x	113,5

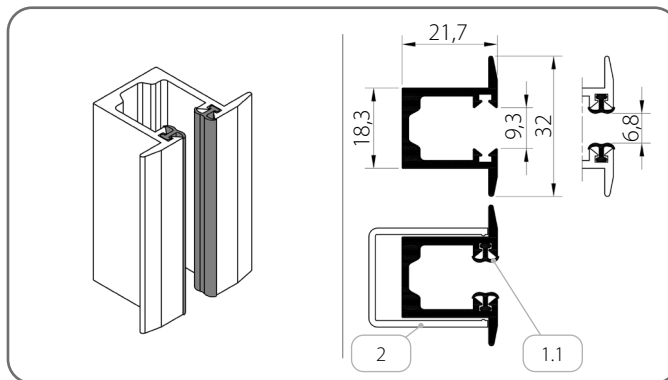
x	Colour	x	Colour	x	Colour	x	Colour
00	mill finish	21	black grey	34	quartz grey	80B	graphite grey
01	silver	22B	ultra white	37B	grey aluminium	82	alpine white
03B	grey	23B	anthracite grey	45	beige satin	IK	different colour
09	brown	29	light beige	73B	mouse grey		
16B	ivory	31B	light grey	74B	copper bronze		
20B	black	33	basalt grey	75B	metallic grey		

3.7.6. Guide channels - Group VI

K/PU/P/T1 SZF



PU/P/T1 SZF/x

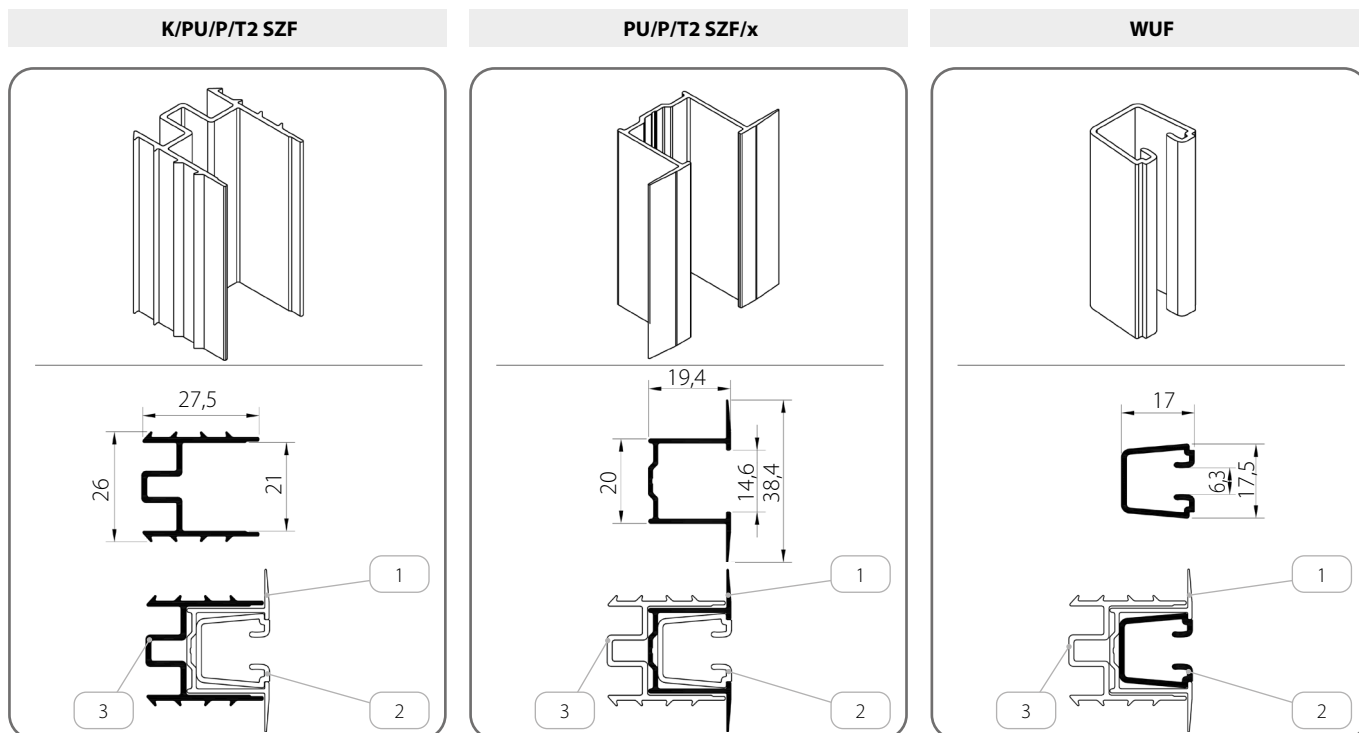


	Name of the component	Colour	Catalogue code
1.	Under plaster simple guide channel	x	PU/P/T1 SZF/x
1.1.	Damping seal	20 - black	-
2.	Under plaster simple guide channel pocket	-	K/PU/P/T1 SZF

x	Colour	x	Colour	x	Colour	x	Colour
00	mill finish	21	black grey	34	quartz grey	80B	graphite grey
01	silver	22B	ultra white	37B	grey aluminium	82	alpine white
03B	grey	23B	anthracite grey	45	beige satin	IK	different colour
09	brown	29	light beige	73B	mouse grey		
16B	ivory	31B	light grey	74B	copper bronze		
20B	black	33	basalt grey	75B	metallic grey		

**CATALOGUE - TECHNICAL GUIDE FOR EXTERNAL
VENETIAN BLINDS (FACADE) SZF SkyFLOW SYSTEM**

C 80 / 3. ADAPTING BLINDS SZF/A

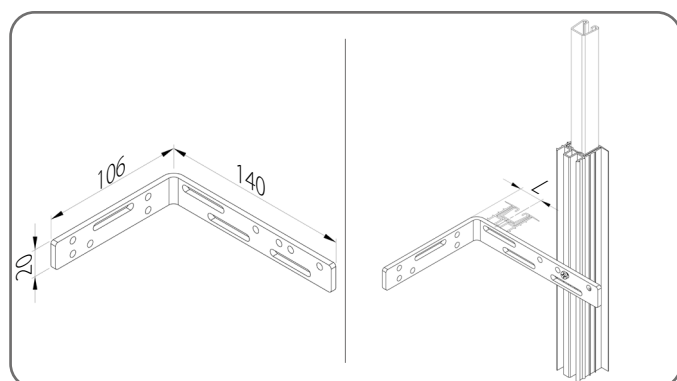


	Name of the component	Colour	Catalogue code
1.	Under plaster simple guide channel	x	PU/P/T2 SZF/x
2.	Guide channels insert	20 - black	WUF
3.	Under plaster simple guide channel pocket	-	K/PU/P/T2 SZF

x	Colour	x	Colour	x	Colour	x	Colour
00	mill finish	21	black grey	34	quartz grey	80B	graphite grey
01	silver	22B	ultra white	37B	grey aluminium	82	alpine white
03B	grey	23B	anthracite grey	45	beige satin	IK	different colour
09	brown	29	light beige	73B	mouse grey		
16B	ivory	31B	light grey	74B	copper bronze		
20B	black	33	basalt grey	75B	metallic grey		

3.7.6.1. Mounting angle

KMK/140x100



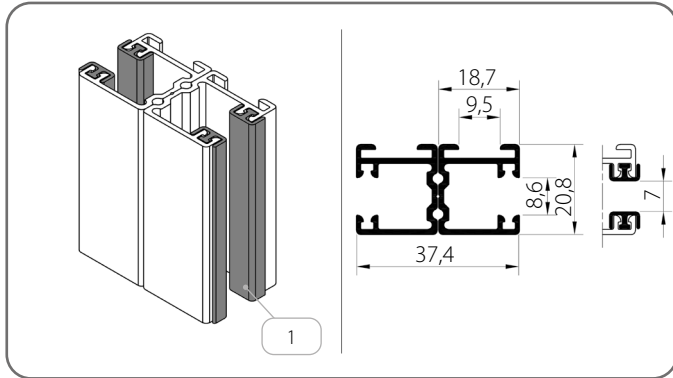
	Catalogue code	L [mm]
1.	KMK/140x100	15 - 130

	Blinds height [mm]	Number of angles [for 1 pcs guide channel]
1.	600 - 1600	2
2.	1601 - 2600	3
3.	2601 - 3600	4
4.	3601 - 4400	5

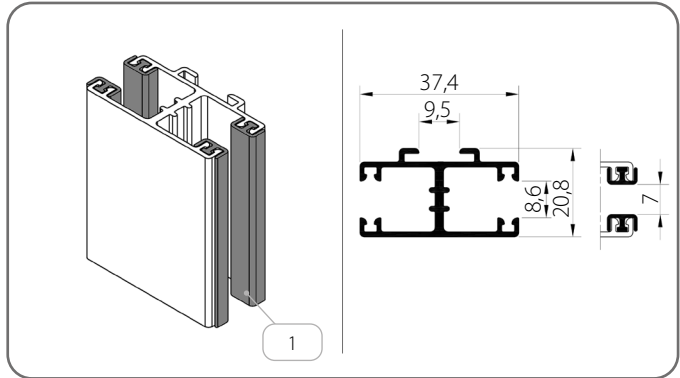
3.8. Division guide channels

3.8.1. Guide channels - I Group

PP SZF/2/x + PP SZF/2/x



PPD SZF/1/x

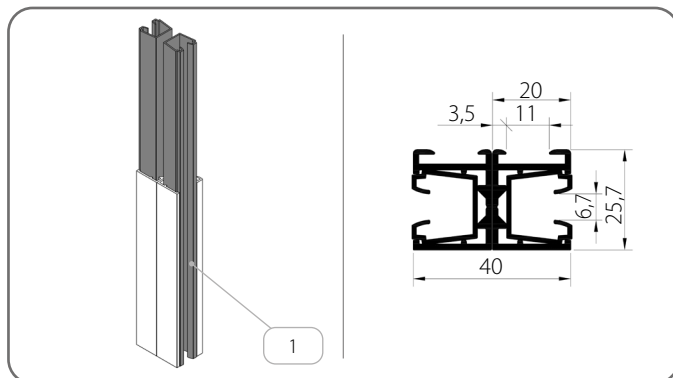


Name of the component		Colour
1.	Damping seal	20 - black

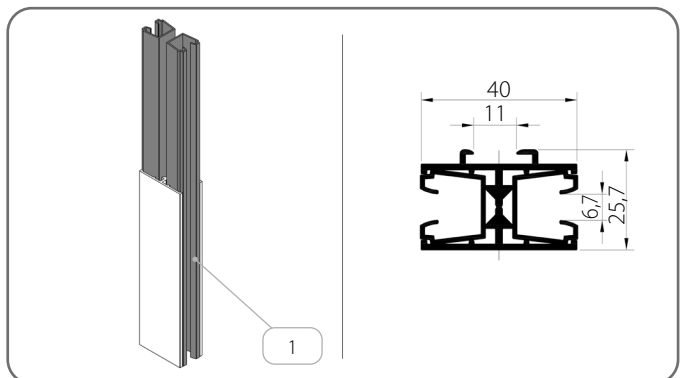
x	Colour	x	Colour	x	Colour	x	Colour
00	mill finish	21	black grey	34	quartz grey	80B	graphite grey
01	silver	22B	ultra white	37B	grey aluminium	82	alpine white
03B	grey	23B	anthracite grey	45	beige satin	IK	different colour
09	brown	29	light beige	73B	mouse grey		
16B	ivory	31B	light grey	74B	copper bronze		
20B	black	33	basalt grey	75B	metallic grey		

3.8.2. Guide channels - Group II

PP SZF/WUF_S/2/x + PP SZF/WUF_S/2/x



PPD SZF/WUF_S/1/x

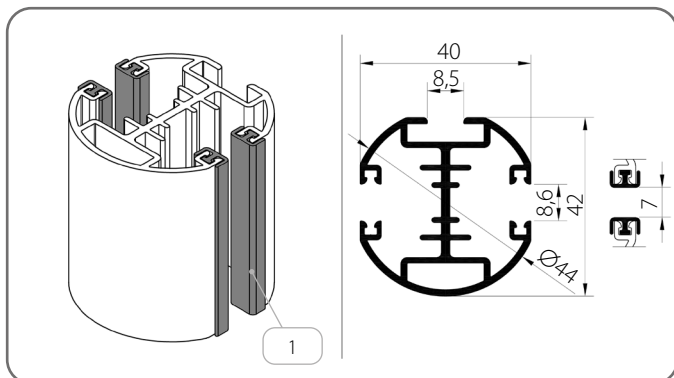


Name of the component		Colour
1.	Guide channels insert	03 - grey 20 - black

x	Colour	x	Colour	x	Colour	x	Colour
00	mill finish	21	black grey	34	quartz grey	80B	graphite grey
01	silver	22B	ultra white	37B	grey aluminium	82	alpine white
03B	grey	23B	anthracite grey	45	beige satin	IK	different colour
09	brown	29	light beige	73B	mouse grey		
16B	ivory	31B	light grey	74B	copper bronze		
20B	black	33	basalt grey	75B	metallic grey		

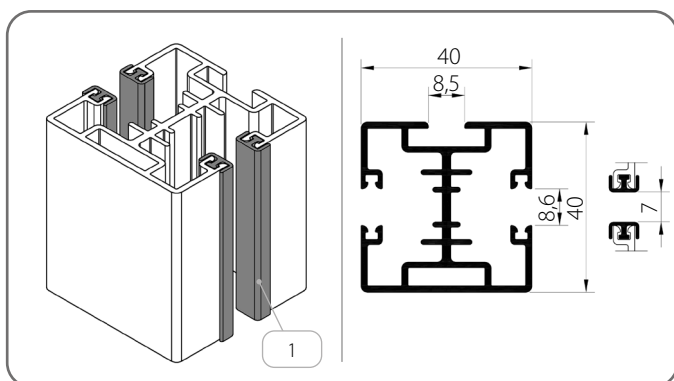
3.8.3. Guide channels - Group III

PPDO-P SZF/1/x



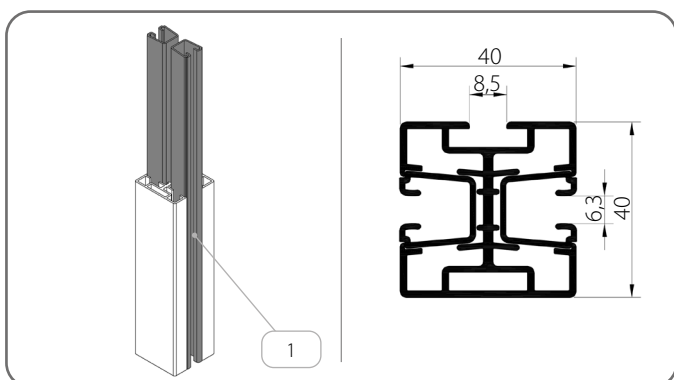
	Name of the component	Colour
1.	Guide channels insert	20 - black

PPD-P SZF/2/x



	Name of the component	Colour
1.	Guide channels insert	20 - black

PPD-P SZF/WUF/2/x

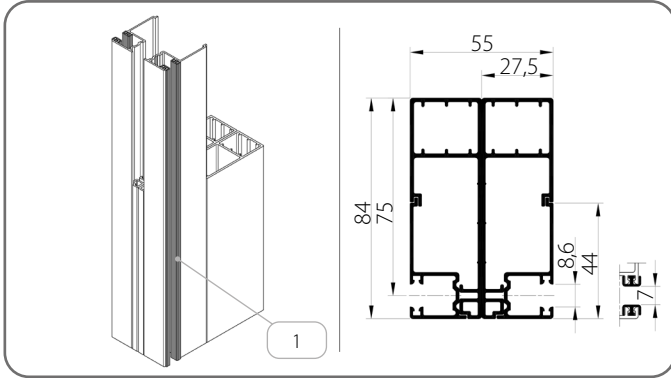


	Name of the component	Colour
1.	Guide channels insert	20 - black

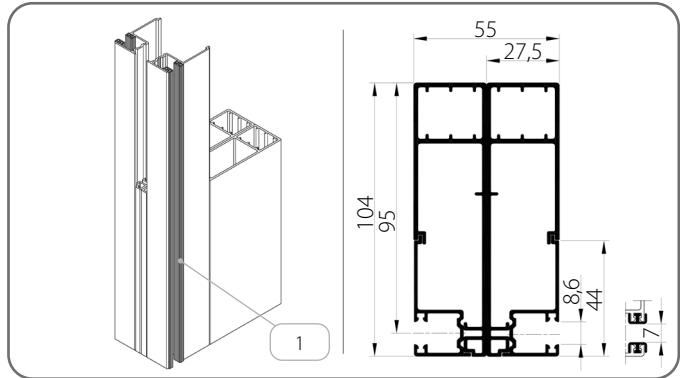
x	Colour	x	Colour	x	Colour	x	Colour
00	mill finish	21	black grey	34	quartz grey	80B	graphite grey
01	silver	22B	ultra white	37B	grey aluminium	82	alpine white
03B	grey	23B	anthracite grey	45	beige satin	IK	different colour
09	brown	29	light beige	73B	mouse grey		
16B	ivory	31B	light grey	74B	copper bronze		
20B	black	33	basalt grey	75B	metallic grey		

3.8.4. Guide channels - Group IV

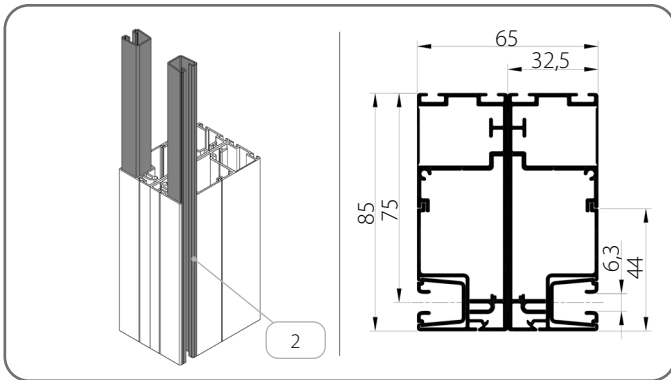
PBX/T1/84/x + PBX/T1/84/x



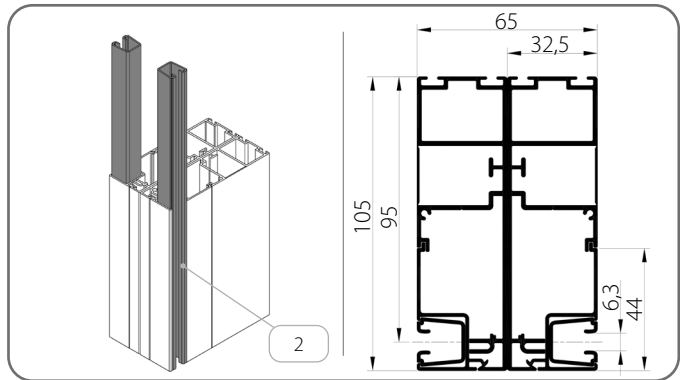
PBX/T1/104/x + PBX/T1/104/x



PBX/T2/85/x + PBX/T2/85/x



PBX/T2/105/x + PBX/T2/105/x



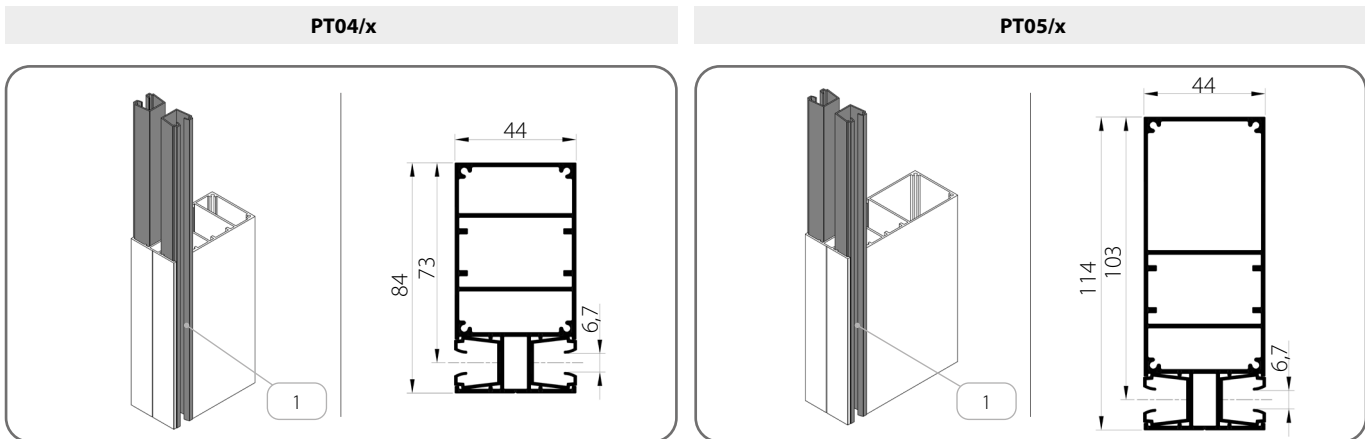
	Name of the component	Colour
1.	Damping seal	20 - black
2.	Guide channels insert	20 - black

x	Colour	x	Colour	x	Colour	x	Colour
00	mill finish	21	black grey	34	quartz grey	80B	graphite grey
01	silver	22B	ultra white	37B	grey aluminium	82	alpine white
03B	grey	23B	anthracite grey	45	beige satin	IK	different colour
09	brown	29	light beige	73B	mouse grey		
16B	ivory	31B	light grey	74B	copper bronze		
20B	black	33	basalt grey	75B	metallic grey		

**CATALOGUE - TECHNICAL GUIDE FOR EXTERNAL
VENETIAN BLINDS (FACADE) SZF SkyFLOW SYSTEM**

C 80 / 3. ADAPTING BLINDS SZF/A

3.8.5. Guide channels - Group V

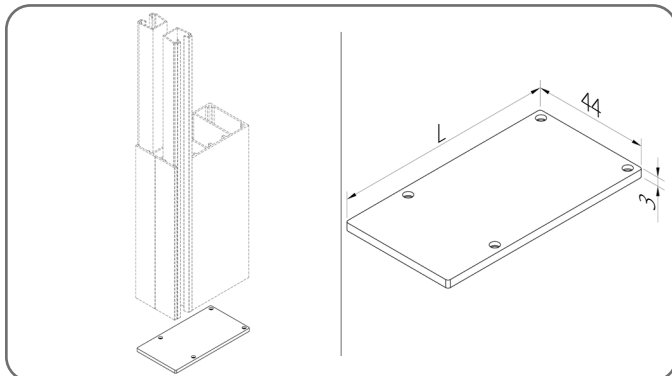


Name of the component		Colour
1.	Guide channels insert	03 - grey 20 - black

x	Colour	x	Colour	x	Colour	x	Colour
00	mill finish	21	black grey	34	quartz grey	80B	graphite grey
01	silver	22B	ultra white	37B	grey aluminium	82	alpine white
03B	grey	23B	anthracite grey	45	beige satin	IK	different colour
09	brown	29	light beige	73B	mouse grey		
16B	ivory	31B	light grey	74B	copper bronze		
20B	black	33	basalt grey	75B	metallic grey		

3.8.5.1. Guide channel side lock

For guide channels type PT

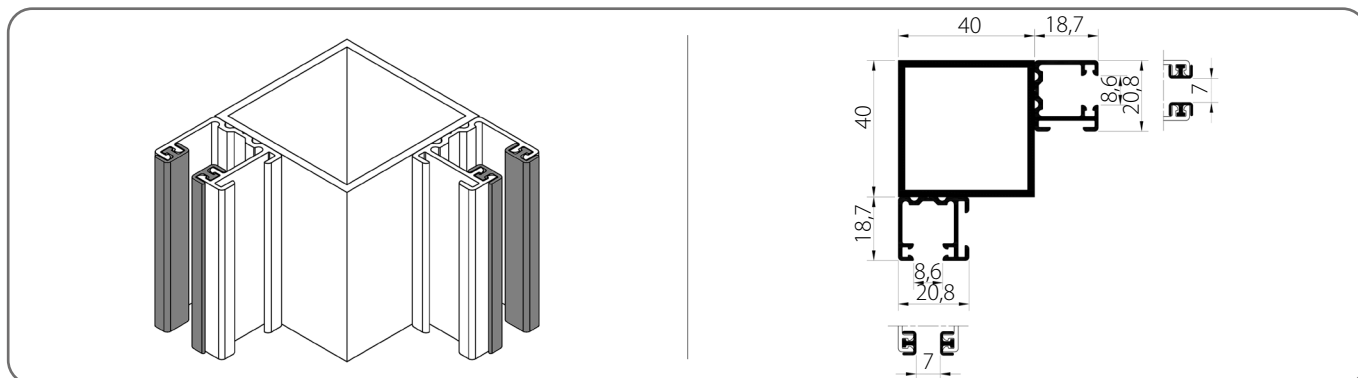


	Catalogue code	L [mm]
1.	ZPT04/x	83,5
2.	ZPT05/x	113,5

x	Colour	x	Colour	x	Colour	x	Colour
00	mill finish	21	black grey	34	quartz grey	80B	graphite grey
01	silver	22B	ultra white	37B	grey aluminium	82	alpine white
03B	grey	23B	anthracite grey	45	beige satin	IK	different colour
09	brown	29	light beige	73B	mouse grey		
16B	ivory	31B	light grey	74B	copper bronze		
20B	black	33	basalt grey	75B	metallic grey		

3.8.6. Corner guide channels

RP/40x40x2/x + PP SZF/2/x

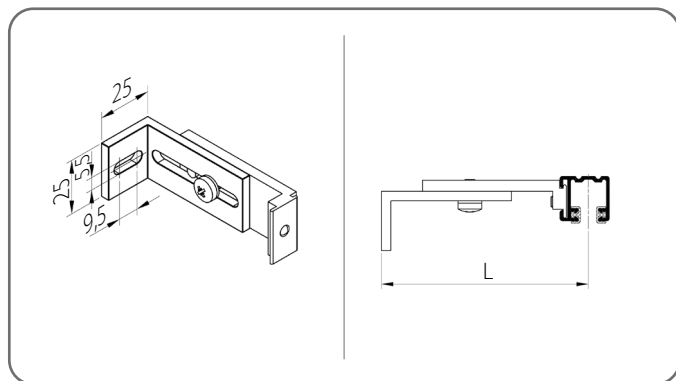


x	Colour	x	Colour	x	Colour	x	Colour
00	mill finish	21	black grey	34	quartz grey	80B	graphite grey
01	silver	22B	ultra white	37B	grey aluminium	82	alpine white
03B	grey	23B	anthracite grey	45	beige satin	IK	different colour
09	brown	29	light beige	73B	mouse grey		
16B	ivory	31B	light grey	74B	copper bronze		
20B	black	33	basalt grey	75B	metallic grey		

3.9. Guide channel handles

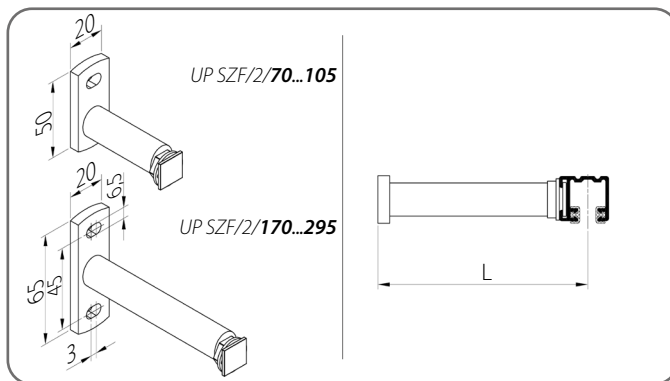
3.9.1. Guide channels - I Group

UP SZF/1



	Catalogue code	L [mm]
1.	UP SZF/1/70/x	50 - 70
2.	UP SZF/1/100/x	71 - 100
3.	UP SZF/1/145/x	101 - 145

UP SZF/2



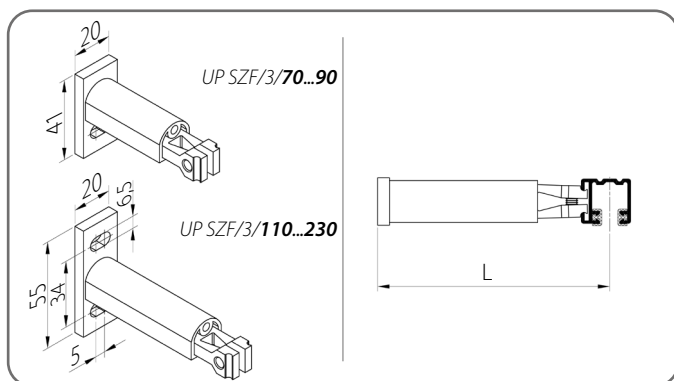
	Catalogue code	L [mm]
1.	UP SZF/2/70/x	50 - 70
2.	UP SZF/2/105/x	71 - 105
3.	UP SZF/2/170/x	106 - 170
4.	UP SZF/2/295/x	171 - 295

x	Colour	x	Colour	x	Colour	x	Colour
00	mill finish	21	black grey	34	quartz grey	80B	graphite grey
01	silver	22B	ultra white	37B	grey aluminium	82	alpine white
03B	grey	23B	anthracite grey	45	beige satin	IK	different colour
09	brown	29	light beige	73B	mouse grey		
16B	ivory	31B	light grey	74B	copper bronze		
20B	black	33	basalt grey	75B	metallic grey		

**CATALOGUE - TECHNICAL GUIDE FOR EXTERNAL
VENETIAN BLINDS (FACADE) SZF SkyFLOW SYSTEM**

C 80 / 3. ADAPTING BLINDS SZF/A

UP SZF/3

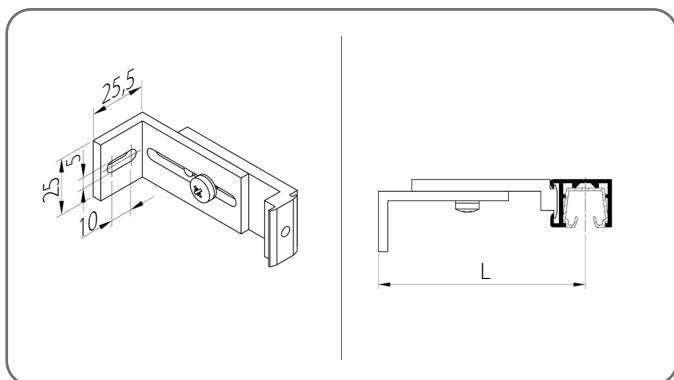


	Catalogue code	L [mm]
1.	UP SZF/3/70/x	60 - 70
2.	UP SZF/3/90/x	71 - 90
3.	UP SZF/3/110/x	91 - 110
4.	UP SZF/3/130/x	111 - 130
5.	UP SZF/3/150/x	131 - 150
6.	UP SZF/3/170/x	151 - 170
7.	UP SZF/3/190/x	171 - 190
8.	UP SZF/3/210/x	191 - 210
9.	UP SZF/3/230/x	211 - 230

x	Colour	x	Colour	x	Colour	x	Colour
00	mill finish	21	black grey	34	quartz grey	80B	graphite grey
01	silver	22B	ultra white	37B	grey aluminium	82	alpine white
03B	grey	23B	anthracite grey	45	beige satin	IK	different colour
09	brown	29	light beige	73B	mouse grey		
16B	ivory	31B	light grey	74B	copper bronze		
20B	black	33	basalt grey	75B	metallic grey		

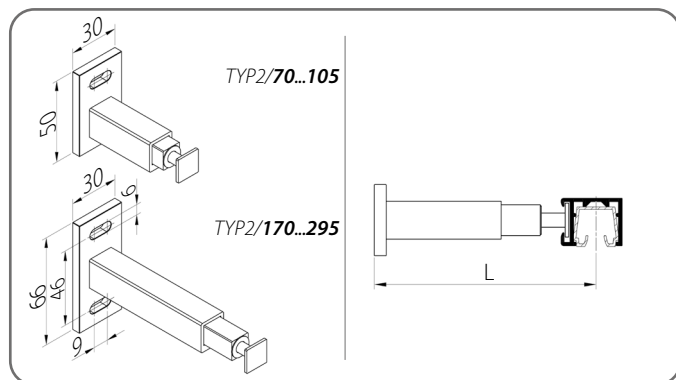
3.9.2. Guide channels - Group II

TYP 1



	Catalogue code	L [mm]
1.	TYP1/75/x	55 - 75
2.	TYP1/105/x	76 - 105
3.	TYP1/160/x	106 - 160

TYP 2

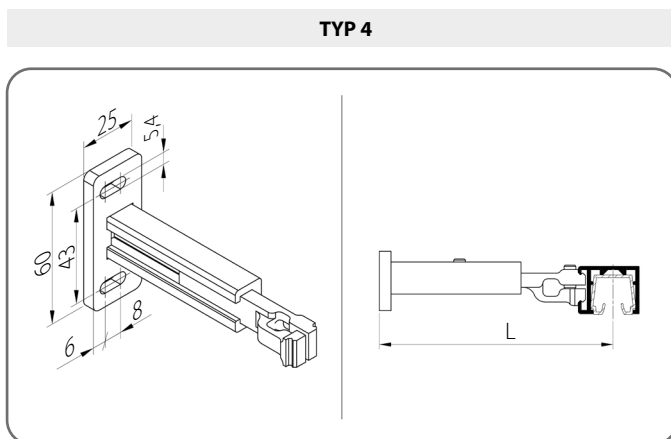
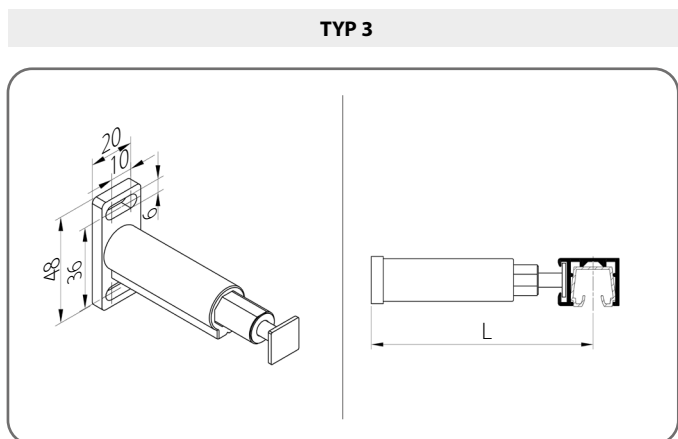


	Catalogue code	L [mm]
1.	TYP2/70/x	50 - 70
2.	TYP2/105/x	71 - 105
3.	TYP2/170/x	106 - 170
4.	TYP2/295/x	171 - 295

x	Colour	x	Colour	x	Colour	x	Colour
00	mill finish	21	black grey	34	quartz grey	80B	graphite grey
01	silver	22B	ultra white	37B	grey aluminium	82	alpine white
03B	grey	23B	anthracite grey	45	beige satin	IK	different colour
09	brown	29	light beige	73B	mouse grey		
16B	ivory	31B	light grey	74B	copper bronze		
20B	black	33	basalt grey	75B	metallic grey		

**CATALOGUE - TECHNICAL GUIDE FOR EXTERNAL
VENETIAN BLINDS (FACADE) SZF SKYFLOW SYSTEM**

C 80 / 3. ADAPTING BLINDS SZF/A



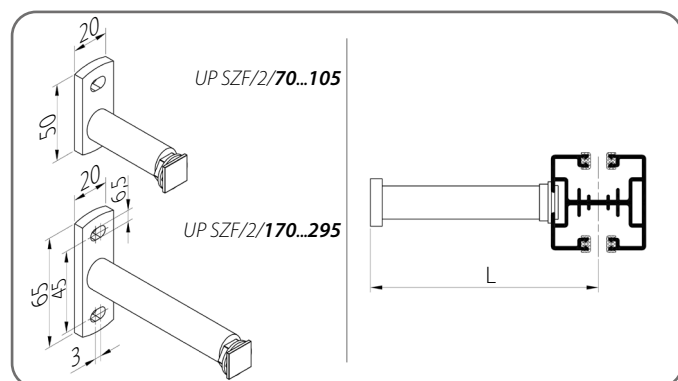
	Catalogue code	L [mm]
1.	TYP3/75/x	50 - 75
2.	TYP3/1/120/x	76 - 120

	Catalogue code	L [mm]
1.	TYP4/80/x	60 - 80
2.	TYP4/115/x	81 - 115
3.	TYP4/170/x	116 - 170

x	Colour	x	Colour	x	Colour	x	Colour
00	mill finish	21	black grey	34	quartz grey	80B	graphite grey
01	silver	22B	ultra white	37B	grey aluminium	82	alpine white
03B	grey	23B	anthracite grey	45	beige satin	IK	different colour
09	brown	29	light beige	73B	mouse grey		
16B	ivory	31B	light grey	74B	copper bronze		
20B	black	33	basalt grey	75B	metallic grey		

3.9.3. Guide channels - Group III

UP SZF/2



	Catalogue code	L [mm]
1.	UP SZF/2/70/x	58 - 78*
2.	UP SZF/2/105/x	79 - 113*
3.	UP SZF/2/170/x	114 - 178*
4.	UP SZF/2/295/x	179 - 303*

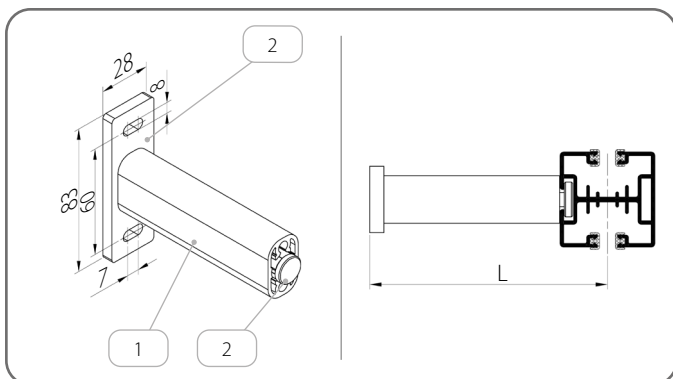
* Values changed due to the use of **PPD-P SZF/2** or **PPDO-P SZF/1** guide channels.

x	Colour	x	Colour	x	Colour	x	Colour
00	mill finish	21	black grey	34	quartz grey	80B	graphite grey
01	silver	22B	ultra white	37B	grey aluminium	82	alpine white
03B	grey	23B	anthracite grey	45	beige satin	IK	different colour
09	brown	29	light beige	73B	mouse grey		
16B	ivory	31B	light grey	74B	copper bronze		
20B	black	33	basalt grey	75B	metallic grey		

**CATALOGUE - TECHNICAL GUIDE FOR EXTERNAL
VENETIAN BLINDS (FACADE) SZF SkyFLOW SYSTEM**

C 80 / 3. ADAPTING BLINDS SZF/A

UP SZF/4/x



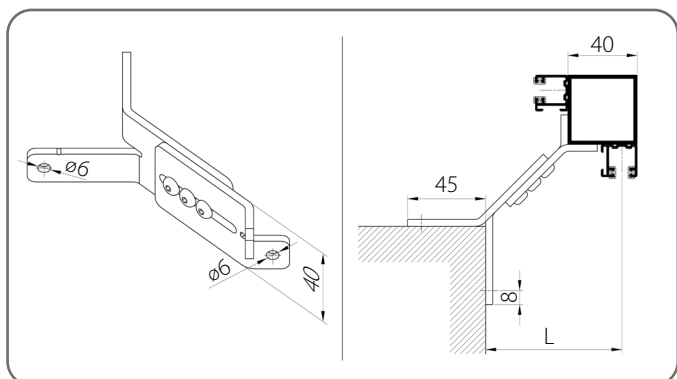
	Catalogue code	L [mm]
1.	UP SZF/4	75 - 200

	Name of the component	Catalogue code
1.	Telescopic handle profile	PUT SZF/x
2.	Telescopic handle set	ZUP SZF/4/x

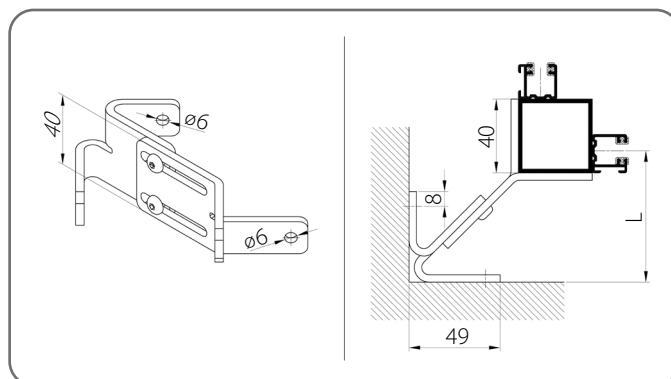
x	Colour	x	Colour	x	Colour	x	Colour
00	mill finish	21	black grey	34	quartz grey	80B	graphite grey
01	silver	22B	ultra white	37B	grey aluminium	82	alpine white
03B	grey	23B	anthracite grey	45	beige satin	IK	different colour
09	brown	29	light beige	73B	mouse grey		
16B	ivory	31B	light grey	74B	copper bronze		
20B	black	33	basalt grey	75B	metallic grey		

3.9.4. Corner handle

UP SZF/N/1




UP SZF/N/2



	Catalogue code	L [mm]
1.	UP SZF/N/1/80/x	75 - 85
2.	UP SZF/N/1/100/x	86 - 105
3.	UP SZF/N/1/140/x	106 - 145

	Catalogue code	L [mm]
1.	UP SZF/N/2/80/x	50 - 60
2.	UP SZF/N/2/100/x	61 - 80
3.	UP SZF/N/2/140/x	81 - 120

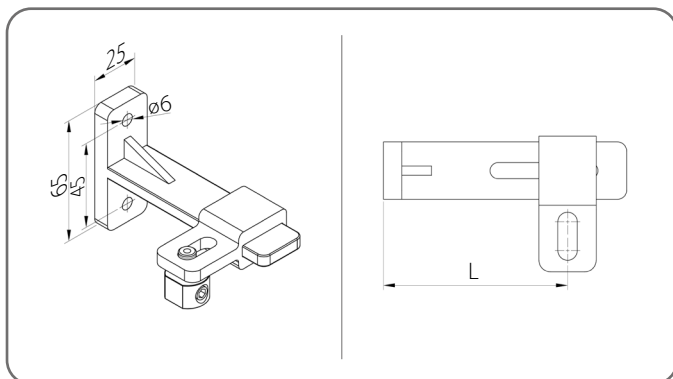
x	Colour
AND	anodised

 Corner solution available only with **PP SZF/2** guides.

3.10. Wire handles

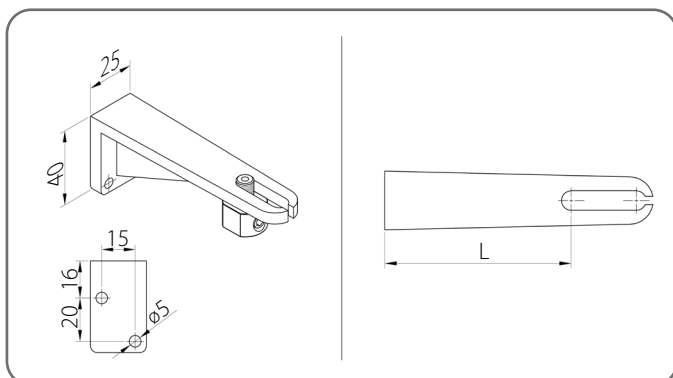
 All grips come with a tensioner.

UDL/1



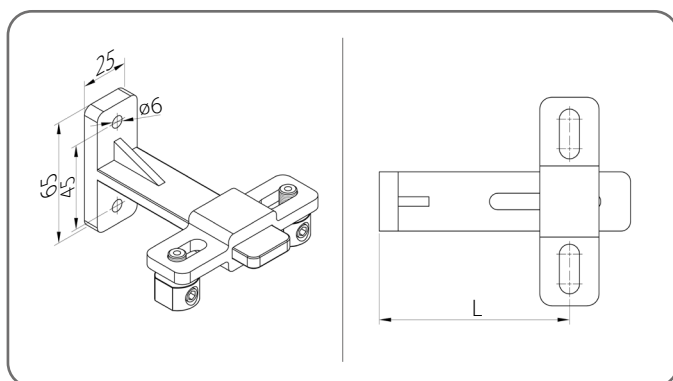
	Catalogue code	L [mm]
1.	UDL/1/90/x	50 - 90
2.	UDL/1/128/x	88 - 128
3.	UDL/1/165/x	125 - 165
4.	UDL/1/200/x	160 - 200

UDL/2



	Catalogue code	L [mm]
1.	UDL/2/50/x	29 - 50
2.	UDL/2/76/x	55 - 76
3.	UDL/2/104/x	83 - 104
4.	UDL/2/132/x	111 - 132
5.	UDL/2/160/x	139 - 160

UDL/4



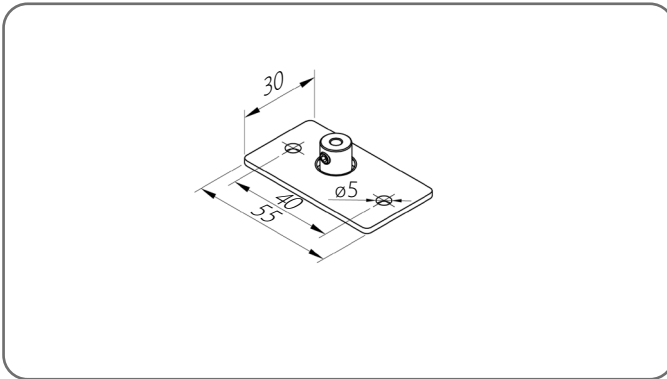
	Catalogue code	L [mm]
1.	UDL/4/90/x	50 - 90
2.	UDL/4/128/x	88 - 128
3.	UDL/4/165/x	125 - 165
4.	UDL/4/200/x	160 - 200

x	Colour	x	Colour	x	Colour	x	Colour
00	mill finish	21	black grey	34	quartz grey	80B	graphite grey
01	silver	22B	ultra white	37B	grey aluminium	82	alpine white
03B	grey	23B	anthracite grey	45	beige satin	IK	different colour
09	brown	29	light beige	73B	mouse grey		
16B	ivory	31B	light grey	74B	copper bronze		
20B	black	33	basalt grey	75B	metallic grey		

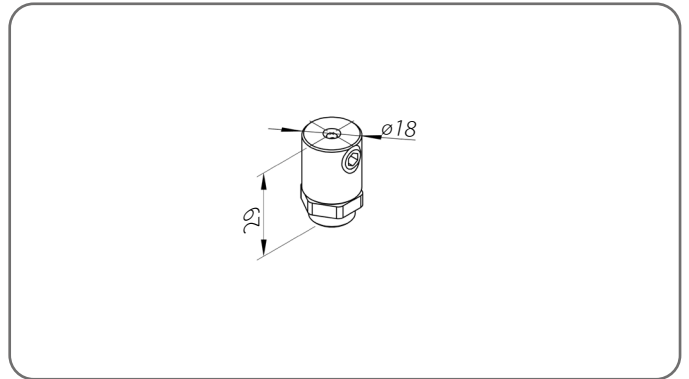
**CATALOGUE - TECHNICAL GUIDE FOR EXTERNAL
VENETIAN BLINDS (FACADE) SZF SkyFLOW SYSTEM**

C 80 / 3. ADAPTING BLINDS SZF/A

UDL/3/x



UDL/5



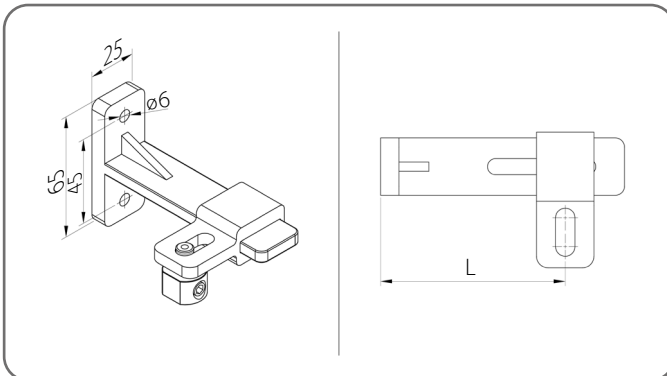
x Colour

AND anodised

3.10.1. Guide channel wire reinforcement

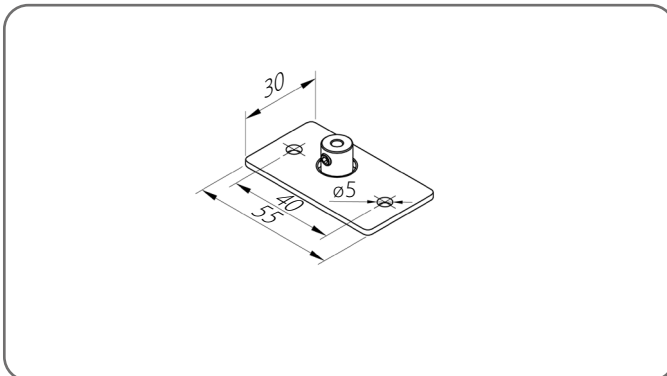
All grips come with a tensioner.

UDL/1



	Catalogue code	L [mm]
1.	UDL/1/90/x	50 - 90
2.	UDL/1/128/x	88 - 128
3.	UDL/1/165/x	125 - 165
4.	UDL/1/200/x	160 - 200

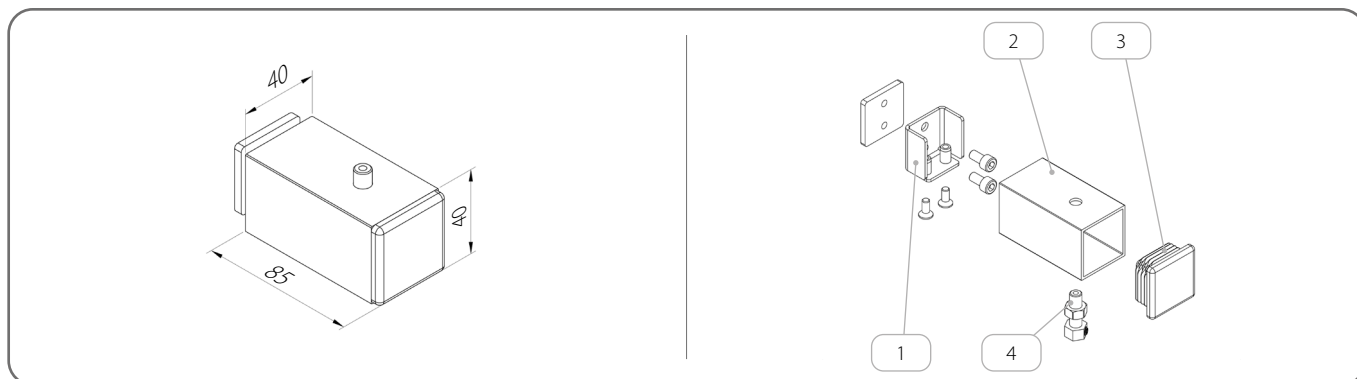
UDL/3/x



**CATALOGUE - TECHNICAL GUIDE FOR EXTERNAL
VENETIAN BLINDS (FACADE) SZF SKYFLOW SYSTEM**

C 80 / 3. ADAPTING BLINDS SZF/A

WZLP/40x40x2/x



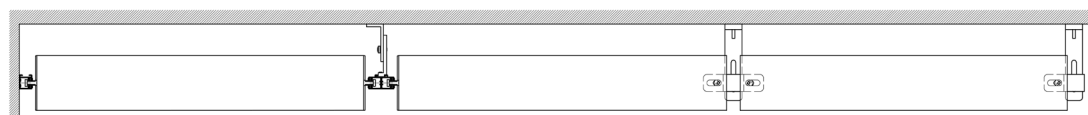
	Name of the component	Catalogue code	Colour
1.	Reinforcement fixing set	ZM/WZLP/40x40x2	
2.	Mounting profile	U/WZLP/40x40x2/x	<i>colour table x</i>
3.	Cap	Z/WZLP/40x40x2/x	02 - white 20B - black 23B - anthracite grey
4.	Cable tensioner	NLS	






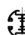






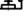





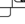





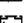
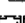






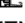



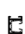
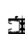



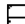

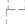






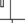

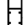
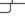










x	Colour	x	Colour	x	Colour	x	Colour
00	mill finish	21	black grey	34	quartz grey	80B	graphite grey
01	silver	22B	ultra white	37B	grey aluminium	82	alpine white
03B	grey	23B	anthracite grey	45	beige satin	IK	different colour
09	brown	29	light beige	73B	mouse grey		
16B	ivory	31B	light grey	74B	copper bronze		
20B	black	33	basalt grey	75B	metallic grey		

3.11. Blinds joining

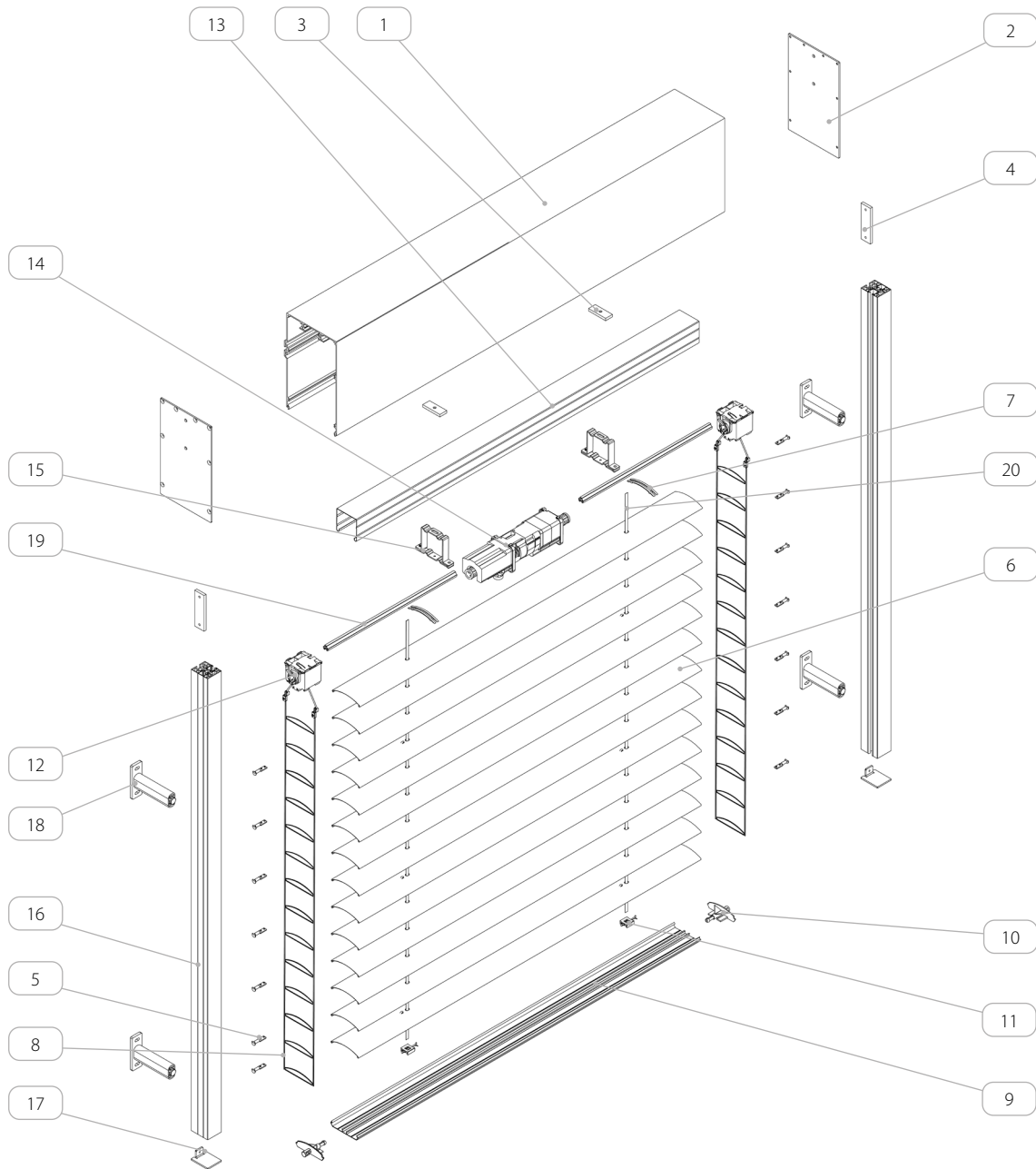
 A common drive for up to 3 blinds can be used.

The division of Venetian blinds



 PP SZF/2	 PPD SZF/1	 UDL/4	 UDL/1
 PPDO SZF/1	 PPDO-P SZF/1	 UDL/1 + UDL/1	 UDL/2
 PPD SZF/2	 PPD-P SZF/2	 UDL/2 + UDL/2	 UDL/3
 PBX/T1/84	 PBX/T1/84 + PBX/T1/84	 UDL/3 + UDL/3	 UDL/5
 PBX/T1/104	 PBX/T1/104 + PBX/T1/104	 UDL/5 + UDL/5	
	 PP SZF/2 + PP SZF/2		
 PPD SZF/WUF/2	 PPD-P SZF/WUF/2	 UDL/4	 UDL/1
 PBX/T2/85	 PBX/T2/85 + PBX/T2/85	 UDL/1 + UDL/1	 UDL/2
 PBX/T2/105	 PBX/T2/105 + PBX/T2/105	 UDL/2 + UDL/2	 UDL/3
 K/PU/P/T2 SZF + PU/P/T2 SZF + WUF		 UDL/3 + UDL/3	 UDL/5
		 UDL/5 + UDL/5	
 PP SZF/WUF_S/2	 PPD SZF/WUF_S/1	 UDL/4	 UDL/1
 PT02	 PT04	 UDL/1 + UDL/1	 UDL/2
 PT03	 PT05	 UDL/2 + UDL/2	 UDL/3
 PT02_Z	 PP SZF/WUF_S/2 + PP SZF/WUF_S/2	 UDL/3 + UDL/3	 UDL/5
 PT03_Z		 UDL/5 + UDL/5	
 K/PU/P/T1 SZF + PU/P/T1 SZF		 UDL/4	 UDL/1
		 UDL/1 + UDL/1	 UDL/2
		 UDL/2 + UDL/2	 UDL/3
		 UDL/3 + UDL/3	 UDL/5
		 UDL/5 + UDL/5	

4. SELF-SUPPORTING BLIND SZF/S



Name of the component	
1.	Box
2.	End cap
3.	Rail handle mounting bracket
4.	Guide channel mount
5.	Pin to C 80
6.	Profile C 80
7.	Slat clip
8.	Ladder braid C 80
9.	Bottom rail
10.	Blind for end slat
11.	Lift tape and end slat - connector
12.	Mechanism - 8 mm belt
13.	Steel rail - galvanised
14.	Drive
15.	Guide rail bracket
16.	Guide channel
17.	Guide channel side lock
18.	Guide channel handle
19.	Shaft 14 mm
20.	Strap 8 mm

CATALOGUE - TECHNICAL GUIDE FOR EXTERNAL VENETIAN BLINDS (FACADE) SZF SkyFLOW SYSTEM

C 80 / 4. SELF-SUPPORTING BLIND SZF/S

4.1. General information



Where:

A - HEIGHT OF THE PACKAGE [mm]

B - BLINDS HEIGHT [mm]

C - COVER HEIGHT [mm]

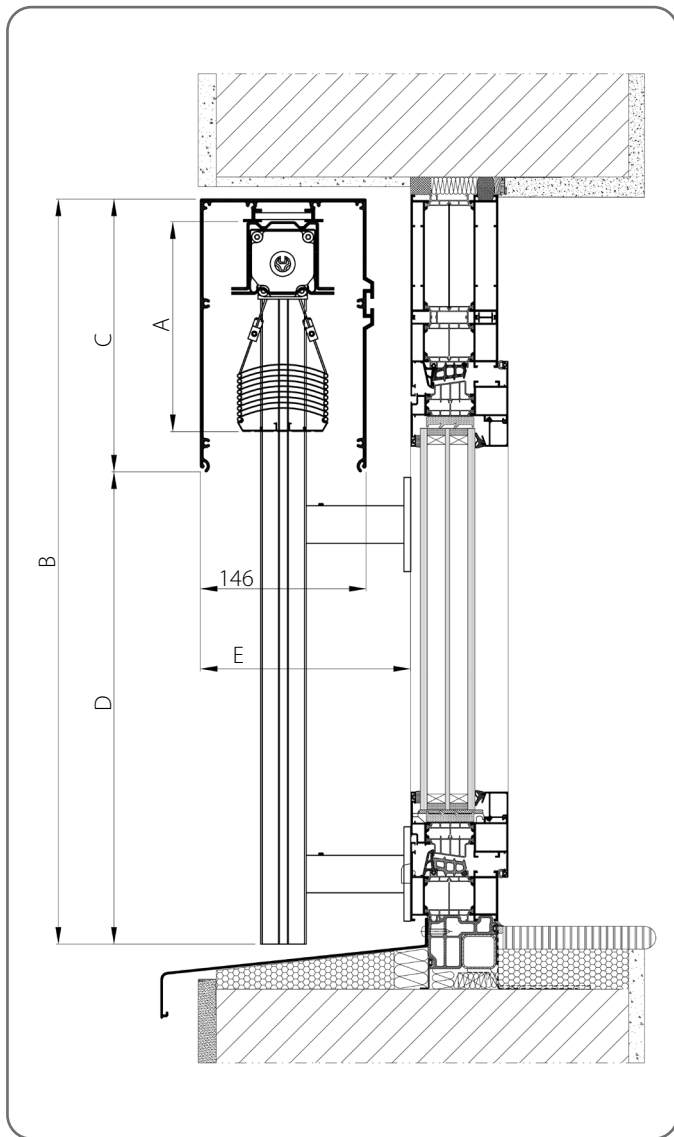
D - CLEAR HEIGHT [mm]

E - INSTALLATION DEPTH [mm]

M - WIDTH OF THE PACKAGE / SLAT [mm]

N - VENETIAN BLIND WIDTH [mm]

The measurement and installation of the venetian blind should be performed by a qualified installer.

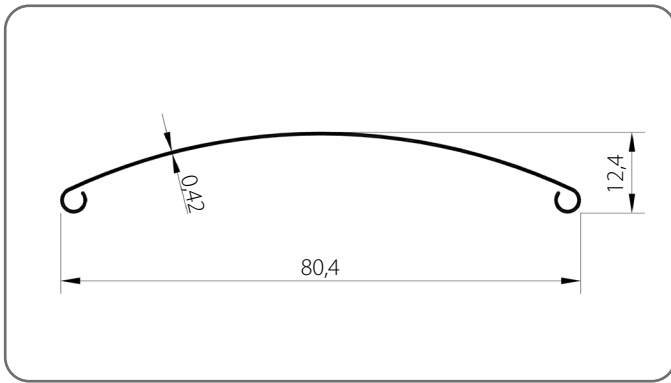


	A [mm]	B [mm]	Blind with guide channel		Venetian blind with cable reinforcement	
			C [mm]	D [mm]	C [mm]	D [mm]
1.	190	600 - 800	240	360 - 960	240	360 - 960
2.	200	801 - 1000				
3.	210	1001 - 1200				
4.	230	1201 - 1400				
5.	240	1401 - 1600	330	871 - 2470	330	871 - 2470
6.	250	1601 - 1800				
7.	260	1801 - 2000				
8.	280	2001 - 2200				
9.	290	2201 - 2400				
10.	300	2401 - 2600	390	2411 - 3610	390	2411 - 3610
11.	310	2601 - 2800				
12.	320	2801 - 3000				
13.	340	3001 - 3200				
14.	350	3201 - 3400				
15.	360	3401 - 3600				
16.	370	3601 - 3800				
17.	380	3801 - 4000				

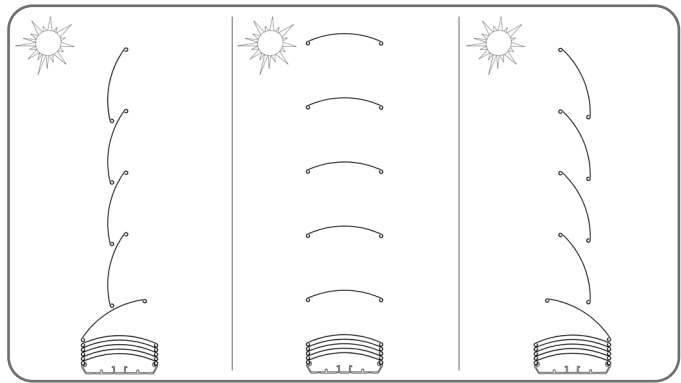
**CATALOGUE - TECHNICAL GUIDE FOR EXTERNAL
VENETIAN BLINDS (FACADE) SZF SKYFLOW SYSTEM**

C 80 / 4. SELF-SUPPORTING BLIND SZF/S

Slat C 80/x



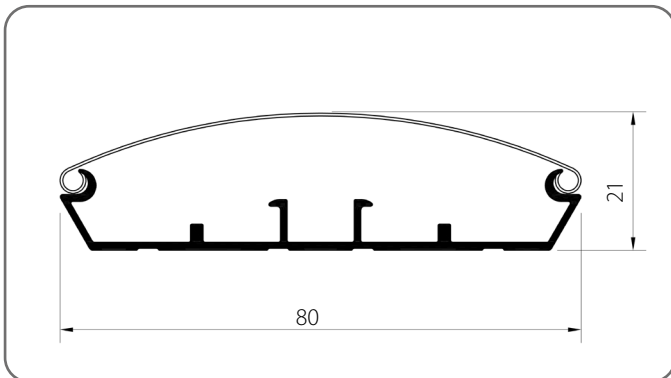
Slats rotation range - 180°*



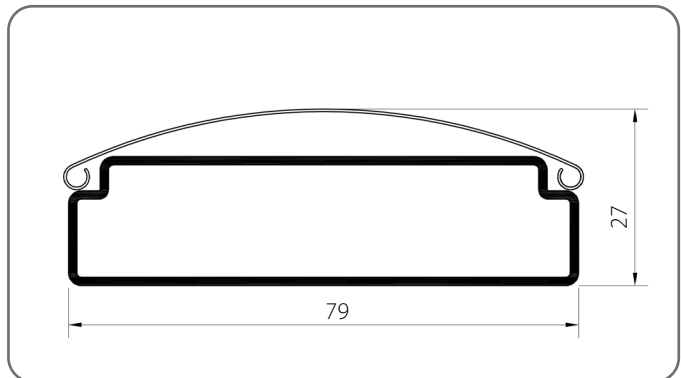
* The slat rotation angle of 180° is an approximate value.

x	Colour	x	Colour	x	Colour	x	Colour
01	silver	21	black grey	33	basalt grey	74B	copper bronze
03B	grey	22B	ultra white	34	quartz grey	75B	metallic grey
09	brown	23B	anthracite grey	37B	grey aluminium	80B	graphite grey
16B	ivory	29	light beige	45	beige satin	82	alpine white
20B	black	31B	light grey	73B	mouse grey		

Open end slat BOA/C80/x

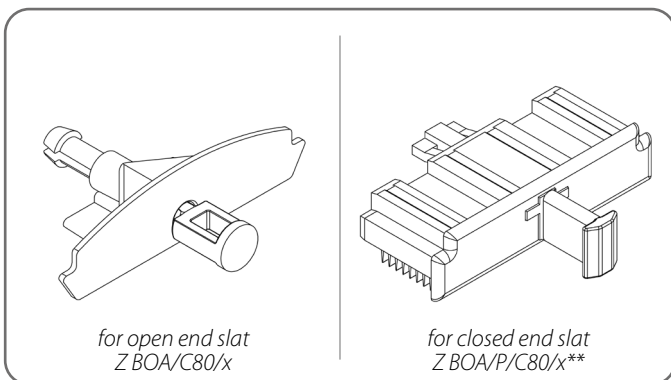


Full end slat BOA/P/C80/x**



x	Colour	x	Colour	x	Colour	x	Colour
00	mill finish	21	black grey	34	quartz grey	80B	graphite grey
01	silver	22B	ultra white	37B	grey aluminium	82	alpine white
03B	grey	23B	anthracite grey	45	beige satin	IK	different colour
09	brown	29	light beige	73B	mouse grey		
16B	ivory	31B	light grey	74B	copper bronze		
20B	black	33	basalt grey	75B	metallic grey		

End slat blind



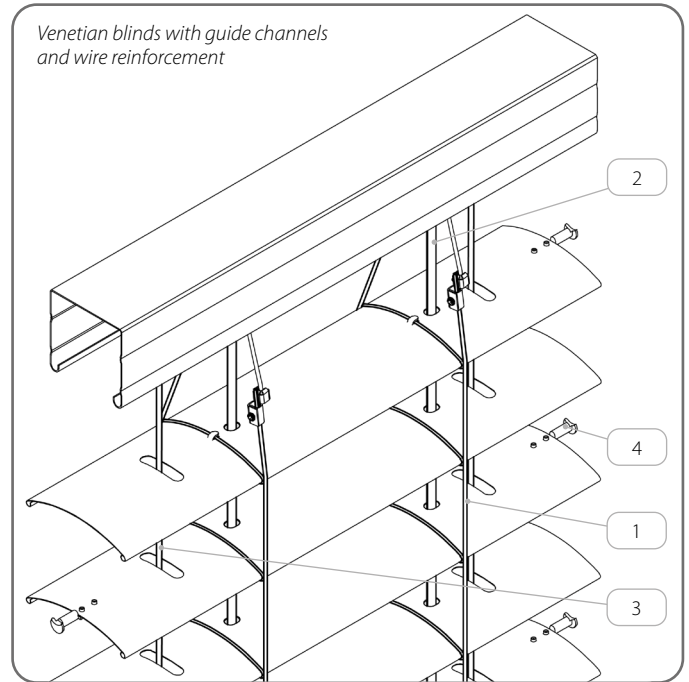
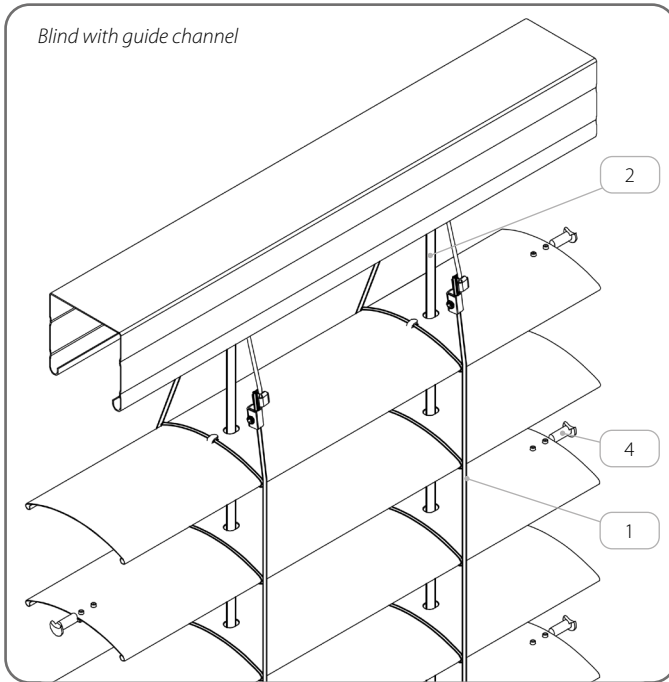
x	Colour
03	grey
20	black

** Cannot be used with cable guidance.

**CATALOGUE - TECHNICAL GUIDE FOR EXTERNAL
VENETIAN BLINDS (FACADE) SZF SkyFLOW SYSTEM**

C 80 / 4. SELF-SUPPORTING BLIND SZF/S

Additional accessories

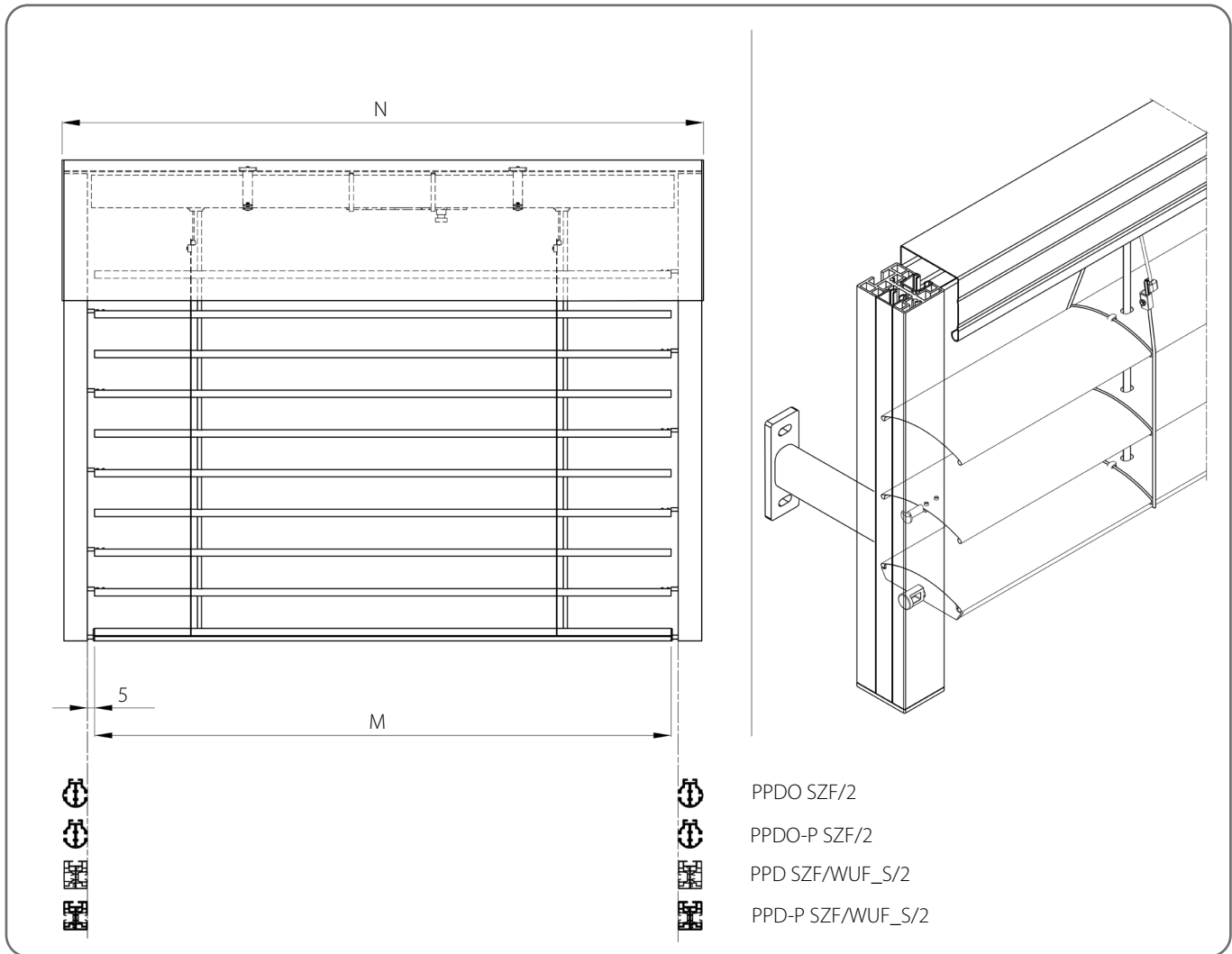


	Name of the component	Catalogue code
1.	Ladder braid C 80	D/C80/x
2.	Strap 8 mm	P SZF/8/x
3.	Steel wire Ø 3, PVC coated	LS SZF/3/x
4.	Pin to C 80 - steel	P/S/C80

x	Colour
03	grey
20	black

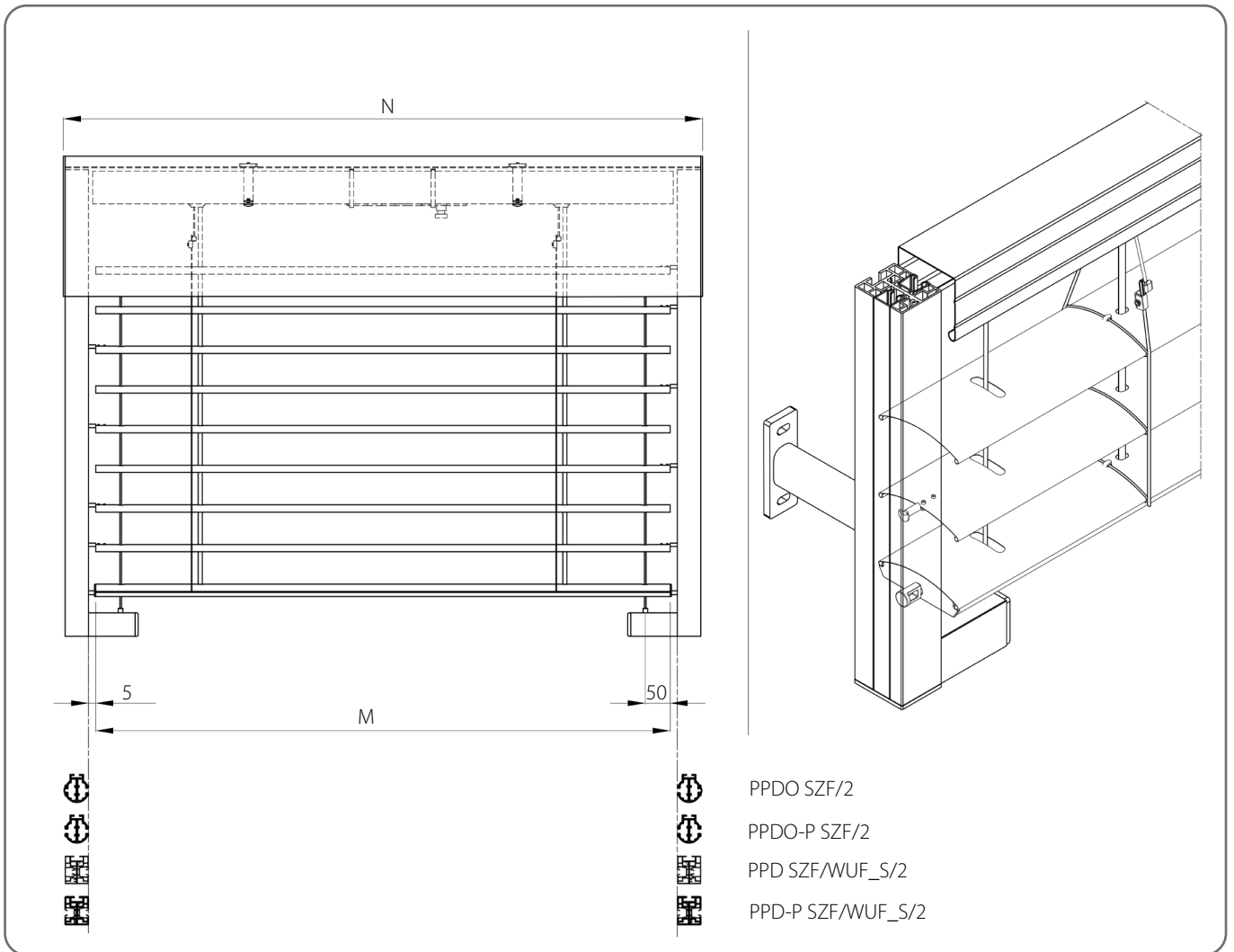
 Pins are mounted on every other slat for Venetian blinds with guide channels.

4.1.1. Blind with guide channel



Technical specifications									
Minimum		Maximum		Maximum surface [m ²]	Corner blinds	Electric drive	Motor with emergency opening	Manual drive	Installation
Width [mm]	Height [mm]	Width [mm]	Height [mm]						
600	600	4500	4000	18	NO	YES	YES	YES	External

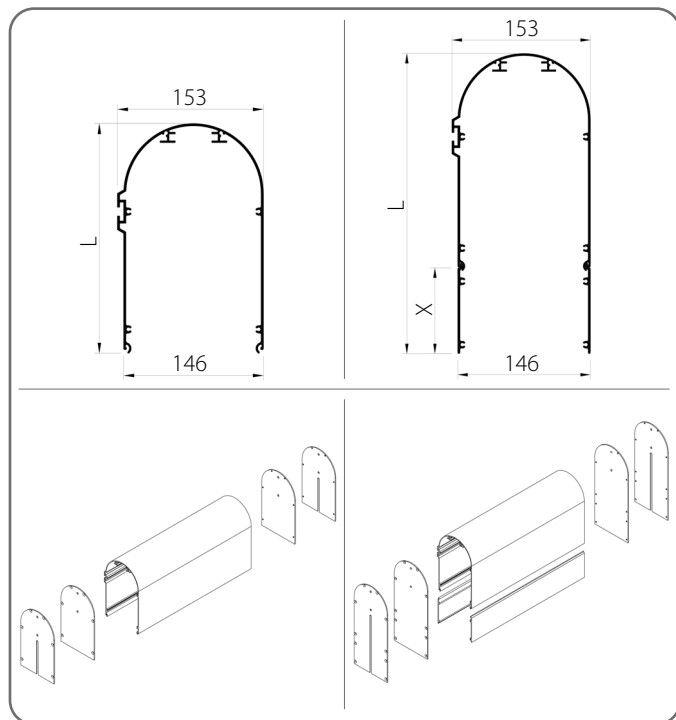
4.1.2. Venetian blinds with guide channels and wire reinforcement



Technical specifications									
Minimum		Maximum		Maximum surface [m ²]	Corner blinds	Electric drive	Motor with emergency opening	Manual drive	Installation
Width [mm]	Height [mm]	Width [mm]	Height [mm]						
600	600	5000	4000	20	NO	YES	YES	YES	External

4.2. Box

Rounded box Oval

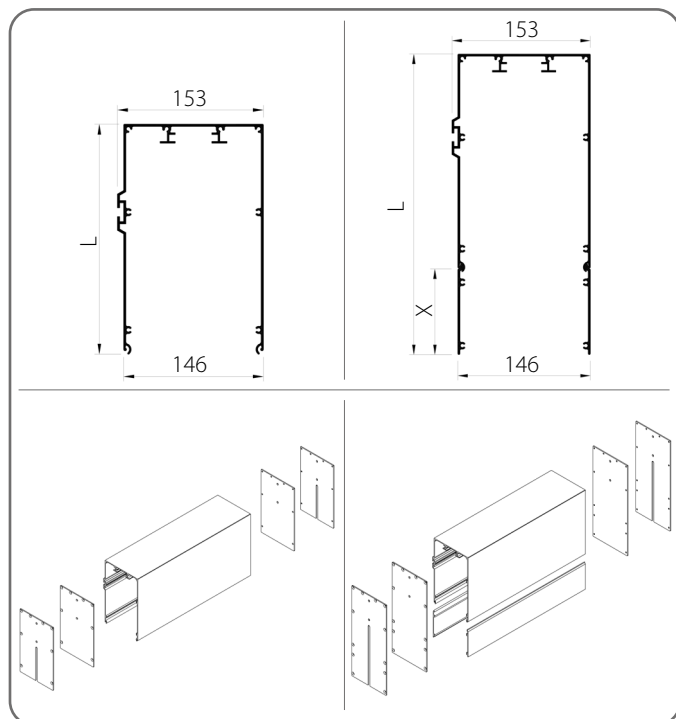


	L [mm]	X [mm]
1.	241	-
2.	337	100
3.	397	160

x	Colour	x	Colour
00	mill finish	33	basalt grey
01	silver	34	quartz grey
03B	grey	37B	grey aluminium
09	brown	45	beige satin
16B	ivory	73B	mouse grey
20B	black	74B	copper bronze
21	black grey	75B	metallic grey
22B	ultra white	80B	graphite grey
23B	anthracite grey	82	alpine white
29	light beige	IK	different colour
31B	light grey		

⚠ Maximum width for a single element - 6 m.

Square box Cube



	L [mm]	X [mm]
1.	241	-
2.	337	100
3.	397	160

x	Colour	x	Colour
00	mill finish	33	basalt grey
01	silver	34	quartz grey
03B	grey	37B	grey aluminium
09	brown	45	beige satin
16B	ivory	73B	mouse grey
20B	black	74B	copper bronze
21	black grey	75B	metallic grey
22B	ultra white	80B	graphite grey
23B	anthracite grey	82	alpine white
29	light beige	IK	different colour
31B	light grey		

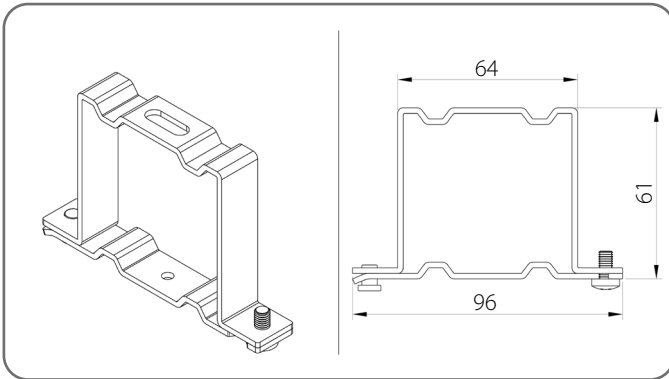
⚠ Maximum width for a single element - 6 m.

**CATALOGUE - TECHNICAL GUIDE FOR EXTERNAL
VENETIAN BLINDS (FACADE) SZF SkyFlow SYSTEM**

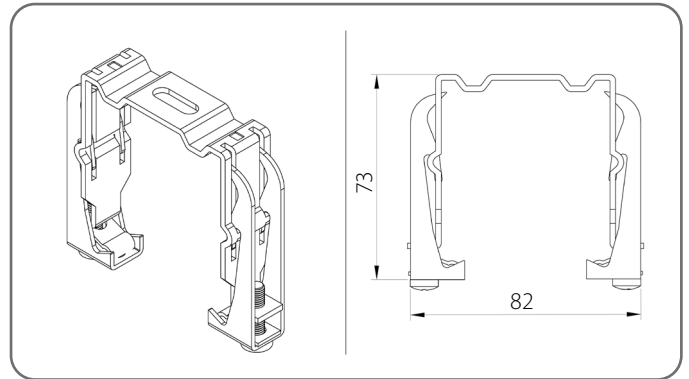
C 80 / 4. SELF-SUPPORTING BLIND SZF/S

4.3. Top guide rail bracket

Standard guide rail bracket - US/A



Springy guide rail bracket - US/B



Number of top rail handles						
Venetian blind width [mm]	600 - 1600	1601 - 2400	2401 - 3200	3201 - 4000	4001 - 4500	4501 - 5000
Quantity	2	3	4	5	6	7

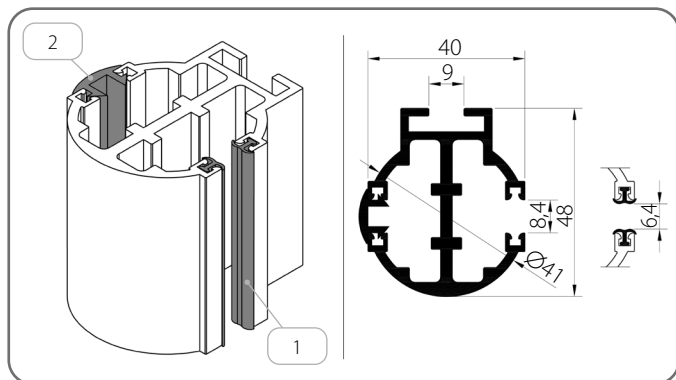
4.4. Other information

Blinds height [mm]	Slat width [mm]						
	600 - 2500	1400	2400	3400	4400	5000	-
2501 - 3000	1300	2200	3100	4000	4900	5000	-
3001 - 4500	1200	2000	2800	3600	4400	5000	-
4501 - 5000	1100	1800	2500	3200	3900	4600	5000
Number of strap mechanisms	2	3	4	5	6	7	8

Guide channel handle				
Blinds height [mm]	600 - 1600	1601 - 2600	2601 - 3600	3601 - 4400
Number of handles [for 1 pcs guide channel]	2	3	4	5

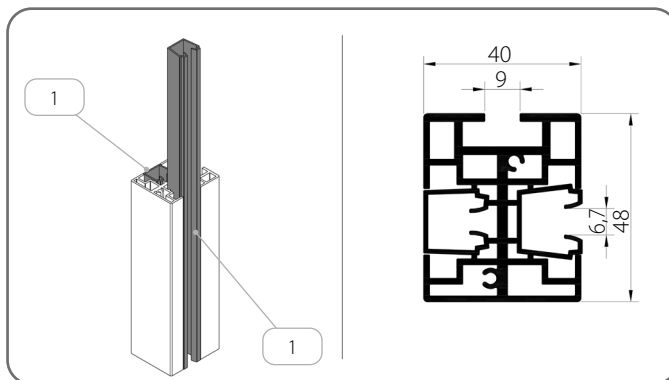
4.5. Guide channels

PPDO SZF/2/x



	Name of the component	Colour
1.	Damping seal	20 - black
2.	Masking seal	03 - grey 20 - black

PPD SZF/WUF_S/2/x

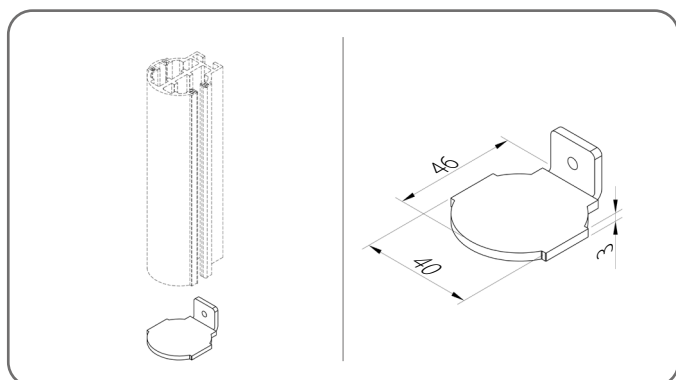


	Name of the component	Colour
1.	Guide channels insert	03 - grey 20 - black

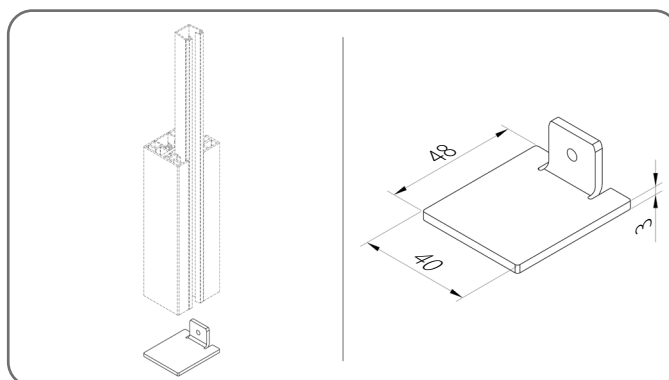
x	Colour	x	Colour	x	Colour	x	Colour
00	mill finish	21	black grey	34	quartz grey	80B	graphite grey
01	silver	22B	ultra white	37B	grey aluminium	82	alpine white
03B	grey	23B	anthracite grey	45	beige satin	IK	different colour
09	brown	29	light beige	73B	mouse grey		
16B	ivory	31B	light grey	74B	copper bronze		
20B	black	33	basalt grey	75B	metallic grey		

4.5.1. Guide channel side lock

ZPPDO SZF/2/x



ZPPD SZF/WUF_S/2/x



x	Colour	x	Colour	x	Colour	x	Colour
00	mill finish	21	black grey	34	quartz grey	80B	graphite grey
01	silver	22B	ultra white	37B	grey aluminium	82	alpine white
03B	grey	23B	anthracite grey	45	beige satin	IK	different colour
09	brown	29	light beige	73B	mouse grey		
16B	ivory	31B	light grey	74B	copper bronze		
20B	black	33	basalt grey	75B	metallic grey		

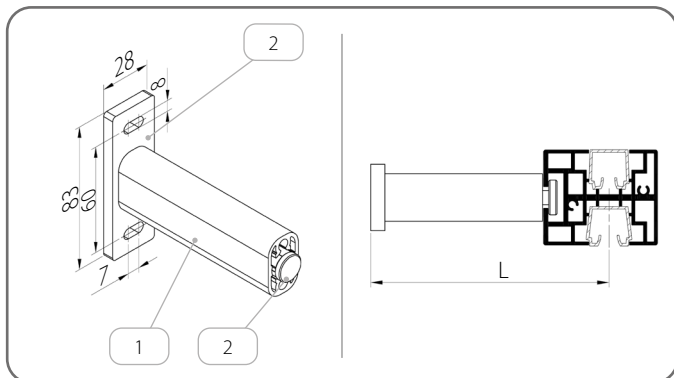
Aluminium side lock.

**CATALOGUE - TECHNICAL GUIDE FOR EXTERNAL
VENETIAN BLINDS (FACADE) SZF SkyFLOW SYSTEM**

C 80 / 4. SELF-SUPPORTING BLIND SZF/S

4.5.2. Guide channel handles

UP SZF/4/x

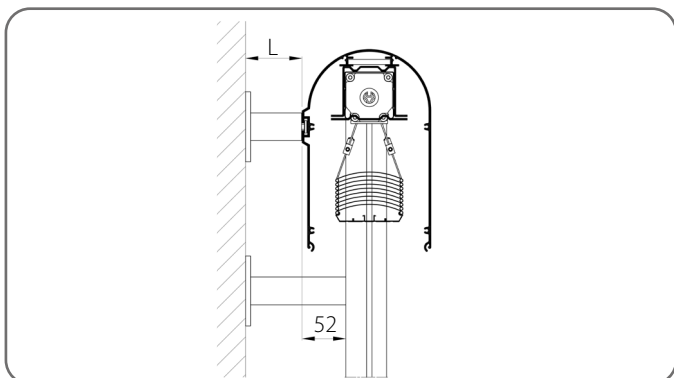


	Catalogue code	L [mm]
1.	UP SZF/4	75 - 200

	Name of the component	Catalogue code
1.	Telescopic handle profile	PUT SZF/x
2.	Telescopic handle set	ZUP SZF/4/x

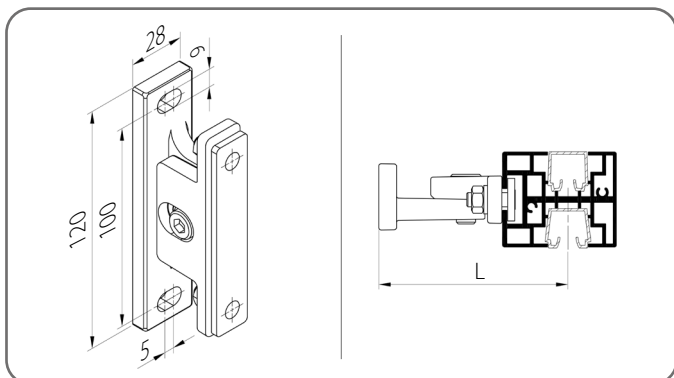
x	Colour	x	Colour	x	Colour	x	Colour
00	mill finish	21	black grey	34	quartz grey	80B	graphite grey
01	silver	22B	ultra white	37B	grey aluminium	82	alpine white
03B	grey	23B	anthracite grey	45	beige satin	IK	different colour
09	brown	29	light beige	73B	mouse grey		
16B	ivory	31B	light grey	74B	copper bronze		
20B	black	33	basalt grey	75B	metallic grey		

! An additional bracket is required to mount the box for blinds wider than 3 m.



	Catalogue code	L [mm]
1.	UP SZF/4	40 - 180


UP SZF/5



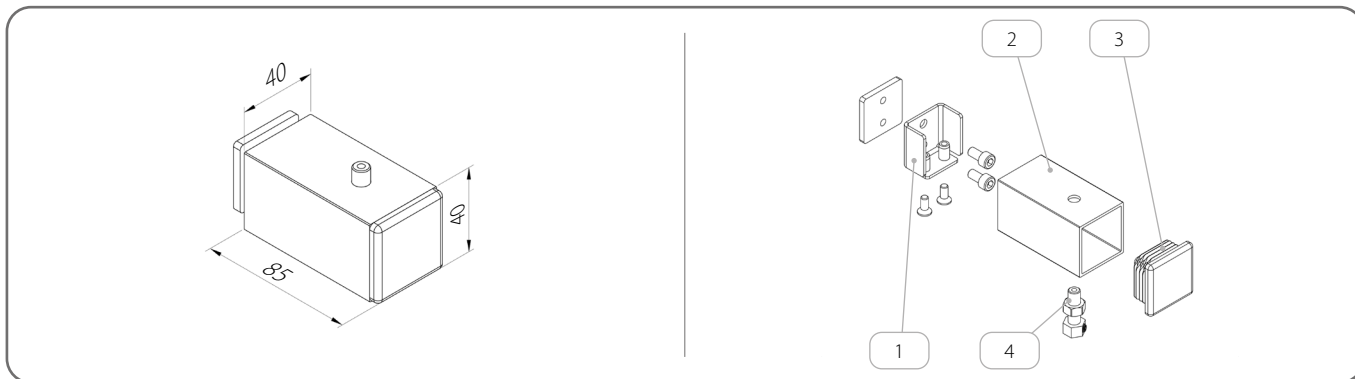
x	Colour	x	Colour
00	mill finish	33	basalt grey
01	silver	34	quartz grey
03B	grey	37B	grey aluminium
09	brown	45	beige satin
16B	ivory	73B	mouse grey
20B	black	74B	copper bronze
21	black grey	75B	metallic grey
22B	ultra white	80B	graphite grey
23B	anthracite grey	82	alpine white
29	light beige	IK	different colour
31B	light grey		

	Catalogue code	L [mm]
1.	UP SZF/5/70/x	66 - 72
2.	UP SZF/5/85/x	80 - 86

4.5.3. Guide channel wire reinforcement

 All grips come with a tensioner.

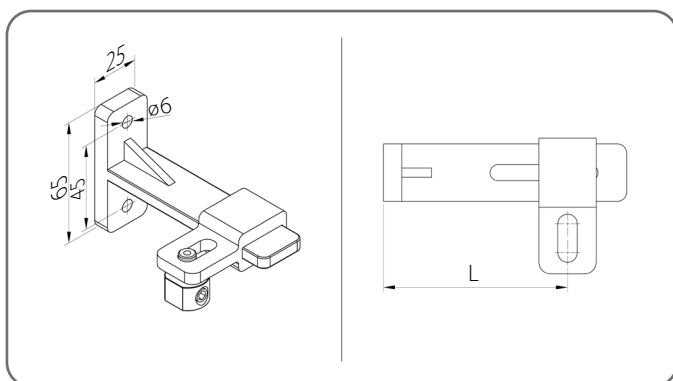
WZLP/40x40x2/x



	Name of the component	Catalogue code	Colour
1.	Reinforcement fixing set	ZM/WZLP/40x40x2	
2.	Mounting profile	U/WZLP/40x40x2/x	<i>colour table x</i>
3.	Cap	Z/WZLP/40x40x2/x	02 - white 20B - black 23B - anthracite grey
4.	Cable tensioner	NLS	

x	Colour	x	Colour	x	Colour	x	Colour
00	mill finish	21	black grey	34	quartz grey	80B	graphite grey
01	silver	22B	ultra white	37B	grey aluminium	82	alpine white
03B	grey	23B	anthracite grey	45	beige satin	IK	different colour
09	brown	29	light beige	73B	mouse grey		
16B	ivory	31B	light grey	74B	copper bronze		
20B	black	33	basalt grey	75B	metallic grey		

UDL/1



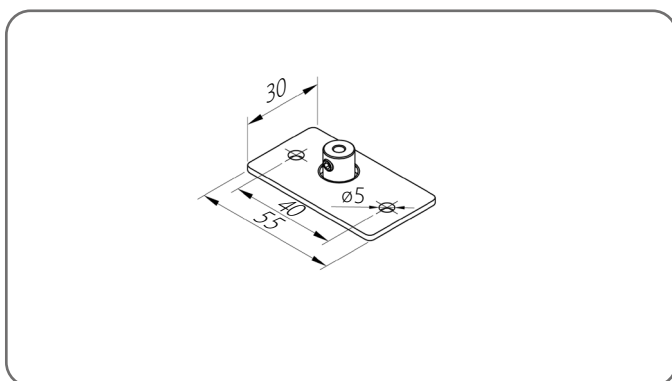
	Catalogue code	L [mm]
1.	UDL/1/90/x	50 - 90
2.	UDL/1/128/x	88 - 128
3.	UDL/1/165/x	125 - 165
4.	UDL/1/200/x	160 - 200

x	Colour	x	Colour	x	Colour	x	Colour
00	mill finish	21	black grey	34	quartz grey	80B	graphite grey
01	silver	22B	ultra white	37B	grey aluminium	82	alpine white
03B	grey	23B	anthracite grey	45	beige satin	IK	different colour
09	brown	29	light beige	73B	mouse grey		
16B	ivory	31B	light grey	74B	copper bronze		
20B	black	33	basalt grey	75B	metallic grey		

**CATALOGUE - TECHNICAL GUIDE FOR EXTERNAL
VENETIAN BLINDS (FACADE) SZF SkyFlow SYSTEM**

C 80 / 4. SELF-SUPPORTING BLIND SZF/S

UDL/3/x

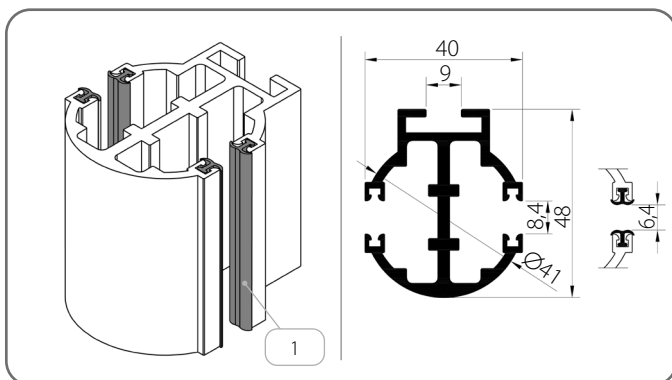


x Colour

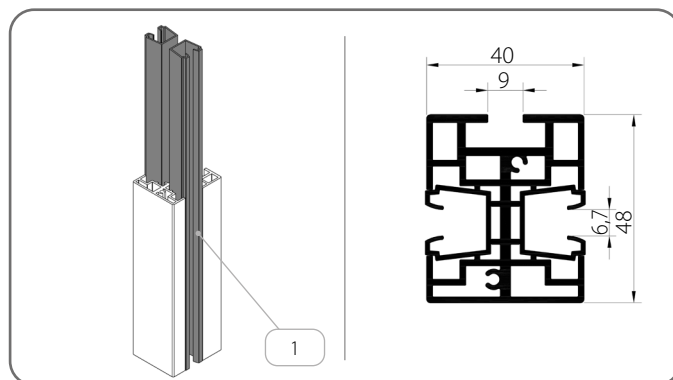
AND anodised

4.6. Division guide channels

PPDO-P SZF/2/x



PPD-P SZF/WUF_S/2/x




	Name of the component	Colour
1.	Damping seal	20 - black

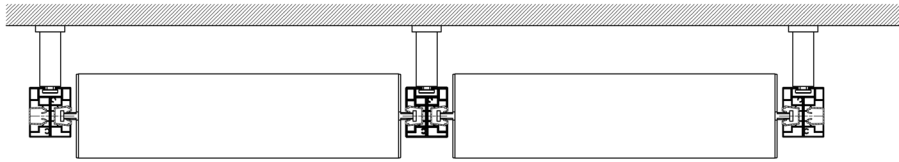
	Name of the component	Colour
1.	Guide channels insert	03 - grey 20 - black

x	Colour	x	Colour	x	Colour	x	Colour
00	mill finish	21	black grey	34	quartz grey	80B	graphite grey
01	silver	22B	ultra white	37B	grey aluminium	82	alpine white
03B	grey	23B	anthracite grey	45	beige satin	IK	different colour
09	brown	29	light beige	73B	mouse grey		
16B	ivory	31B	light grey	74B	copper bronze		
20B	black	33	basalt grey	75B	metallic grey		

4.7. Blinds joining

 A common drive for up to 3 blinds can be used.

The division of Venetian blinds



PPDO SZF/2



PPDO-P SZF/2



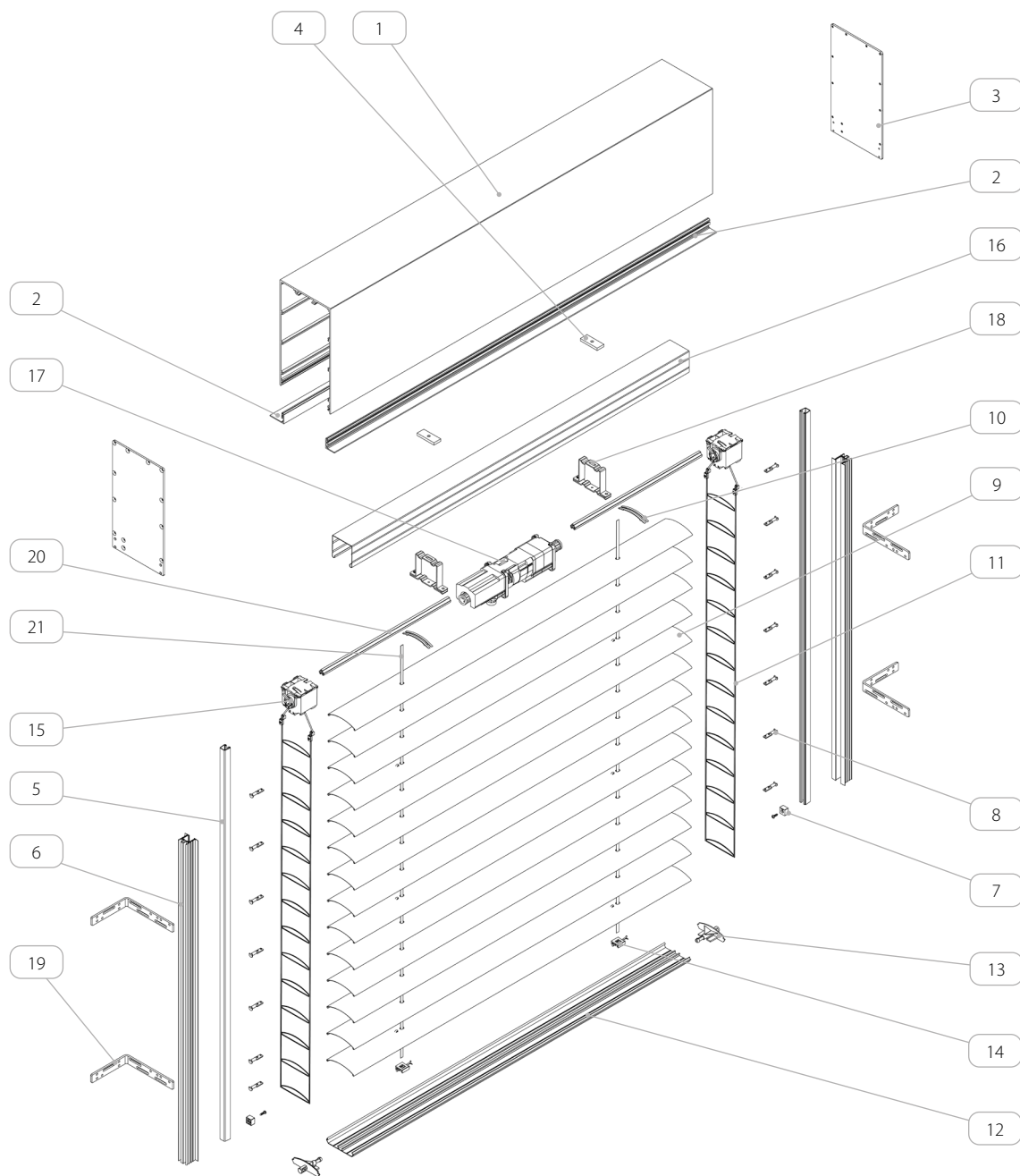
PPD SZF/WUF_S/2



PPD-P SZF/WUF_S/2



5. UNDER PLASTER BLINDS BOX/BASIC



Name of the component	
1.	Box
2.	Plaster foundation
3.	End cap
4.	Rail handle mounting bracket
5.	Guide channels insert
6.	Under plaster guide channel
7.	Venetian blind stopper
8.	Pin to C 80
9.	Profile C 80
10.	Slat clip
11.	Ladder braid C 80
12.	Bottom rail
13.	Blind for end slat
14.	Lift tape and end slat - connector
15.	Mechanism - 8 mm belt
16.	Steel rail - galvanised
17.	Drive
18.	Guide rail bracket
19.	Mounting angle
20.	Shaft 14 mm
21.	Strap 8 mm

5.1. General information

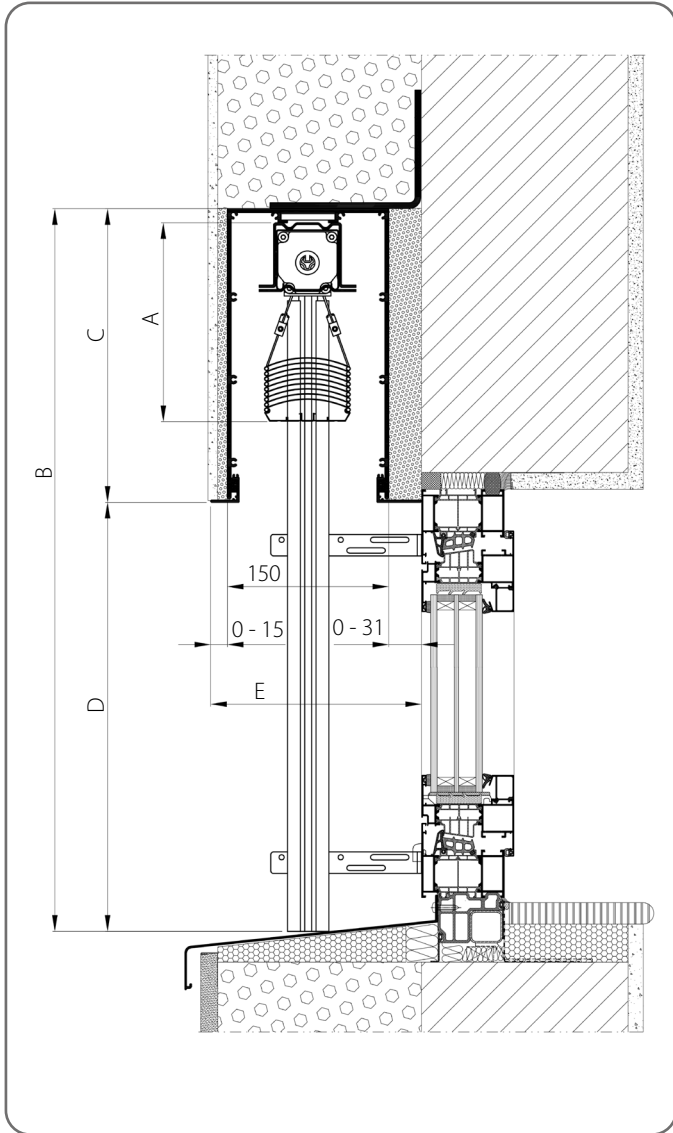


Where:

- A - HEIGHT OF THE PACKAGE [mm]
- B - BLINDS HEIGHT [mm]
- C - COVER HEIGHT [mm]
- D - CLEAR HEIGHT [mm]
- E - INSTALLATION DEPTH [mm]

- M - WIDTH OF THE PACKAGE / SLAT [mm]
- N - VENETIAN BLIND WIDTH [mm]

The measurement and installation of the venetian blind should be performed by a qualified installer.



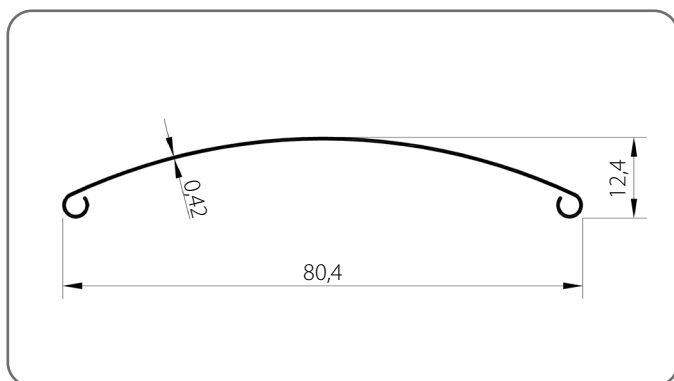
	A [mm]	B [mm]	Venetian blind with guide and/or cable guide		Venetian blind with cable reinforcement	
			C [mm]	D [mm]	C [mm]	D [mm]
1.	190	600 - 820	220	380 - 800	220	380 - 800
2.	200	821 - 1020				
3.	210	1021 - 1220				
4.	230	1221 - 1420	270	751 - 1550	270	751 - 1550
5.	240	1421 - 1620				
6.	250	1621 - 1820				
7.	260	1821 - 2020	310	1511 - 2110	310	1511 - 2110
8.	280	2021 - 2220				
9.	290	2221 - 2420				
10.	300	2421 - 2620	350	2071 - 2670	350	2071 - 2670
11.	310	2621 - 2820				
12.	320	2821 - 3020				

When dimensioning the Venetian blinds, the planned width of the insulation layer overlapping the window should be taken into account.

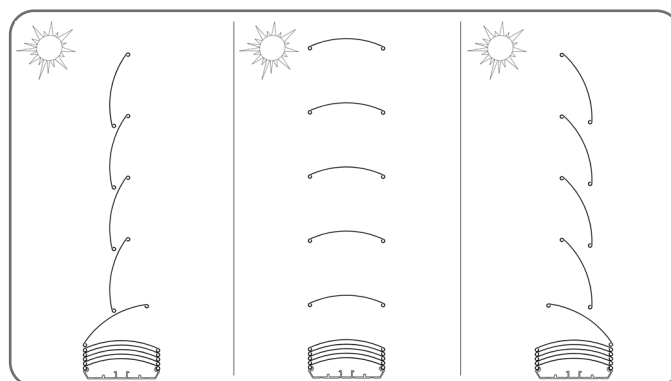
**CATALOGUE - TECHNICAL GUIDE FOR EXTERNAL
VENETIAN BLINDS (FACADE) SZF SkyFLOW SYSTEM**

C 80 / 5. UNDER PLASTER BLINDS BOX/BASIC

Slat C 80/x



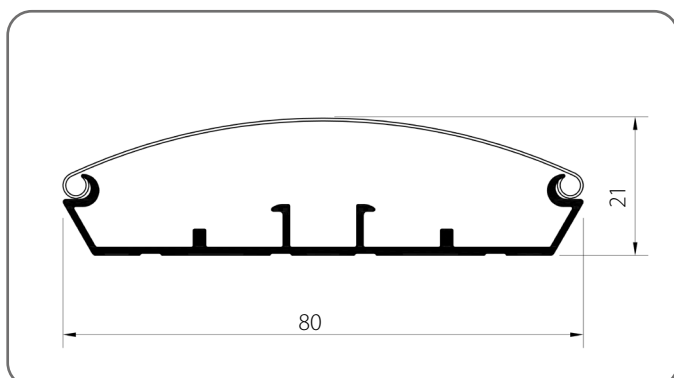
Slats rotation range - 180°*



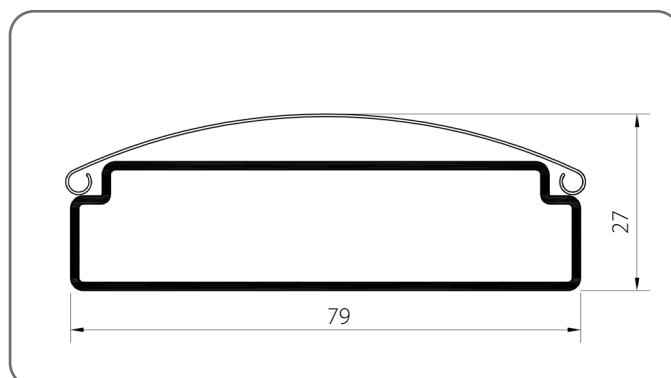
* The slat rotation angle of 180° is an approximate value.

x	Colour	x	Colour	x	Colour	x	Colour
01	silver	21	black grey	33	basalt grey	74B	copper bronze
03B	grey	22B	ultra white	34	quartz grey	75B	metallic grey
09	brown	23B	anthracite grey	37B	grey aluminium	80B	graphite grey
16B	ivory	29	light beige	45	beige satin	82	alpine white
20B	black	31B	light grey	73B	mouse grey		

Open end slat BOA/C80/x

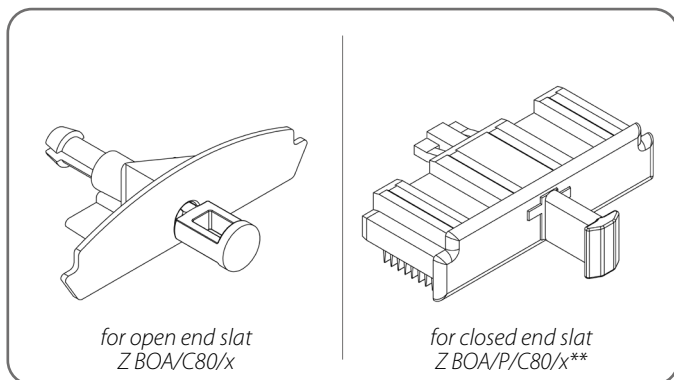


Full end slat BOA/P/C80/x**



x	Colour	x	Colour	x	Colour	x	Colour
00	mill finish	21	black grey	34	quartz grey	80B	graphite grey
01	silver	22B	ultra white	37B	grey aluminium	82	alpine white
03B	grey	23B	anthracite grey	45	beige satin	IK	different colour
09	brown	29	light beige	73B	mouse grey		
16B	ivory	31B	light grey	74B	copper bronze		
20B	black	33	basalt grey	75B	metallic grey		

End slat blind



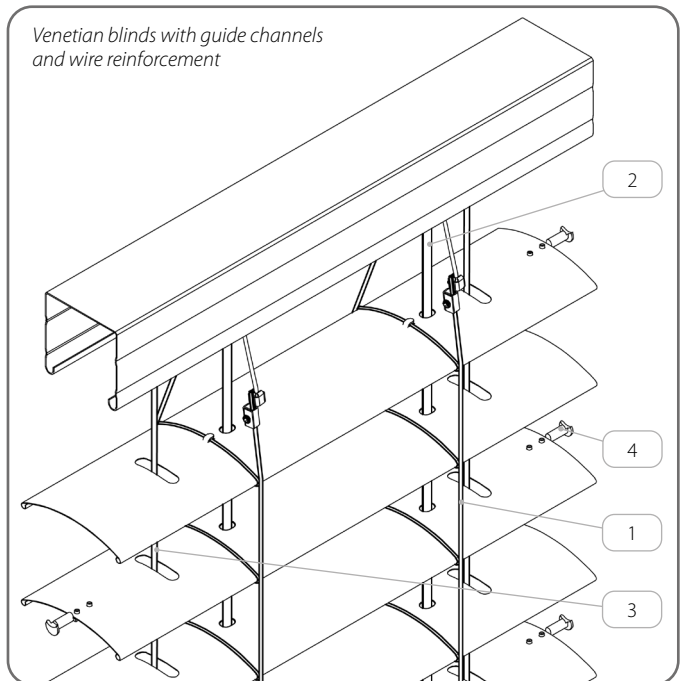
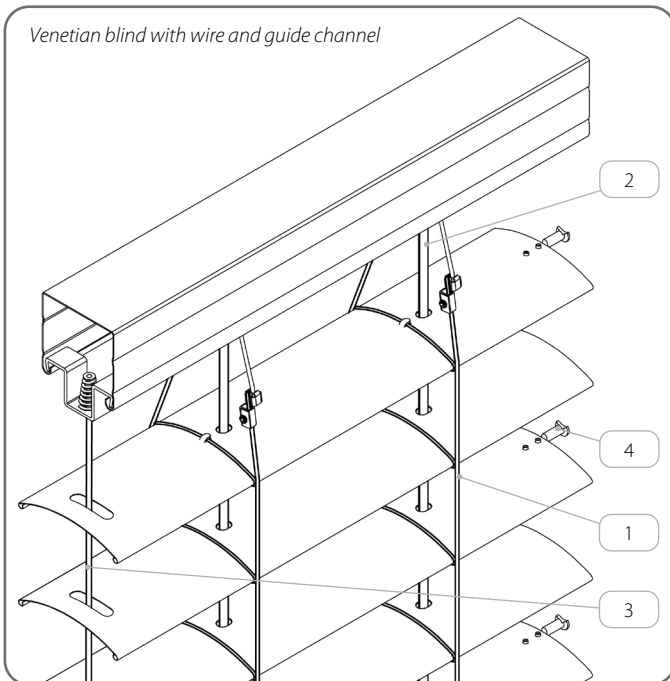
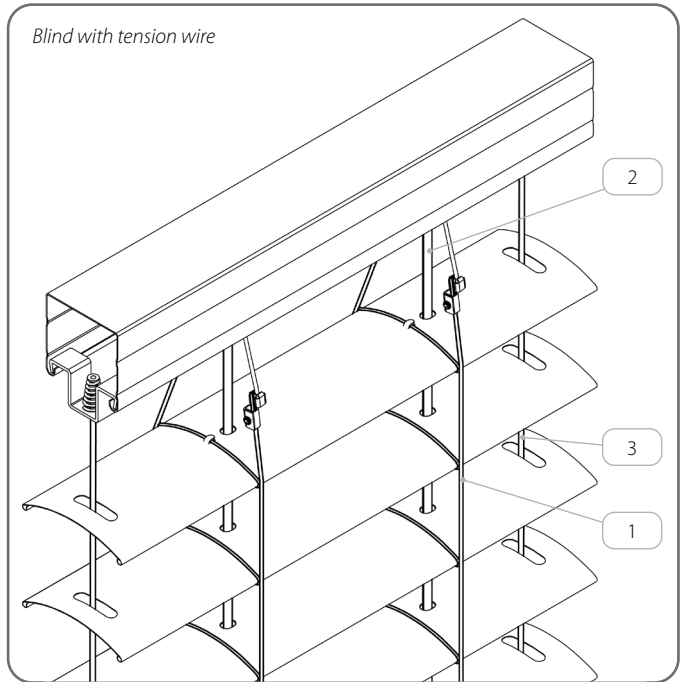
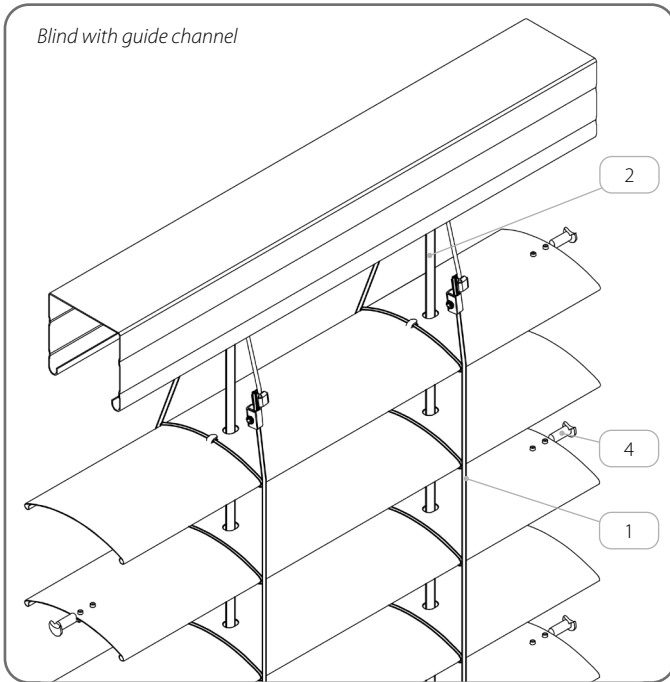
x	Colour
03	grey
20	black

** Cannot be used with cable guidance.

**CATALOGUE - TECHNICAL GUIDE FOR EXTERNAL
VENETIAN BLINDS (FACADE) SZF SKYFLOW SYSTEM**

C 80 / 5. UNDER PLASTER BLINDS BOX/BASIC

Additional accessories

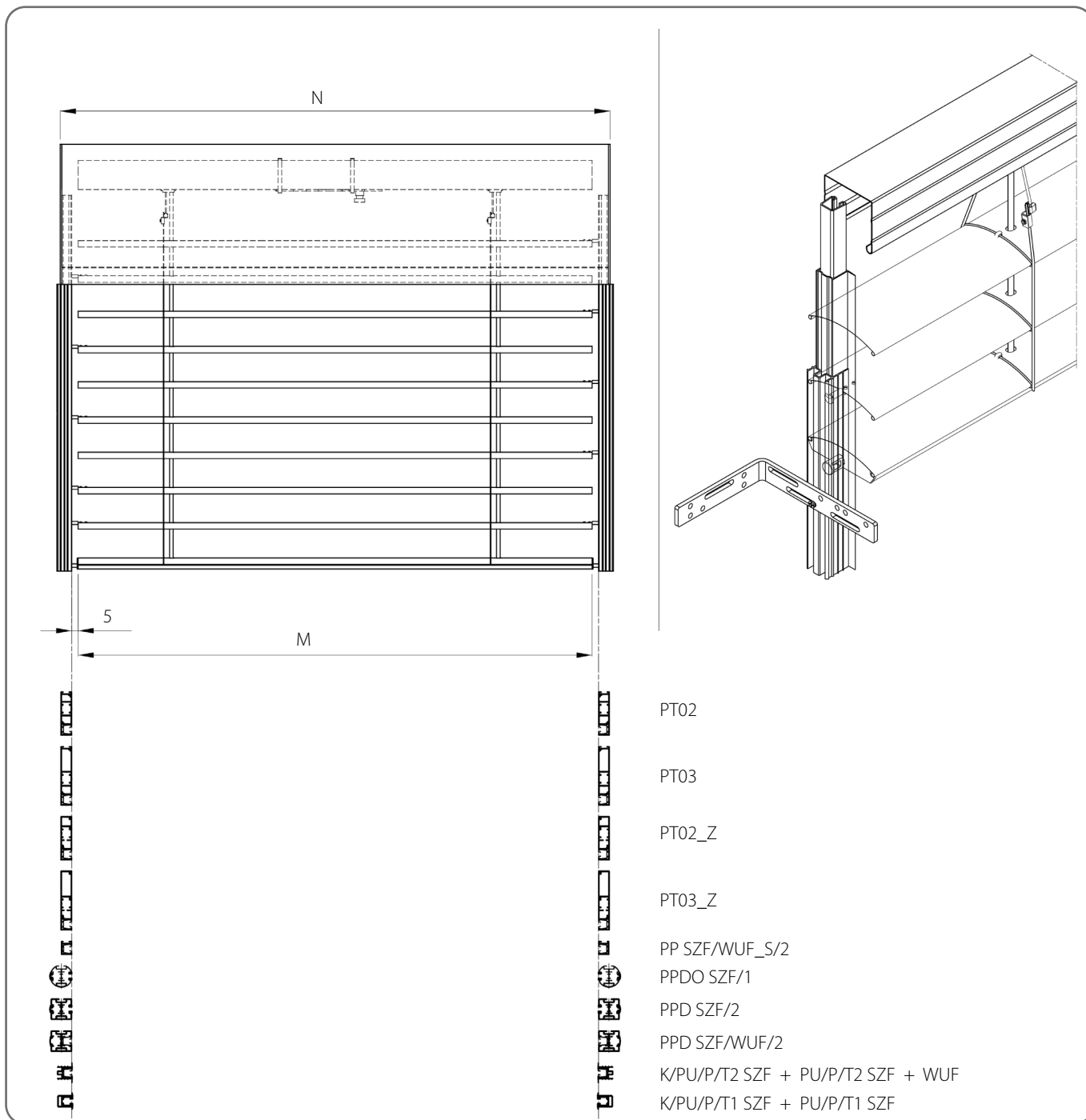


	Name of the component	Catalogue code
1.	Ladder braid C 80	D/C80/x
2.	Strap 8 mm	P SZF/8/x
3.	Steel wire Ø 3, PVC coated	LS SZF/3/x
4.	Pin to C 80 - steel	P/S/C80

x	Colour
03	grey
20	black

! Pins are mounted on every other slat for Venetian blinds with guide channels.

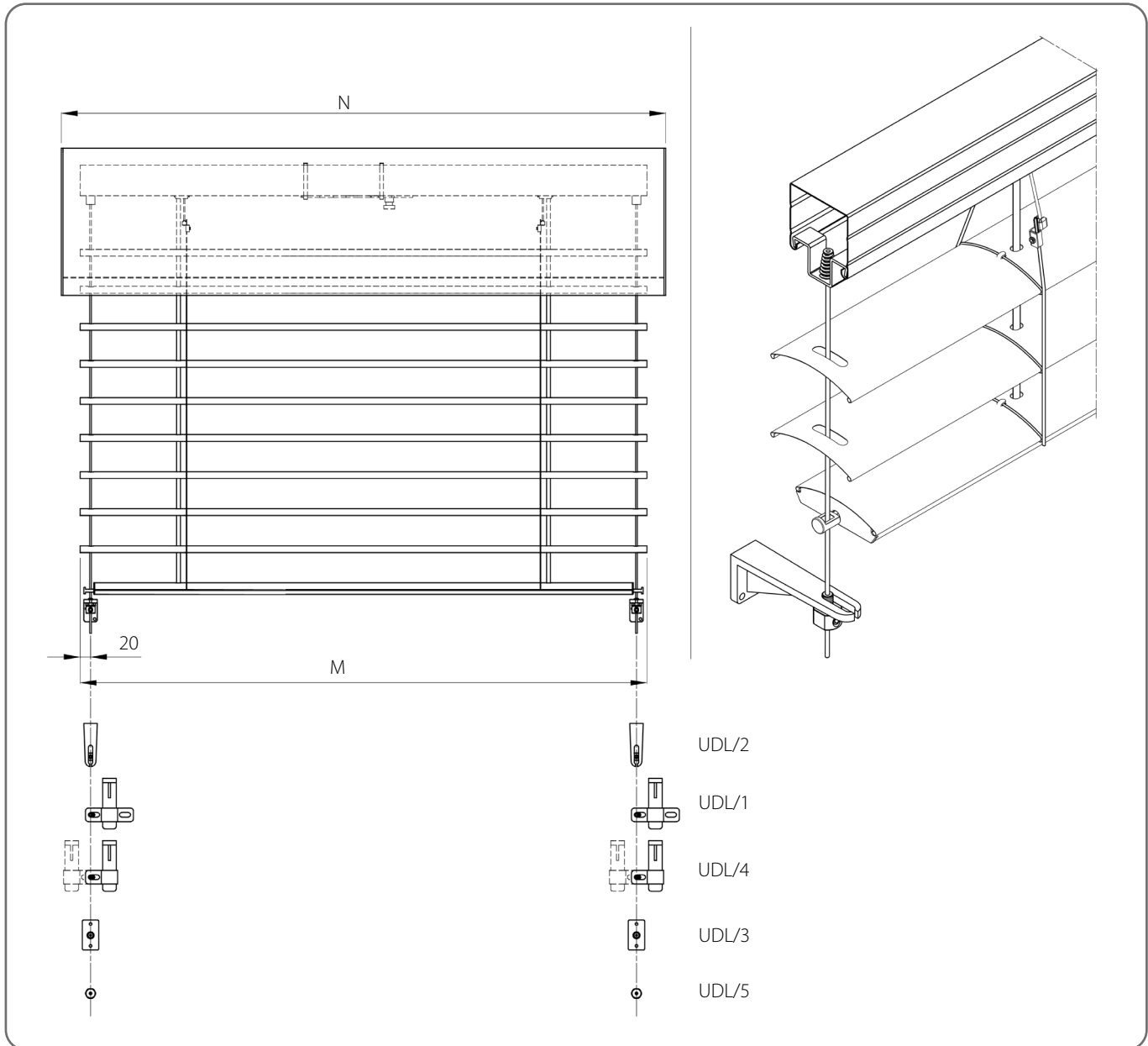
5.1.1. Blind with guide channel



Technical specifications									
Minimum		Maximum		Maximum surface [m ²]	Corner blinds	Electric drive	Motor with emergency opening	Manual drive	Installation
Width [mm]	Height [mm]	Width [mm]	Height [mm]						
600	600	4500	3020	13,59	NO	YES	YES	YES	External

⚠ When dimensioning the Venetian blinds, the planned width of the insulation layer overlapping the window should be taken into account.

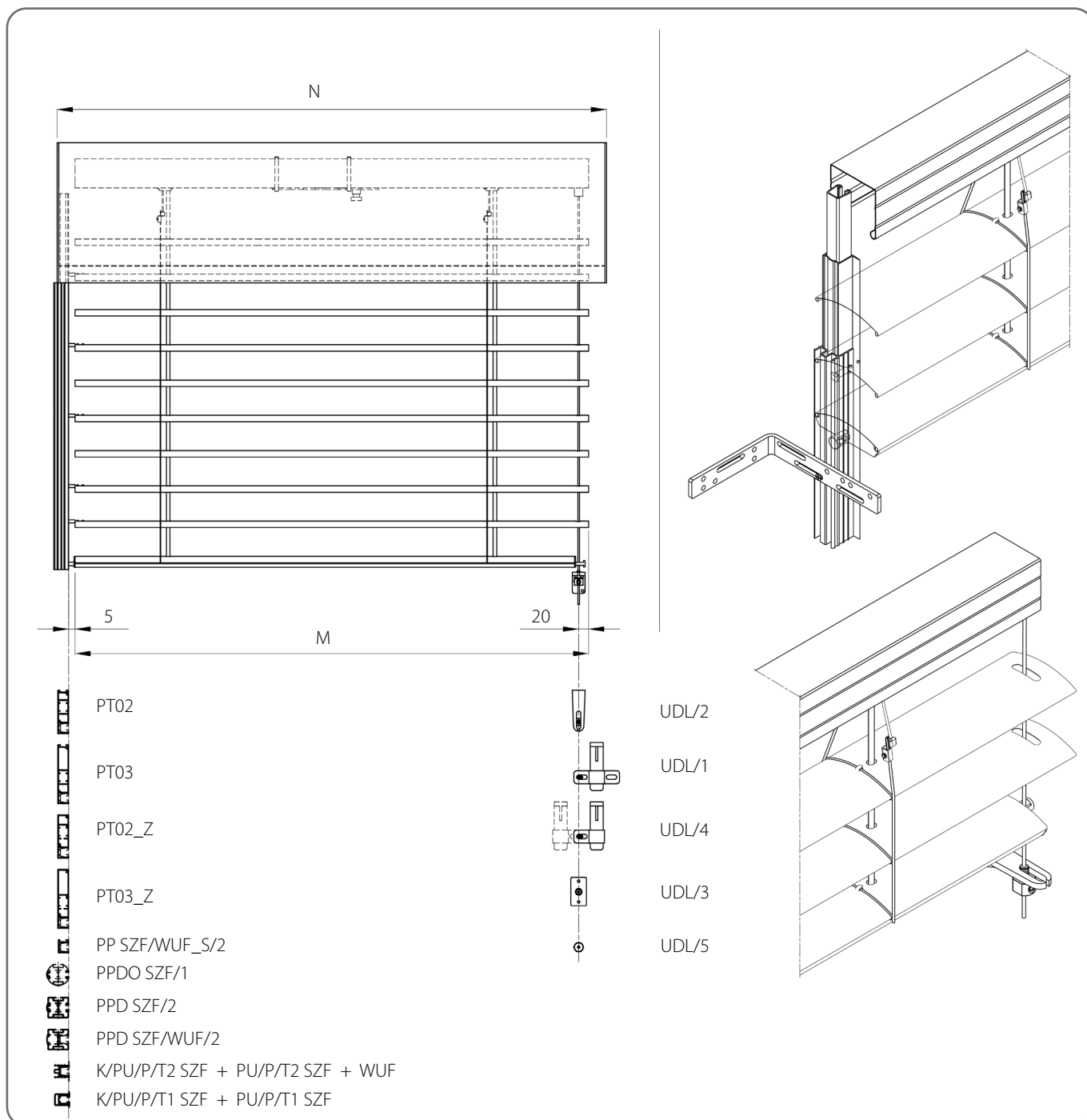
5.1.2. Blind with tension wire



Technical specifications								
Minimum		Maximum	Maximum surface [m ²]	Corner blinds	Electric drive	Motor with emergency opening	Manual drive	Installation
Width [mm]	Height [mm]	Width x Height [mm]						
600	600	3000 x 3020 4000 x 2500	10	NO	YES	YES	YES	External

 When dimensioning the Venetian blinds, the planned width of the insulation layer overlapping the window should be taken into account.

5.1.3. Venetian blind with wire and guide channel



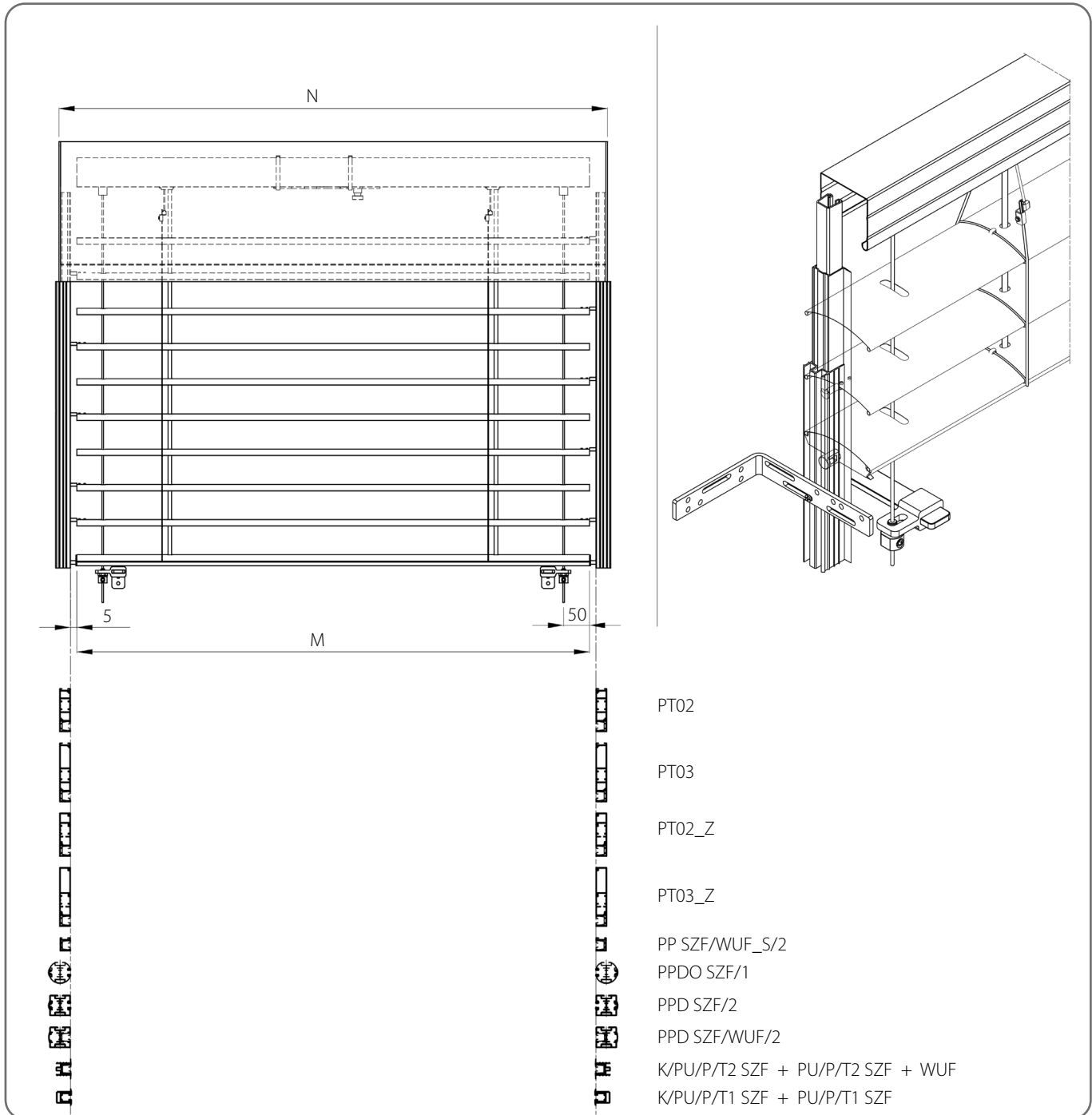
Technical specifications

Minimum		Maximum	Maximum surface [m ²]	Corner blinds	Electric drive	Motor with emergency opening	Manual drive	Installation
Width [mm]	Height [mm]	Width x Height [mm]						
600	600	3000 x 3020 4000 x 2500	10	NO	YES	YES	YES	External



When dimensioning the Venetian blinds, the planned width of the insulation layer overlapping the window should be taken into account.

5.1.4. Venetian blinds with guide channels and wire reinforcement



Technical specifications


Minimum		Maximum		Maximum surface [m ²]	Corner blinds	Electric drive	Motor with emergency opening	Manual drive	Installation
Width [mm]	Height [mm]	Width [mm]	Height [mm]						
600	600	5000	3020	15,1	NO	YES	YES	YES	External

When dimensioning the Venetian blinds, the planned width of the insulation layer overlapping the window should be taken into account.

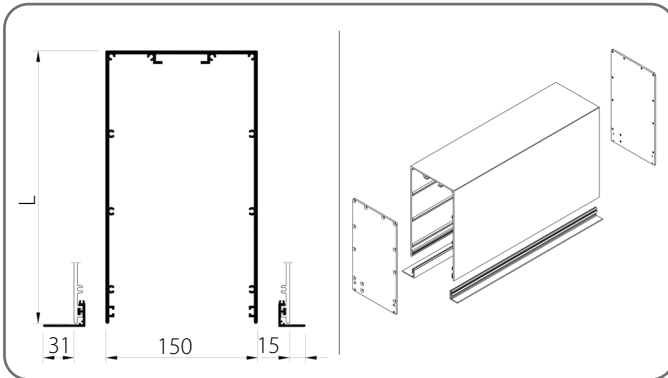
**CATALOGUE - TECHNICAL GUIDE FOR EXTERNAL
VENETIAN BLINDS (FACADE) SZF SkyFLOW SYSTEM**

C 80 / 5. UNDER PLASTER BLINDS BOX/BASIC

5.2. Box


 It is possible to configure the blinds without the box.

Under plaster box

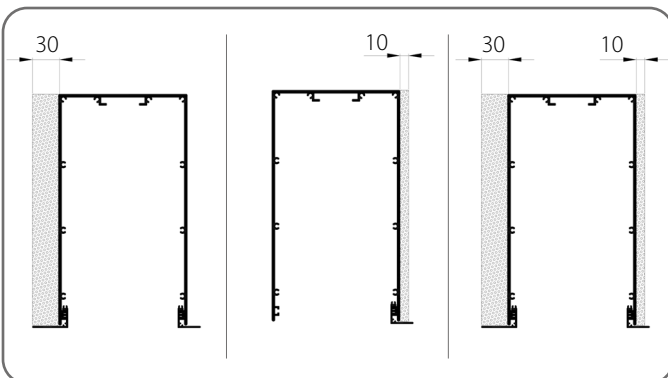


	L [mm]	X [mm]	Y [mm]
1.	277	40	-
2.	337	100	100
3.	397	160	160

x	Colour	x	Colour	x	Colour	x	Colour
00	mill finish	21	black grey	34	quartz grey	80B	graphite grey
01	silver	22B	ultra white	37B	grey aluminium	82	alpine white
03B	grey	23B	anthracite grey	45	beige satin	IK	different colour
09	brown	29	light beige	73B	mouse grey		
16B	ivory	31B	light grey	74B	copper bronze		
20B	black	33	basalt grey	75B	metallic grey		

 Maximum width for a single element - 6 m.

5.2.1. Plaster foundation



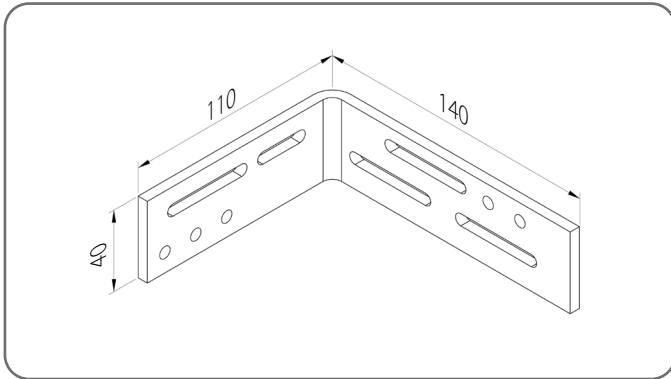
	Catalogue code	Name of the component
1.	NT/XPS/10	Plaster foundation NT/XPS/10
2.	NT/XPS/30	Plaster foundation NT/XPS/30

**CATALOGUE - TECHNICAL GUIDE FOR EXTERNAL
VENETIAN BLINDS (FACADE) SZF SkyFLOW SYSTEM**

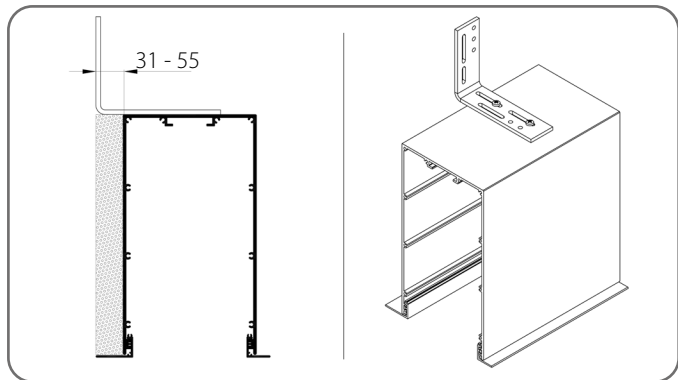
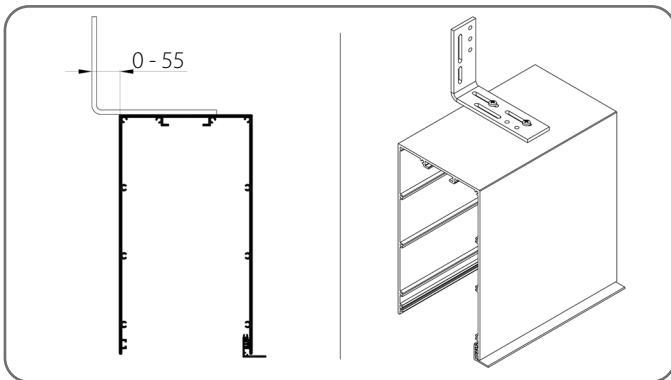
C 80 / 5. UNDER PLASTER BLINDS BOX/BASIC

5.2.2. Mounting angle

KMK/140x110

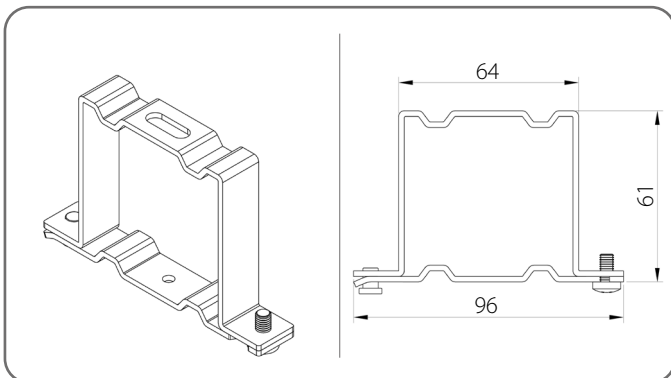


	Width of box [mm]	Number of angles
1.	600 - 1600	3
2.	1601 - 2400	4
3.	2401 - 3200	5
4.	3201 - 4000	6
5.	4001 - 4500	7
6.	4501 - 5000	8
7.	5001 - 5500	9
8.	5501 - 6000	10

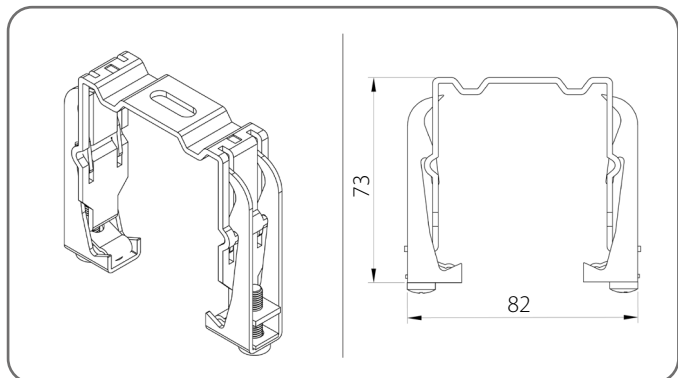


5.3. Top guide rail bracket

Standard guide rail bracket - US/A



Springy guide rail bracket - US/B



Number of top rail handles

Venetian blind width [mm]	600 - 1600	1601 - 2400	2401 - 3200	3201 - 4000	4001 - 4500	4501 - 5000
Quantity	2	3	4	5	6	7

**CATALOGUE - TECHNICAL GUIDE FOR EXTERNAL
VENETIAN BLINDS (FACADE) SZF SkyFLOW SYSTEM**

C 80 / 5. UNDER PLASTER BLINDS BOX/BASIC

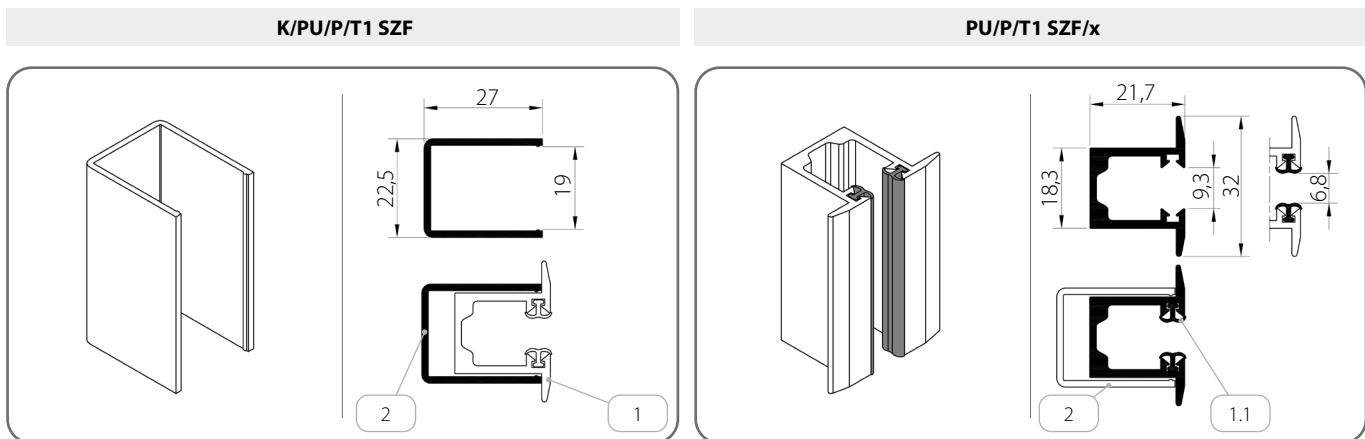
5.4. Other information

Blinds height [mm]	Slat width [mm]						
600 - 2500	1400	2400	3400	4400	5000	-	-
2501 - 3000	1300	2200	3100	4000	4900	5000	-
3001 - 4500	1200	2000	2800	3600	4400	5000	-
4501 - 5000	1100	1800	2500	3200	3900	4600	5000
Number of strap mechanisms	2	3	4	5	6	7	8

Guide channel handle				
Blinds height [mm]	600 - 1600	1601 - 2600	2601 - 3600	3601 - 4400
Number of handles [for 1 pcs guide channel]	2	3	4	5

5.5. Guide channels

5.5.1. Guide channels - I Group

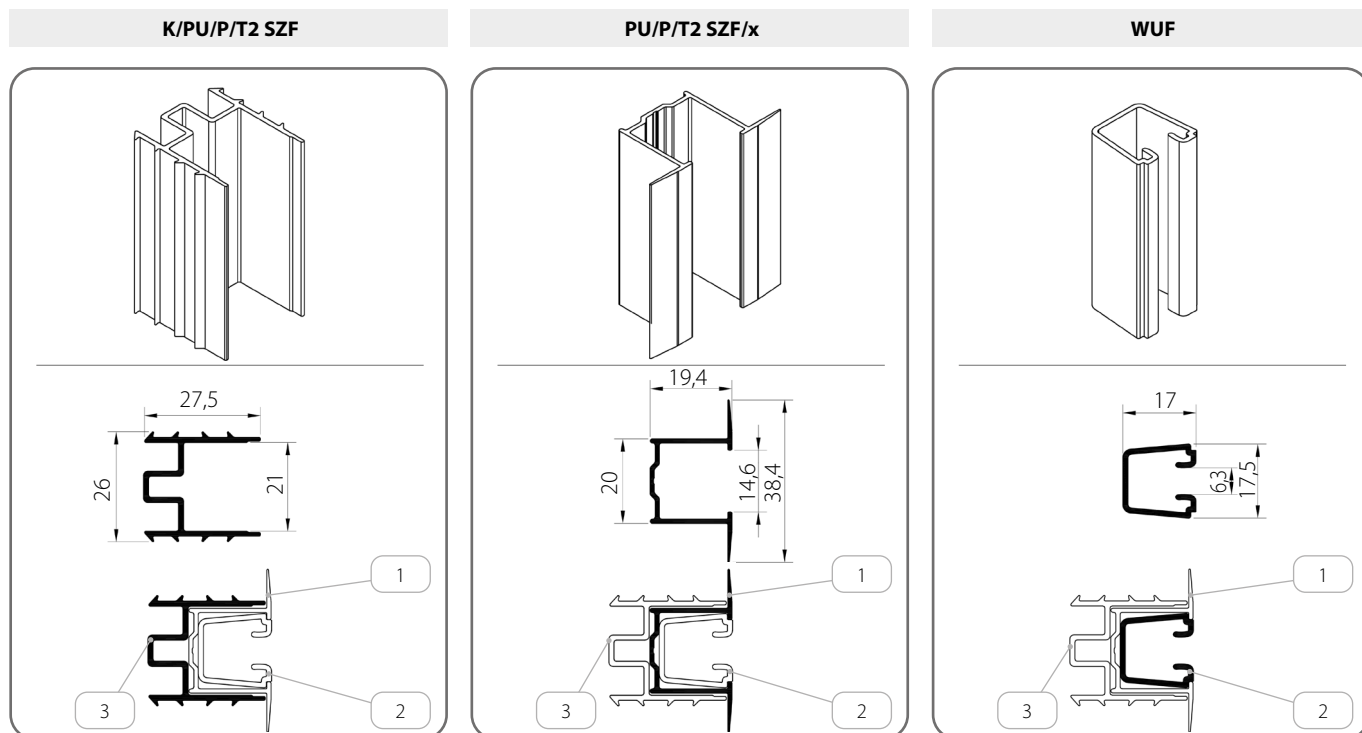


	Name of the component	Colour	Catalogue code
1.	Under plaster simple guide channel	x	PU/P/T1 SZF/x
1.1.	Damping seal	20 - black	-
2.	Under plaster simple guide channel pocket	-	K/PU/P/T1 SZF

x	Colour	x	Colour	x	Colour	x	Colour
00	mill finish	21	black grey	34	quartz grey	80B	graphite grey
01	silver	22B	ultra white	37B	grey aluminium	82	alpine white
03B	grey	23B	anthracite grey	45	beige satin	IK	different colour
09	brown	29	light beige	73B	mouse grey		
16B	ivory	31B	light grey	74B	copper bronze		
20B	black	33	basalt grey	75B	metallic grey		

**CATALOGUE - TECHNICAL GUIDE FOR EXTERNAL
VENETIAN BLINDS (FACADE) SZF SKYFLOW SYSTEM**

C 80 / 5. UNDER PLASTER BLINDS BOX/BASIC

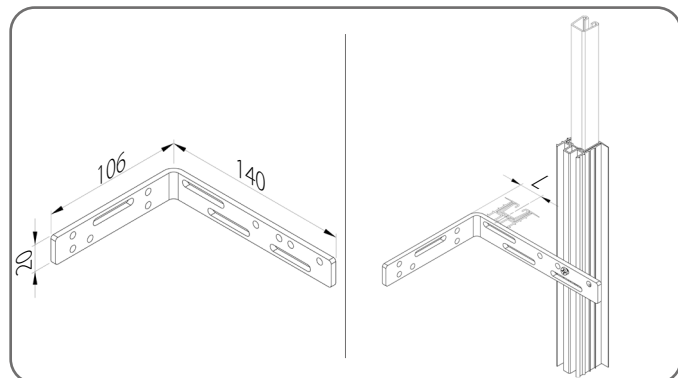


	Name of the component	Colour	Catalogue code
1.	Under plaster simple guide channel	x	PU/P/T2 SZF/x
2.	Guide channels insert	20 - black	WUF
3.	Under plaster simple guide channel pocket	-	K/PU/P/T2 SZF

x	Colour	x	Colour	x	Colour	x	Colour
00	mill finish	21	black grey	34	quartz grey	80B	graphite grey
01	silver	22B	ultra white	37B	grey aluminium	82	alpine white
03B	grey	23B	anthracite grey	45	beige satin	IK	different colour
09	brown	29	light beige	73B	mouse grey		
16B	ivory	31B	light grey	74B	copper bronze		
20B	black	33	basalt grey	75B	metallic grey		

5.5.1.1. Mounting angle

KMK/140x100



	Catalogue code	L [mm]
1.	KMK/140x100	15 - 130

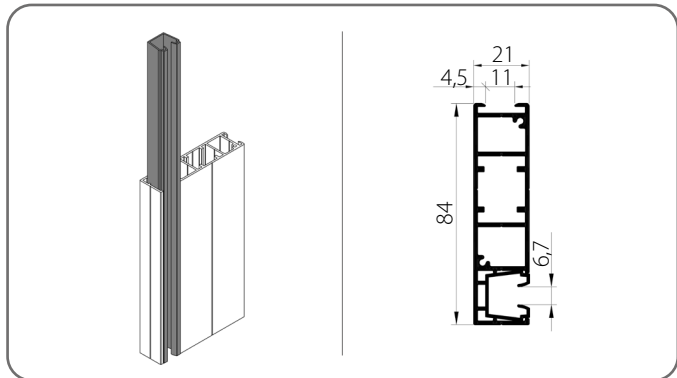
	Blinds height [mm]	Number of angles [for 1 pcs guide channel]
1.	600 - 1600	2
2.	1601 - 2600	3
3.	2601 - 3600	4
4.	3601 - 4400	5

**CATALOGUE - TECHNICAL GUIDE FOR EXTERNAL
VENETIAN BLINDS (FACADE) SZF SkyFLOW SYSTEM**

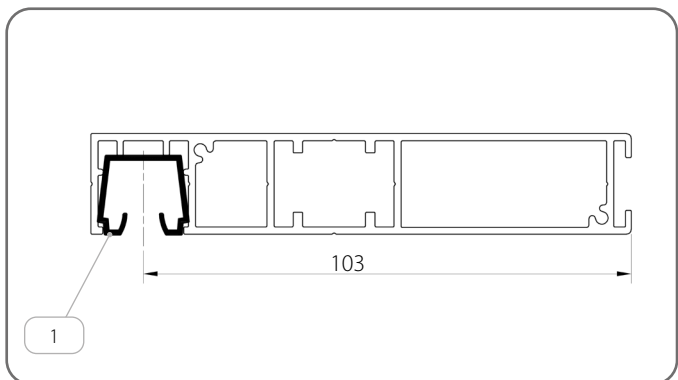
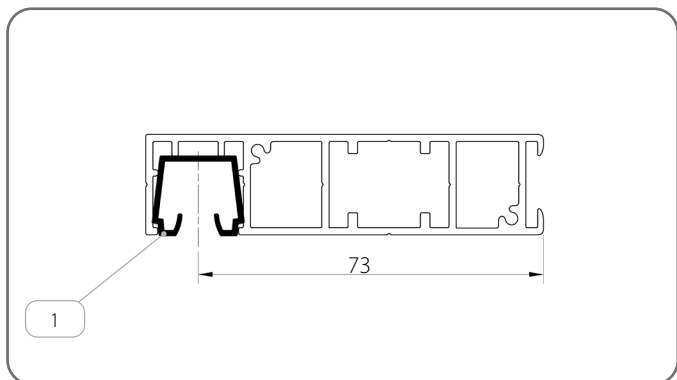
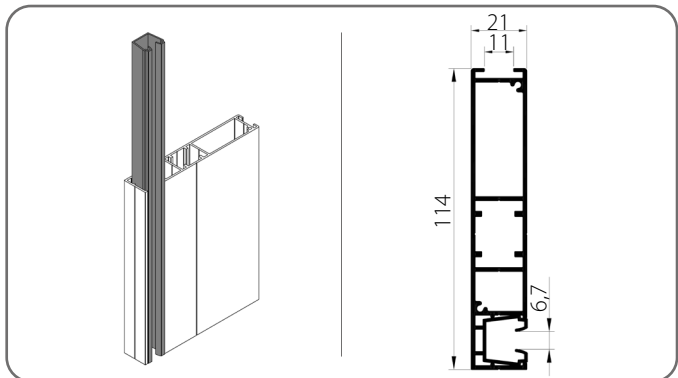
C 80 / 5. UNDER PLASTER BLINDS BOX/BASIC

5.5.2. Guide channels - Group II

PT02/x



PT03/x



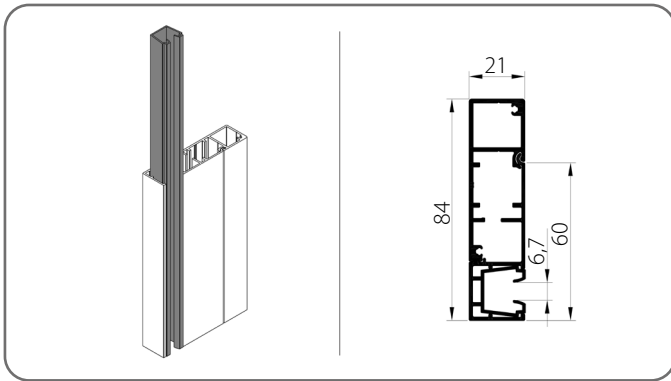
Name of the component		Colour
1.	Guide channels insert	03 - grey 20 - black

x	Colour	x	Colour	x	Colour	x	Colour
00	mill finish	21	black grey	34	quartz grey	80B	graphite grey
01	silver	22B	ultra white	37B	grey aluminium	82	alpine white
03B	grey	23B	anthracite grey	45	beige satin	IK	different colour
09	brown	29	light beige	73B	mouse grey		
16B	ivory	31B	light grey	74B	copper bronze		
20B	black	33	basalt grey	75B	metallic grey		

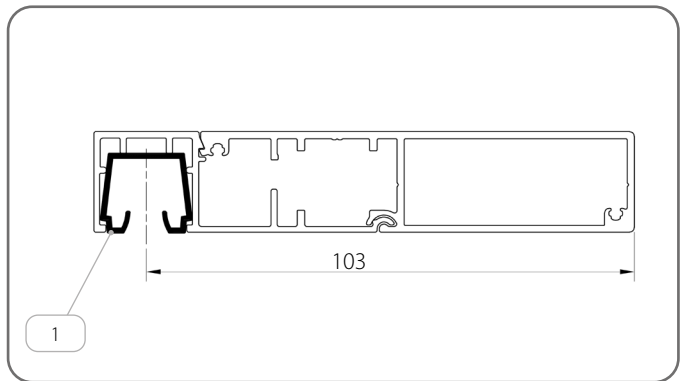
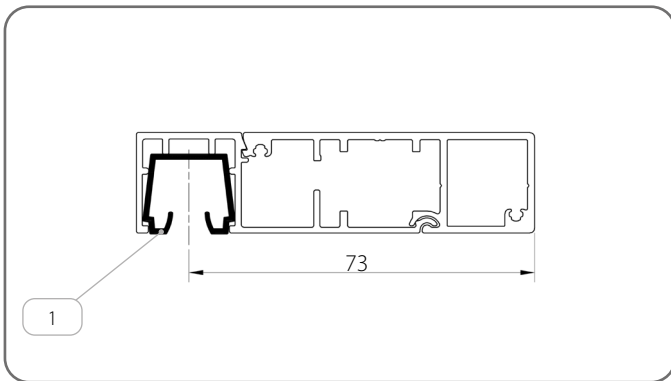
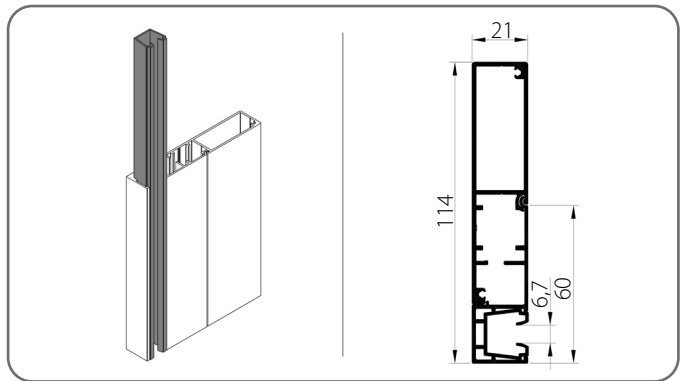
**CATALOGUE - TECHNICAL GUIDE FOR EXTERNAL
VENETIAN BLINDS (FACADE) SZF SkyFlow SYSTEM**

C 80 / 5. UNDER PLASTER BLINDS BOX/BASIC

PT02_Z/x



PT03_Z/x



Name of the component		Colour
1.	Guide channels insert	03 - grey 20 - black

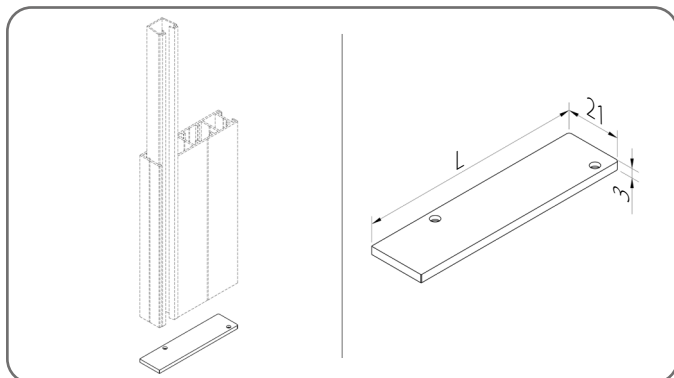
x	Colour	x	Colour	x	Colour	x	Colour
00	mill finish	21	black grey	34	quartz grey	80B	graphite grey
01	silver	22B	ultra white	37B	grey aluminium	82	alpine white
03B	grey	23B	anthracite grey	45	beige satin	IK	different colour
09	brown	29	light beige	73B	mouse grey		
16B	ivory	31B	light grey	74B	copper bronze		
20B	black	33	basalt grey	75B	metallic grey		

**CATALOGUE - TECHNICAL GUIDE FOR EXTERNAL
VENETIAN BLINDS (FACADE) SZF SkyFLOW SYSTEM**

C 80 / 5. UNDER PLASTER BLINDS BOX/BASIC

5.5.2.1. Guide channel side lock

For guide channels type PT

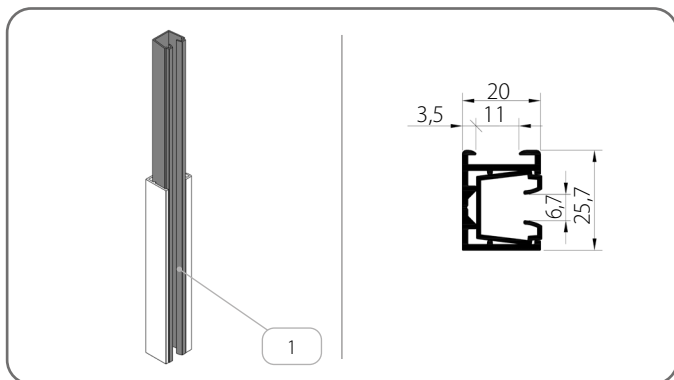


	Catalogue code	L [mm]
1.	ZPT02/x	83,5
2.	ZPT03/x	113
3.	ZPT02_Z/x	83,5
4.	ZPT03_Z/x	113,5

x	Colour	x	Colour	x	Colour	x	Colour
00	mill finish	21	black grey	34	quartz grey	80B	graphite grey
01	silver	22B	ultra white	37B	grey aluminium	82	alpine white
03B	grey	23B	anthracite grey	45	beige satin	IK	different colour
09	brown	29	light beige	73B	mouse grey		
16B	ivory	31B	light grey	74B	copper bronze		
20B	black	33	basalt grey	75B	metallic grey		

5.5.3. Guide channels - Group III

PP SZF/WUF_S/2/x

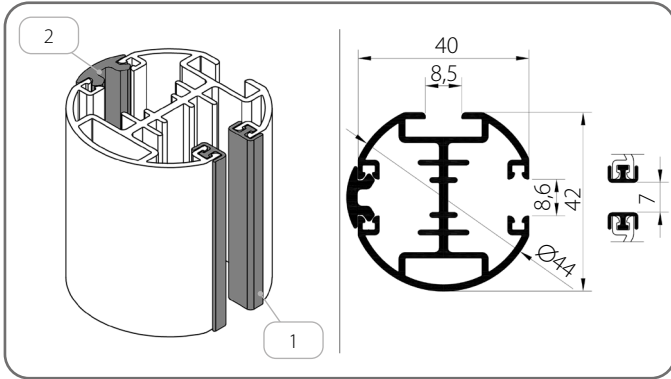


	Name of the component	Colour
1.	Guide channels insert	03 - grey 20 - black

x	Colour	x	Colour	x	Colour	x	Colour
00	mill finish	21	black grey	34	quartz grey	80B	graphite grey
01	silver	22B	ultra white	37B	grey aluminium	82	alpine white
03B	grey	23B	anthracite grey	45	beige satin	IK	different colour
09	brown	29	light beige	73B	mouse grey		
16B	ivory	31B	light grey	74B	copper bronze		
20B	black	33	basalt grey	75B	metallic grey		

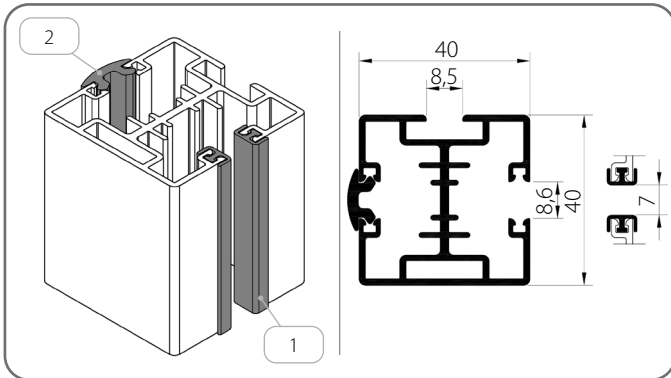
5.5.4. Guide channels - Group IV

PPDO SZF/1/x



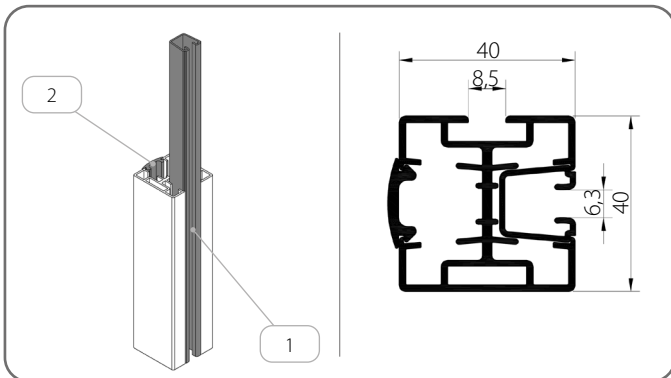
	Name of the component	Colour
1.	Damping seal	20 - black
2.	Masking seal	03 - grey 20 - black

PPD SZF/2/x



	Name of the component	Colour
1.	Damping seal	20 - black
2.	Masking seal	03 - grey 20 - black

PPD SZF/WUF/2/x



	Name of the component	Colour
1.	Guide channels insert	20 - black
2.	Masking seal	03 - grey 20 - black

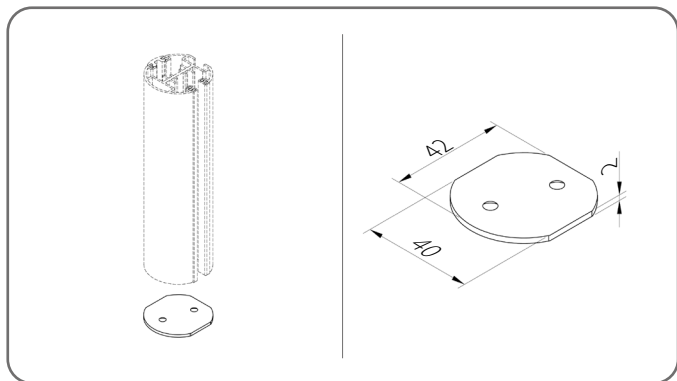
x	Colour	x	Colour	x	Colour	x	Colour
00	mill finish	21	black grey	34	quartz grey	80B	graphite grey
01	silver	22B	ultra white	37B	grey aluminium	82	alpine white
03B	grey	23B	anthracite grey	45	beige satin	IK	different colour
09	brown	29	light beige	73B	mouse grey		
16B	ivory	31B	light grey	74B	copper bronze		
20B	black	33	basalt grey	75B	metallic grey		

**CATALOGUE - TECHNICAL GUIDE FOR EXTERNAL
VENETIAN BLINDS (FACADE) SZF SkyFLOW SYSTEM**

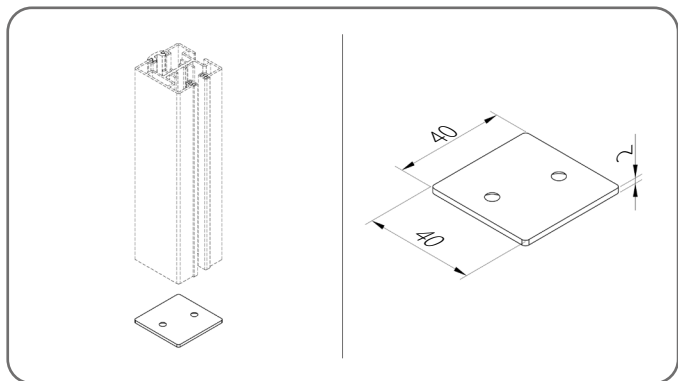
C 80 / 5. UNDER PLASTER BLINDS BOX/BASIC

5.5.4.1. Guide channel side lock

ZPPDO SZF/1



ZPPD SZF/2



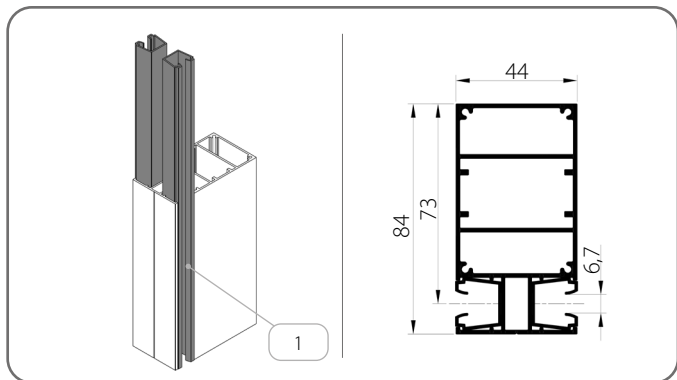
x	Colour	x	Colour	x	Colour	x	Colour
00	mill finish	21	black grey	34	quartz grey	80B	graphite grey
01	silver	22B	ultra white	37B	grey aluminium	82	alpine white
03B	grey	23B	anthracite grey	45	beige satin	IK	different colour
09	brown	29	light beige	73B	mouse grey		
16B	ivory	31B	light grey	74B	copper bronze		
20B	black	33	basalt grey	75B	metallic grey		

Aluminium side lock.

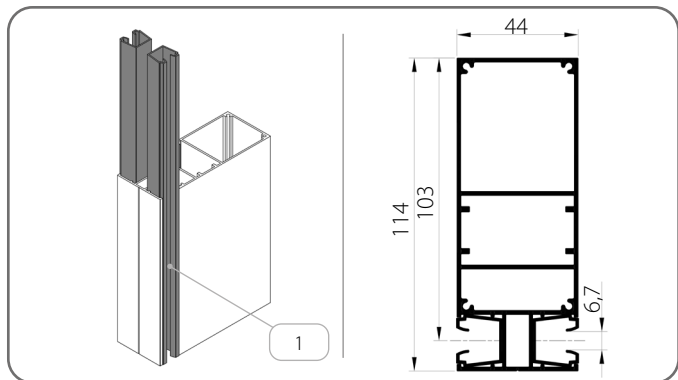
5.6. Division guide channels

5.6.1. Guide channels - Group II

PT04/x



PT05/x



	Name of the component	Colour
1.	Guide channels insert	03 - grey 20 - black

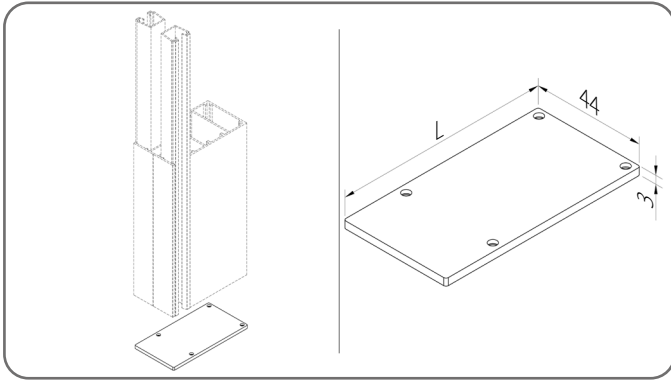
x	Colour	x	Colour	x	Colour	x	Colour
00	mill finish	21	black grey	34	quartz grey	80B	graphite grey
01	silver	22B	ultra white	37B	grey aluminium	82	alpine white
03B	grey	23B	anthracite grey	45	beige satin	IK	different colour
09	brown	29	light beige	73B	mouse grey		
16B	ivory	31B	light grey	74B	copper bronze		
20B	black	33	basalt grey	75B	metallic grey		

**CATALOGUE - TECHNICAL GUIDE FOR EXTERNAL
VENETIAN BLINDS (FACADE) SZF SKYFLOW SYSTEM**

C 80 / 5. UNDER PLASTER BLINDS BOX/BASIC

5.6.1.1. Guide channel side lock

For guide channels type PT

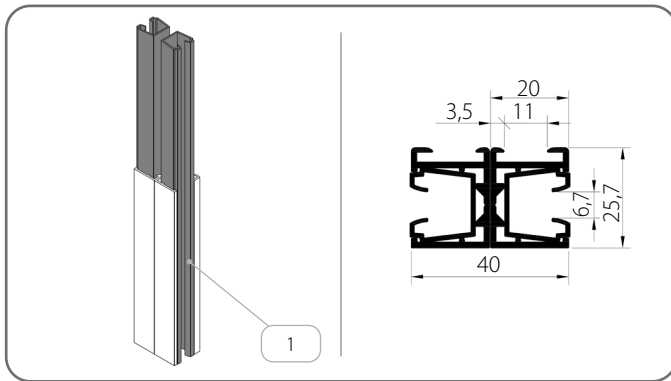


	Catalogue code	L [mm]
1.	ZPT04/x	83,5
2.	ZPT05/x	113,5

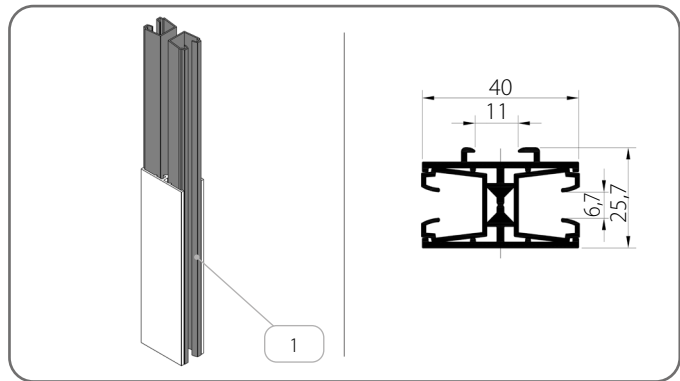
x	Colour	x	Colour	x	Colour	x	Colour
00	mill finish	21	black grey	34	quartz grey	80B	graphite grey
01	silver	22B	ultra white	37B	grey aluminium	82	alpine white
03B	grey	23B	anthracite grey	45	beige satin	IK	different colour
09	brown	29	light beige	73B	mouse grey		
16B	ivory	31B	light grey	74B	copper bronze		
20B	black	33	basalt grey	75B	metallic grey		

5.6.2. Guide channels - Group III

PP SZF/WUF_S/2/x + PP SZF/WUF_S/2/x



PPD SZF/WUF_S/1/x

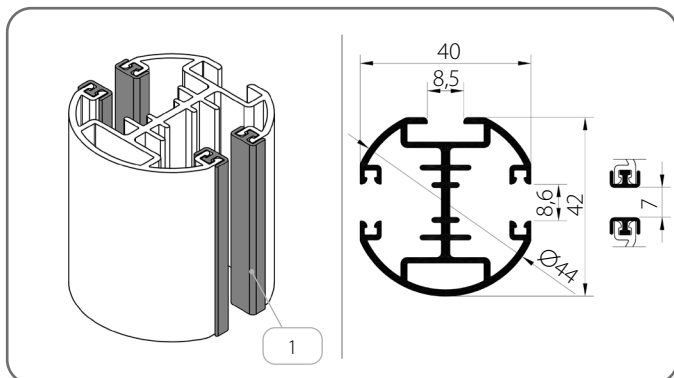


	Name of the component	Colour
1.	Guide channels insert	03 - grey 20 - black

x	Colour	x	Colour	x	Colour	x	Colour
00	mill finish	21	black grey	34	quartz grey	80B	graphite grey
01	silver	22B	ultra white	37B	grey aluminium	82	alpine white
03B	grey	23B	anthracite grey	45	beige satin	IK	different colour
09	brown	29	light beige	73B	mouse grey		
16B	ivory	31B	light grey	74B	copper bronze		
20B	black	33	basalt grey	75B	metallic grey		

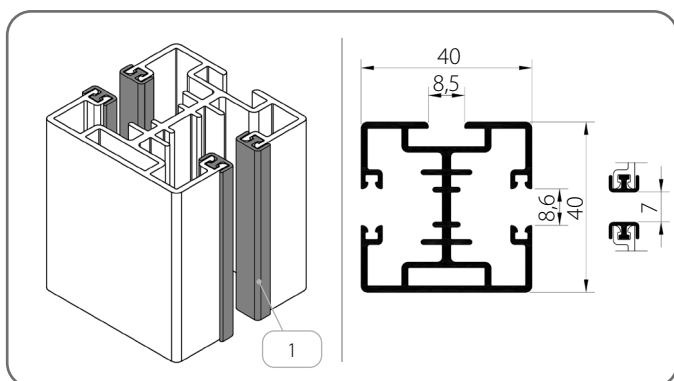
5.6.3. Guide channels - Group IV

PPDO-P SZF/1/x



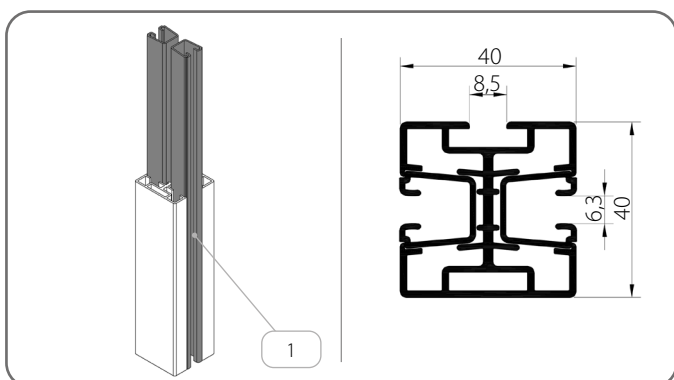
	Name of the component	Colour
1.	Guide channels insert	20 - black

PPD-P SZF/2/x



	Name of the component	Colour
1.	Guide channels insert	20 - black

PPD-P SZF/WUF/2/x



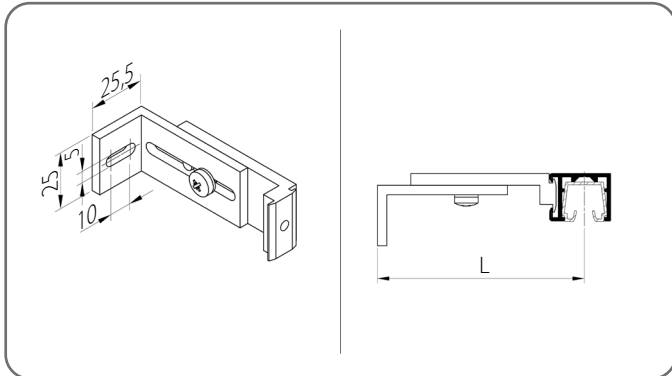
	Name of the component	Colour
1.	Guide channels insert	20 - black

x	Colour	x	Colour	x	Colour	x	Colour
00	mill finish	21	black grey	34	quartz grey	80B	graphite grey
01	silver	22B	ultra white	37B	grey aluminium	82	alpine white
03B	grey	23B	anthracite grey	45	beige satin	IK	different colour
09	brown	29	light beige	73B	mouse grey		
16B	ivory	31B	light grey	74B	copper bronze		
20B	black	33	basalt grey	75B	metallic grey		

5.7. Guide channel handles

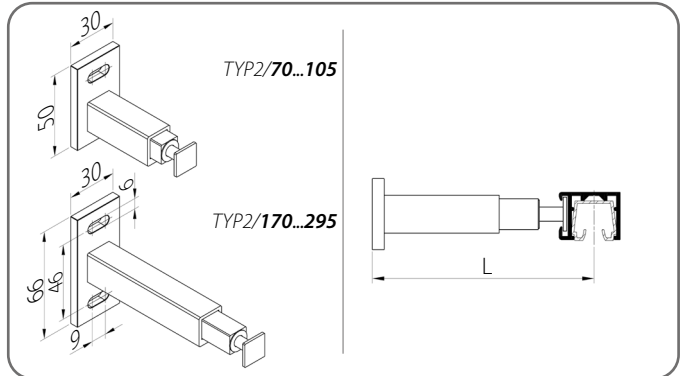
5.7.1. Guide channels - Group III

TYP 1



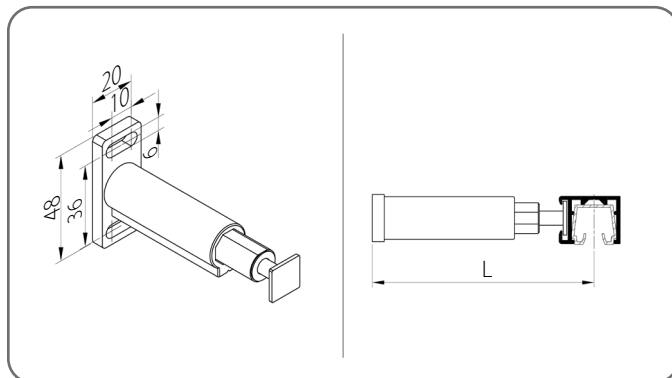
	Catalogue code	L [mm]
1.	TYP1/75/x	55 - 75
2.	TYP1/105/x	76 - 105
3.	TYP1/160/x	106 - 160

TYP 2



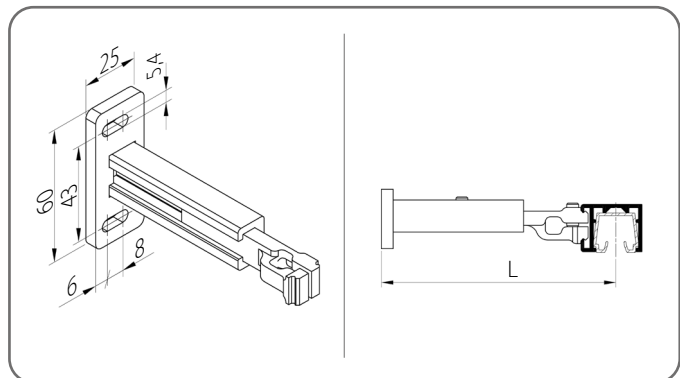
	Catalogue code	L [mm]
1.	TYP2/70/x	50 - 70
2.	TYP2/105/x	71 - 105
3.	TYP2/170/x	106 - 170
4.	TYP2/295/x	171 - 295

TYP 3



	Catalogue code	L [mm]
1.	TYP3/75/x	50 - 75
2.	TYP3/1/120/x	76 - 120

TYP 4



	Catalogue code	L [mm]
1.	TYP4/80/x	60 - 80
2.	TYP4/115/x	81 - 115
3.	TYP4/170/x	116 - 170

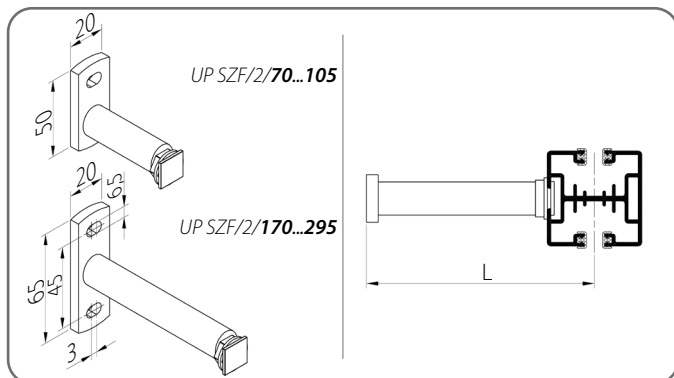
x	Colour	x	Colour	x	Colour	x	Colour
00	mill finish	21	black grey	34	quartz grey	80B	graphite grey
01	silver	22B	ultra white	37B	grey aluminium	82	alpine white
03B	grey	23B	anthracite grey	45	beige satin	IK	different colour
09	brown	29	light beige	73B	mouse grey		
16B	ivory	31B	light grey	74B	copper bronze		
20B	black	33	basalt grey	75B	metallic grey		

**CATALOGUE - TECHNICAL GUIDE FOR EXTERNAL
VENETIAN BLINDS (FACADE) SZF SkyFLOW SYSTEM**

C 80 / 5. UNDER PLASTER BLINDS BOX/BASIC

5.7.2. Guide channels - Group IV

UP SZF/2

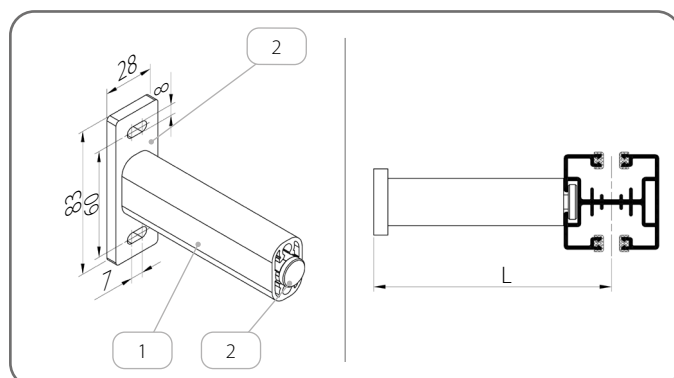


	Catalogue code	L [mm]
1.	UP SZF/2/70/x	58 - 78*
2.	UP SZF/2/105/x	79 - 113*
3.	UP SZF/2/170/x	114 - 178*
4.	UP SZF/2/295/x	179 - 303*

* Values changed due to the use of **PPD-P SZF/2** or **PPDO-P SZF/1** guide channels.

x	Colour	x	Colour	x	Colour	x	Colour
00	mill finish	21	black grey	34	quartz grey	80B	graphite grey
01	silver	22B	ultra white	37B	grey aluminium	82	alpine white
03B	grey	23B	anthracite grey	45	beige satin	IK	different colour
09	brown	29	light beige	73B	mouse grey		
16B	ivory	31B	light grey	74B	copper bronze		
20B	black	33	basalt grey	75B	metallic grey		

UP SZF/4/x




	Catalogue code	L [mm]
1.	UP SZF/4	75 - 200

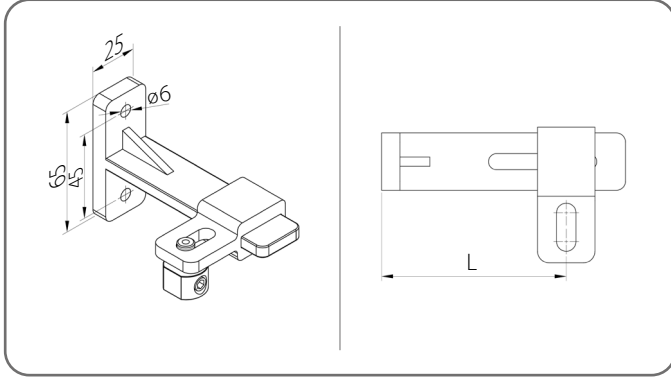
	Name of the component	Catalogue code
1.	Telescopic handle profile	PUT SZF/x
2.	Telescopic handle set	ZUP SZF/4/x

x	Colour	x	Colour	x	Colour	x	Colour
00	mill finish	21	black grey	34	quartz grey	80B	graphite grey
01	silver	22B	ultra white	37B	grey aluminium	82	alpine white
03B	grey	23B	anthracite grey	45	beige satin	IK	different colour
09	brown	29	light beige	73B	mouse grey		
16B	ivory	31B	light grey	74B	copper bronze		
20B	black	33	basalt grey	75B	metallic grey		

5.8. Wire handles

 All grips come with a tensioner.

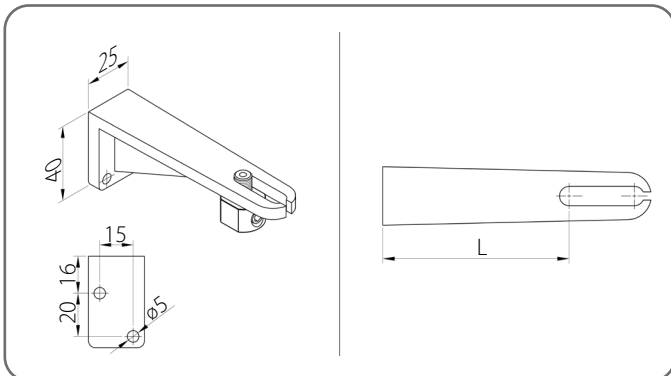
UDL/1



	Catalogue code	L [mm]
1.	UDL/1/90/x	50 - 90
2.	UDL/1/128/x	88 - 128
3.	UDL/1/165/x	125 - 165
4.	UDL/1/200/x	160 - 200

x	Colour	x	Colour	x	Colour	x	Colour
00	mill finish	21	black grey	34	quartz grey	80B	graphite grey
01	silver	22B	ultra white	37B	grey aluminium	82	alpine white
03B	grey	23B	anthracite grey	45	beige satin	IK	different colour
09	brown	29	light beige	73B	mouse grey		
16B	ivory	31B	light grey	74B	copper bronze		
20B	black	33	basalt grey	75B	metallic grey		

UDL/2



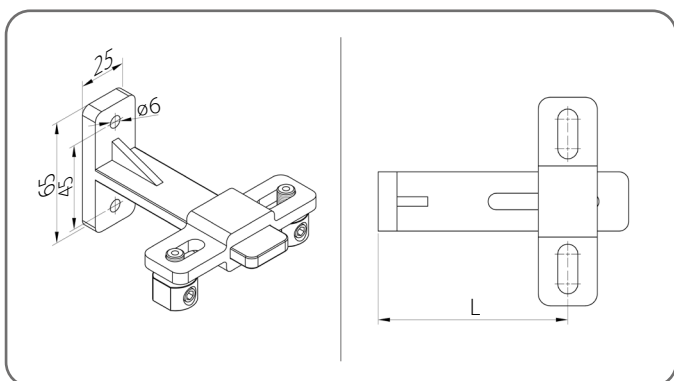
	Catalogue code	L [mm]
1.	UDL/2/50/x	29 - 50
2.	UDL/2/76/x	55 - 76
3.	UDL/2/104/x	83 - 104
4.	UDL/2/132/x	111 - 132
5.	UDL/2/160/x	139 - 160

x	Colour	x	Colour	x	Colour	x	Colour
00	mill finish	21	black grey	34	quartz grey	80B	graphite grey
01	silver	22B	ultra white	37B	grey aluminium	82	alpine white
03B	grey	23B	anthracite grey	45	beige satin	IK	different colour
09	brown	29	light beige	73B	mouse grey		
16B	ivory	31B	light grey	74B	copper bronze		
20B	black	33	basalt grey	75B	metallic grey		

**CATALOGUE - TECHNICAL GUIDE FOR EXTERNAL
VENETIAN BLINDS (FACADE) SZF SkyFLOW SYSTEM**

C 80 / 5. UNDER PLASTER BLINDS BOX/BASIC

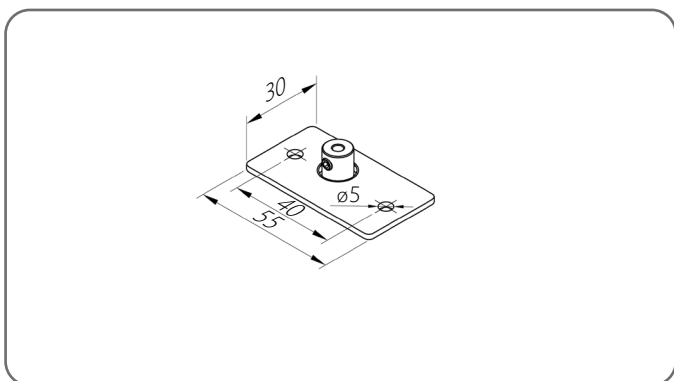
UDL/4



	Catalogue code	L [mm]
1.	UDL/4/90/x	50 - 90
2.	UDL/4/128/x	88 - 128
3.	UDL/4/165/x	125 - 165
4.	UDL/4/200/x	160 - 200

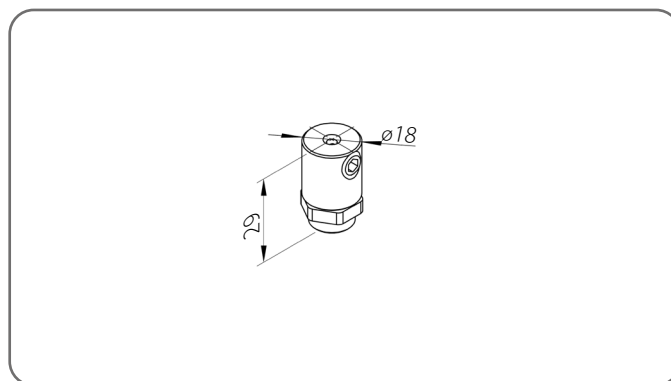
x	Colour	x	Colour	x	Colour	x	Colour
00	mill finish	21	black grey	34	quartz grey	80B	graphite grey
01	silver	22B	ultra white	37B	grey aluminium	82	alpine white
03B	grey	23B	anthracite grey	45	beige satin	IK	different colour
09	brown	29	light beige	73B	mouse grey		
16B	ivory	31B	light grey	74B	copper bronze		
20B	black	33	basalt grey	75B	metallic grey		

UDL/3/x




x	Colour
AND	anodised

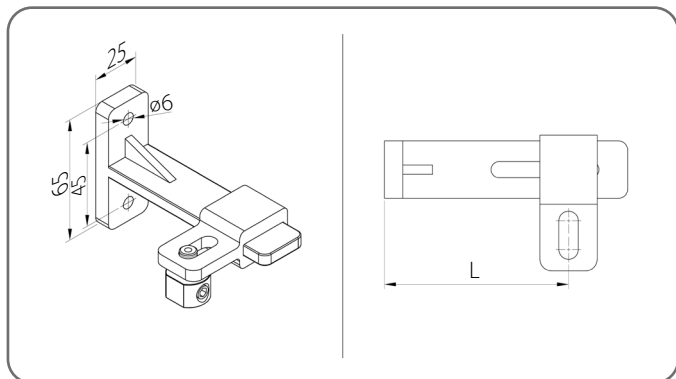
UDL/5



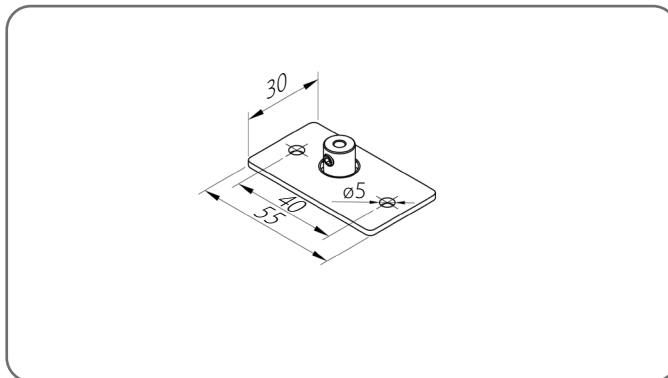
5.8.1. Guide channel wire reinforcement

 All grips come with a tensioner.

UDL/1

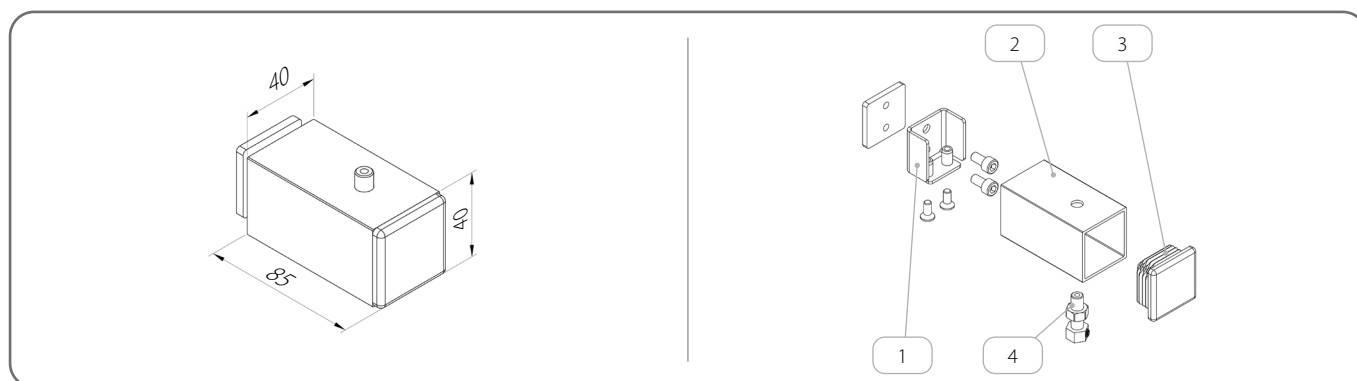


UDL/3/x



	Catalogue code	L [mm]
1.	UDL/1/90/x	50 - 90
2.	UDL/1/128/x	88 - 128
3.	UDL/1/165/x	125 - 165
4.	UDL/1/200/x	160 - 200


WZLP/40x40x2/x



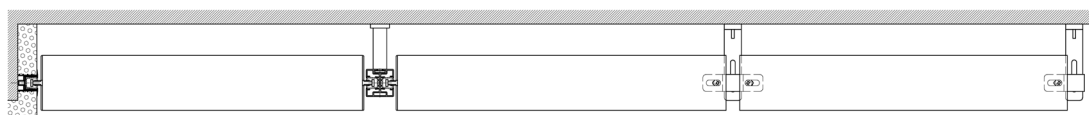
	Name of the component	Catalogue code	Colour
1.	Reinforcement fixing set	ZM/WZLP/40x40x2	
2.	Mounting profile	U/WZLP/40x40x2/x	<i>colour table x</i>
3.	Cap	Z/WZLP/40x40x2/x	02 - white 20B - black 23B - anthracite grey
4.	Cable tensioner	NLS	


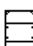



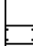



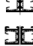

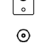










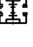
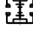



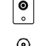



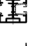








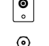









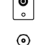




x	Colour	x	Colour	x	Colour	x	Colour
00	mill finish	21	black grey	34	quartz grey	80B	graphite grey
01	silver	22B	ultra white	37B	grey aluminium	82	alpine white
03B	grey	23B	anthracite grey	45	beige satin	IK	different colour
09	brown	29	light beige	73B	mouse grey		
16B	ivory	31B	light grey	74B	copper bronze		
20B	black	33	basalt grey	75B	metallic grey		

5.9. Blinds joining

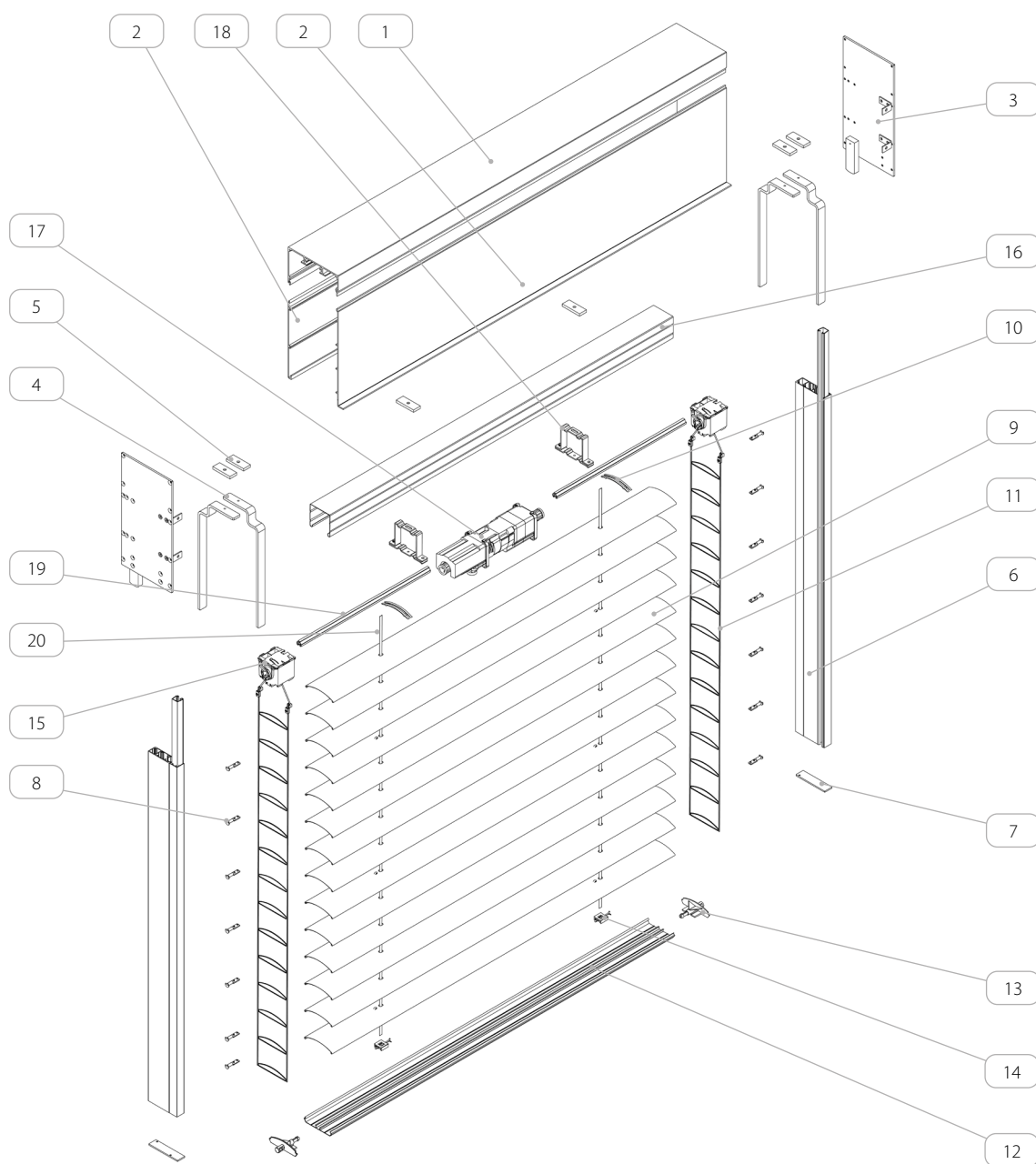
 A common drive for up to 3 blinds can be used.

The division of Venetian blinds



 PT02	 PT04	 UDL/4	 UDL/1
 PT03	 PT05	 UDL/1 + UDL/1	 UDL/2
 PT02_Z	 PPD SZF/WUF_S/1	 UDL/2 + UDL/2	 UDL/3
 PT03_Z	 PP SZF/WUF_S/2	 UDL/3 + UDL/3	 UDL/5
 PP SZF/WUF_S/2		 UDL/5 + UDL/5	
 PPDO SZF/1	 PPDO-P SZF/1	 UDL/4	 UDL/1
 PPD SZF/2	 PPD-P SZF/2	 UDL/1 + UDL/1	 UDL/2
		 UDL/2 + UDL/2	 UDL/3
		 UDL/3 + UDL/3	 UDL/5
		 UDL/5 + UDL/5	
 PPD SZF/WUF/2	 PPD-P SZF/WUF/2	 UDL/4	 UDL/1
 K/PU/P/T2 SZF		 UDL/1 + UDL/1	 UDL/2
 + PU/P/T2 SZF + WUF		 UDL/2 + UDL/2	 UDL/3
		 UDL/3 + UDL/3	 UDL/5
		 UDL/5 + UDL/5	
 K/PU/P/T1 SZF		 UDL/4	 UDL/1
 + PU/P/T1 SZF		 UDL/1 + UDL/1	 UDL/2
		 UDL/2 + UDL/2	 UDL/3
		 UDL/3 + UDL/3	 UDL/5
		 UDL/5 + UDL/5	

6. UNDER PLASTER BLINDS BOX/EDGE



Name of the component	
1.	Box
2.	Extension of the under plaster box
3.	End cap
4.	Top handle
5.	Rail handle mounting bracket
6.	Guide channel
7.	Guide channel side lock
8.	Pin to C 80
9.	Profile C 80
10.	Slat clip
11.	Ladder braid C 80
12.	Bottom rail
13.	Blind for end slat
14.	Lift tape and end slat - connector
15.	Mechanism - 8 mm belt
16.	Steel rail - galvanised
17.	Drive
18.	Guide rail bracket
19.	Shaft 14 mm
20.	Strap 8 mm

CATALOGUE - TECHNICAL GUIDE FOR EXTERNAL VENETIAN BLINDS (FACADE) SZF SkyFLOW SYSTEM

C 80 / 6. UNDER PLASTER BLINDS BOX/EDGE

6.1. General information



Where:

A - HEIGHT OF THE PACKAGE [mm]

B - BLINDS HEIGHT [mm]

C - COVER HEIGHT [mm]

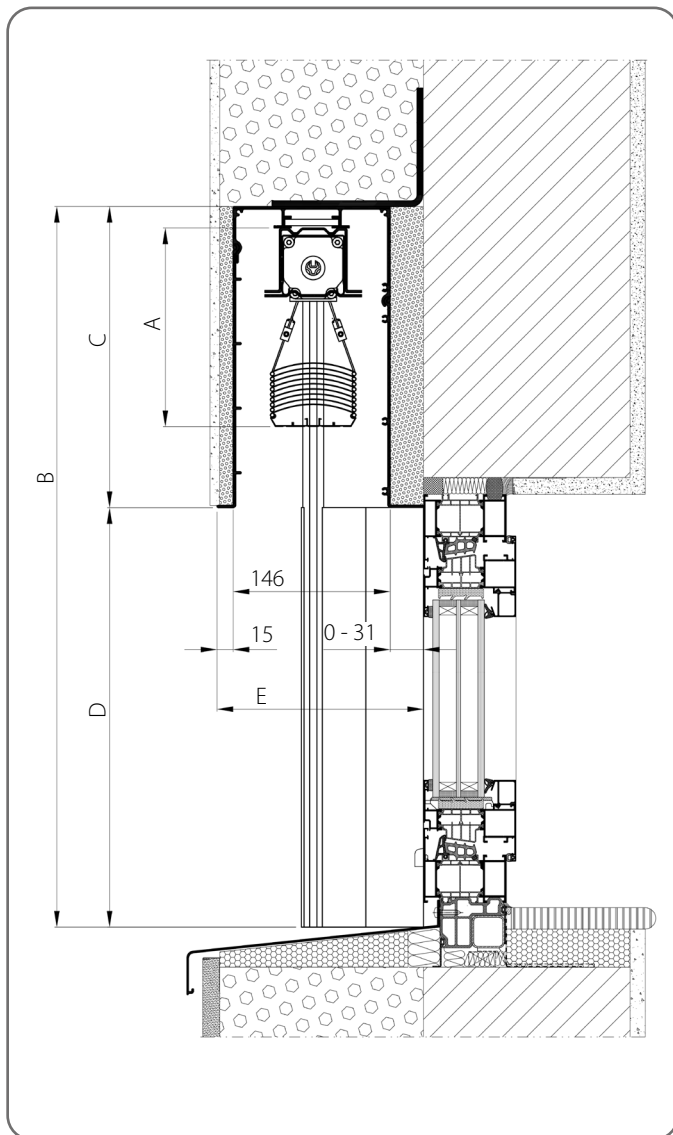
D - CLEAR HEIGHT [mm]

E - INSTALLATION DEPTH [mm]

M - WIDTH OF THE PACKAGE / SLAT [mm]

N - VENETIAN BLIND WIDTH [mm]

The measurement and installation of the venetian blind should be performed by a qualified installer.



	A [mm]	B [mm]	Venetian blind with guide and/or cable guide		Venetian blind with cable reinforcement	
			C [mm]	D [mm]	C [mm]	D [mm]
1.	190	600 - 820	220	380 - 800	220	380 - 800
2.	200	821 - 1020				
3.	210	1021 - 1220				
4.	230	1221 - 1420	280	741 - 1740	280	741 - 1740
5.	240	1421 - 1620				
6.	250	1621 - 1820				
7.	260	1821 - 2020				
8.	280	2021 - 2220				
9.	290	2221 - 2420				
10.	300	2421 - 2620	350	1671 - 2670	350	1671 - 2670
11.	310	2621 - 2820				
12.	320	2821 - 3020				
13.	340	3021 - 3220	400	2621 - 3620	400	2621 - 3620
14.	350	3221 - 3420				
15.	360	3421 - 3620				
16.	370	3621 - 3820				
17.	380	3821 - 4020				
18.	400	4021 - 5000				

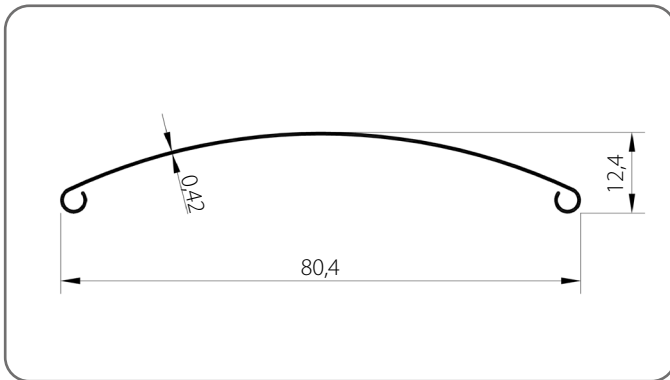


When dimensioning the Venetian blinds, the planned width of the insulation layer overlapping the window should be taken into account.

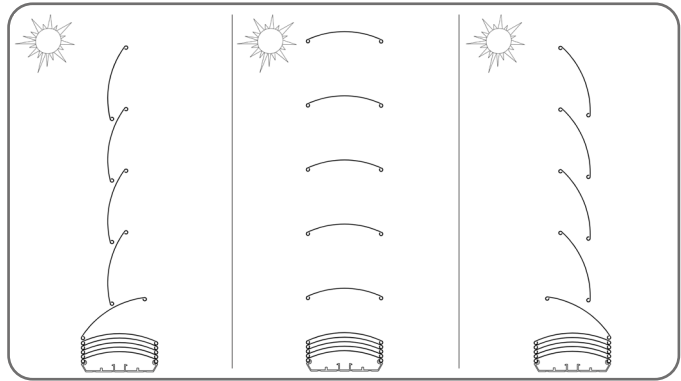
**CATALOGUE - TECHNICAL GUIDE FOR EXTERNAL
VENETIAN BLINDS (FACADE) SZF SKYFLOW SYSTEM**

C 80 / 6. UNDER PLASTER BLINDS BOX/EDGE

Slat C 80/x



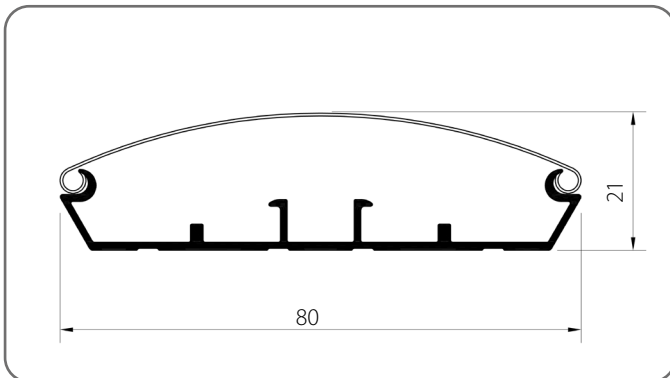
Slats rotation range - 180°*



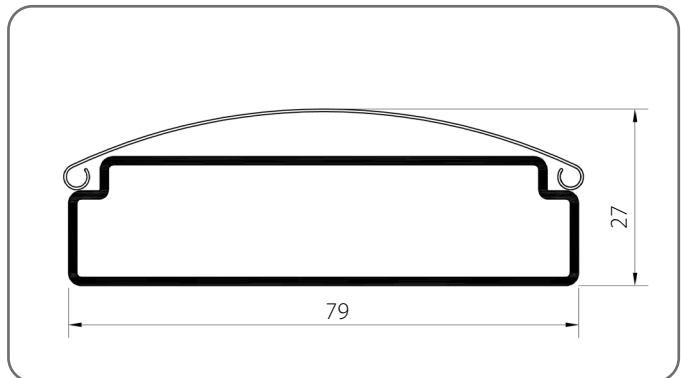
* The slat rotation angle of 180° is an approximate value.

x	Colour	x	Colour	x	Colour	x	Colour
01	silver	21	black grey	33	basalt grey	74B	copper bronze
03B	grey	22B	ultra white	34	quartz grey	75B	metallic grey
09	brown	23B	anthracite grey	37B	grey aluminium	80B	graphite grey
16B	ivory	29	light beige	45	beige satin	82	alpine white
20B	black	31B	light grey	73B	mouse grey		

Open end slat BOA/C80/x

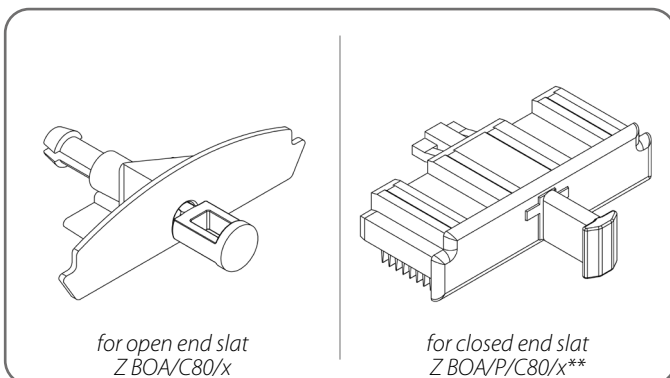


Full end slat BOA/P/C80/x**



x	Colour	x	Colour	x	Colour	x	Colour
00	mill finish	21	black grey	34	quartz grey	80B	graphite grey
01	silver	22B	ultra white	37B	grey aluminium	82	alpine white
03B	grey	23B	anthracite grey	45	beige satin	IK	different colour
09	brown	29	light beige	73B	mouse grey		
16B	ivory	31B	light grey	74B	copper bronze		
20B	black	33	basalt grey	75B	metallic grey		

End slat blind



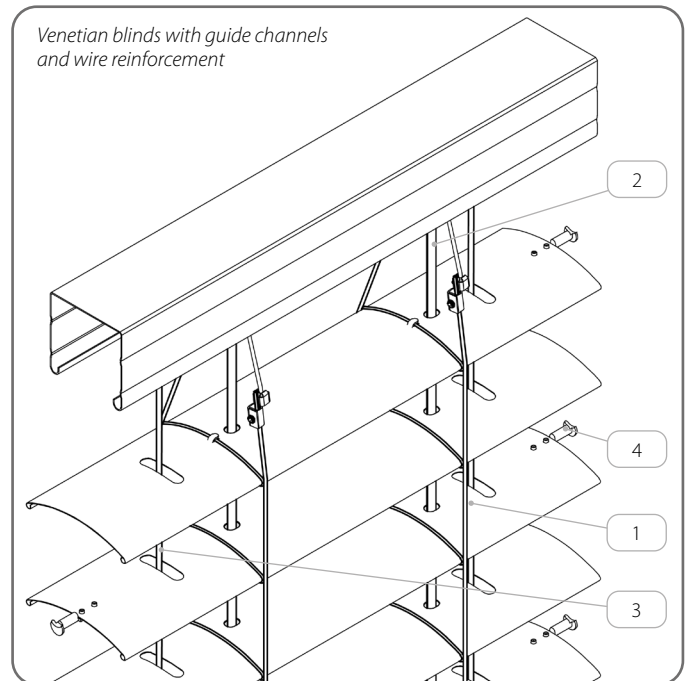
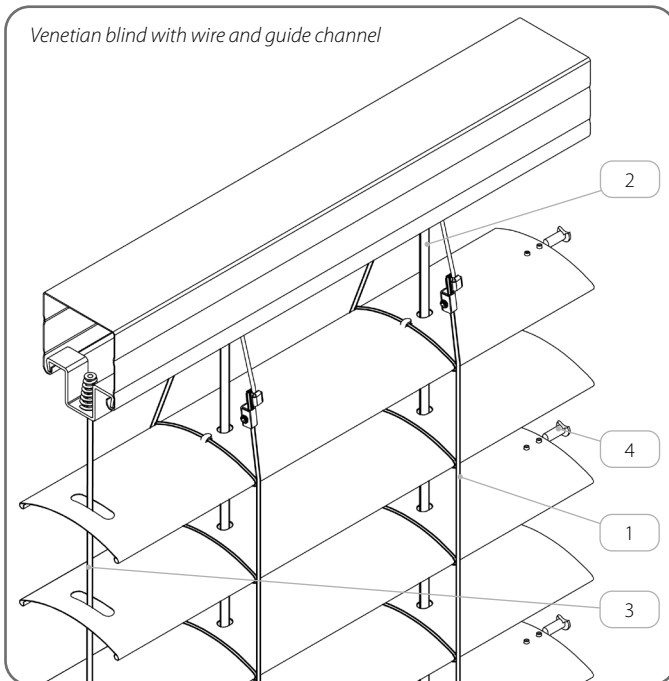
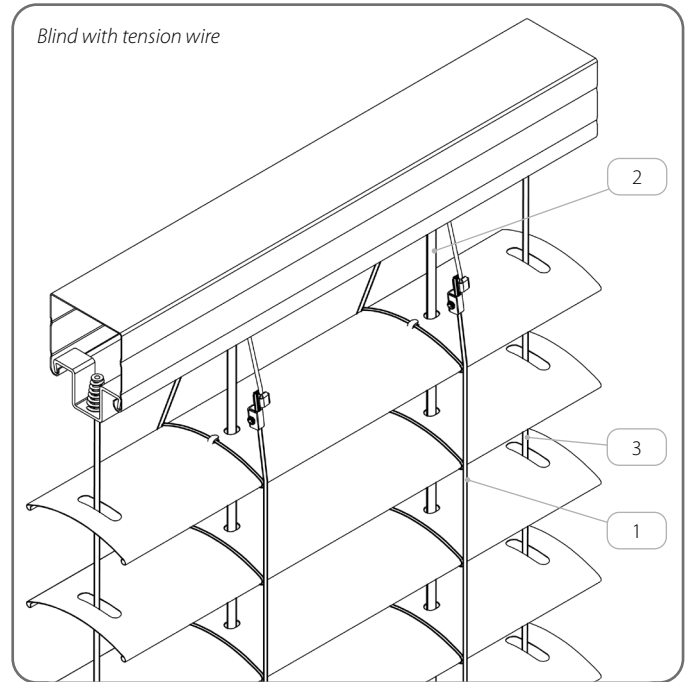
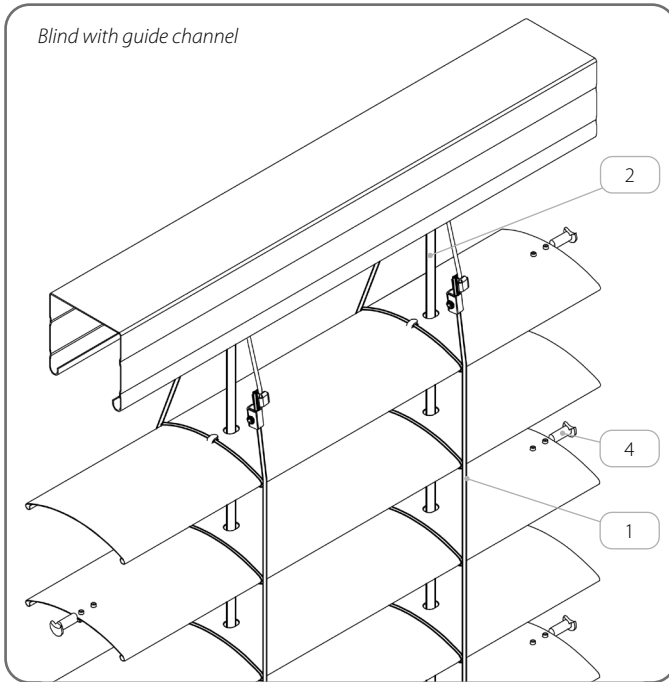
x	Colour
03	grey
20	black

** Cannot be used with cable guidance.

**CATALOGUE - TECHNICAL GUIDE FOR EXTERNAL
VENETIAN BLINDS (FACADE) SZF SkyFLOW SYSTEM**

C 80 / 6. UNDER PLASTER BLINDS BOX/EDGE

Additional accessories

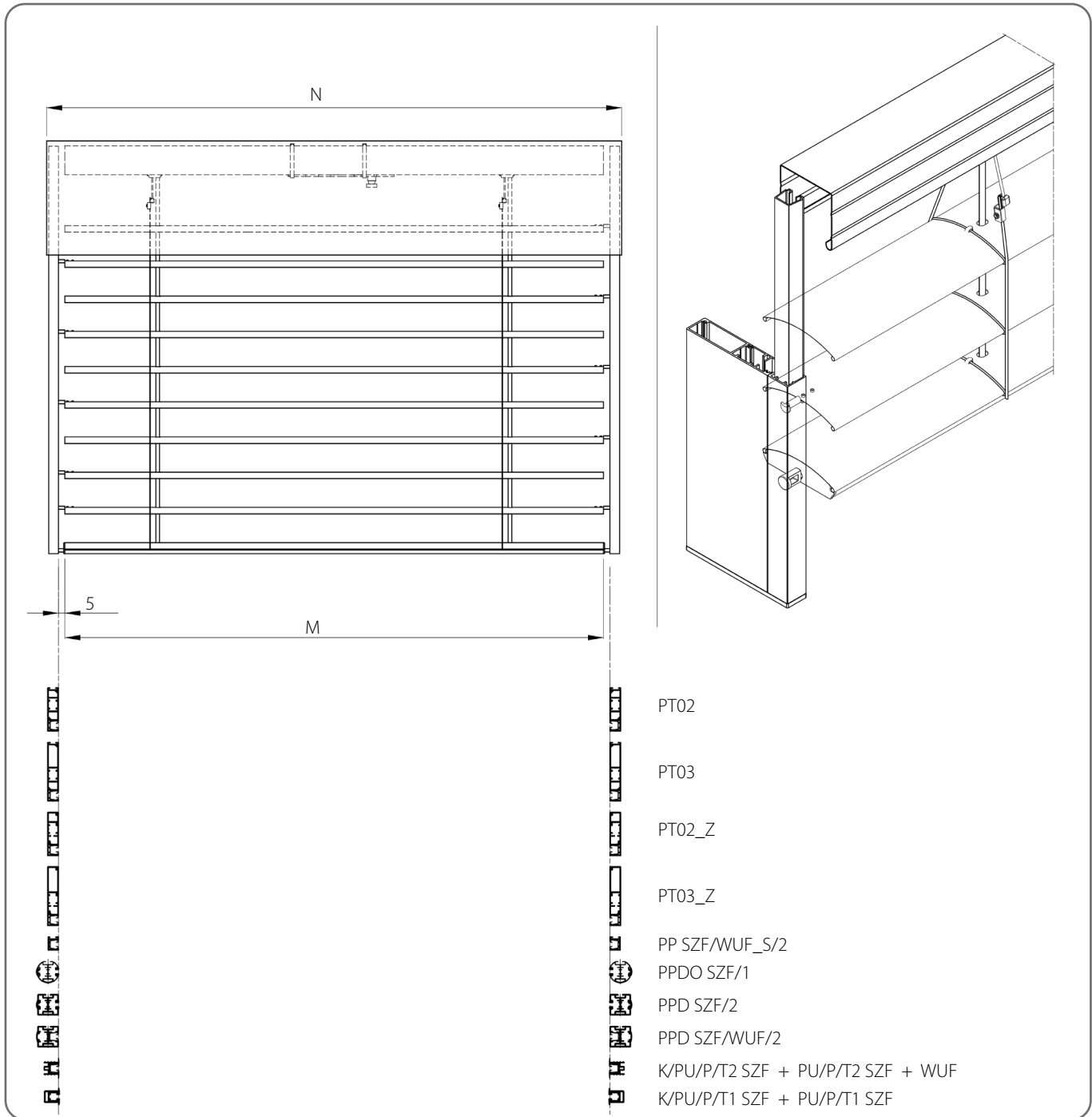


	Name of the component	Catalogue code
1.	Ladder braid C 80	D/C80/x
2.	Strap 8 mm	P SZF/8/x
3.	Steel wire Ø 3, PVC coated	LS SZF/3/x
4.	Pin to C 80 - steel	P/S/C80

x	Colour
03	grey
20	black

! Pins are mounted on every other slat for Venetian blinds with guide channels.

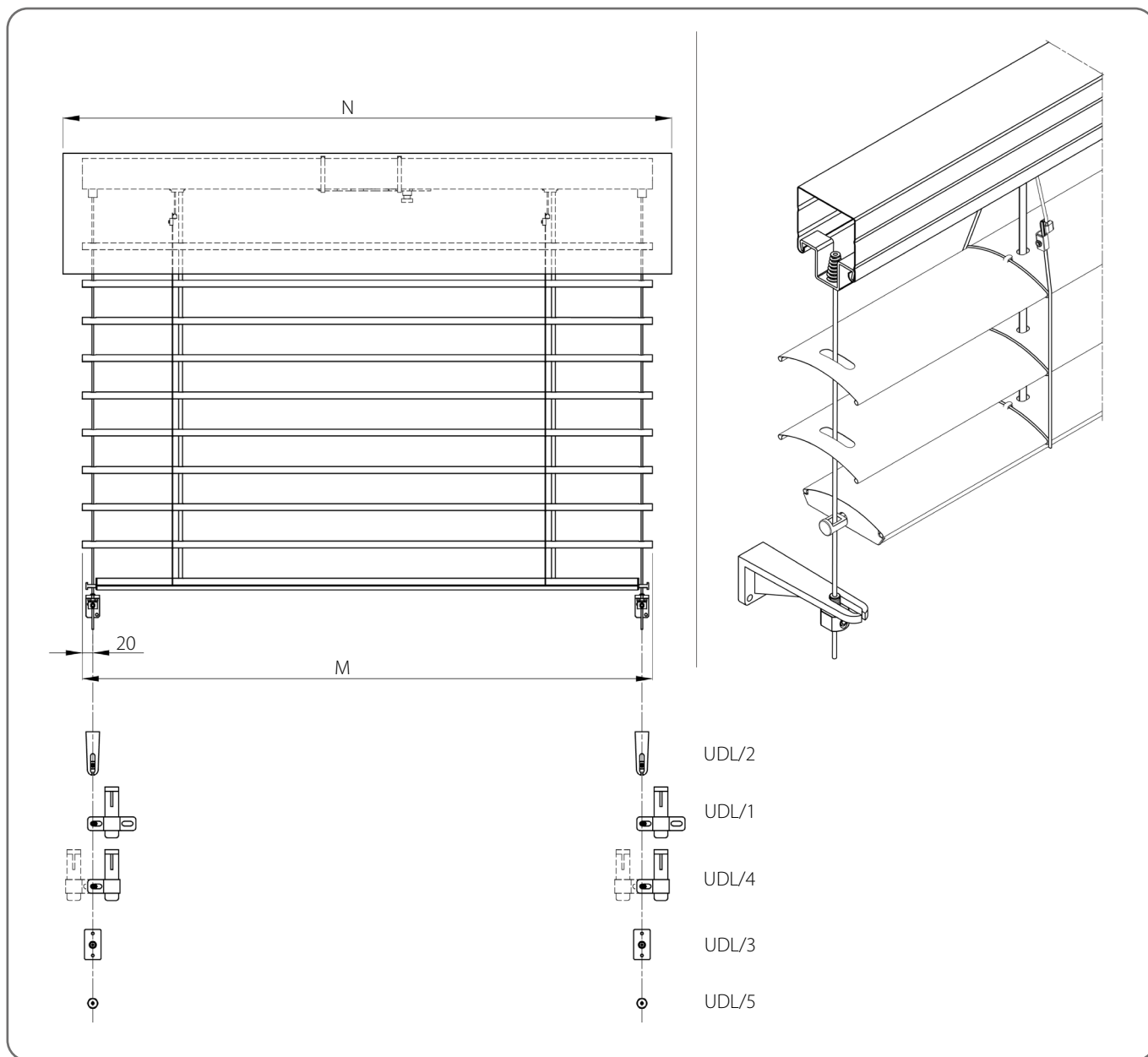
6.1.1. Blind with guide channel



Technical specifications									
Minimum		Maximum		Maximum surface [m ²]	Corner blinds	Electric drive	Motor with emergency opening	Manual drive	Installation
Width [mm]	Height [mm]	Width [mm]	Height [mm]						
600	600	4500	5000	25	NO	YES	YES	YES	External

⚠ When dimensioning the Venetian blinds, the planned width of the insulation layer overlapping the window should be taken into account.

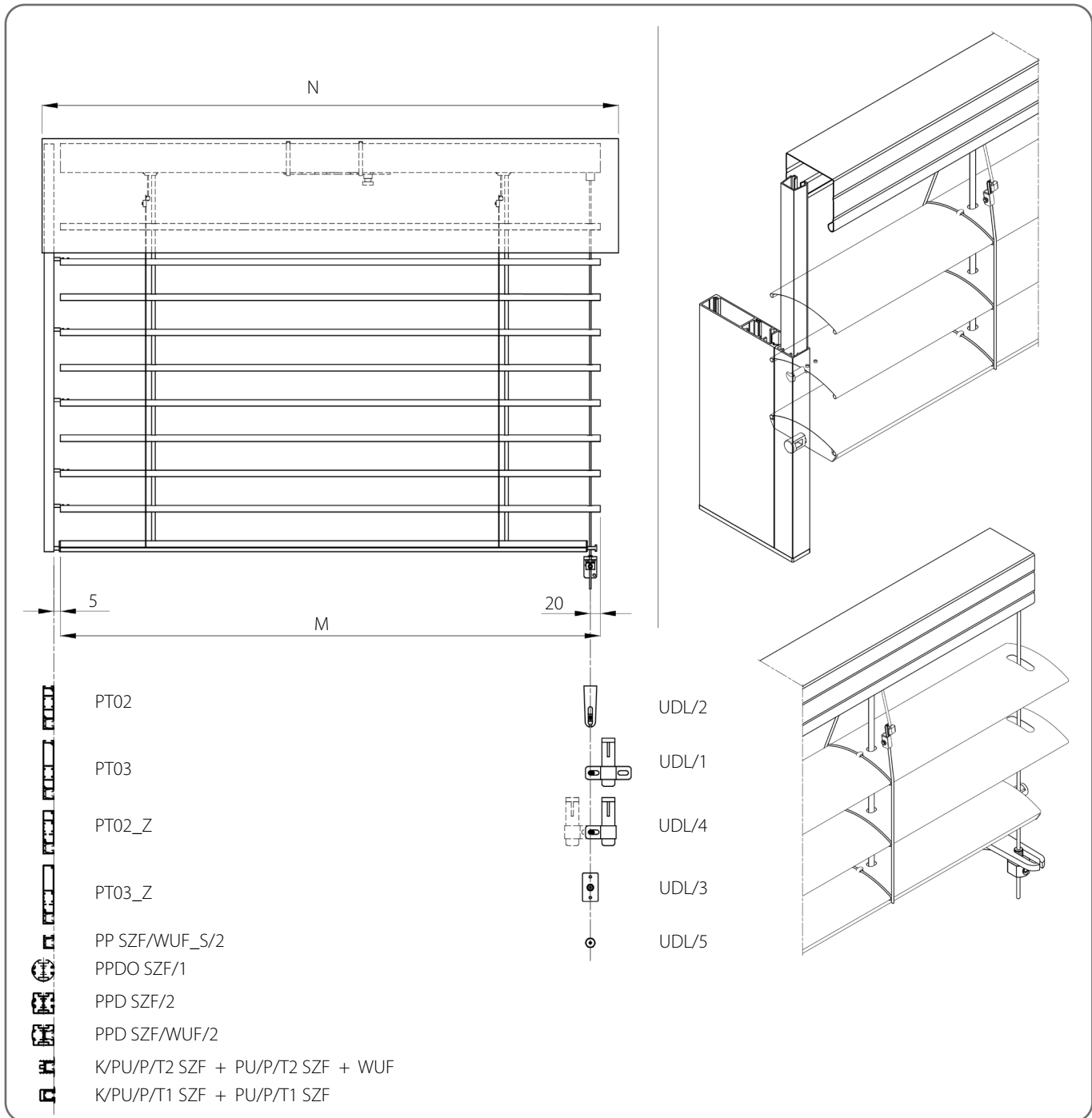
6.1.2. Blind with tension wire



Technical specifications								
Minimum		Maximum	Maximum surface [m ²]	Corner blinds	Electric drive	Motor with emergency opening	Manual drive	Installation
Width [mm]	Height [mm]	Width x Height [mm]						
600	600	3000 x 4000 4000 x 2500	12	NO	YES	YES	YES	External


! When dimensioning the Venetian blinds, the planned width of the insulation layer overlapping the window should be taken into account.

6.1.3. Venetian blind with wire and guide channel

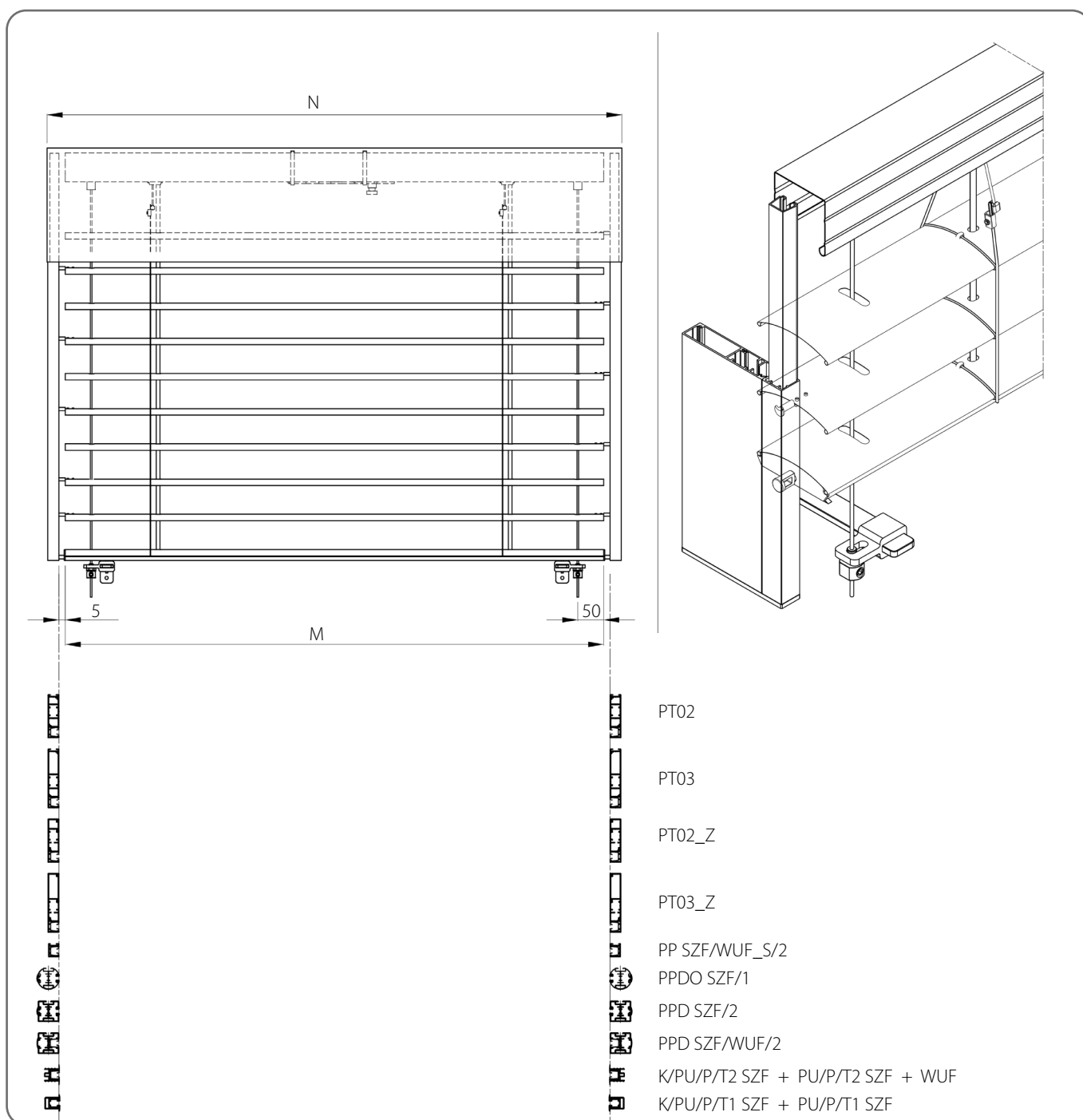


Technical specifications

Minimum		Maximum	Maximum surface [m ²]	Corner blinds	Electric drive	Motor with emergency opening	Manual drive	Installation
Width [mm]	Height [mm]	Width x Height [mm]						
600	600	3000 x 4000 4000 x 2500	12	NO	YES	YES	YES	External

 When dimensioning the Venetian blinds, the planned width of the insulation layer overlapping the window should be taken into account.

6.1.4. Venetian blinds with guide channels and wire reinforcement



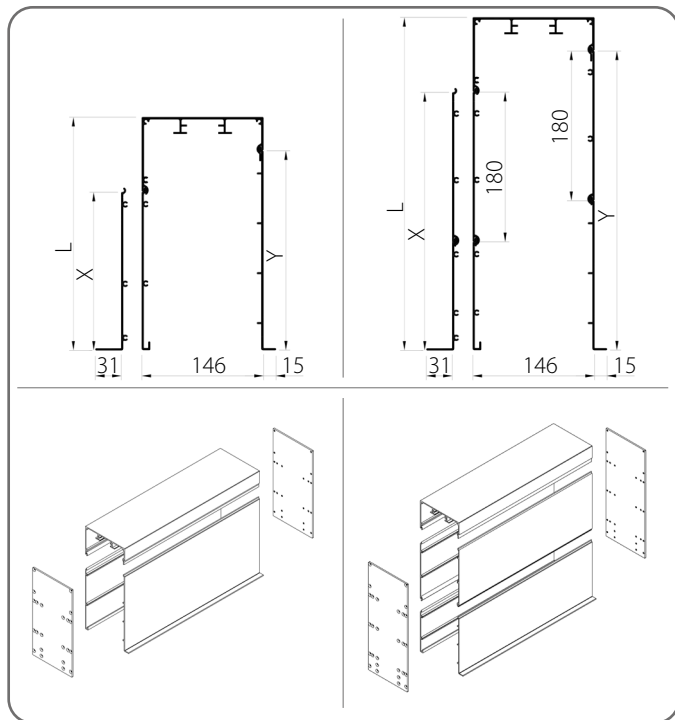
Technical specifications									
Minimum		Maximum		Maximum surface [m ²]	Corner blinds	Electric drive	Motor with emergency opening	Manual drive	Installation
Width [mm]	Height [mm]	Width [mm]	Height [mm]						
600	600	5000	5000	25	NO	YES	YES	YES	External

When dimensioning the Venetian blinds, the planned width of the insulation layer overlapping the window should be taken into account.

6.2. Box

 It is possible to configure the blinds without the box.

Under plaster box

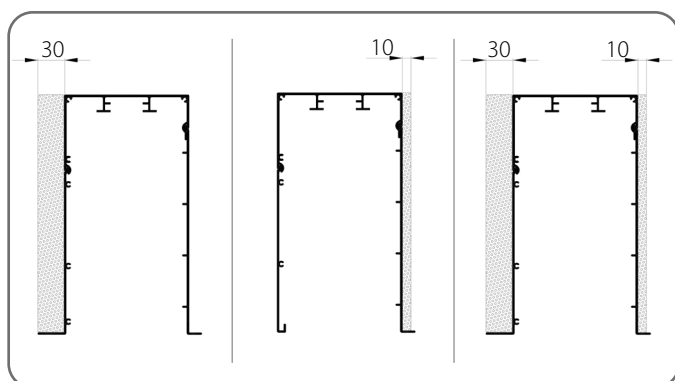


	L [mm]	X [mm]	Y [mm]
1.	220	130	180
2.	280	190	240
3.	350	260	310
4.	400	310	360
5.	460	370	420

x	Colour	x	Colour
00	mill finish	33	basalt grey
01	silver	34	quartz grey
03B	grey	37B	grey aluminium
09	brown	45	beige satin
16B	ivory	73B	mouse grey
20B	black	74B	copper bronze
21	black grey	75B	metallic grey
22B	ultra white	80B	graphite grey
23B	anthracite grey	82	alpine white
29	light beige	IK	different colour
31B	light grey		

 Maximum width for a single element - 6 m.

6.2.1. Plaster foundation



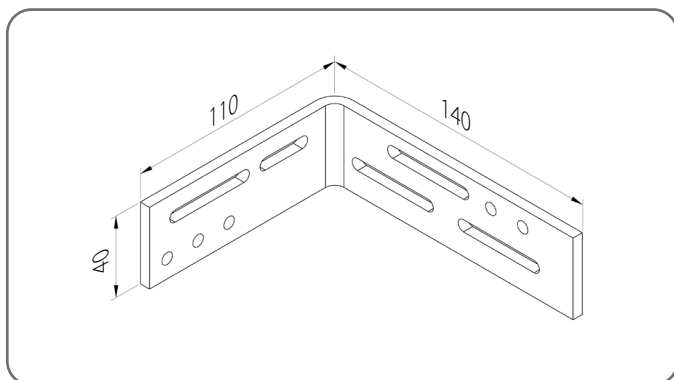
	Catalogue code	Name of the component
1.	NT/XPS/10	Plaster foundation NT/XPS/10
2.	NT/XPS/30	Plaster foundation NT/XPS/30

**CATALOGUE - TECHNICAL GUIDE FOR EXTERNAL
VENETIAN BLINDS (FACADE) SZF SkyFLOW SYSTEM**

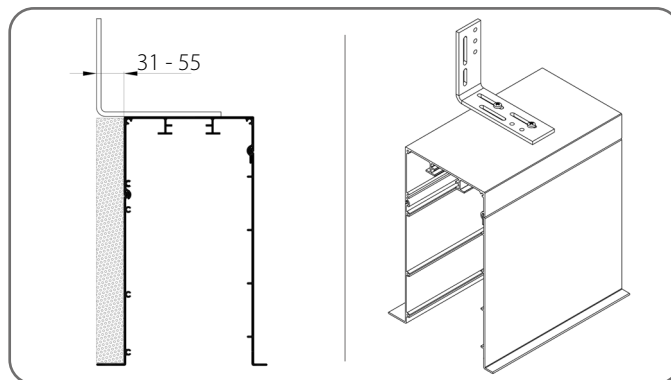
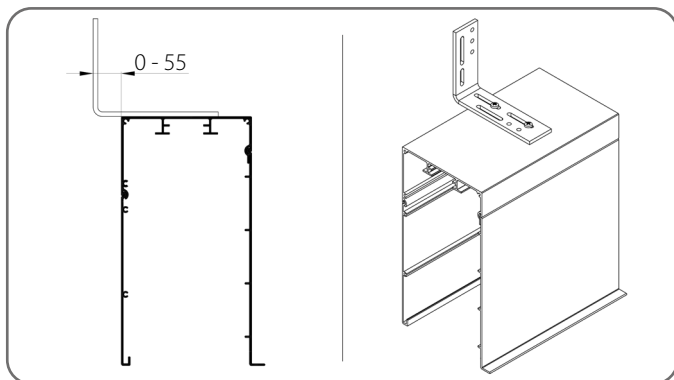
C 80 / 6. UNDER PLASTER BLINDS BOX/EDGE

6.2.2. Mounting angle

KMK/140x110

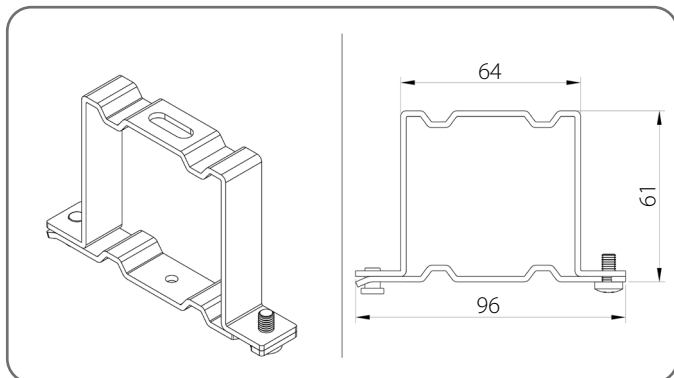


	Width of box [mm]	Number of angles
1.	600 - 1600	3
2.	1601 - 2400	4
3.	2401 - 3200	5
4.	3201 - 4000	6
5.	4001 - 4500	7
6.	4501 - 5000	8
7.	5001 - 5500	9
8.	5501 - 6000	10

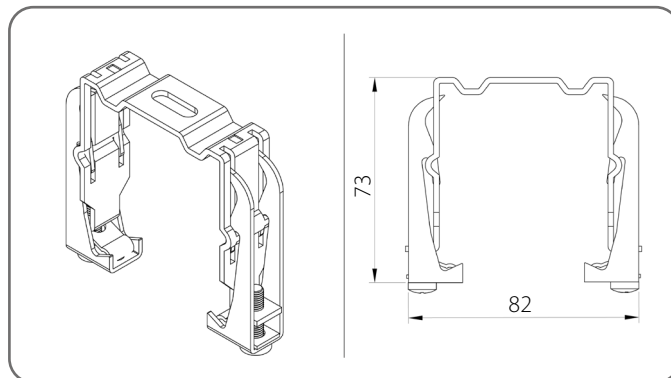


6.3. Top guide rail bracket

Standard guide rail bracket - US/A



Springy guide rail bracket - US/B



Number of top rail handles

Venetian blind width [mm]	600 - 1600	1601 - 2400	2401 - 3200	3201 - 4000	4001 - 4500	4501 - 5000
Quantity	2	3	4	5	6	7

CATALOGUE - TECHNICAL GUIDE FOR EXTERNAL VENETIAN BLINDS (FACADE) SZF SKYFLOW SYSTEM

C 80 / 6. UNDER PLASTER BLINDS BOX/EDGE

6.4. Other information

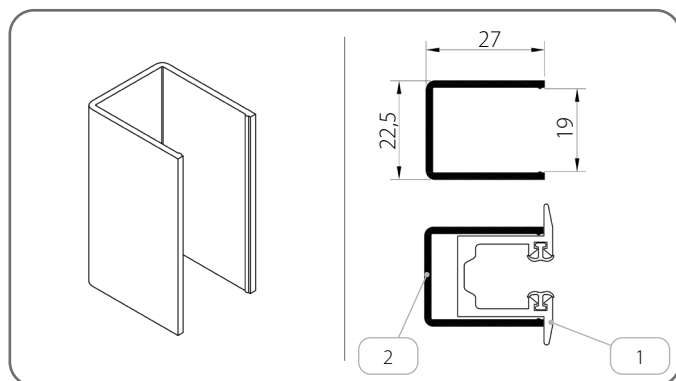
Blinds height [mm]	Slat width [mm]						
600 - 2500	1400	2400	3400	4400	5000	-	-
2501 - 3000	1300	2200	3100	4000	4900	5000	-
3001 - 4500	1200	2000	2800	3600	4400	5000	-
4501 - 5000	1100	1800	2500	3200	3900	4600	5000
Number of strap mechanisms	2	3	4	5	6	7	8

Guide channel handle				
Blinds height [mm]	600 - 1600	1601 - 2600	2601 - 3600	3601 - 4400
Number of handles [for 1 pcs guide channel]	2	3	4	5

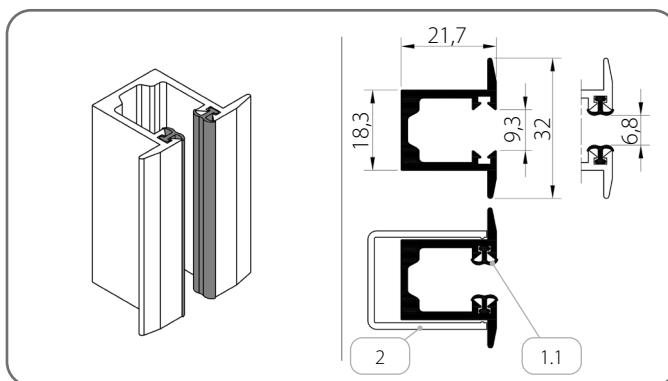
6.5. Guide channels

6.5.1. Guide channels - I Group

K/PU/P/T1 SZF



PU/P/T1 SZF/x

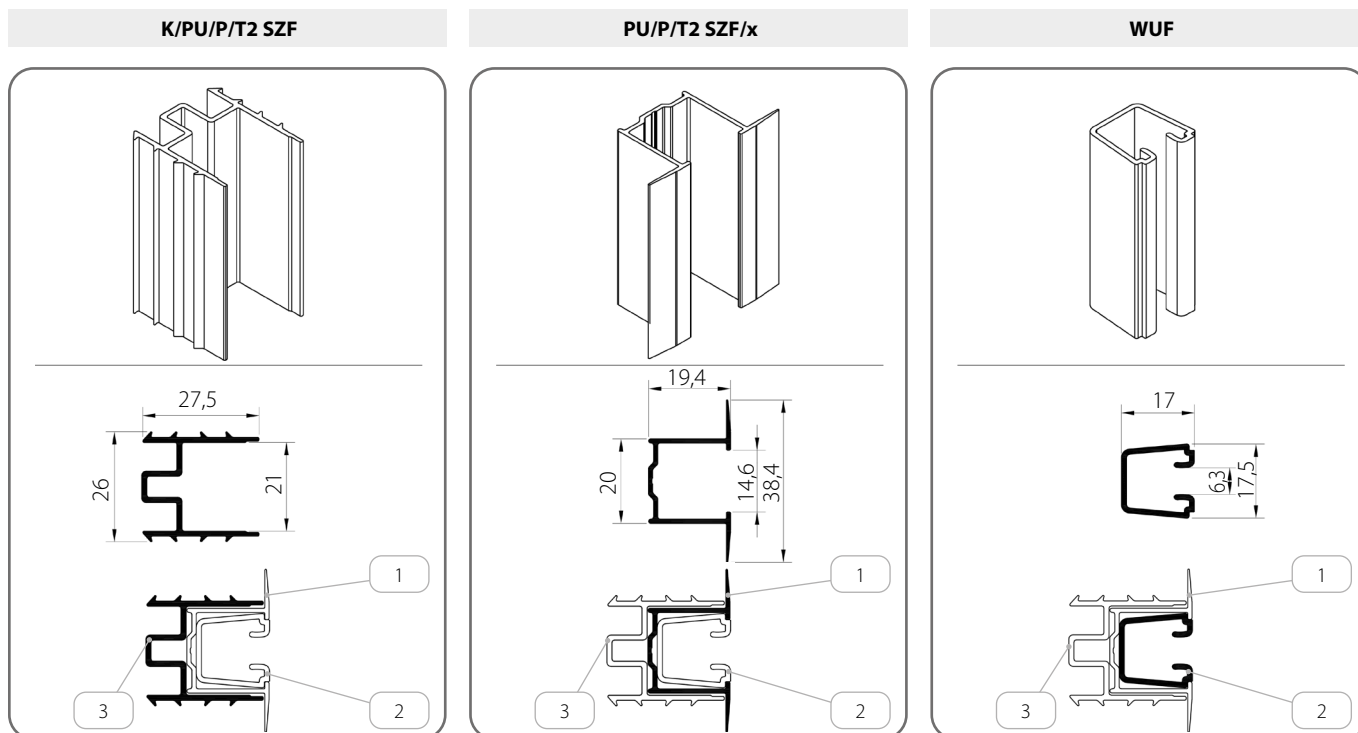


	Name of the component	Colour	Catalogue code
1.	Under plaster simple guide channel	x	PU/P/T1 SZF/x
1.1.	Damping seal	20 - black	-
2.	Under plaster simple guide channel pocket	-	K/PU/P/T1 SZF

x	Colour	x	Colour	x	Colour	x	Colour
00	mill finish	21	black grey	34	quartz grey	80B	graphite grey
01	silver	22B	ultra white	37B	grey aluminium	82	alpine white
03B	grey	23B	anthracite grey	45	beige satin	IK	different colour
09	brown	29	light beige	73B	mouse grey		
16B	ivory	31B	light grey	74B	copper bronze		
20B	black	33	basalt grey	75B	metallic grey		

**CATALOGUE - TECHNICAL GUIDE FOR EXTERNAL
VENETIAN BLINDS (FACADE) SZF SkyFLOW SYSTEM**

C 80 / 6. UNDER PLASTER BLINDS BOX/EDGE

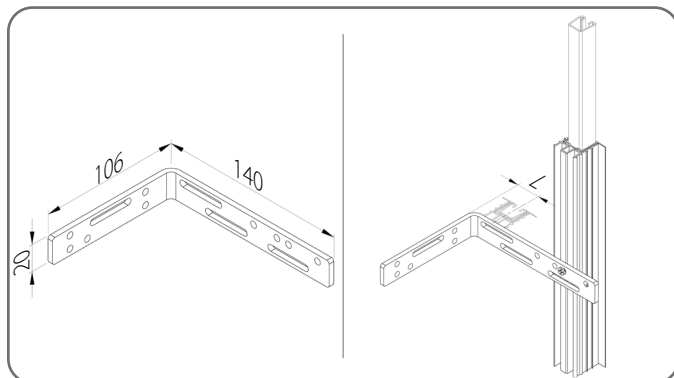


	Name of the component	Colour	Catalogue code
1.	Under plaster simple guide channel	x	PU/P/T2 SZF/x
2.	Guide channels insert	20 - black	WUF
3.	Under plaster simple guide channel pocket	-	K/PU/P/T2 SZF

x	Colour	x	Colour	x	Colour	x	Colour
00	mill finish	21	black grey	34	quartz grey	80B	graphite grey
01	silver	22B	ultra white	37B	grey aluminium	82	alpine white
03B	grey	23B	anthracite grey	45	beige satin	IK	different colour
09	brown	29	light beige	73B	mouse grey		
16B	ivory	31B	light grey	74B	copper bronze		
20B	black	33	basalt grey	75B	metallic grey		

6.5.1.1. Mounting angle

KMK/140x100



	Catalogue code	L [mm]
1.	KMK/140x100	15 - 130

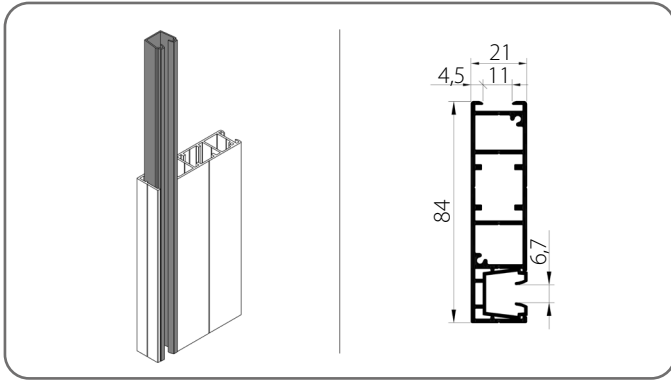
	Blinds height [mm]	Number of angles [for 1 pcs guide channel]
1.	600 - 1600	2
2.	1601 - 2600	3
3.	2601 - 3600	4
4.	3601 - 4400	5

**CATALOGUE - TECHNICAL GUIDE FOR EXTERNAL
VENETIAN BLINDS (FACADE) SZF SkyFlow SYSTEM**

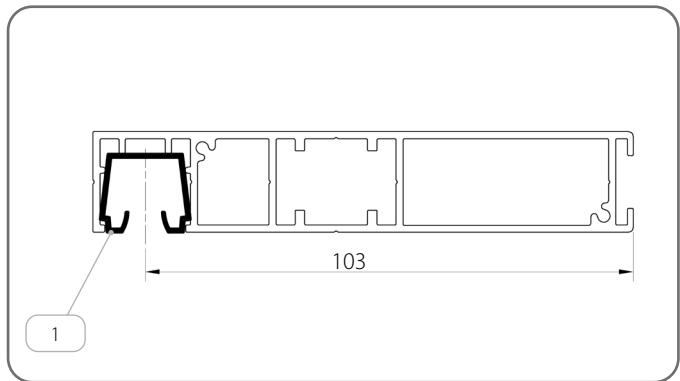
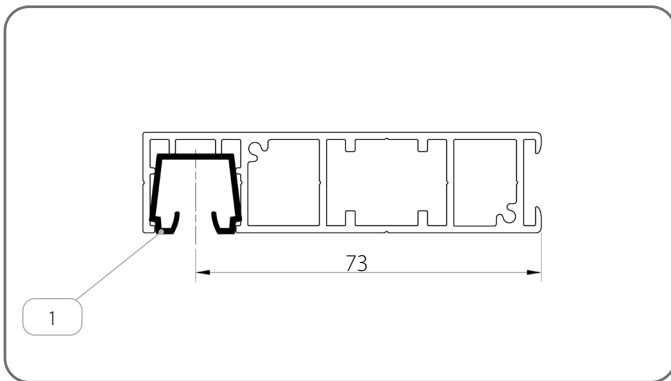
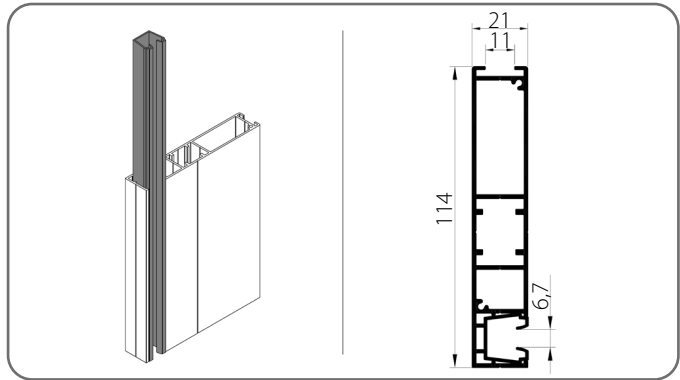
C 80 / 6. UNDER PLASTER BLINDS BOX/EDGE

6.5.2. Guide channels - Group II

PT02/x



PT03/x

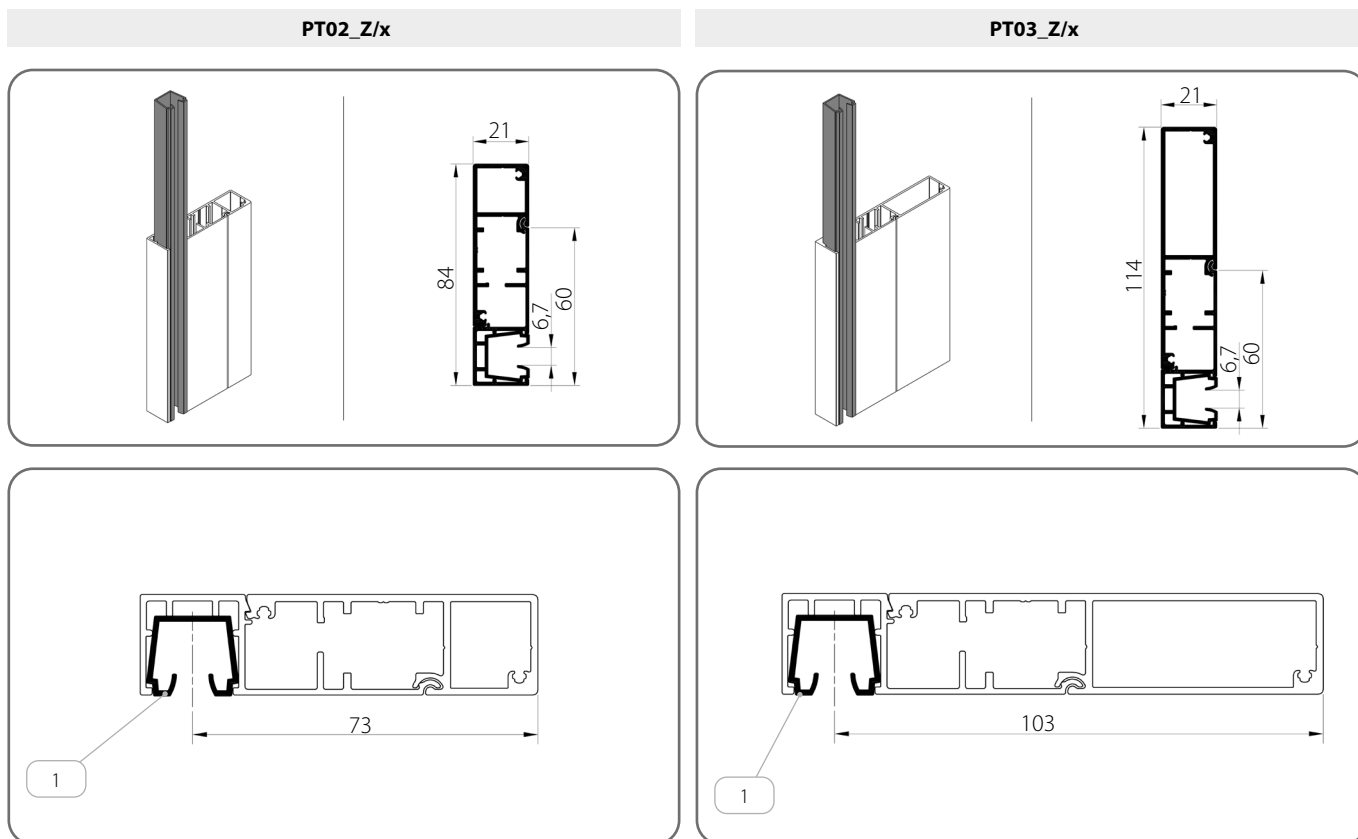


Name of the component		Colour
1.	Guide channels insert	03 - grey 20 - black

x	Colour	x	Colour	x	Colour	x	Colour
00	mill finish	21	black grey	34	quartz grey	80B	graphite grey
01	silver	22B	ultra white	37B	grey aluminium	82	alpine white
03B	grey	23B	anthracite grey	45	beige satin	IK	different colour
09	brown	29	light beige	73B	mouse grey		
16B	ivory	31B	light grey	74B	copper bronze		
20B	black	33	basalt grey	75B	metallic grey		

**CATALOGUE - TECHNICAL GUIDE FOR EXTERNAL
VENETIAN BLINDS (FACADE) SZF SkyFLOW SYSTEM**

C 80 / 6. UNDER PLASTER BLINDS BOX/EDGE

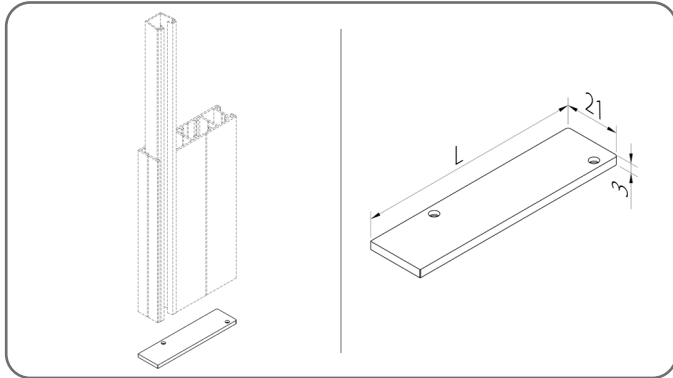


Name of the component		Colour
1.	Guide channels insert	03 - grey 20 - black

x	Colour	x	Colour	x	Colour	x	Colour
00	mill finish	21	black grey	34	quartz grey	80B	graphite grey
01	silver	22B	ultra white	37B	grey aluminium	82	alpine white
03B	grey	23B	anthracite grey	45	beige satin	IK	different colour
09	brown	29	light beige	73B	mouse grey		
16B	ivory	31B	light grey	74B	copper bronze		
20B	black	33	basalt grey	75B	metallic grey		

6.5.2.1. Guide channel side lock

For guide channels type PT

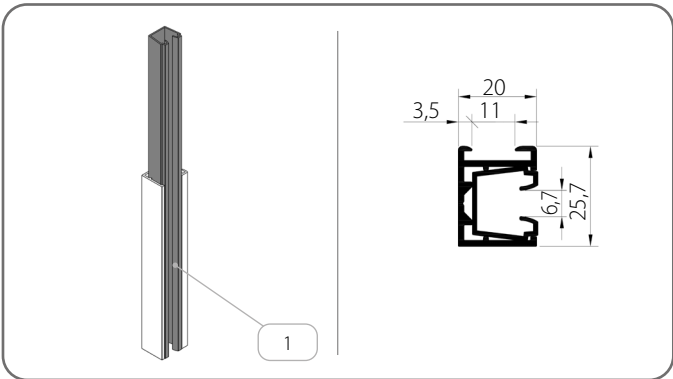


	Catalogue code	L [mm]
1.	ZPT02/x	83,5
2.	ZPT03/x	113
3.	ZPT02_Z/x	83,5
4.	ZPT03_Z/x	113,5

x	Colour	x	Colour	x	Colour	x	Colour
00	mill finish	21	black grey	34	quartz grey	80B	graphite grey
01	silver	22B	ultra white	37B	grey aluminium	82	alpine white
03B	grey	23B	anthracite grey	45	beige satin	IK	different colour
09	brown	29	light beige	73B	mouse grey		
16B	ivory	31B	light grey	74B	copper bronze		
20B	black	33	basalt grey	75B	metallic grey		

6.5.3. Guide channels - Group III

PP SZF/WUF_S/2/x

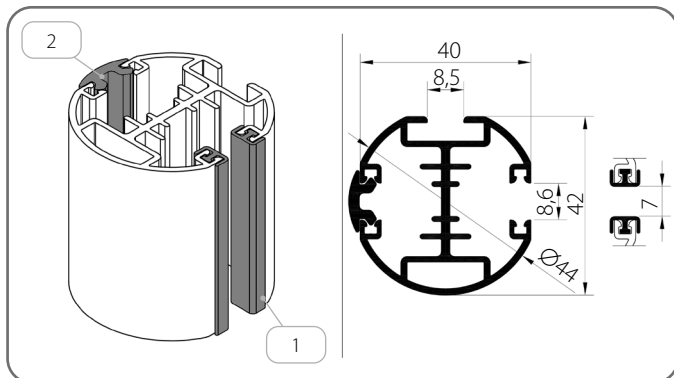


	Name of the component	Colour
1.	Guide channels insert	03 - grey 20 - black

x	Colour	x	Colour	x	Colour	x	Colour
00	mill finish	21	black grey	34	quartz grey	80B	graphite grey
01	silver	22B	ultra white	37B	grey aluminium	82	alpine white
03B	grey	23B	anthracite grey	45	beige satin	IK	different colour
09	brown	29	light beige	73B	mouse grey		
16B	ivory	31B	light grey	74B	copper bronze		
20B	black	33	basalt grey	75B	metallic grey		

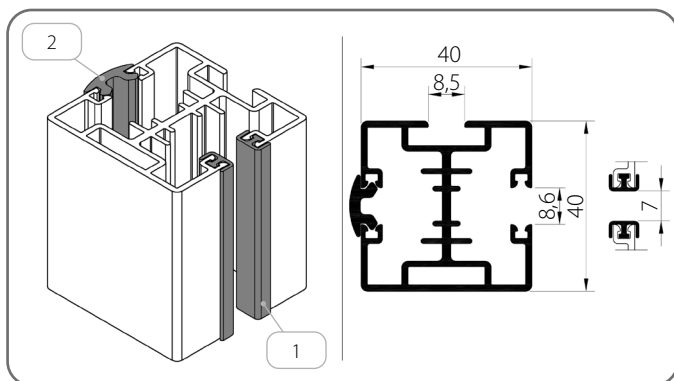
6.5.4. Guide channels - Group IV

PPDO SZF/1/x



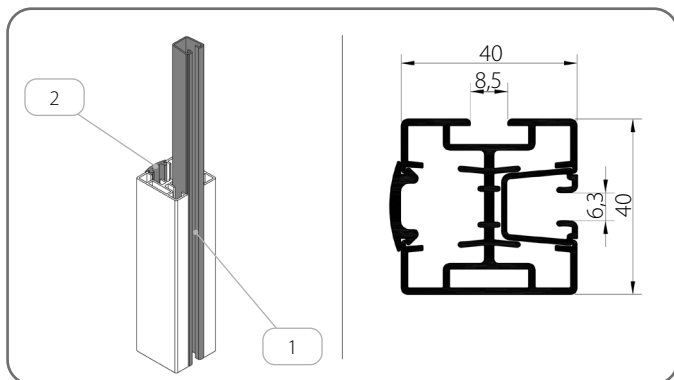
	Name of the component	Colour
1.	Damping seal	20 - black
2.	Masking seal	03 - grey 20 - black

PPD SZF/2/x



	Name of the component	Colour
1.	Damping seal	20 - black
2.	Masking seal	03 - grey 20 - black

PPD SZF/WUF/2/x

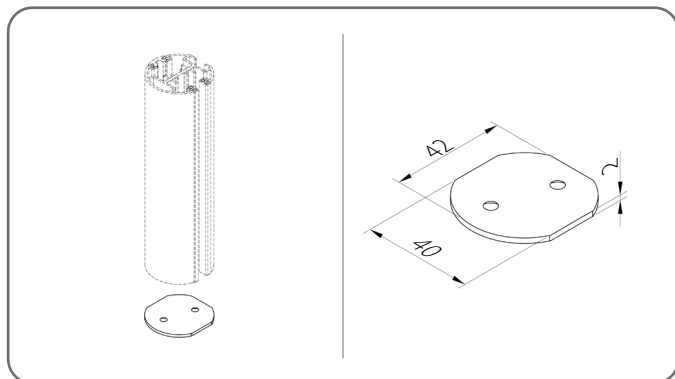


	Name of the component	Colour
1.	Guide channels insert	20 - black
2.	Masking seal	03 - grey 20 - black

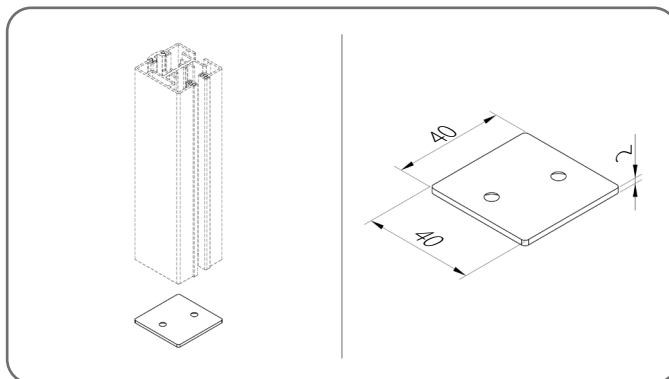
x	Colour	x	Colour	x	Colour	x	Colour
00	mill finish	21	black grey	34	quartz grey	80B	graphite grey
01	silver	22B	ultra white	37B	grey aluminium	82	alpine white
03B	grey	23B	anthracite grey	45	beige satin	IK	different colour
09	brown	29	light beige	73B	mouse grey		
16B	ivory	31B	light grey	74B	copper bronze		
20B	black	33	basalt grey	75B	metallic grey		

6.5.4.1. Guide channel side lock

ZPPDO SZF/1



ZPPD SZF/2



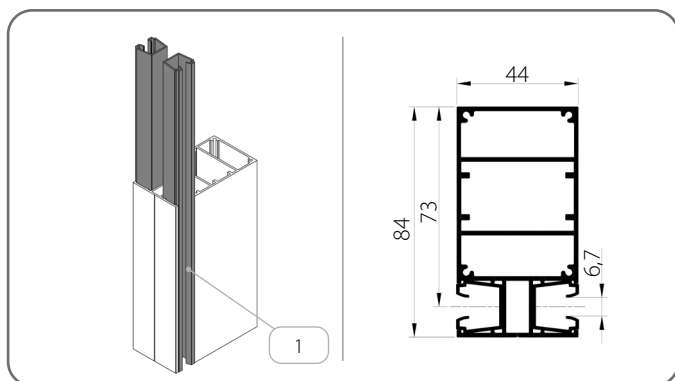
x	Colour	x	Colour	x	Colour	x	Colour
00	mill finish	21	black grey	34	quartz grey	80B	graphite grey
01	silver	22B	ultra white	37B	grey aluminium	82	alpine white
03B	grey	23B	anthracite grey	45	beige satin	IK	different colour
09	brown	29	light beige	73B	mouse grey		
16B	ivory	31B	light grey	74B	copper bronze		
20B	black	33	basalt grey	75B	metallic grey		

Aluminium side lock.

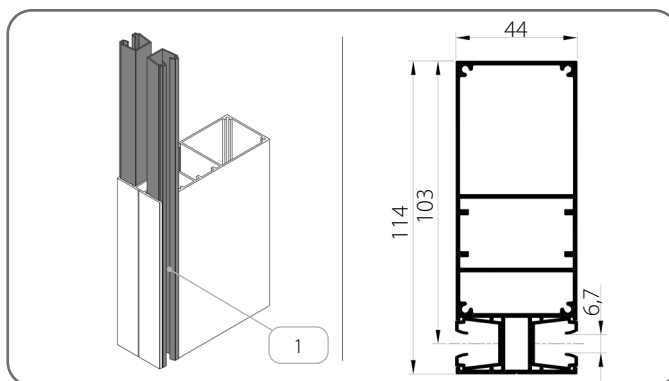
6.6. Division guide channels

6.6.1. Guide channels - Group II

PT04/x



PT05/x



	Name of the component	Colour
1.	Guide channels insert	03 - grey 20 - black

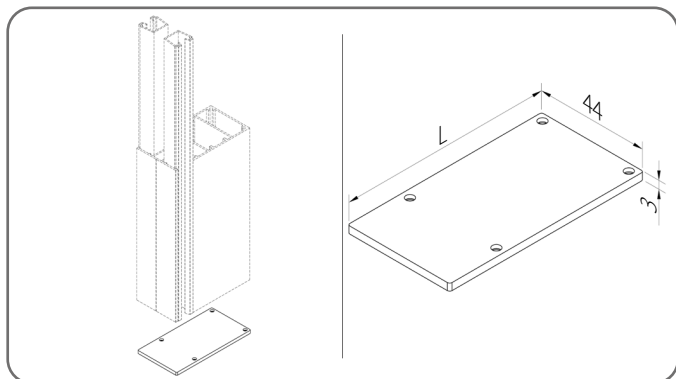
x	Colour	x	Colour	x	Colour	x	Colour
00	mill finish	21	black grey	34	quartz grey	80B	graphite grey
01	silver	22B	ultra white	37B	grey aluminium	82	alpine white
03B	grey	23B	anthracite grey	45	beige satin	IK	different colour
09	brown	29	light beige	73B	mouse grey		
16B	ivory	31B	light grey	74B	copper bronze		
20B	black	33	basalt grey	75B	metallic grey		

**CATALOGUE - TECHNICAL GUIDE FOR EXTERNAL
VENETIAN BLINDS (FACADE) SZF SkyFLOW SYSTEM**

C 80 / 6. UNDER PLASTER BLINDS BOX/EDGE

6.6.1.1. Guide channel side lock

For guide channels type PT

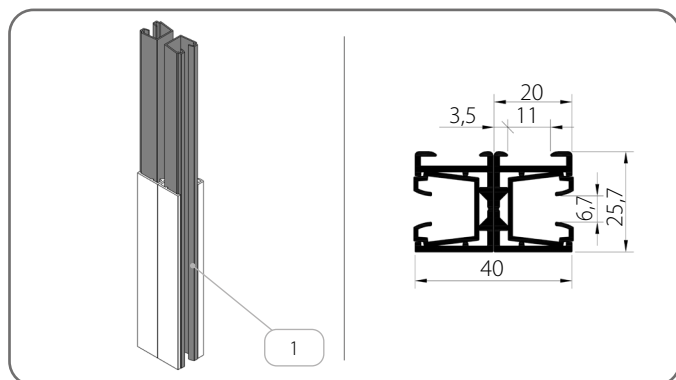


	Catalogue code	L [mm]
1.	ZPT04/x	83,5
2.	ZPT05/x	113,5

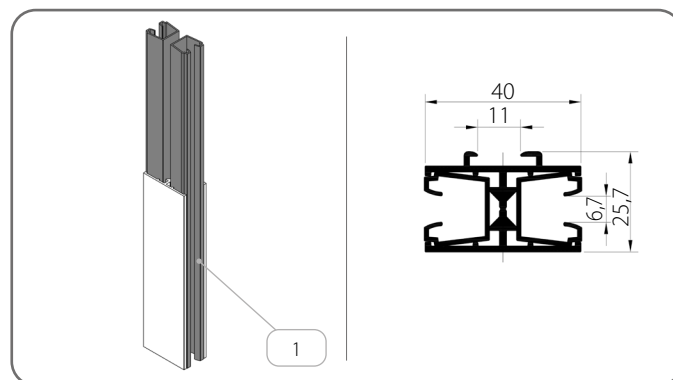
x	Colour	x	Colour	x	Colour	x	Colour
00	mill finish	21	black grey	34	quartz grey	80B	graphite grey
01	silver	22B	ultra white	37B	grey aluminium	82	alpine white
03B	grey	23B	anthracite grey	45	beige satin	IK	different colour
09	brown	29	light beige	73B	mouse grey		
16B	ivory	31B	light grey	74B	copper bronze		
20B	black	33	basalt grey	75B	metallic grey		

6.6.2. Guide channels - Group III

PP SZF/WUF_S/2/x + PP SZF/WUF_S/2/x



PPD SZF/WUF_S/1/x

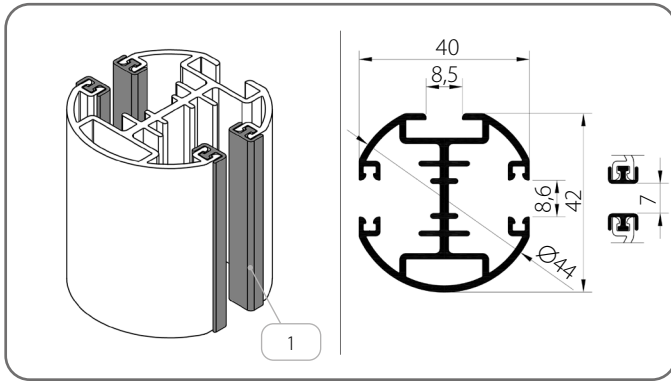


	Name of the component	Colour
1.	Guide channels insert	03 - grey 20 - black

x	Colour	x	Colour	x	Colour	x	Colour
00	mill finish	21	black grey	34	quartz grey	80B	graphite grey
01	silver	22B	ultra white	37B	grey aluminium	82	alpine white
03B	grey	23B	anthracite grey	45	beige satin	IK	different colour
09	brown	29	light beige	73B	mouse grey		
16B	ivory	31B	light grey	74B	copper bronze		
20B	black	33	basalt grey	75B	metallic grey		

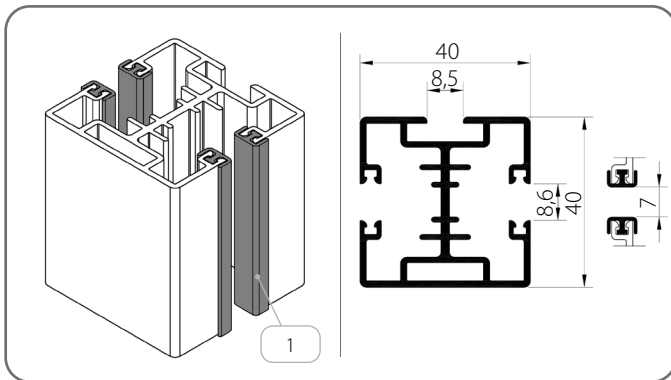
6.6.3. Guide channels - Group IV

PPDO-P SZF/1/x



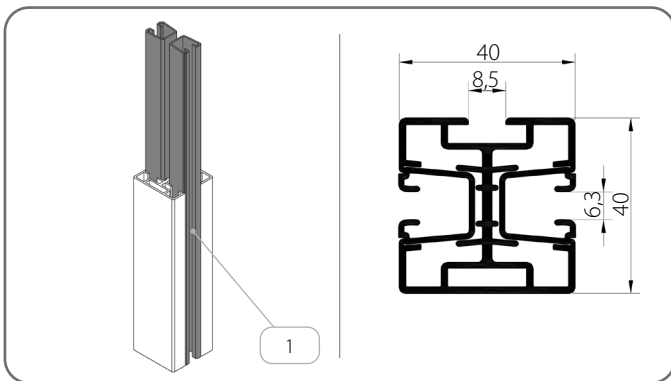
	Name of the component	Colour
1.	Guide channels insert	20 - black

PPD-P SZF/2/x



	Name of the component	Colour
1.	Guide channels insert	20 - black

PPD-P SZF/WUF/2/x



	Name of the component	Colour
1.	Guide channels insert	20 - black

x	Colour	x	Colour	x	Colour	x	Colour
00	mill finish	21	black grey	34	quartz grey	80B	graphite grey
01	silver	22B	ultra white	37B	grey aluminium	82	alpine white
03B	grey	23B	anthracite grey	45	beige satin	IK	different colour
09	brown	29	light beige	73B	mouse grey		
16B	ivory	31B	light grey	74B	copper bronze		
20B	black	33	basalt grey	75B	metallic grey		

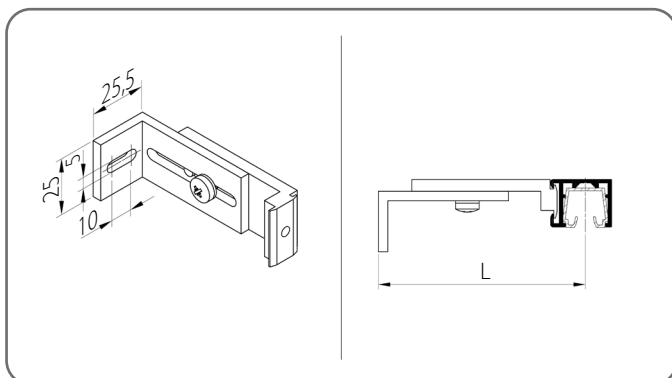
**CATALOGUE - TECHNICAL GUIDE FOR EXTERNAL
VENETIAN BLINDS (FACADE) SZF SkyFLOW SYSTEM**

C 80 / 6. UNDER PLASTER BLINDS BOX/EDGE

6.7. Guide channel handles

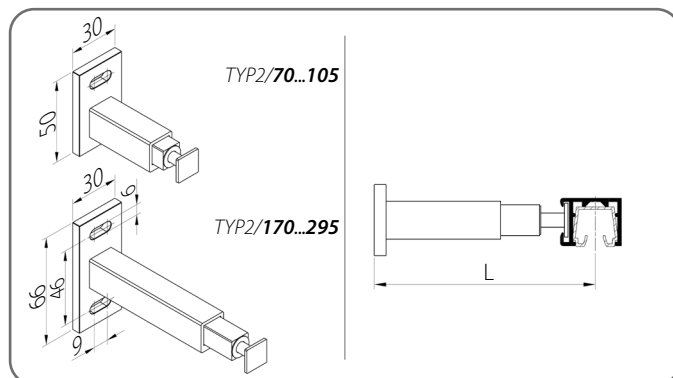
6.7.1. Guide channels - Group III

TYP 1



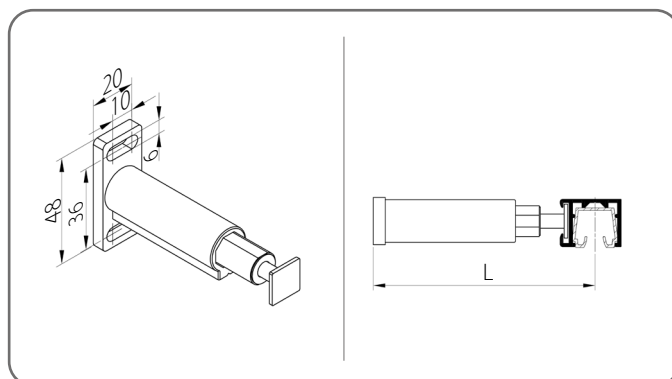
	Catalogue code	L [mm]
1.	TYP1/75/x	55 - 75
2.	TYP1/105/x	76 - 105
3.	TYP1/160/x	106 - 160

TYP 2



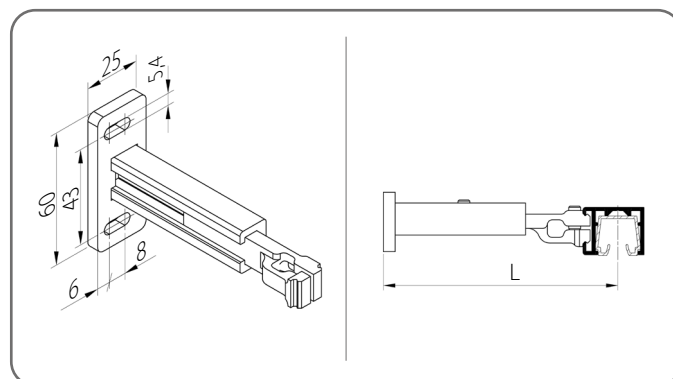
	Catalogue code	L [mm]
1.	TYP2/70/x	50 - 70
2.	TYP2/105/x	71 - 105
3.	TYP2/170/x	106 - 170
4.	TYP2/295/x	171 - 295

TYP 3



	Catalogue code	L [mm]
1.	TYP3/75/x	50 - 75
2.	TYP3/1120/x	76 - 120

TYP 4

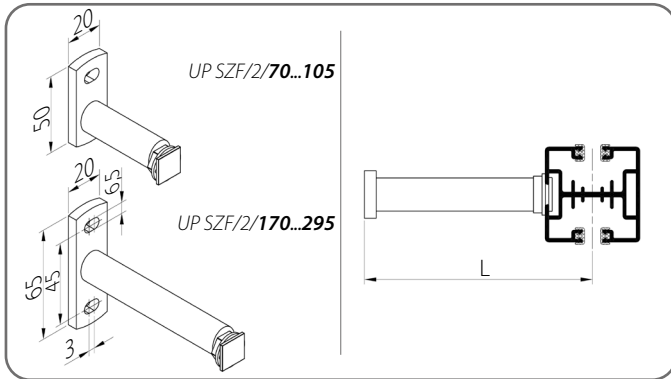


	Catalogue code	L [mm]
1.	TYP4/80/x	60 - 80
2.	TYP4/115/x	81 - 115
3.	TYP4/170/x	116 - 170

x	Colour	x	Colour	x	Colour	x	Colour
00	mill finish	21	black grey	34	quartz grey	80B	graphite grey
01	silver	22B	ultra white	37B	grey aluminium	82	alpine white
03B	grey	23B	anthracite grey	45	beige satin	IK	different colour
09	brown	29	light beige	73B	mouse grey		
16B	ivory	31B	light grey	74B	copper bronze		
20B	black	33	basalt grey	75B	metallic grey		

6.7.2. Guide channels - Group IV

UP SZF/2

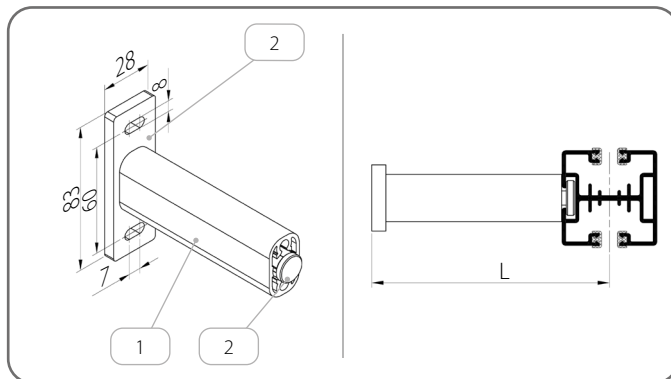


	Catalogue code	L [mm]
1.	UP SZF/2/70/x	58 - 78*
2.	UP SZF/2/105/x	79 - 113*
3.	UP SZF/2/170/x	114 - 178*
4.	UP SZF/2/295/x	179 - 303*

* Values changed due to the use of **PPD-P SZF/2** or **PPDO-P SZF/1** guide channels.

x	Colour	x	Colour	x	Colour	x	Colour
00	mill finish	21	black grey	34	quartz grey	80B	graphite grey
01	silver	22B	ultra white	37B	grey aluminium	82	alpine white
03B	grey	23B	anthracite grey	45	beige satin	IK	different colour
09	brown	29	light beige	73B	mouse grey		
16B	ivory	31B	light grey	74B	copper bronze		
20B	black	33	basalt grey	75B	metallic grey		

UP SZF/4/x



	Catalogue code	L [mm]
1.	UP SZF/4	75 - 200


	Name of the component	Catalogue code
1.	Telescopic handle profile	PUT SZF/x
2.	Telescopic handle set	ZUP SZF/4/x

x	Colour	x	Colour	x	Colour	x	Colour
00	mill finish	21	black grey	34	quartz grey	80B	graphite grey
01	silver	22B	ultra white	37B	grey aluminium	82	alpine white
03B	grey	23B	anthracite grey	45	beige satin	IK	different colour
09	brown	29	light beige	73B	mouse grey		
16B	ivory	31B	light grey	74B	copper bronze		
20B	black	33	basalt grey	75B	metallic grey		

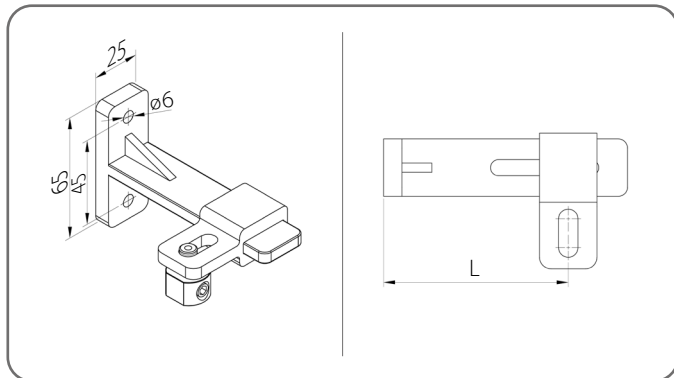
**CATALOGUE - TECHNICAL GUIDE FOR EXTERNAL
VENETIAN BLINDS (FACADE) SZF SkyFLOW SYSTEM**

C 80 / 6. UNDER PLASTER BLINDS BOX/EDGE

6.8. Wire handles

 All grips come with a tensioner.

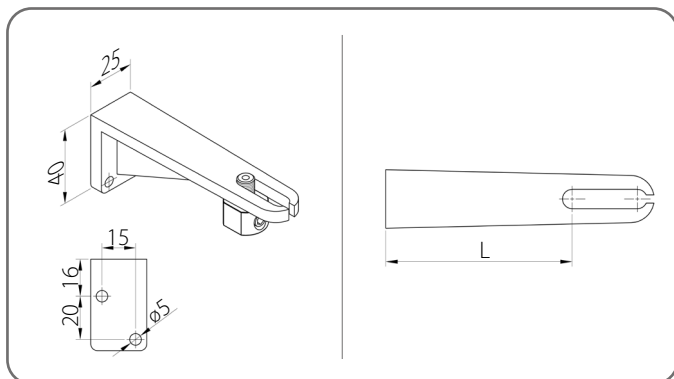
UDL/1



	Catalogue code	L [mm]
1.	UDL/1/90/x	50 - 90
2.	UDL/1/128/x	88 - 128
3.	UDL/1/165/x	125 - 165
4.	UDL/1/200/x	160 - 200

x	Colour	x	Colour	x	Colour	x	Colour
00	mill finish	21	black grey	34	quartz grey	80B	graphite grey
01	silver	22B	ultra white	37B	grey aluminium	82	alpine white
03B	grey	23B	anthracite grey	45	beige satin	IK	different colour
09	brown	29	light beige	73B	mouse grey		
16B	ivory	31B	light grey	74B	copper bronze		
20B	black	33	basalt grey	75B	metallic grey		

UDL/2



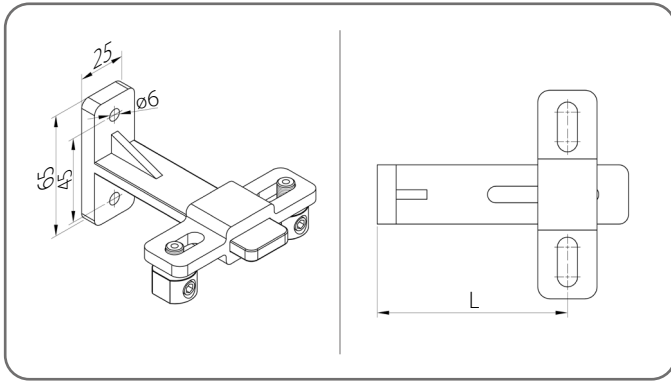
	Catalogue code	L [mm]
1.	UDL/2/50/x	29 - 50
2.	UDL/2/76/x	55 - 76
3.	UDL/2/104/x	83 - 104
4.	UDL/2/132/x	111 - 132
5.	UDL/2/160/x	139 - 160

x	Colour	x	Colour	x	Colour	x	Colour
00	mill finish	21	black grey	34	quartz grey	80B	graphite grey
01	silver	22B	ultra white	37B	grey aluminium	82	alpine white
03B	grey	23B	anthracite grey	45	beige satin	IK	different colour
09	brown	29	light beige	73B	mouse grey		
16B	ivory	31B	light grey	74B	copper bronze		
20B	black	33	basalt grey	75B	metallic grey		

**CATALOGUE - TECHNICAL GUIDE FOR EXTERNAL
VENETIAN BLINDS (FACADE) SZF SKYFLOW SYSTEM**

C 80 / 6. UNDER PLASTER BLINDS BOX/EDGE

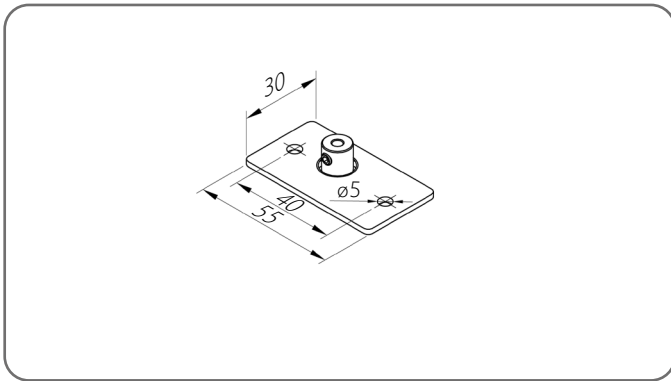
UDL/4



	Catalogue code	L [mm]
1.	UDL/4/90/x	50 - 90
2.	UDL/4/128/x	88 - 128
3.	UDL/4/165/x	125 - 165
4.	UDL/4/200/x	160 - 200

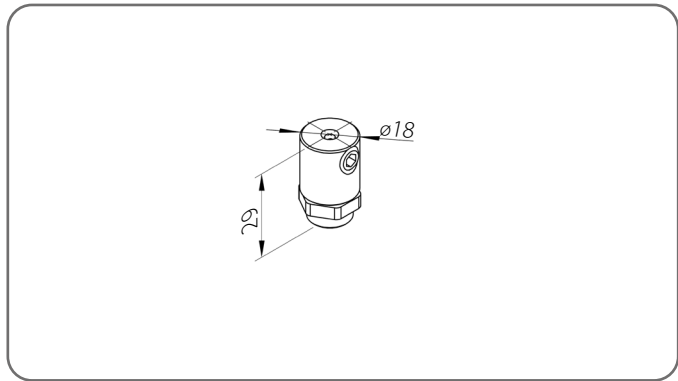
x	Colour	x	Colour	x	Colour	x	Colour
00	mill finish	21	black grey	34	quartz grey	80B	graphite grey
01	silver	22B	ultra white	37B	grey aluminium	82	alpine white
03B	grey	23B	anthracite grey	45	beige satin	IK	different colour
09	brown	29	light beige	73B	mouse grey		
16B	ivory	31B	light grey	74B	copper bronze		
20B	black	33	basalt grey	75B	metallic grey		

UDL/3/x



x	Colour
AND	anodised


UDL/5



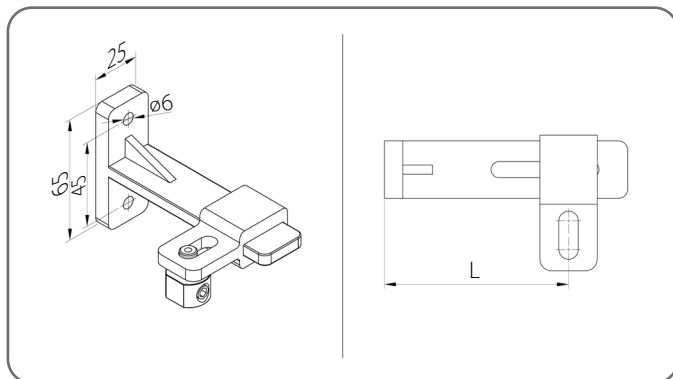
**CATALOGUE - TECHNICAL GUIDE FOR EXTERNAL
VENETIAN BLINDS (FACADE) SZF SkyFLOW SYSTEM**

C 80 / 6. UNDER PLASTER BLINDS BOX/EDGE

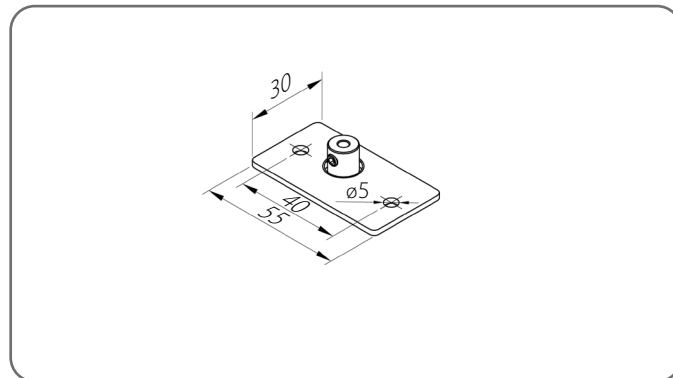
6.8.1. Guide channel wire reinforcement

 All grips come with a tensioner.

UDL/1

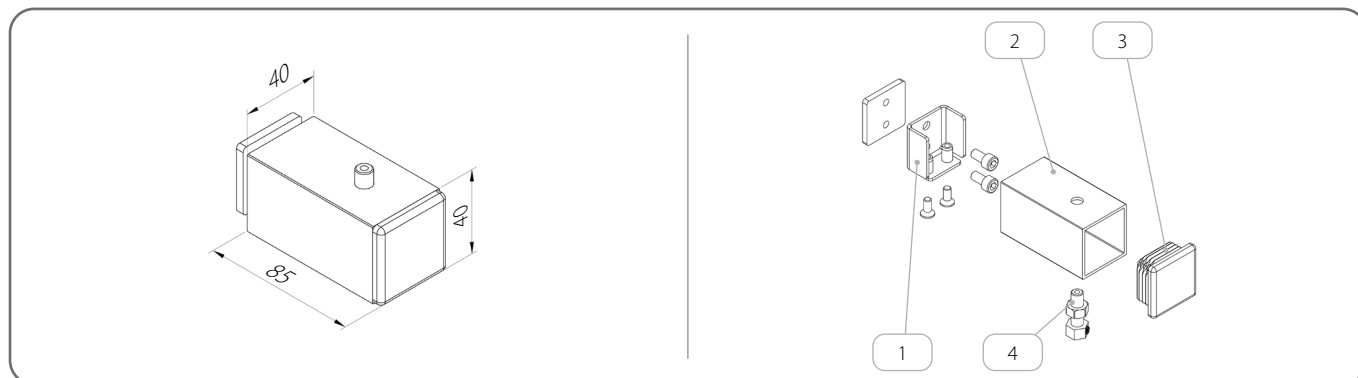


UDL/3/x



	Catalogue code	L [mm]
1.	UDL/1/90/x	50 - 90
2.	UDL/1/128/x	88 - 128
3.	UDL/1/165/x	125 - 165
4.	UDL/1/200/x	160 - 200


WZLP/40x40x2/x



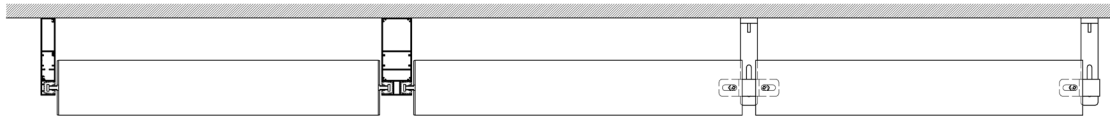
	Name of the component	Catalogue code	Colour
1.	Reinforcement fixing set	ZM/WZLP/40x40x2	
2.	Mounting profile	U/WZLP/40x40x2/x	<i>colour table x</i>
3.	Cap	Z/WZLP/40x40x2/x	02 - white 20B - black 23B - anthracite grey
4.	Cable tensioner	NLS	


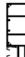


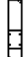
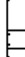
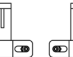


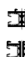
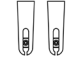



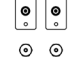

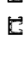






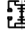


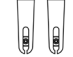

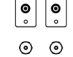




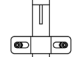







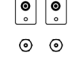





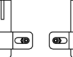



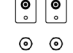


x	Colour	x	Colour	x	Colour	x	Colour
00	mill finish	21	black grey	34	quartz grey	80B	graphite grey
01	silver	22B	ultra white	37B	grey aluminium	82	alpine white
03B	grey	23B	anthracite grey	45	beige satin	IK	different colour
09	brown	29	light beige	73B	mouse grey		
16B	ivory	31B	light grey	74B	copper bronze		
20B	black	33	basalt grey	75B	metallic grey		

6.9. Blinds joining

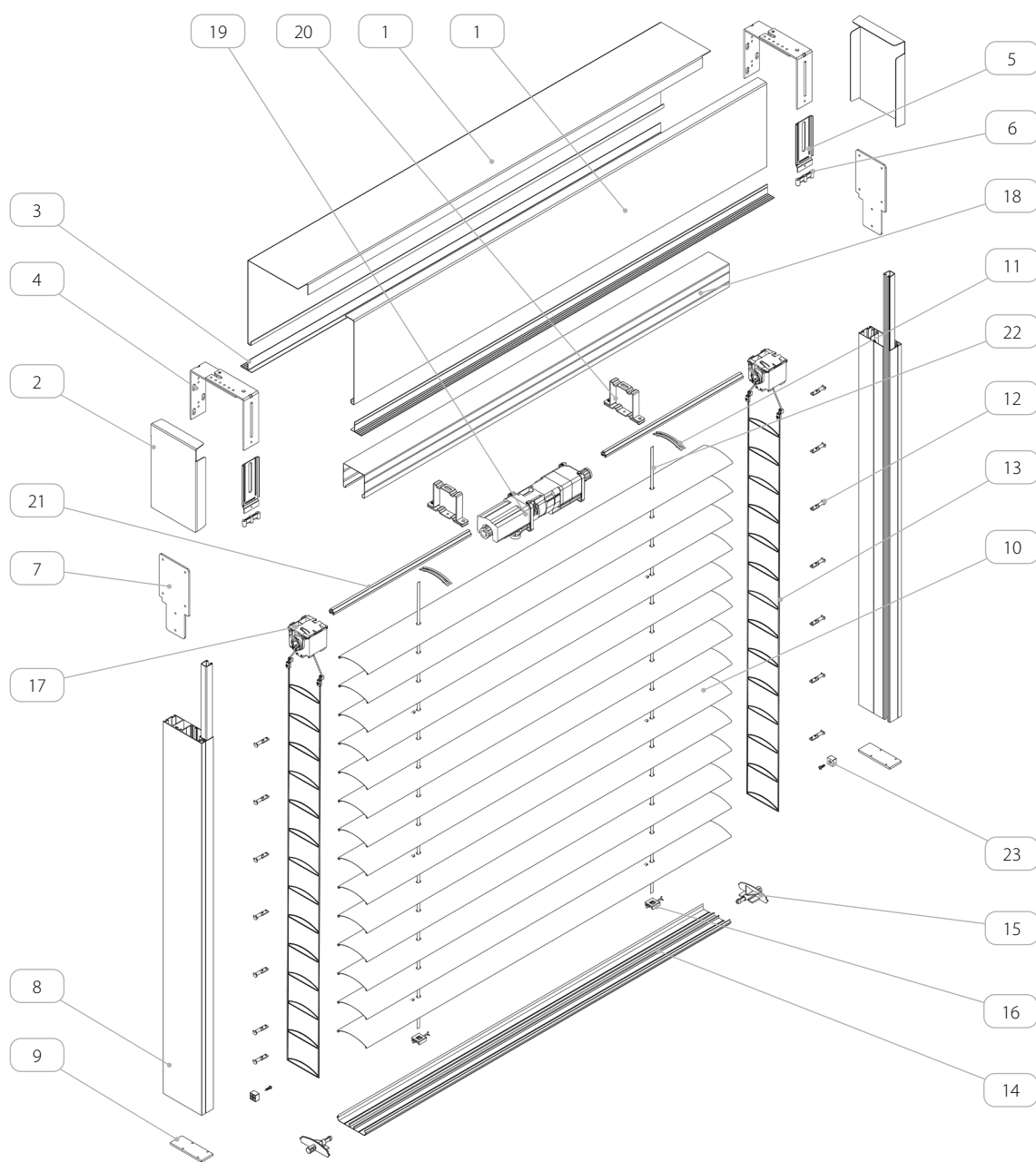
 A common drive for up to 3 blinds can be used.

The division of Venetian blinds



 PT02	 PT04	 UDL/4	 UDL/1
 PT03	 PT05	 UDL/1 + UDL/1	 UDL/2
 PT02_Z	 PPD SZF/WUF_S/1	 UDL/2 + UDL/2	 UDL/3
 PT03_Z	 PP SZF/WUF_S/2	 UDL/3 + UDL/3	 UDL/5
 PP SZF/WUF_S/2		 UDL/5 + UDL/5	
 PPDO SZF/1	 PPDO-P SZF/1	 UDL/4	 UDL/1
 PPD SZF/2	 PPD-P SZF/2	 UDL/1 + UDL/1	 UDL/2
		 UDL/2 + UDL/2	 UDL/3
		 UDL/3 + UDL/3	 UDL/5
		 UDL/5 + UDL/5	
 PPD SZF/WUF/2	 PPD-P SZF/WUF/2	 UDL/4	 UDL/1
 K/PU/P/T2 SZF		 UDL/1 + UDL/1	 UDL/2
 + PU/P/T2 SZF + WUF		 UDL/2 + UDL/2	 UDL/3
		 UDL/3 + UDL/3	 UDL/5
		 UDL/5 + UDL/5	
 K/PU/P/T1 SZF + PU/P/T1 SZF		 UDL/4	 UDL/1
		 UDL/1 + UDL/1	 UDL/2
		 UDL/2 + UDL/2	 UDL/3
		 UDL/3 + UDL/3	 UDL/5
		 UDL/5 + UDL/5	

7. UNDER PLASTER BLINDS BOX/COMPACT



Name of the component			
1.	Safety plate	13.	Ladder braid C 80
2.	End cap	14.	Bottom rail
3.	Support	15.	Blind for end slat
4.	Adjustable top handle	16.	Lift tape and end slat - connector
5.	Auxiliary handle	17.	Mechanism - 8 mm belt
6.	Silencing cap	18.	Steel rail - galvanised
7.	End cap pin	19.	Drive
8.	Guide channel	20.	Guide rail bracket
9.	Guide channel side lock	21.	Shaft 14 mm
10.	Profile C 80	22.	Strap 8 mm
11.	Slat clip	23.	Venetian blind stopper
12.	Pin to C 80		

CATALOGUE - TECHNICAL GUIDE FOR EXTERNAL VENETIAN BLINDS (FACADE) SZF SkyFlow SYSTEM

C 80 / 7. UNDER PLASTER BLINDS BOX/COMPACT

7.1. General information



Where:

A - HEIGHT OF THE PACKAGE [mm]

B - BLINDS HEIGHT [mm]

C - COVER HEIGHT [mm]

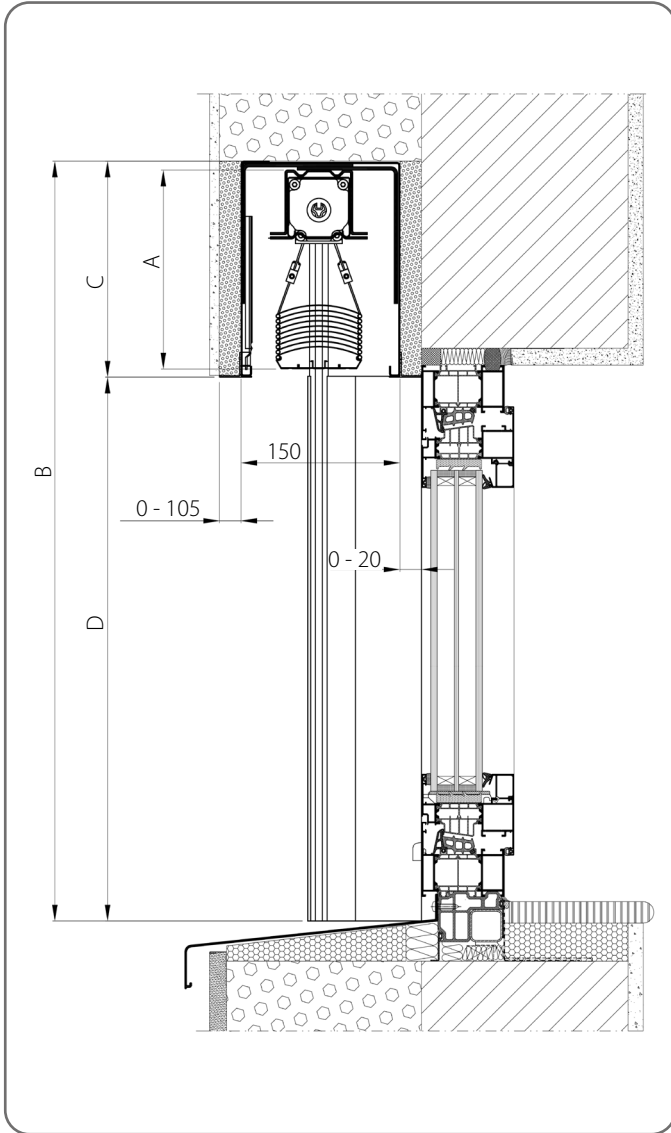
D - CLEAR HEIGHT [mm]

E - INSTALLATION DEPTH [mm]

M - WIDTH OF THE PACKAGE / SLAT [mm]

N - VENETIAN BLIND WIDTH [mm]

The measurement and installation of the venetian blind should be performed by a qualified installer.

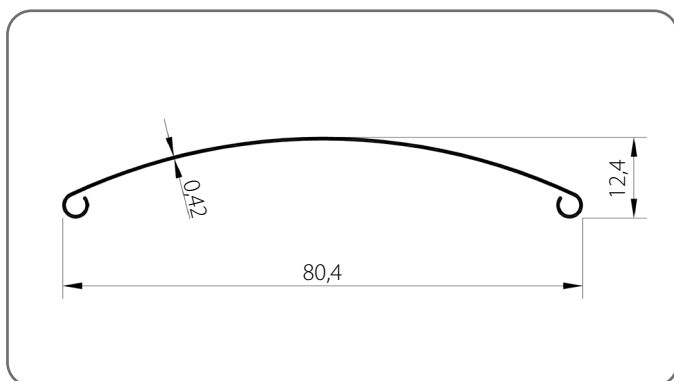


	A [mm]	B [mm]	Blind with guide channel		Venetian blind with cable reinforcement	
			C [mm]	D [mm]	C [mm]	D [mm]
1.	190	600 - 800	200	400 - 800	200	400 - 800
2.	200	801 - 1000				
3.	210	1001 - 1200	250	751 - 1550	250	751 - 1550
4.	230	1201 - 1400				
5.	240	1401 - 1600				
6.	250	1601 - 1800				
7.	260	1801 - 2000	300	1501 - 2300	300	1501 - 2300
8.	280	2001 - 2200				
9.	290	2201 - 2400				
10.	300	2401 - 2600	340	2261 - 2860	340	2261 - 2860
11.	310	2601 - 2800				
12.	320	2801 - 3000				
13.	340	3001 - 3200	390	2811 - 3410	390	2811 - 3410
14.	350	3201 - 3400				
15.	360	3401 - 3600				
16.	370	3601 - 3800	440	3361 - 3560	440	3361 - 4560
17.	380	3801 - 4000				
18.	400	4001 - 4200				
19.	410	4201 - 4400				
20.	420	4401 - 4600	-	-	440	3361 - 4560
21.	430	4601 - 4800				
22.	440	4801 - 5000				

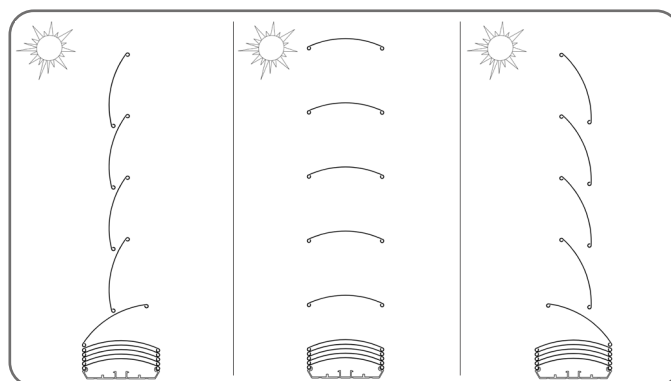
**CATALOGUE - TECHNICAL GUIDE FOR EXTERNAL
VENETIAN BLINDS (FACADE) SZF SkyFLOW SYSTEM**

C 80 / 7. UNDER PLASTER BLINDS BOX/COMPACT

Slat C 80/x



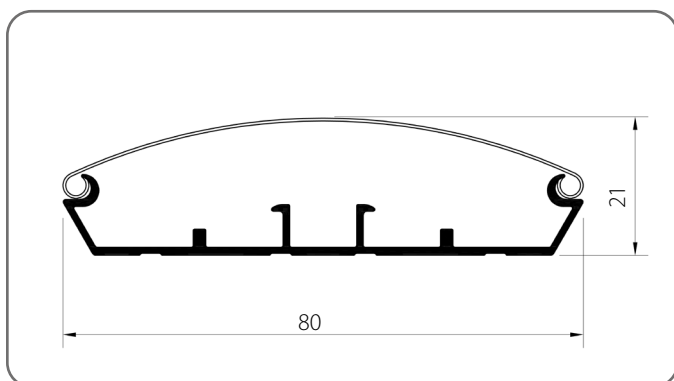
Slats rotation range - 180°*



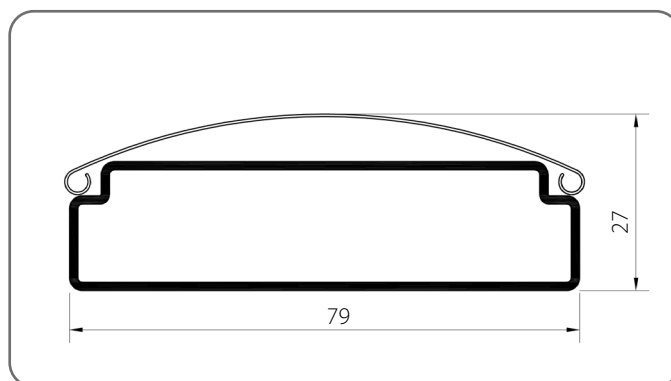
* The slat rotation angle of 180° is an approximate value.

x	Colour	x	Colour	x	Colour	x	Colour
01	silver	21	black grey	33	basalt grey	74B	copper bronze
03B	grey	22B	ultra white	34	quartz grey	75B	metallic grey
09	brown	23B	anthracite grey	37B	grey aluminium	80B	graphite grey
16B	ivory	29	light beige	45	beige satin	82	alpine white
20B	black	31B	light grey	73B	mouse grey		

Open end slat BOA/C80/x

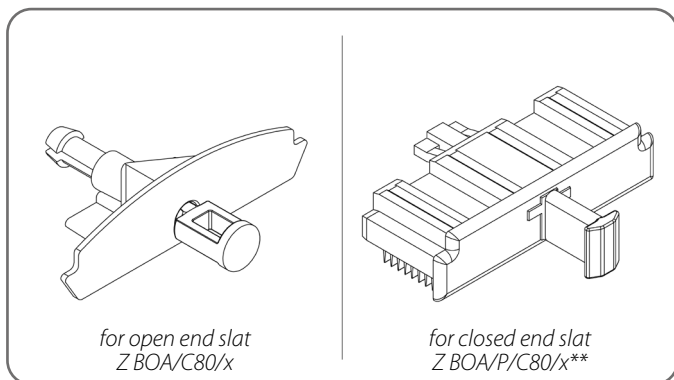


Full end slat BOA/P/C80/x**



x	Colour	x	Colour	x	Colour	x	Colour
00	mill finish	21	black grey	34	quartz grey	80B	graphite grey
01	silver	22B	ultra white	37B	grey aluminium	82	alpine white
03B	grey	23B	anthracite grey	45	beige satin	IK	different colour
09	brown	29	light beige	73B	mouse grey		
16B	ivory	31B	light grey	74B	copper bronze		
20B	black	33	basalt grey	75B	metallic grey		

End slat blind



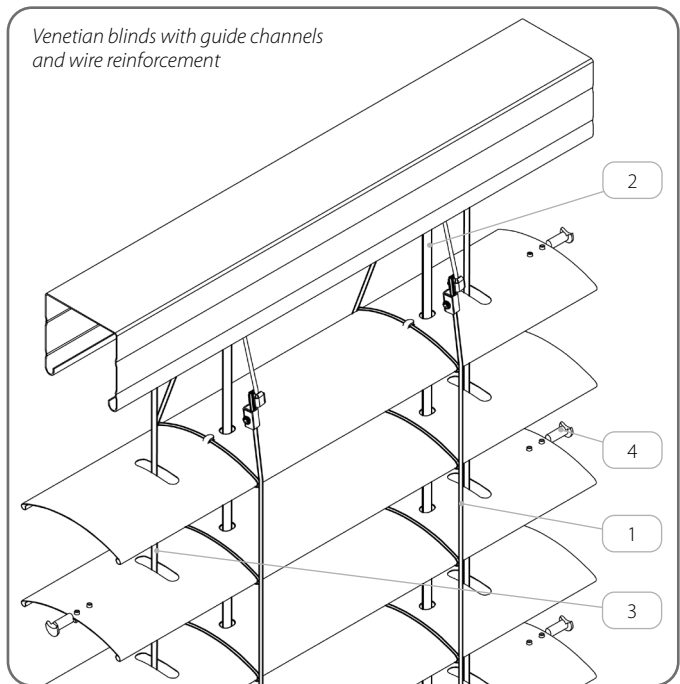
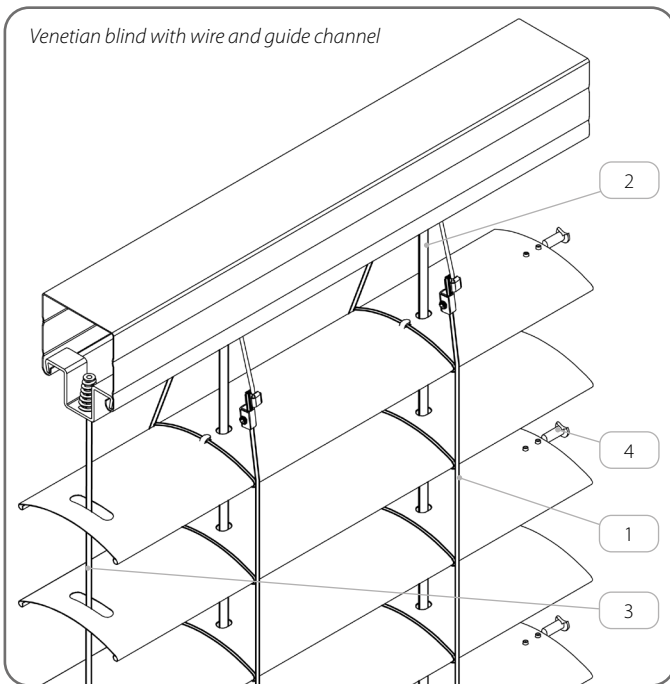
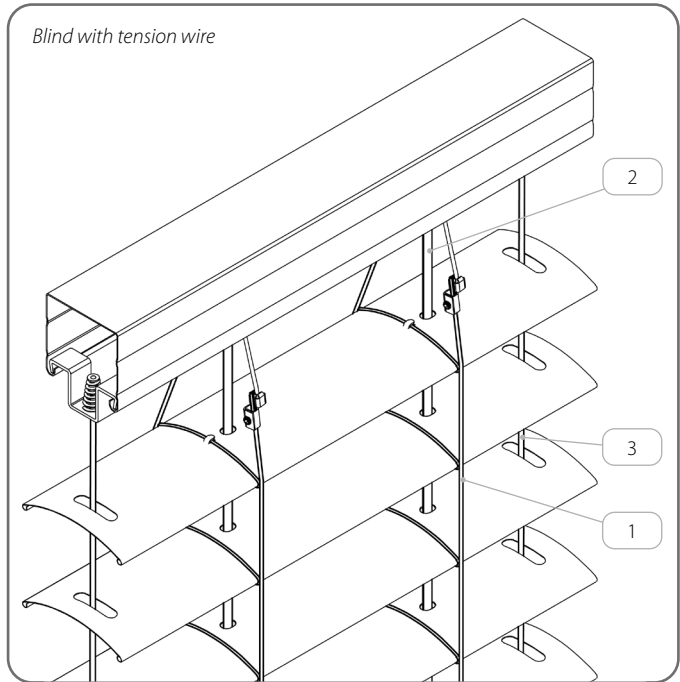
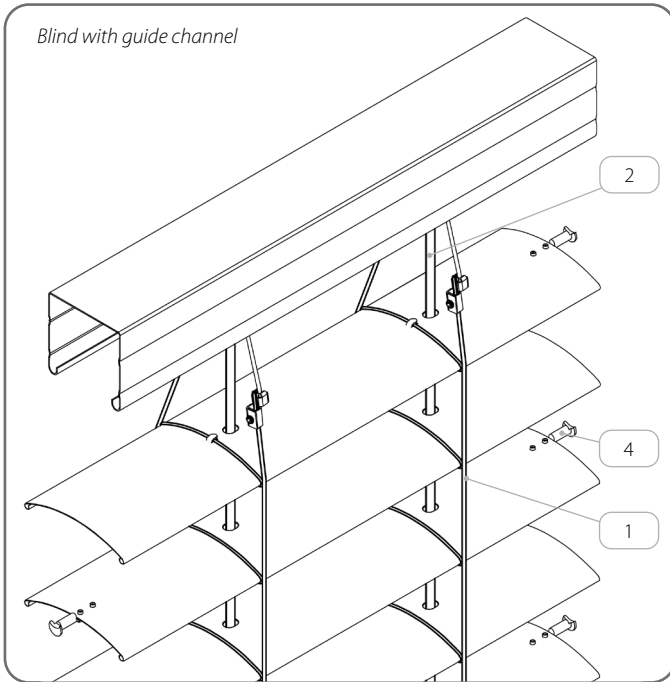
x	Colour
03	grey
20	black

** Cannot be used with cable guidance.

**CATALOGUE - TECHNICAL GUIDE FOR EXTERNAL
VENETIAN BLINDS (FACADE) SZF SKYFLOW SYSTEM**

C 80 / 7. UNDER PLASTER BLINDS BOX/COMPACT

Additional accessories

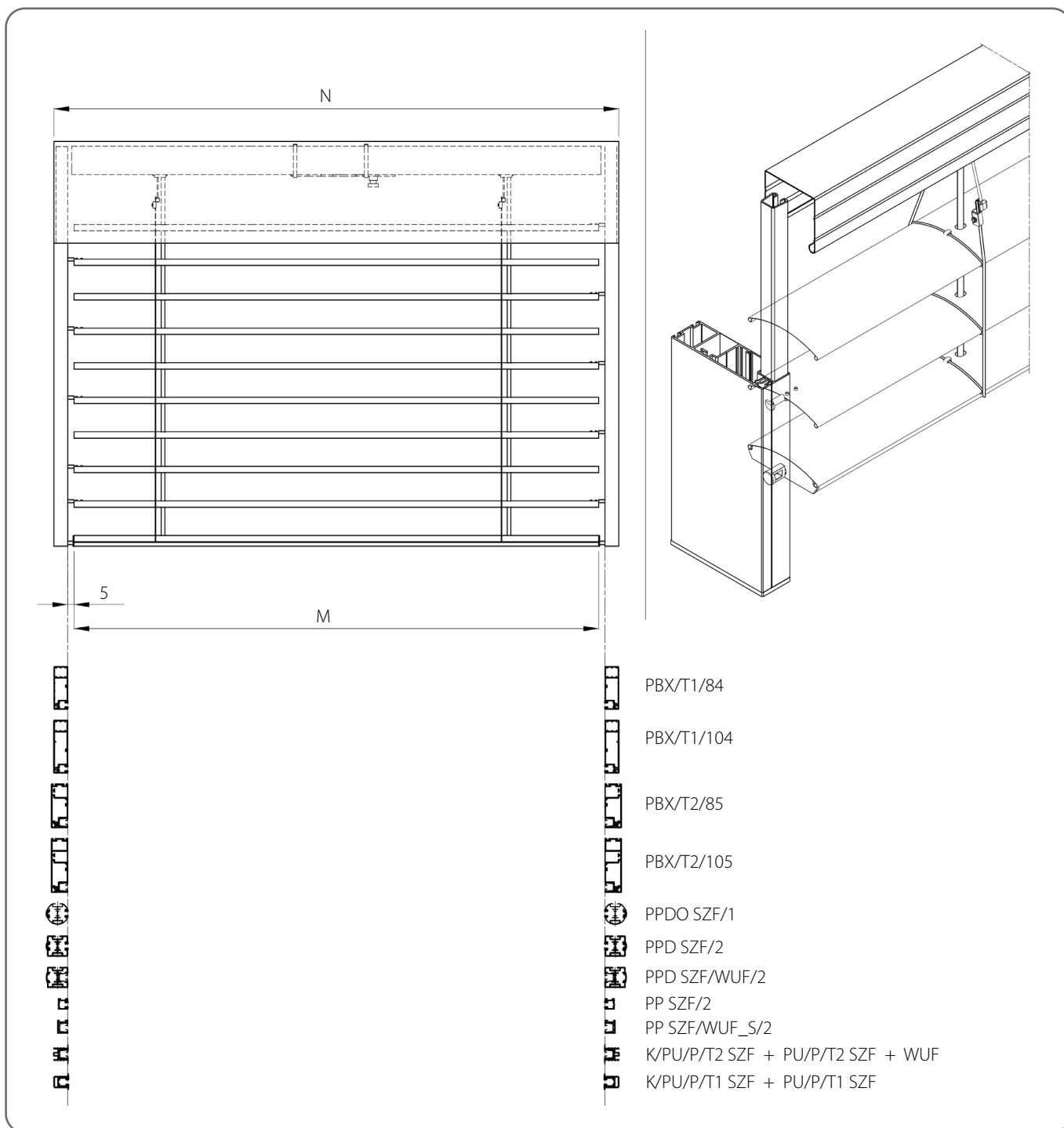


	Name of the component	Catalogue code
1.	Ladder braid C 80	D/C80/x
2.	Strap 8 mm	P SZF/8/x
3.	Steel wire Ø 3, PVC coated	LS SZF/3/x
4.	Pin to C 80 - steel	P/S/C80

x	Colour
03	grey
20	black

Pins are mounted on every other slat for Venetian blinds with guide channels.

7.1.1. Blind with guide channel

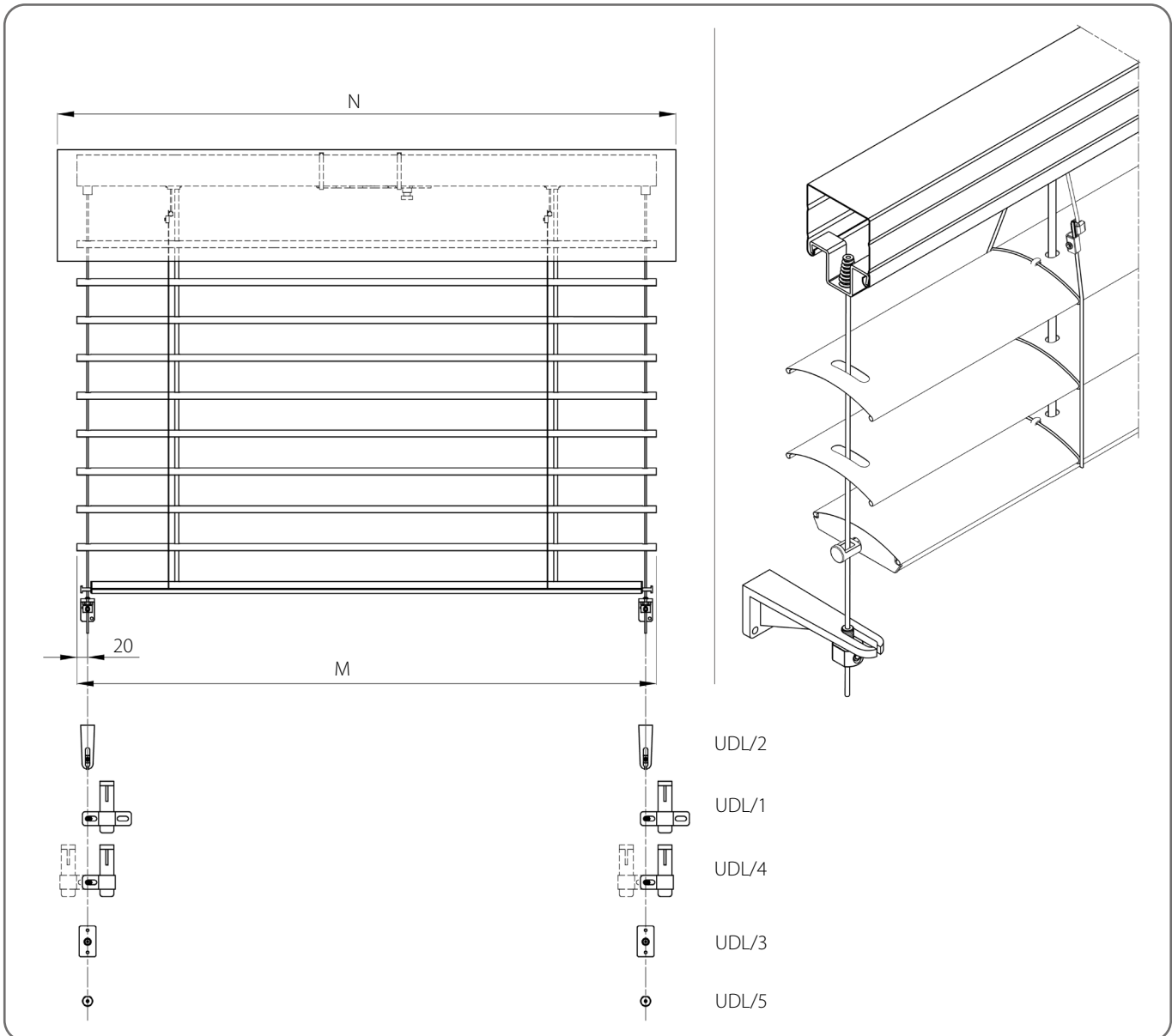


Technical specifications									
Minimum		Maximum		Maximum surface [m ²]	Corner blinds	Electric drive	Motor with emergency opening	Manual drive	Installation
Width [mm]	Height [mm]	Width [mm]	Height [mm]						
600	600	4500	4000	18	NO	YES	YES	YES	External



When dimensioning the Venetian blinds, the planned width of the insulation layer overlapping the window should be taken into account.

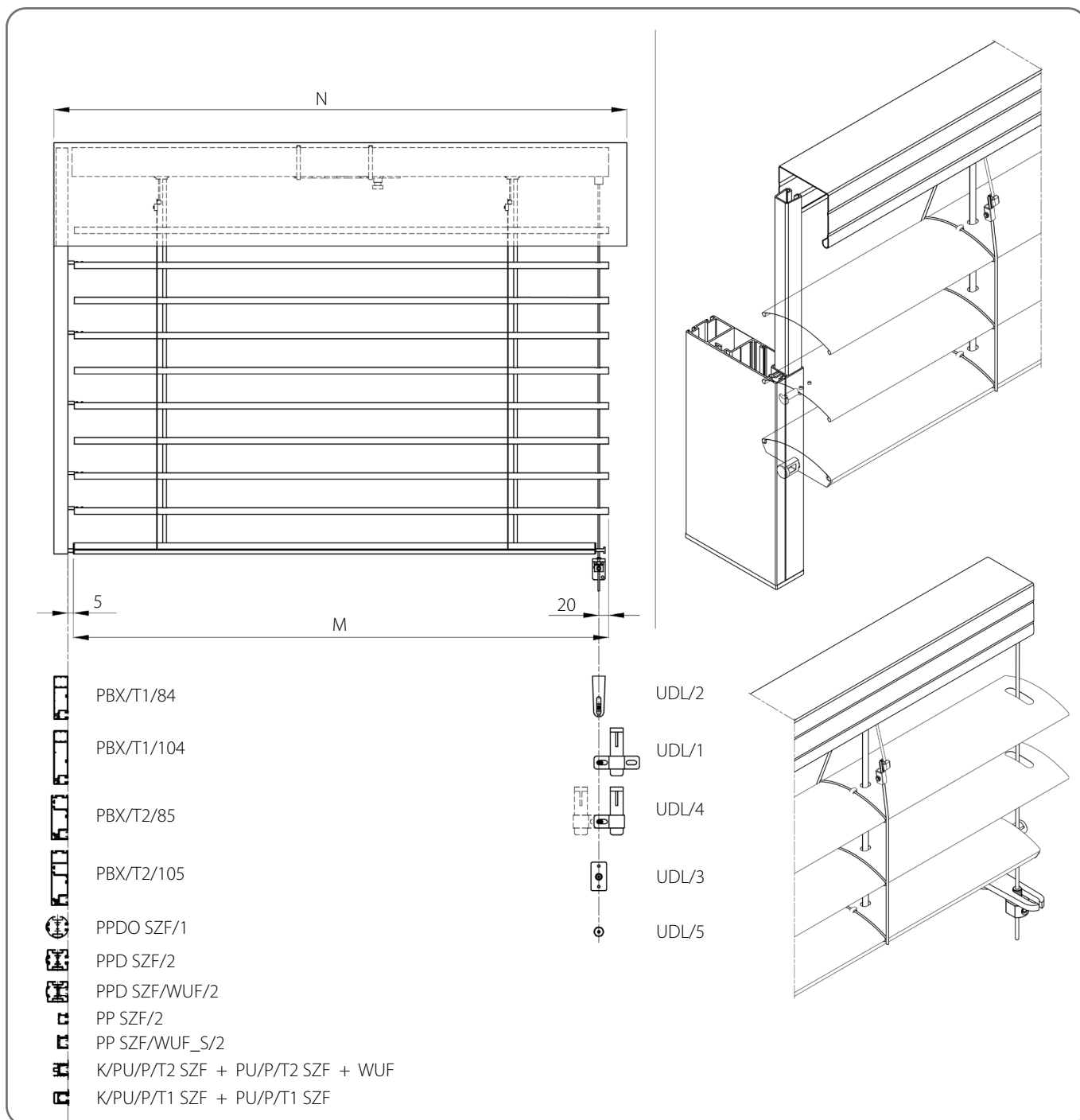
7.1.2. Blind with tension wire



Technical specifications								
Minimum		Maximum	Maximum surface [m ²]	Corner blinds	Electric drive	Motor with emergency opening	Manual drive	Installation
Width [mm]	Height [mm]	Width x Height [mm]						
600	600	3000 x 4000 4000 x 2500	12	NO	YES	YES	YES	External

! When dimensioning the Venetian blinds, the planned width of the insulation layer overlapping the window should be taken into account.

7.1.3. Venetian blind with wire and guide channel



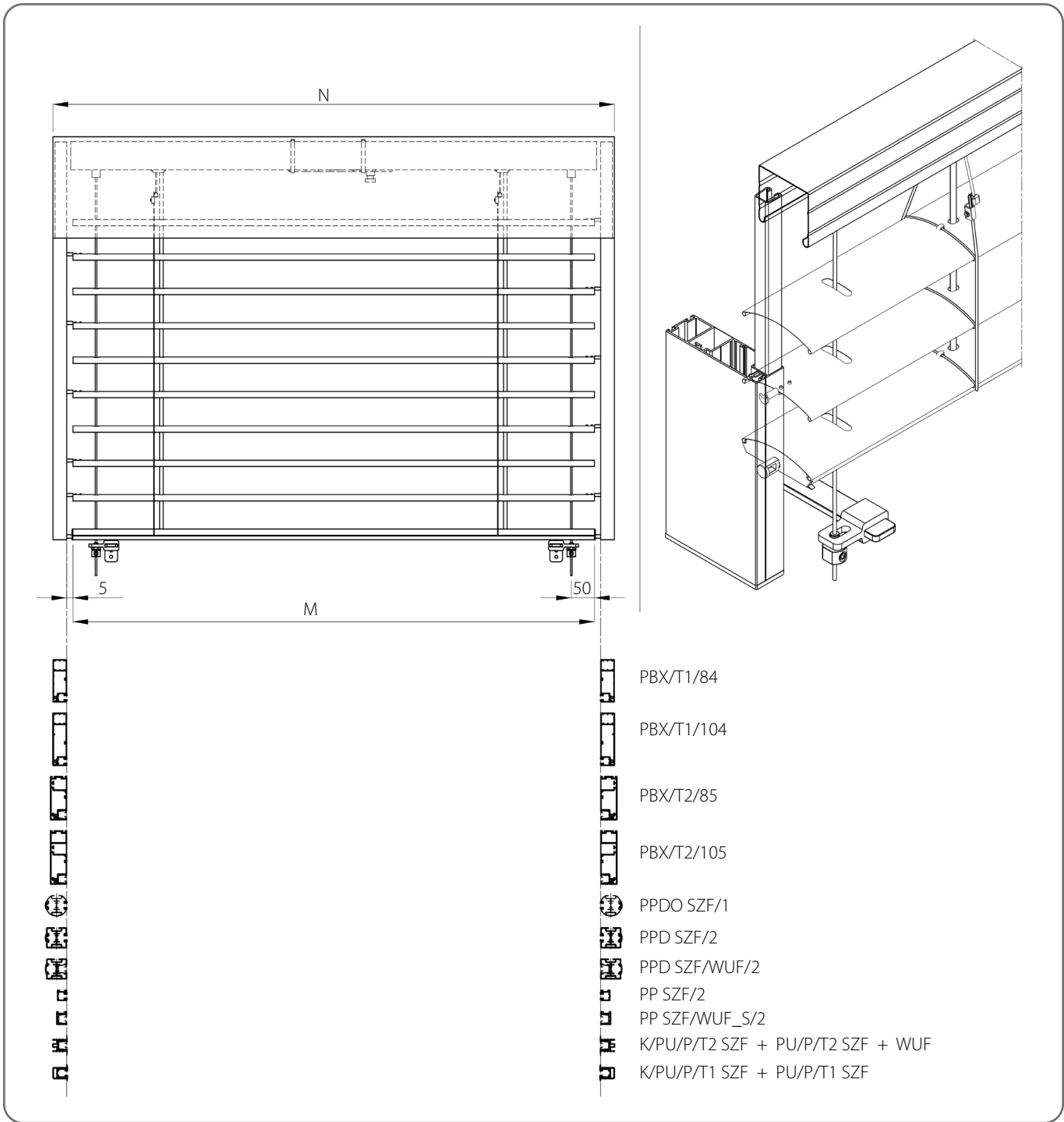
Technical specifications

Minimum		Maximum	Maximum surface [m ²]	Corner blinds	Electric drive	Motor with emergency opening	Manual drive	Installation
Width [mm]	Height [mm]	Width x Height [mm]						
600	600	3000 x 4000 4000 x 2500	12	YES	YES	YES	YES	External



When dimensioning the Venetian blinds, the planned width of the insulation layer overlapping the window should be taken into account.

7.1.4. Venetian blinds with guide channels and wire reinforcement




Technical specifications									
Minimum		Maximum		Maximum surface [m ²]	Corner blinds	Electric drive	Motor with emergency opening	Manual drive	Installation
Width [mm]	Height [mm]	Width [mm]	Height [mm]						
600	600	5000	5000	25	YES	YES	YES	YES	External

⚠ When dimensioning the Venetian blinds, the planned width of the insulation layer overlapping the window should be taken into account.

**CATALOGUE - TECHNICAL GUIDE FOR EXTERNAL
VENETIAN BLINDS (FACADE) SZF SkyFLOW SYSTEM**

C 80 / 7. UNDER PLASTER BLINDS BOX/COMPACT

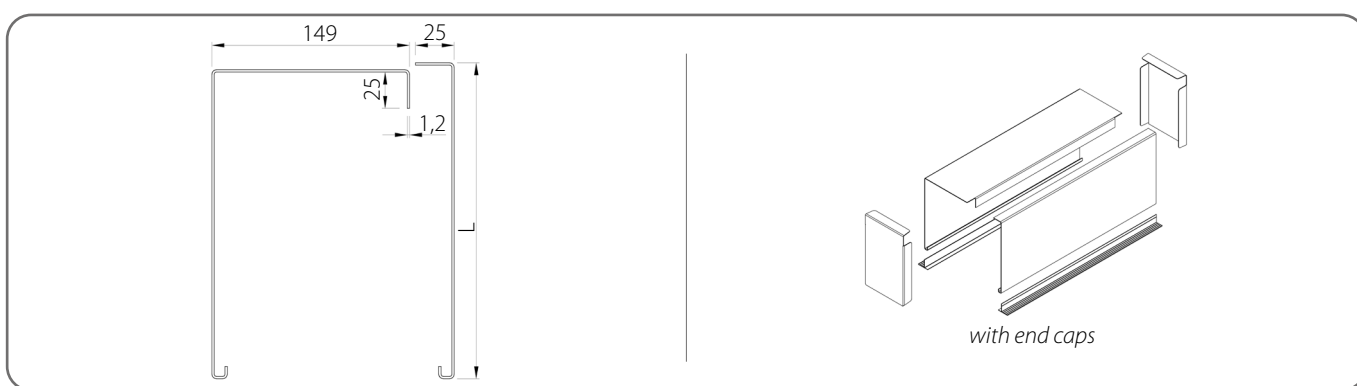
7.2. Cover plate

 It is possible to configure the blinds without the cover plate.

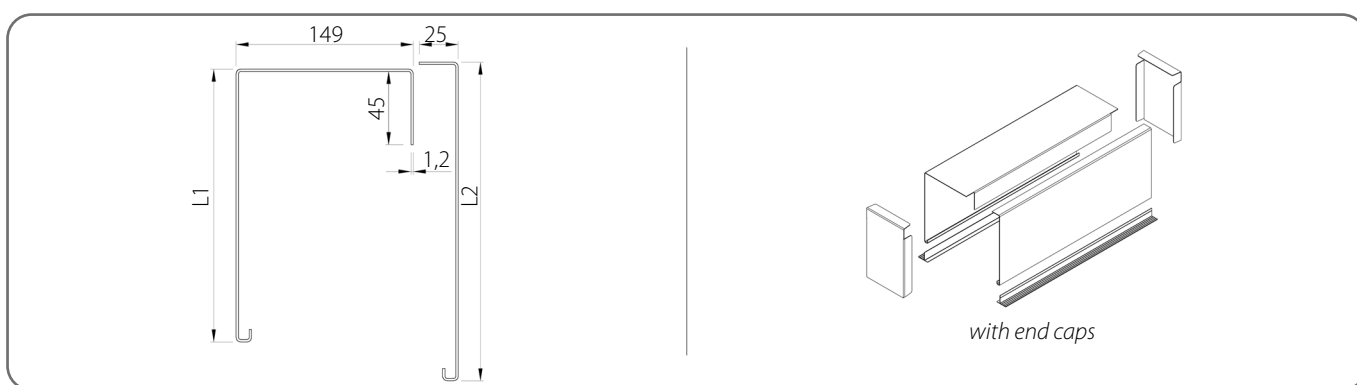
 Maximum width for a single element - 4 m. It is possible to connect boxes.

x	Colour	x	Colour	x	Colour	x	Colour
00	mill finish	21	black grey	34	quartz grey	80B	graphite grey
01	silver	22B	ultra white	37B	grey aluminium	82	alpine white
03B	grey	23B	anthracite grey	45	beige satin	IK	different colour
09	brown	29	light beige	73B	mouse grey		
16B	ivory	31B	light grey	74B	copper bronze		
20B	black	33	basalt grey	75B	metallic grey		

TYPE 6 cover plate



TYPE 6 cover plate/A



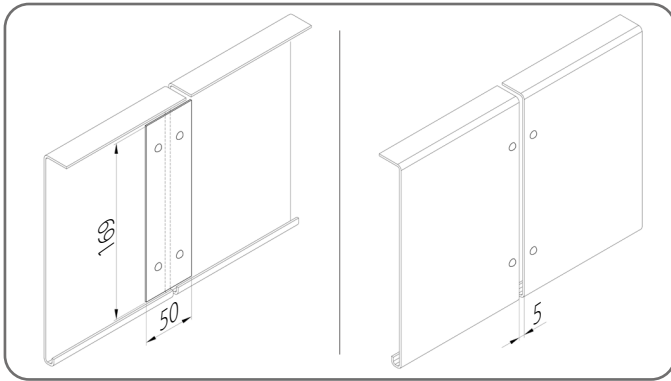
	L [mm]	L1 [mm]	L2 [mm]
1.	200	180	200
3.	250	230	250
5.	300	280	300
7.	340	320	340
9.	390	370	390
12.	440	420	440

**CATALOGUE - TECHNICAL GUIDE FOR EXTERNAL
VENETIAN BLINDS (FACADE) SZF SKYFLOW SYSTEM**

C 80 / 7. UNDER PLASTER BLINDS BOX/COMPACT

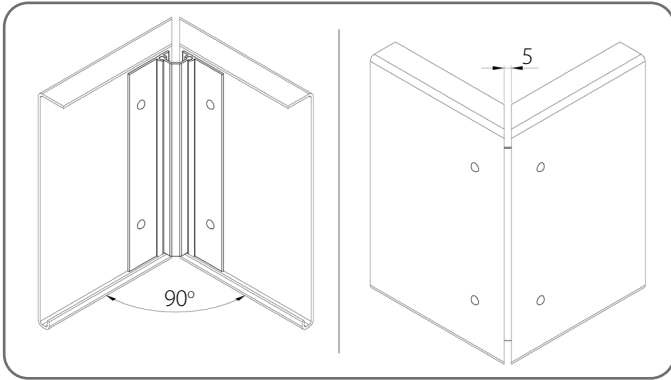
7.2.1. Joining cover plate

Serial connection



Number of connectors LPS/150 [pcs.]		
Plate height [mm]	Safety plate for end cap type	
	TYPE 6, TYPE 6/A	
1. 200 - 300	2	
2. 340 - 440	4	

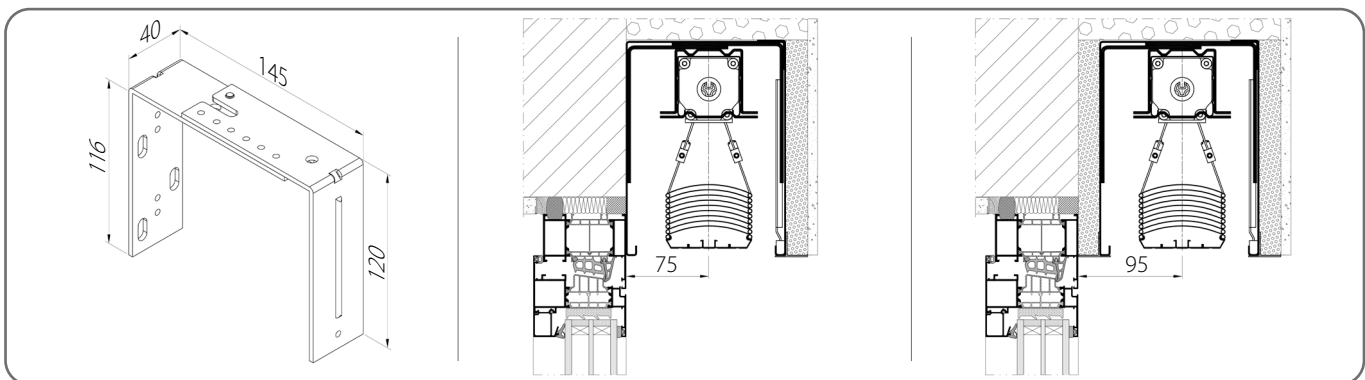
Corner joining



Number of connectors LRS [set]			
Catalogue code	Plate height [mm]	Safety plate for end cap type	
		TYPE 6, TYPE 6/A	
1. LRS/200	200	1	
2. LRS/250	250	1	
3. LRS/300	300	1	
4. LRS/340	340	1	
5. LRS/390	390	1	
6. LRS/440	440	1	

7.3. Top handle

USG/R/2A

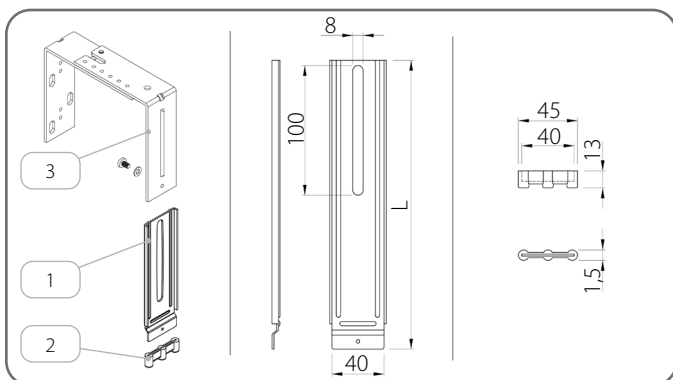


Number of handles [pcs.]						
Safety plate for end cap type	Venetian blind width [mm]					
	600 - 1600	1601 - 2400	2401 - 3200	3201 - 4000	4001 - 4500	4501 - 5000
TYPE 6, TYPE 6/A	2	3	4	5	6	7

**CATALOGUE - TECHNICAL GUIDE FOR EXTERNAL
VENETIAN BLINDS (FACADE) SZF SkyFLOW SYSTEM**

C 80 / 7. UNDER PLASTER BLINDS BOX/COMPACT

7.4. Auxiliary handle

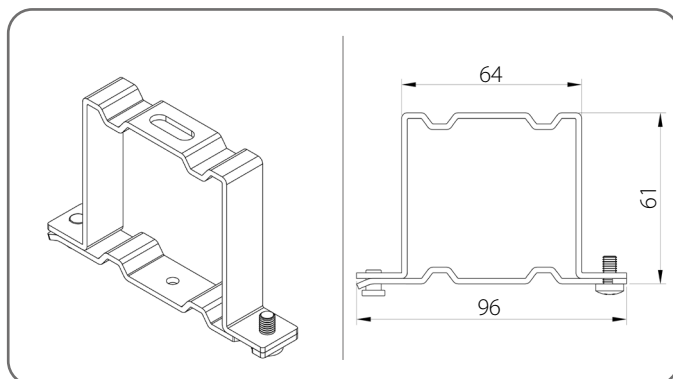


Auxiliary handle			
	Catalogue code	L [mm]	Box height [mm]
1.	UPS/140	143	200
2.	UPS/220	223	250
3.	UPS/220	223	300
4.	UPS/300	303	340
5.	UPS/300	303	390
6.	UPS/380	383	440

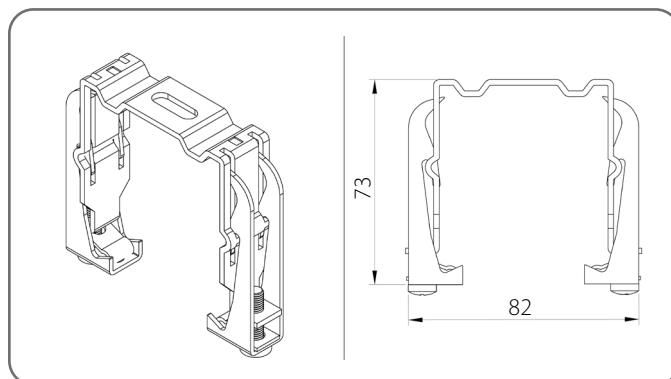
Name of the component	
1.	Auxiliary handle
2.	Silencing cap
3.	Top handle

7.5. Top guide rail bracket

Standard guide rail bracket - US/A

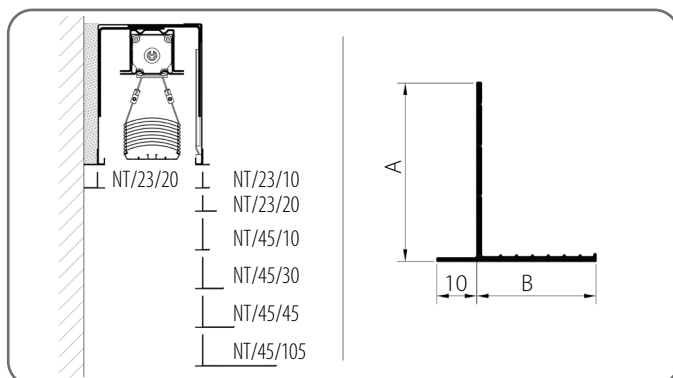


Springy guide rail bracket - US/B



Number of top rail handles						
Venetian blind width [mm]	600 - 1600	1601 - 2400	2401 - 3200	3201 - 4000	4001 - 4500	4501 - 5000
Quantity	2	3	4	5	6	7

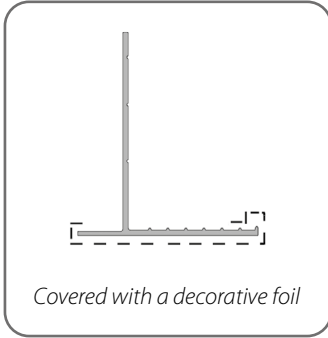
7.6. Support



Support			
	Catalogue code	A [mm]	B [mm]
1.	NT/23/10/x	23	10
2.	NT/23/20/x	23	20
3.	NT/45/10/x	45	10
4.	NT/45/30/x	45	30
5.	NT/45/45/x	45	45
6.	NT/45/105/x	45	105

CATALOGUE - TECHNICAL GUIDE FOR EXTERNAL VENETIAN BLINDS (FACADE) SZF SKYFLOW SYSTEM

C 80 / 7. UNDER PLASTER BLINDS BOX/COMPACT



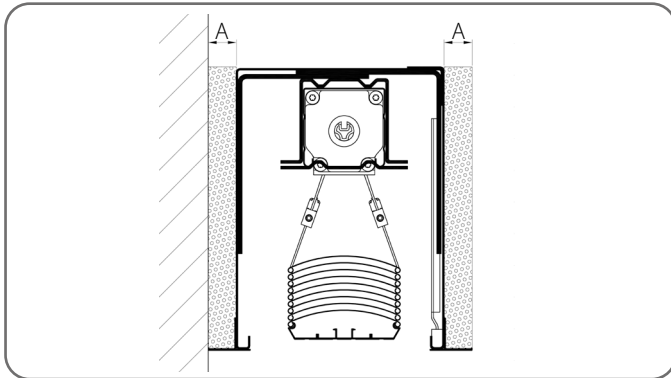
x	Colour	x	Colour	x	Colour
AND	anodised	23	anthracite grey	52R	winchester
00	mill finish	23B	anthracite grey	53R	dark oak
01	silver	26R	mahogany	73B	mouse grey
02	white	28R	nut	74B	copper bronze
03B	grey	29	light beige	75B	metallic grey
08	dark brown	30R	golden oak	80B	graphite grey
09	brown	31B	light grey	82	alpine white
16B	ivory	33	basalt grey	280R	nut
20B	black	34	quartz grey	300R	golden oak
21	black grey	37B	grey aluminium	IK	different colour
22B	ultra white	45	beige satin		

R - COvered with a decorative foil

	AND	00	01	02	03B	08	09	16B	20B	21	22B	23	23B	26R	28R	29	30R	31B	33	34	37B	45	52R	53R	73B	74B	75B	80B	82	280R	300R
NT/23/10/x	x	x	x	x	x	x		x	x		x	x	x	x	x	x	x	x	x	x	x	x	x	x	x	x	x	x	x	x	x
NT/23/20/x	x	x	x	x	x	x	x	x	x	x	x	x	x	x	x	x	x	x	x	x	x	x	x	x	x	x	x	x	x		
NT/45/10/x	x	x	x	x	x	x		x	x		x	x	x	x	x	x	x	x	x	x	x	x	x	x	x	x	x	x	x	x	x
NT/45/30/x	x	x	x	x	x	x		x	x		x	x	x			x		x	x	x	x				x	x	x	x			
NT/45/45/x	x	x	x	x	x	x		x	x		x	x	x			x		x	x	x	x				x	x	x	x			
NT/45/105/x	x	x	x	x	x	x		x	x		x	x	x			x		x	x	x	x				x	x	x	x			

R - COvered with a decorative foil

7.7. Plaster foundation



Plaster foundation		
	Catalogue code	A [mm]
1.	NT/XPS/8	8
2.	NT/XPS/10	10
3.	NT/XPS/16	16
4.	NT/XPS/20	20
5.	NT/XPS/22	22
6.	NT/XPS/30	30

7.8. Other information

Blinds height [mm]	Slat width [mm]						
	1400	2400	3400	4400	5000	-	-
600 - 2500	1400	2400	3400	4400	5000	-	-
2501 - 3000	1300	2200	3100	4000	4900	5000	-
3001 - 4500	1200	2000	2800	3600	4400	5000	-
4501 - 5000	1100	1800	2500	3200	3900	4600	5000
Number of strap mechanisms	2	3	4	5	6	7	8

Guide channel handle					
Blinds height [mm]	600 - 1600	1601 - 2600	2601 - 3600	3601 - 4600	4601 - 5000
Number of handles [for 1 pcs guide channel]	2	3	4	5	6

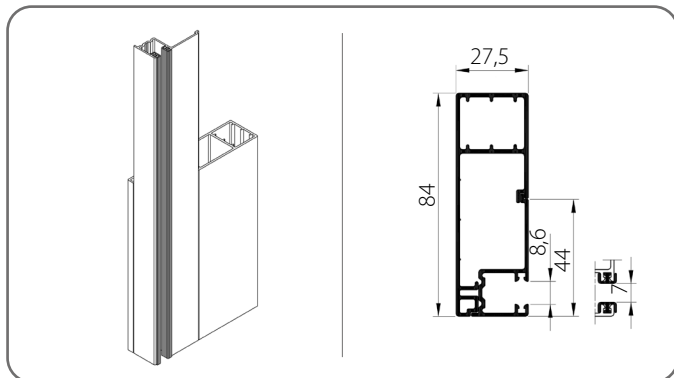
**CATALOGUE - TECHNICAL GUIDE FOR EXTERNAL
VENETIAN BLINDS (FACADE) SZF SkyFLOW SYSTEM**

C 80 / 7. UNDER PLASTER BLINDS BOX/COMPACT

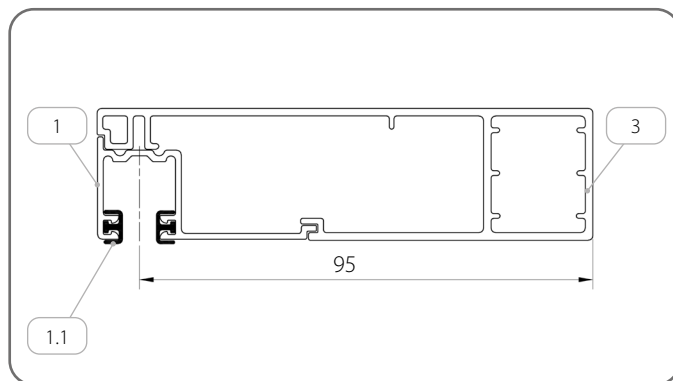
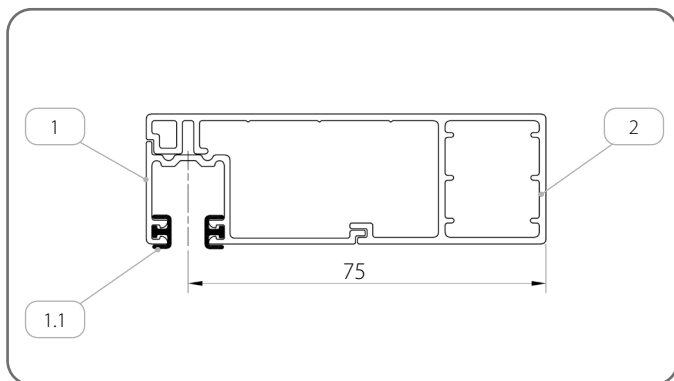
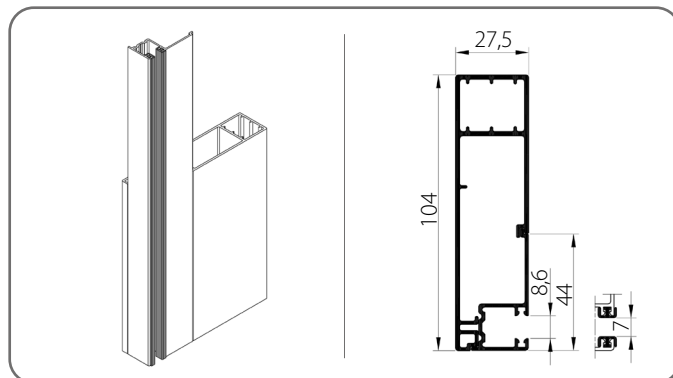
7.9. Guide channels

7.9.1. Guide channels - I Group

PBX/T1/84/x



PBX/T1/104/x



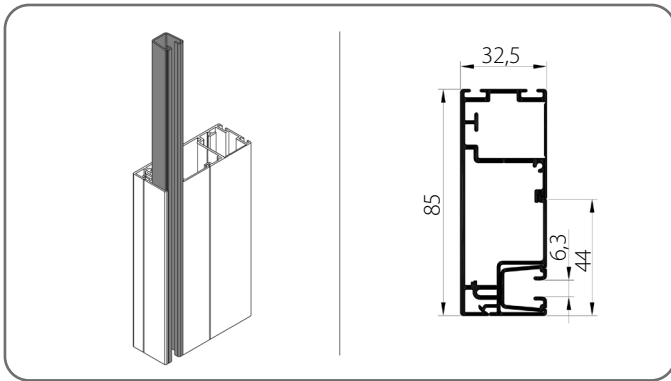
	Name of the component	Colour	Catalogue code
1.	Guide channel	x	PPF/x
1.1.	Damping seal	20 - black	-
2.	Guide channel adaptor	x	APPF/x
3.	Guide channel adaptor	x	APPF/104/x

x	Colour	x	Colour	x	Colour	x	Colour
00	mill finish	21	black grey	34	quartz grey	80B	graphite grey
01	silver	22B	ultra white	37B	grey aluminium	82	alpine white
03B	grey	23B	anthracite grey	45	beige satin	IK	different colour
09	brown	29	light beige	73B	mouse grey		
16B	ivory	31B	light grey	74B	copper bronze		
20B	black	33	basalt grey	75B	metallic grey		

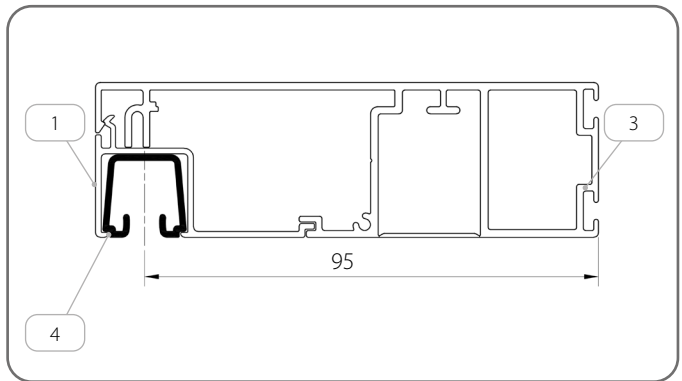
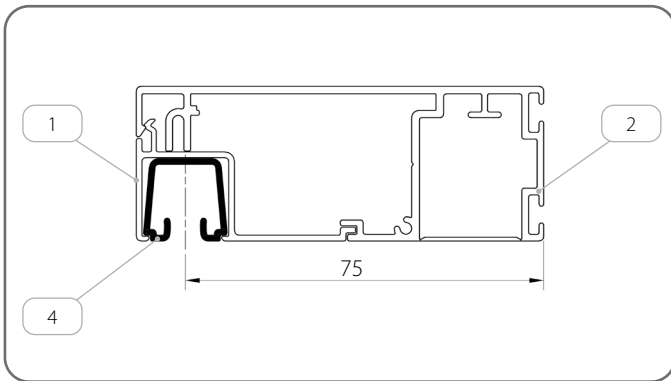
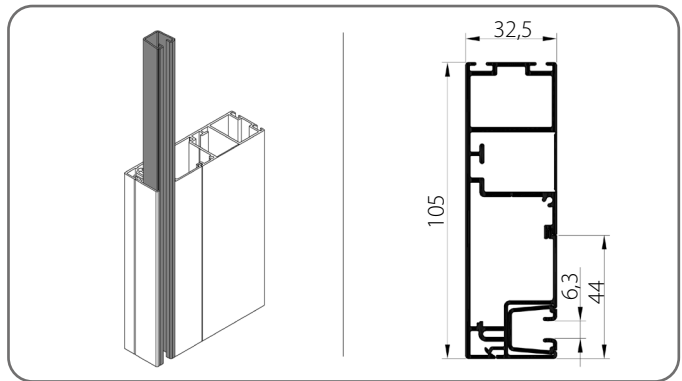
**CATALOGUE - TECHNICAL GUIDE FOR EXTERNAL
VENETIAN BLINDS (FACADE) SZF SKYFLOW SYSTEM**

C 80 / 7. UNDER PLASTER BLINDS BOX/COMPACT

PBX/T2/85/x



PBX/T2/105/x



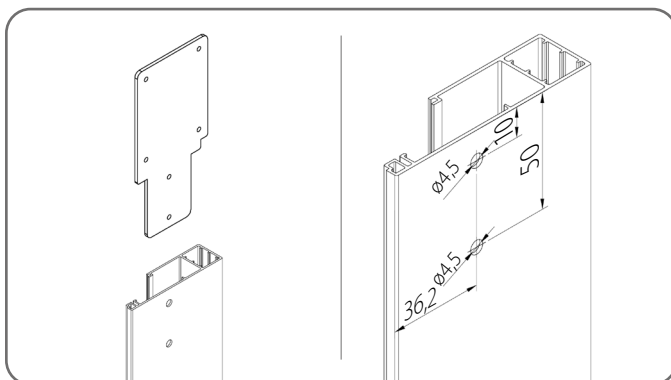
	Name of the component	Colour	Catalogue code
1.	Guide channel	x	PWUFx
2.	Guide channel adaptor	x	APWUF/85/x
3.	Guide channel adaptor	x	APWUF/105/x
4.	Guide channels insert	20 - black	WUF

x	Colour	x	Colour	x	Colour	x	Colour
00	mill finish	21	black grey	34	quartz grey	80B	graphite grey
01	silver	22B	ultra white	37B	grey aluminium	82	alpine white
03B	grey	23B	anthracite grey	45	beige satin	IK	different colour
09	brown	29	light beige	73B	mouse grey		
16B	ivory	31B	light grey	74B	copper bronze		
20B	black	33	basalt grey	75B	metallic grey		

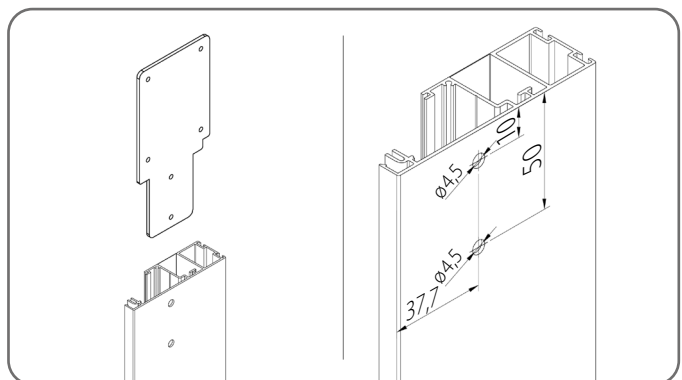
7.9.1.1. Drilling guide channels

Holes for attaching end cap pin and guide channels are already prepared.

PBX/T1




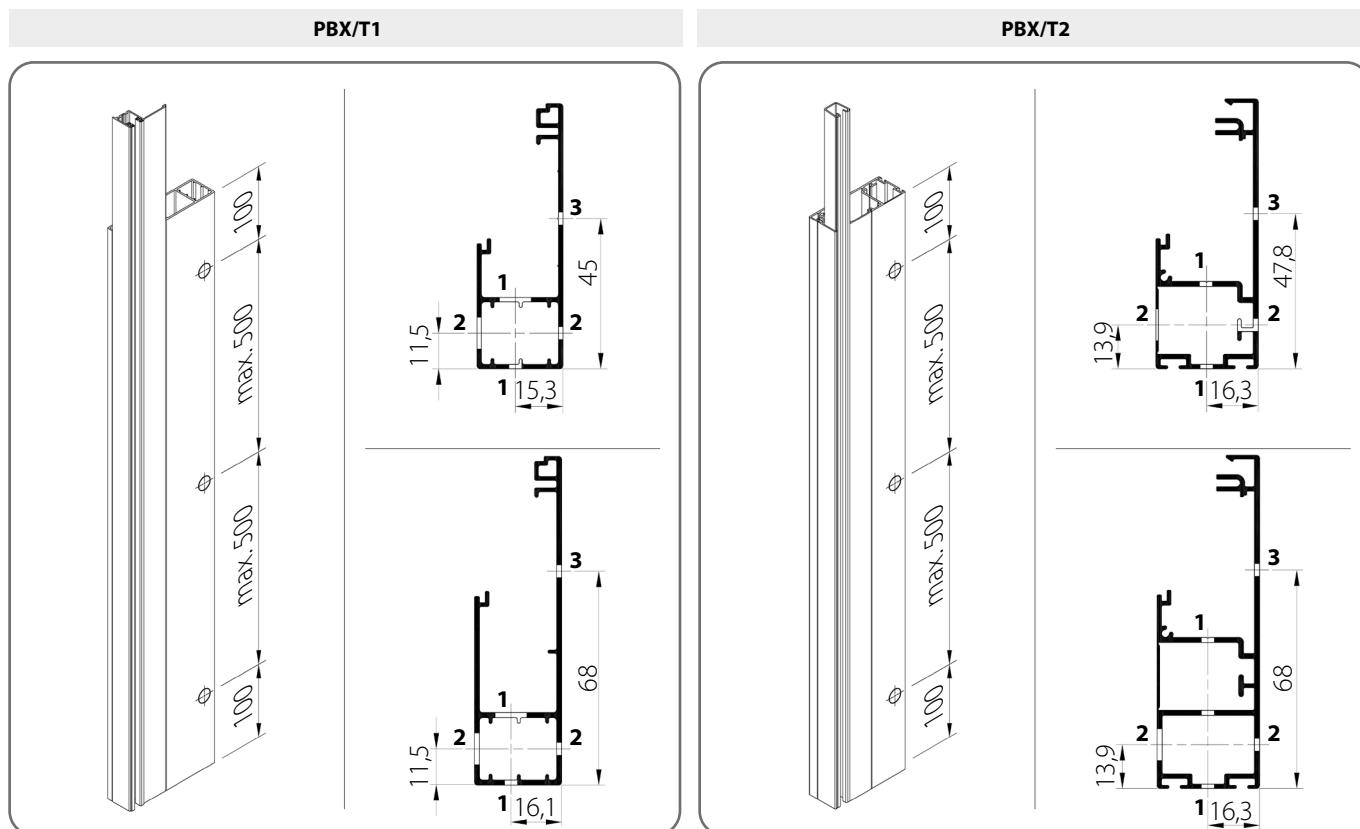
PBX/T2



**CATALOGUE - TECHNICAL GUIDE FOR EXTERNAL
VENETIAN BLINDS (FACADE) SZF SkyFLOW SYSTEM**

C 80 / 7. UNDER PLASTER BLINDS BOX/COMPACT

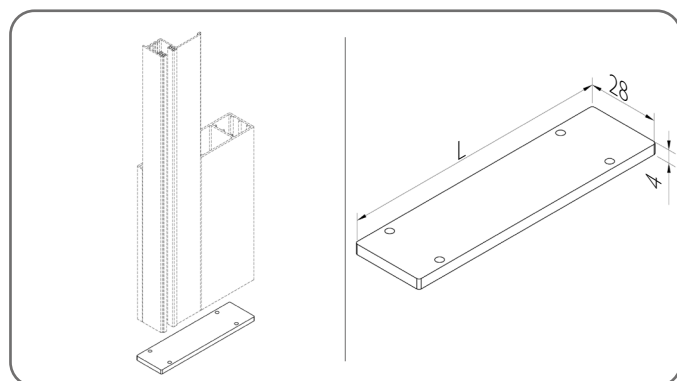
 It is possible to order a guide channel with pre-drilled mounting holes in accordance with the diagram.



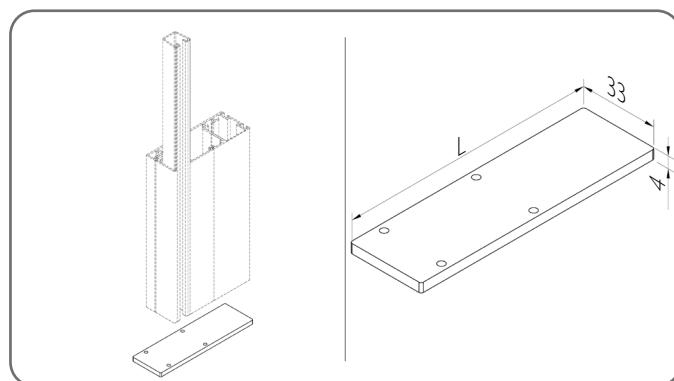
7.9.1.2. Guide channel side lock

Aluminium side lock.

For guide channels type BX/T1



For guide channels type BX/T2



	Catalogue code	L [mm]
1.	ZAPBX/T1/84/x	85
2.	ZAPBX/T1/104/x	105

	Catalogue code	L [mm]
1.	ZAPBX/T2/85/x	86
2.	ZAPBX/T2/105/x	106

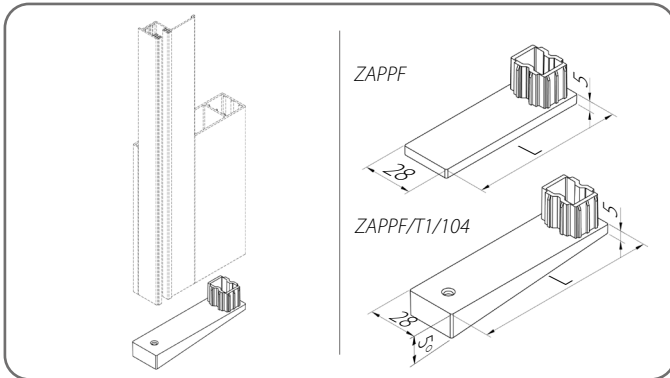
x	Colour	x	Colour	x	Colour	x	Colour
00	mill finish	21	black grey	34	quartz grey	80B	graphite grey
01	silver	22B	ultra white	37B	grey aluminium	82	alpine white
03B	grey	23B	anthracite grey	45	beige satin	IK	different colour
09	brown	29	light beige	73B	mouse grey		
16B	ivory	31B	light grey	74B	copper bronze		
20B	black	33	basalt grey	75B	metallic grey		

**CATALOGUE - TECHNICAL GUIDE FOR EXTERNAL
VENETIAN BLINDS (FACADE) SZF SKYFLOW SYSTEM**

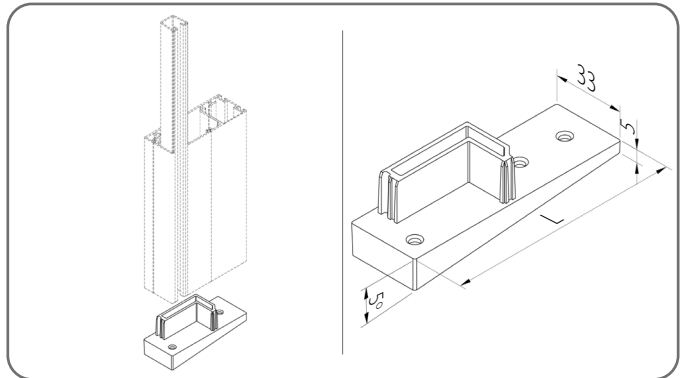
C 80 / 7. UNDER PLASTER BLINDS BOX/COMPACT

PVC side lock.

For guide channels type BX/T1



For guide channels type BX/T2



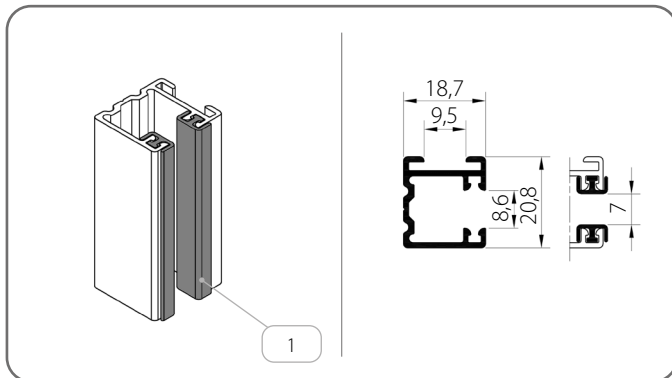
	Catalogue code	L [mm]
1.	ZAPPF/x	85
2.	ZAPPF/T1/104/x	105

	Catalogue code	L [mm]	Guide channel
1.	ZPBX/T2/x	86	PBX/T2/85
		106	PBX/T2/105

x	Colour	x	Colour	x	Colour	x	Colour
01	silver	20B	black	31B	light grey	74B	copper bronze
03B	grey	21	black grey	34	quartz grey	75B	metallic grey
09	brown	22B	ultra white	37B	grey aluminium		
16B	ivory	23B	anthracite grey	73B	mouse grey		

7.9.2. Guide channels - Group II

PP SZF/2/x



	Name of the component	Colour
1.	Damping seal	20 - black

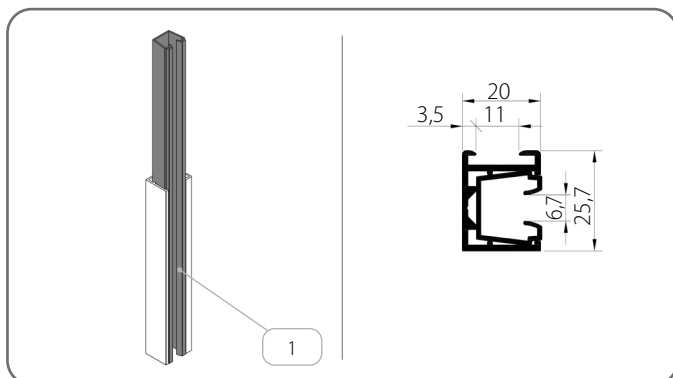
x	Colour	x	Colour	x	Colour	x	Colour
00	mill finish	21	black grey	34	quartz grey	80B	graphite grey
01	silver	22B	ultra white	37B	grey aluminium	82	alpine white
03B	grey	23B	anthracite grey	45	beige satin	IK	different colour
09	brown	29	light beige	73B	mouse grey		
16B	ivory	31B	light grey	74B	copper bronze		
20B	black	33	basalt grey	75B	metallic grey		

**CATALOGUE - TECHNICAL GUIDE FOR EXTERNAL
VENETIAN BLINDS (FACADE) SZF SkyFlow SYSTEM**

C 80 / 7. UNDER PLASTER BLINDS BOX/COMPACT

7.9.3. Guide channels - Group III

PP SZF/WUF_S/2/x

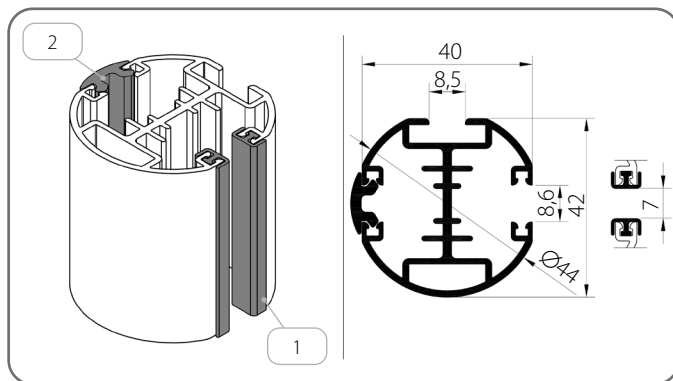


	Name of the component	Colour
1.	Guide channels insert	03 - grey 20 - black

x	Colour	x	Colour	x	Colour	x	Colour
00	mill finish	21	black grey	34	quartz grey	80B	graphite grey
01	silver	22B	ultra white	37B	grey aluminium	82	alpine white
03B	grey	23B	anthracite grey	45	beige satin	IK	different colour
09	brown	29	light beige	73B	mouse grey		
16B	ivory	31B	light grey	74B	copper bronze		
20B	black	33	basalt grey	75B	metallic grey		

7.9.4. Guide channels - Group IV

PPDO SZF/1/x



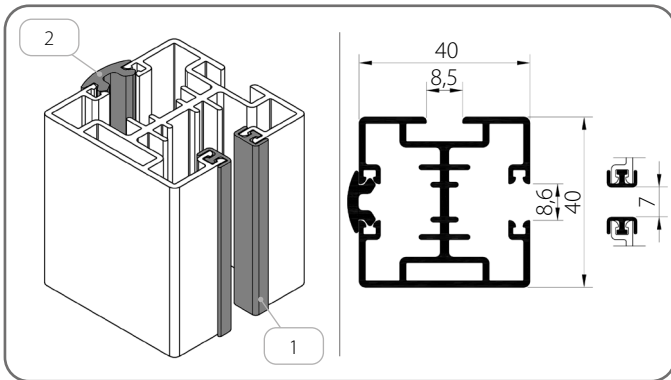
	Name of the component	Colour
1.	Damping seal	20 - black
2.	Masking seal	03 - grey 20 - black

x	Colour	x	Colour	x	Colour	x	Colour
00	mill finish	21	black grey	34	quartz grey	80B	graphite grey
01	silver	22B	ultra white	37B	grey aluminium	82	alpine white
03B	grey	23B	anthracite grey	45	beige satin	IK	different colour
09	brown	29	light beige	73B	mouse grey		
16B	ivory	31B	light grey	74B	copper bronze		
20B	black	33	basalt grey	75B	metallic grey		

**CATALOGUE - TECHNICAL GUIDE FOR EXTERNAL
VENETIAN BLINDS (FACADE) SZF SKYFLOW SYSTEM**

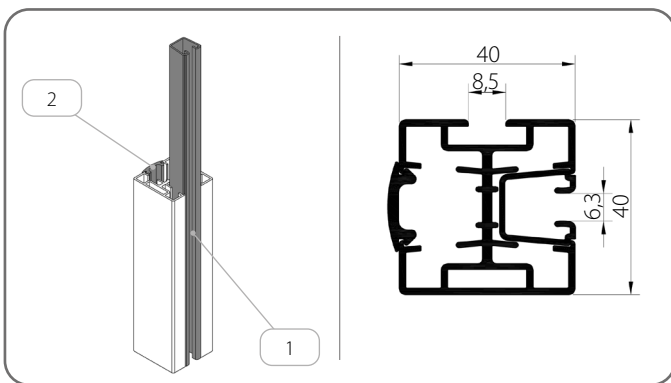
C 80 / 7. UNDER PLASTER BLINDS BOX/COMPACT

PPD SZF/2/x



	Name of the component	Colour
1.	Damping seal	20 - black
2.	Masking seal	03 - grey 20 - black

PPD SZF/WUF/2/x



	Name of the component	Colour
1.	Guide channels insert	20 - black
2.	Masking seal	03 - grey 20 - black

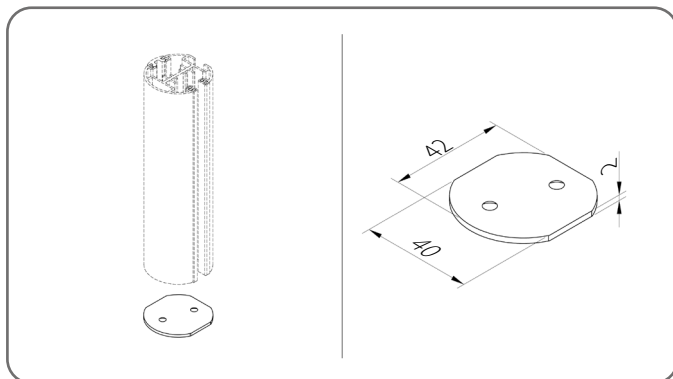
x	Colour	x	Colour	x	Colour	x	Colour
00	mill finish	21	black grey	34	quartz grey	80B	graphite grey
01	silver	22B	ultra white	37B	grey aluminium	82	alpine white
03B	grey	23B	anthracite grey	45	beige satin	IK	different colour
09	brown	29	light beige	73B	mouse grey		
16B	ivory	31B	light grey	74B	copper bronze		
20B	black	33	basalt grey	75B	metallic grey		

**CATALOGUE - TECHNICAL GUIDE FOR EXTERNAL
VENETIAN BLINDS (FACADE) SZF SkyFLOW SYSTEM**

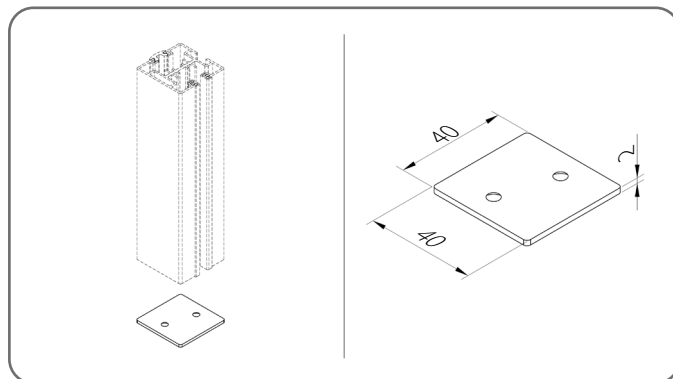
C 80 / 7. UNDER PLASTER BLINDS BOX/COMPACT

7.9.4.1. Guide channel side lock

ZPPDO SZF/1



ZPPD SZF/2

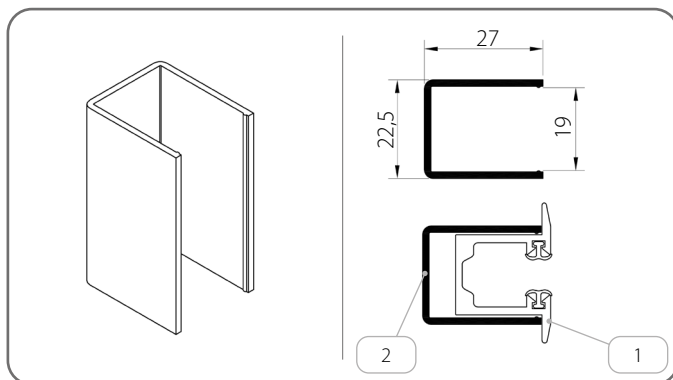


x	Colour	x	Colour	x	Colour	x	Colour
00	mill finish	21	black grey	34	quartz grey	80B	graphite grey
01	silver	22B	ultra white	37B	grey aluminium	82	alpine white
03B	grey	23B	anthracite grey	45	beige satin	IK	different colour
09	brown	29	light beige	73B	mouse grey		
16B	ivory	31B	light grey	74B	copper bronze		
20B	black	33	basalt grey	75B	metallic grey		

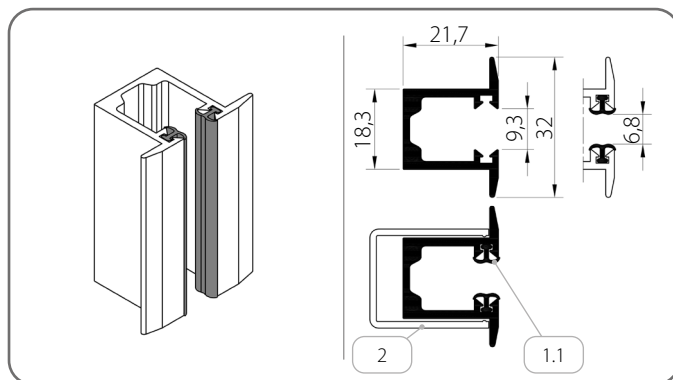
Aluminium side lock.

7.9.5. Guide channels - Group V

K/PU/P/T1 SZF



PU/P/T1 SZF/x

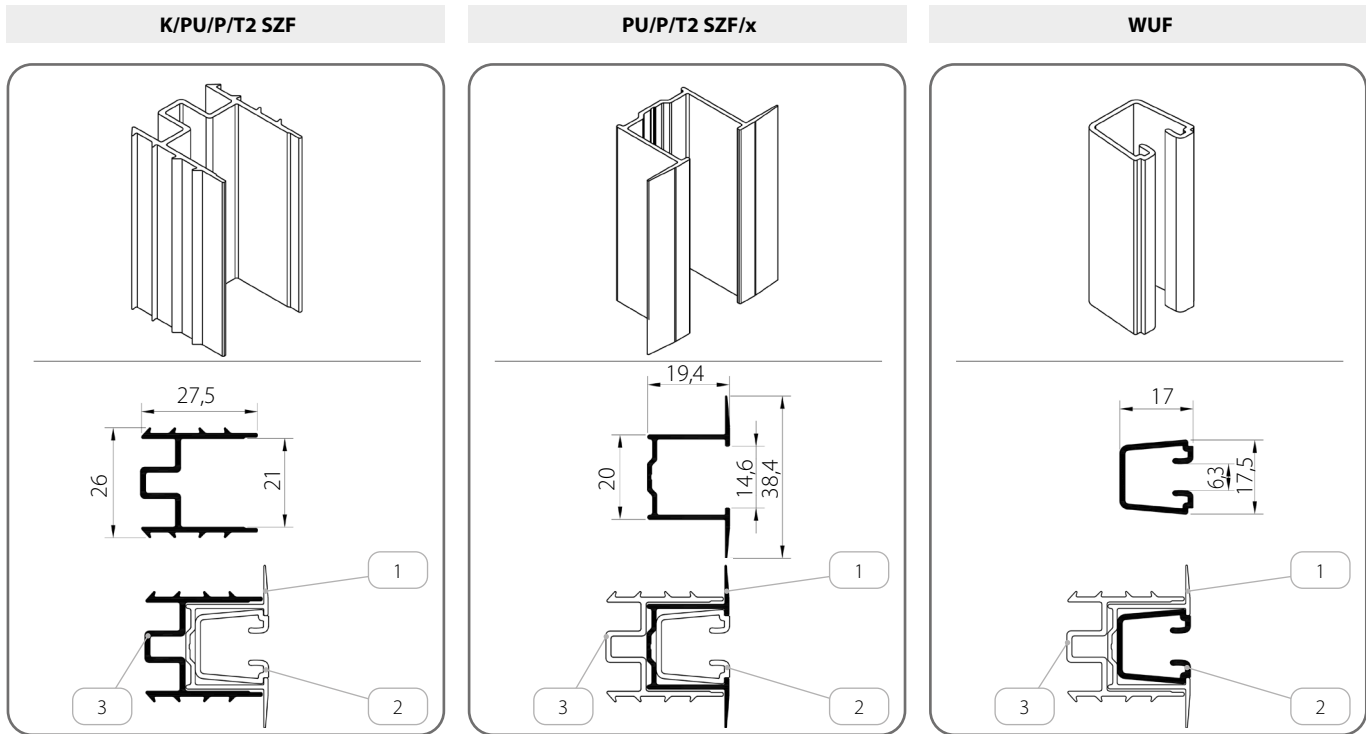


	Name of the component	Colour	Catalogue code
1.	Under plaster simple guide channel	x	PU/P/T1 SZF/x
1.1.	Damping seal	20 - black	-
2.	Under plaster simple guide channel pocket	-	K/PU/P/T1 SZF

x	Colour	x	Colour	x	Colour	x	Colour
00	mill finish	21	black grey	34	quartz grey	80B	graphite grey
01	silver	22B	ultra white	37B	grey aluminium	82	alpine white
03B	grey	23B	anthracite grey	45	beige satin	IK	different colour
09	brown	29	light beige	73B	mouse grey		
16B	ivory	31B	light grey	74B	copper bronze		
20B	black	33	basalt grey	75B	metallic grey		

**CATALOGUE - TECHNICAL GUIDE FOR EXTERNAL
VENETIAN BLINDS (FACADE) SZF SKYFLOW SYSTEM**

C 80 / 7. UNDER PLASTER BLINDS BOX/COMPACT

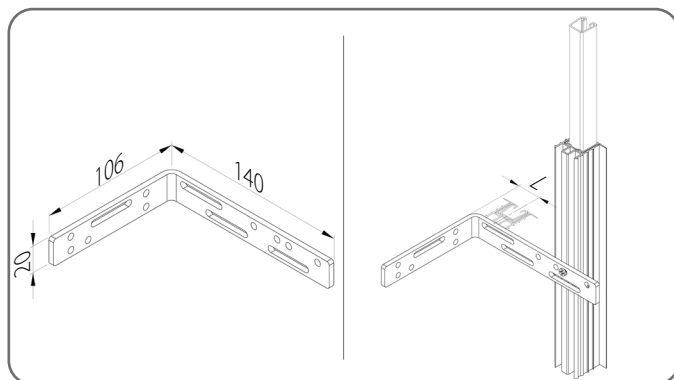


	Name of the component	Colour	Catalogue code
1.	Under plaster simple guide channel	x	PU/P/T2 SZF/x
2.	Guide channels insert	20 - black	WUF
3.	Under plaster simple guide channel pocket	-	K/PU/P/T2 SZF

x	Colour	x	Colour	x	Colour	x	Colour
00	mill finish	21	black grey	34	quartz grey	80B	graphite grey
01	silver	22B	ultra white	37B	grey aluminium	82	alpine white
03B	grey	23B	anthracite grey	45	beige satin	IK	different colour
09	brown	29	light beige	73B	mouse grey		
16B	ivory	31B	light grey	74B	copper bronze		
20B	black	33	basalt grey	75B	metallic grey		

7.9.5.1. Mounting angle

KMK/140x100



	Catalogue code	L [mm]
1.	KMK/140x100	15 - 130

	Blinds height [mm]	Number of angles [for 1 pcs guide channel]
1.	600 - 1600	2
2.	1601 - 2600	3
3.	2601 - 3600	4
4.	3601 - 4400	5

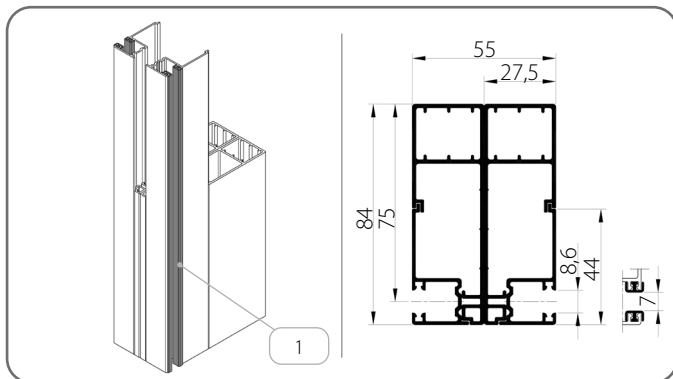
**CATALOGUE - TECHNICAL GUIDE FOR EXTERNAL
VENETIAN BLINDS (FACADE) SZF SkyFLOW SYSTEM**

C 80 / 7. UNDER PLASTER BLINDS BOX/COMPACT

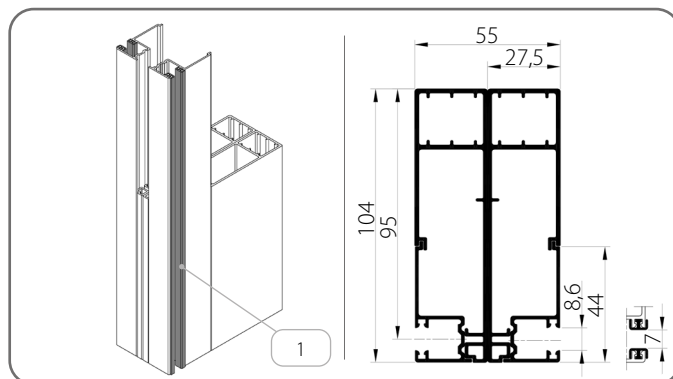
7.10. Division guide channels

7.10.1. Guide channels - I Group

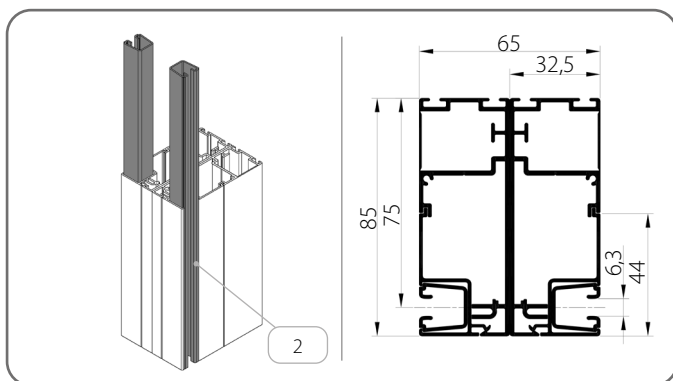
PBX/T1/84/x + PBX/T1/84/x



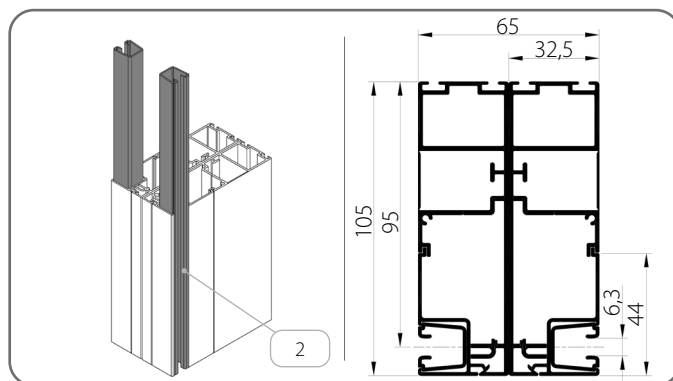
PBX/T1/104/x + PBX/T1/104/x



PBX/T2/85/x + PBX/T2/85/x



PBX/T2/105/x + PBX/T2/105/x

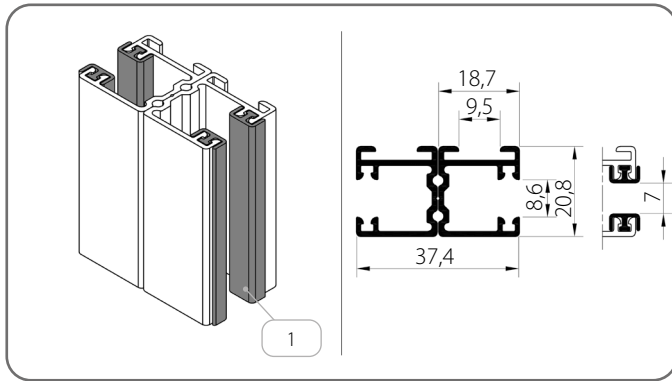


	Name of the component	Colour
1.	Damping seal	20 - black
2.	Guide channels insert	20 - black

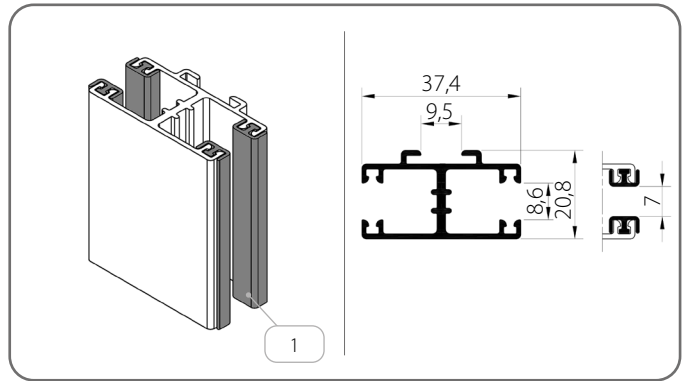
x	Colour	x	Colour	x	Colour	x	Colour
00	mill finish	21	black grey	34	quartz grey	80B	graphite grey
01	silver	22B	ultra white	37B	grey aluminium	82	alpine white
03B	grey	23B	anthracite grey	45	beige satin	IK	different colour
09	brown	29	light beige	73B	mouse grey		
16B	ivory	31B	light grey	74B	copper bronze		
20B	black	33	basalt grey	75B	metallic grey		

7.10.2. Guide channels - Group II

PP SZF/2/x + PP SZF/2/x



PPD SZF/1/x

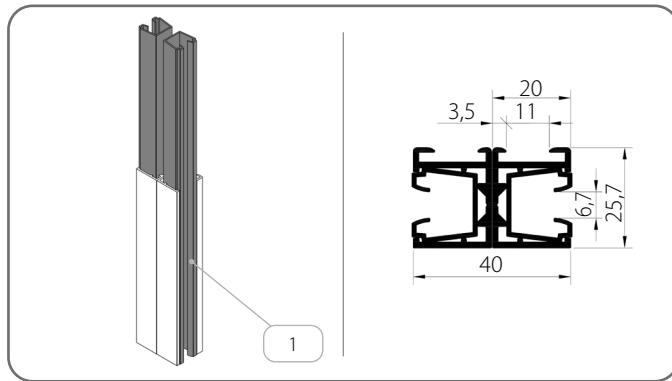


Name of the component		Colour
1.	Damping seal	20 - black

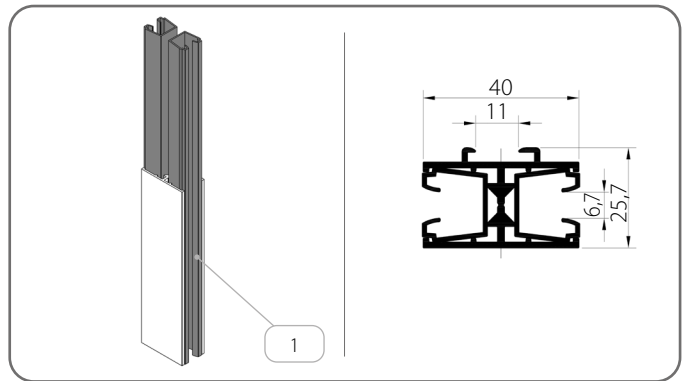
x	Colour	x	Colour	x	Colour	x	Colour
00	mill finish	21	black grey	34	quartz grey	80B	graphite grey
01	silver	22B	ultra white	37B	grey aluminium	82	alpine white
03B	grey	23B	anthracite grey	45	beige satin	IK	different colour
09	brown	29	light beige	73B	mouse grey		
16B	ivory	31B	light grey	74B	copper bronze		
20B	black	33	basalt grey	75B	metallic grey		

7.10.3. Guide channels - Group III

PP SZF/WUF_S/2/x + PP SZF/WUF_S/2/x



PPD SZF/WUF_S/1/x



Name of the component		Colour
1.	Guide channels insert	03 - grey 20 - black

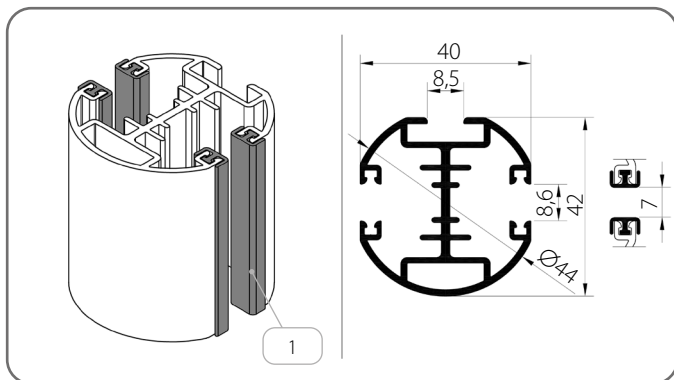
x	Colour	x	Colour	x	Colour	x	Colour
00	mill finish	21	black grey	34	quartz grey	80B	graphite grey
01	silver	22B	ultra white	37B	grey aluminium	82	alpine white
03B	grey	23B	anthracite grey	45	beige satin	IK	different colour
09	brown	29	light beige	73B	mouse grey		
16B	ivory	31B	light grey	74B	copper bronze		
20B	black	33	basalt grey	75B	metallic grey		

**CATALOGUE - TECHNICAL GUIDE FOR EXTERNAL
VENETIAN BLINDS (FACADE) SZF SkyFLOW SYSTEM**

C 80 / 7. UNDER PLASTER BLINDS BOX/COMPACT

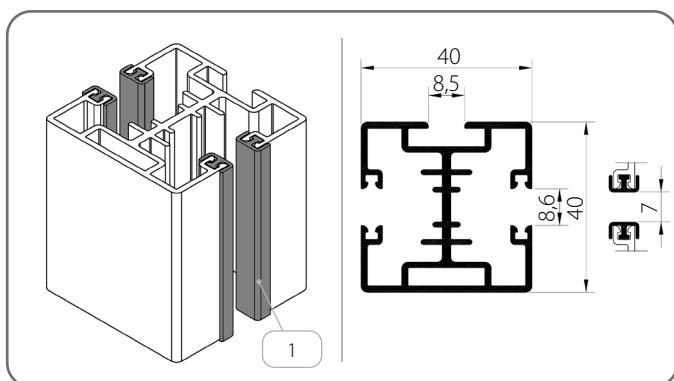
7.10.4. Guide channels - Group IV

PPDO-P SZF/1/x



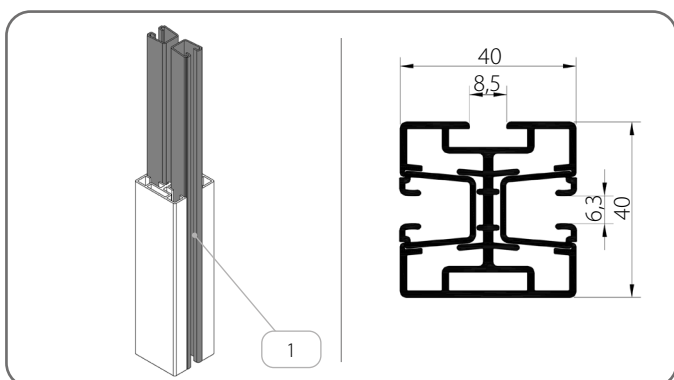
	Name of the component	Colour
1.	Guide channels insert	20 - black

PPD-P SZF/2/x



	Name of the component	Colour
1.	Guide channels insert	20 - black

PPD-P SZF/WUF/2/x

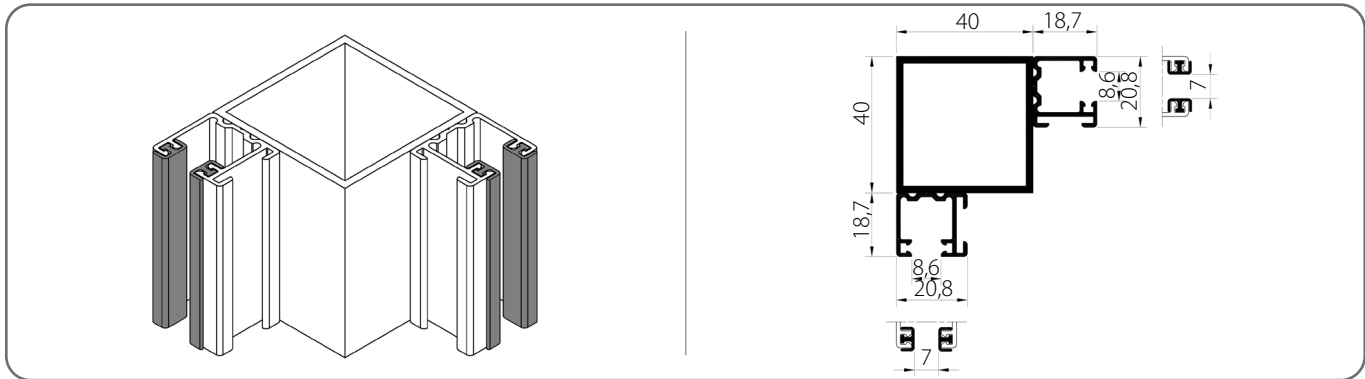


	Name of the component	Colour
1.	Guide channels insert	20 - black

x	Colour	x	Colour	x	Colour	x	Colour
00	mill finish	21	black grey	34	quartz grey	80B	graphite grey
01	silver	22B	ultra white	37B	grey aluminium	82	alpine white
03B	grey	23B	anthracite grey	45	beige satin	IK	different colour
09	brown	29	light beige	73B	mouse grey		
16B	ivory	31B	light grey	74B	copper bronze		
20B	black	33	basalt grey	75B	metallic grey		

7.10.5. Corner guide channels

RP/40x40x2/x + PP SZF/2/x

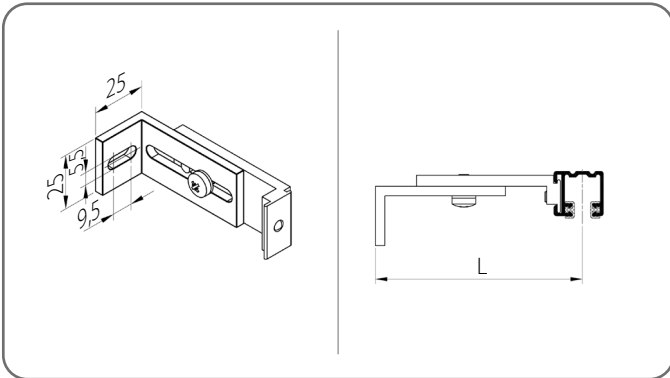


x	Colour	x	Colour	x	Colour	x	Colour
00	mill finish	21	black grey	34	quartz grey	80B	graphite grey
01	silver	22B	ultra white	37B	grey aluminium	82	alpine white
03B	grey	23B	anthracite grey	45	beige satin	IK	different colour
09	brown	29	light beige	73B	mouse grey		
16B	ivory	31B	light grey	74B	copper bronze		
20B	black	33	basalt grey	75B	metallic grey		

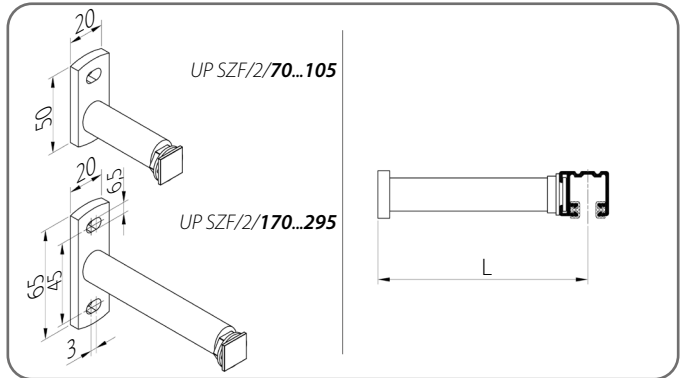
7.11. Guide channel handles

7.11.1. Guide channels - Group II

UP SZF/1



UP SZF/2



	Catalogue code	L [mm]
1.	UP SZF/1/70/x	50 - 70
2.	UP SZF/1/100/x	71 - 100
3.	UP SZF/1/145/x	101 - 145

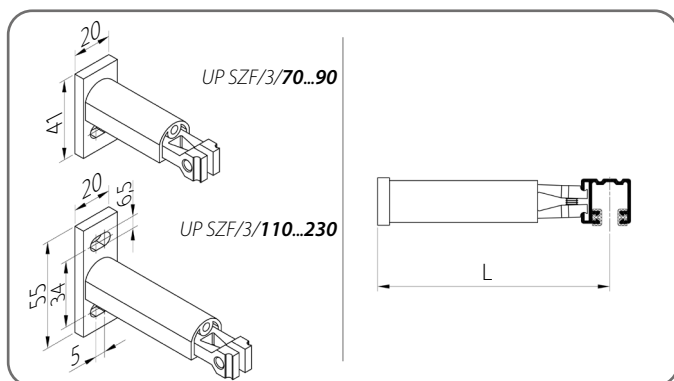
	Catalogue code	L [mm]
1.	UP SZF/2/70/x	50 - 70
2.	UP SZF/2/105/x	71 - 105
3.	UP SZF/2/170/x	106 - 170
4.	UP SZF/2/295/x	171 - 295

x	Colour	x	Colour	x	Colour	x	Colour
00	mill finish	21	black grey	34	quartz grey	80B	graphite grey
01	silver	22B	ultra white	37B	grey aluminium	82	alpine white
03B	grey	23B	anthracite grey	45	beige satin	IK	different colour
09	brown	29	light beige	73B	mouse grey		
16B	ivory	31B	light grey	74B	copper bronze		
20B	black	33	basalt grey	75B	metallic grey		

**CATALOGUE - TECHNICAL GUIDE FOR EXTERNAL
VENETIAN BLINDS (FACADE) SZF SkyFLOW SYSTEM**

C 80 / 7. UNDER PLASTER BLINDS BOX/COMPACT

UP SZF/3

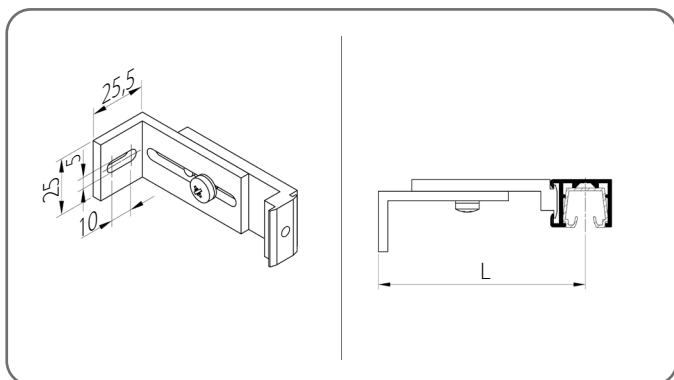


	Catalogue code	L [mm]
1.	UP SZF/3/70/x	60 - 70
2.	UP SZF/3/90/x	71 - 90
3.	UP SZF/3/110/x	91 - 110
4.	UP SZF/3/130/x	111 - 130
5.	UP SZF/3/150/x	131 - 150
6.	UP SZF/3/170/x	151 - 170
7.	UP SZF/3/190/x	171 - 190
8.	UP SZF/3/210/x	191 - 210
9.	UP SZF/3/230/x	211 - 230

x	Colour	x	Colour	x	Colour	x	Colour
00	mill finish	21	black grey	34	quartz grey	80B	graphite grey
01	silver	22B	ultra white	37B	grey aluminium	82	alpine white
03B	grey	23B	anthracite grey	45	beige satin	IK	different colour
09	brown	29	light beige	73B	mouse grey		
16B	ivory	31B	light grey	74B	copper bronze		
20B	black	33	basalt grey	75B	metallic grey		

7.11.2. Guide channels - Group III

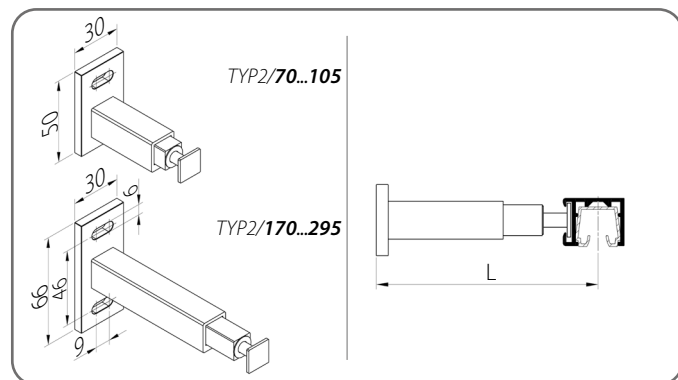
TYP 1



	Catalogue code	L [mm]
1.	TYP1/75/x	55 - 75
2.	TYP1/105/x	76 - 105
3.	TYP1/160/x	106 - 160

x	Colour	x	Colour
00	mill finish	21	black grey
01	silver	22B	ultra white
03B	grey	23B	anthracite grey
09	brown	29	light beige
16B	ivory	31B	light grey
20B	black	33	basalt grey

TYP 2

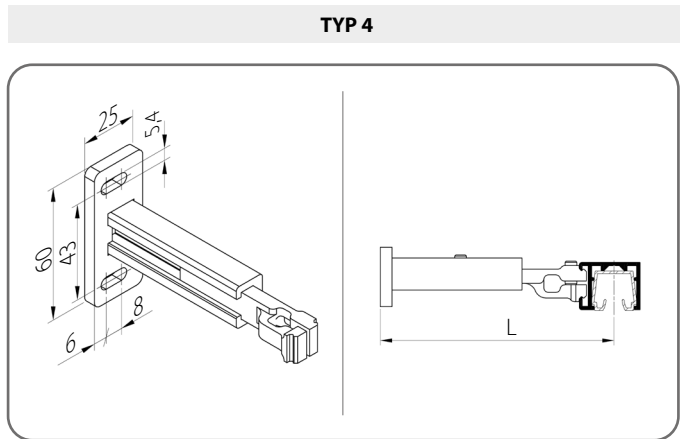
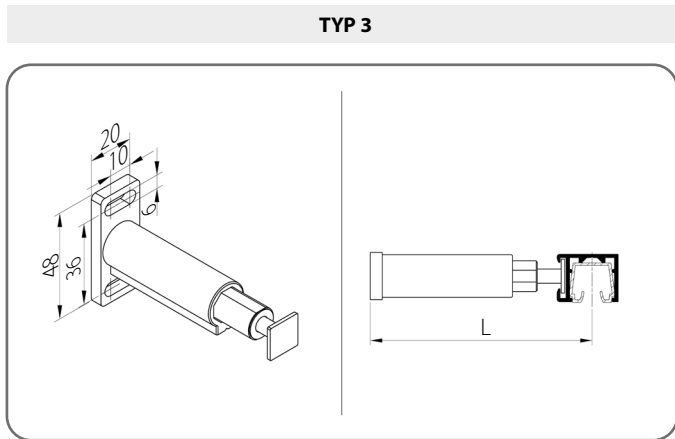


	Catalogue code	L [mm]
1.	TYP2/70/x	50 - 70
2.	TYP2/105/x	71 - 105
3.	TYP2/170/x	106 - 170
4.	TYP2/295/x	171 - 295

x	Colour	x	Colour
34	quartz grey	80B	graphite grey
37B	grey aluminium	82	alpine white
45	beige satin	IK	different colour
73B	mouse grey		
74B	copper bronze		
75B	metallic grey		

**CATALOGUE - TECHNICAL GUIDE FOR EXTERNAL
VENETIAN BLINDS (FACADE) SZF SKYFLOW SYSTEM**

C 80 / 7. UNDER PLASTER BLINDS BOX/COMPACT



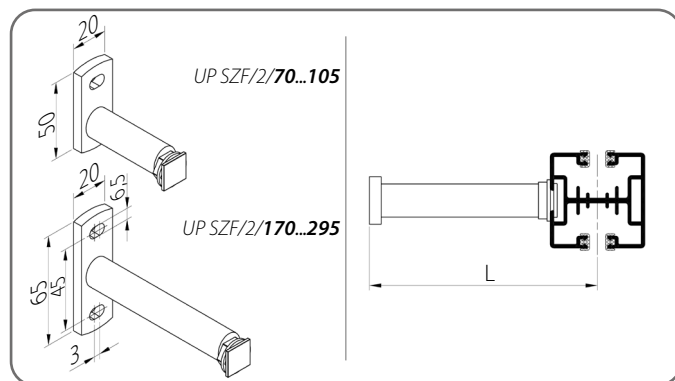
	Catalogue code	L [mm]
1.	TYP3/75/x	50 - 75
2.	TYP3/1/120/x	76 - 120

	Catalogue code	L [mm]
1.	TYP4/80/x	60 - 80
2.	TYP4/115/x	81 - 115
3.	TYP4/170/x	116 - 170

x	Colour	x	Colour	x	Colour	x	Colour
00	mill finish	21	black grey	34	quartz grey	80B	graphite grey
01	silver	22B	ultra white	37B	grey aluminium	82	alpine white
03B	grey	23B	anthracite grey	45	beige satin	IK	different colour
09	brown	29	light beige	73B	mouse grey		
16B	ivory	31B	light grey	74B	copper bronze		
20B	black	33	basalt grey	75B	metallic grey		

7.11.3. Guide channels - Group IV

UP SZF/2



	Catalogue code	L [mm]
1.	UP SZF/2/70/x	58 - 78*
2.	UP SZF/2/105/x	79 - 113*
3.	UP SZF/2/170/x	114 - 178*
4.	UP SZF/2/295/x	179 - 303*

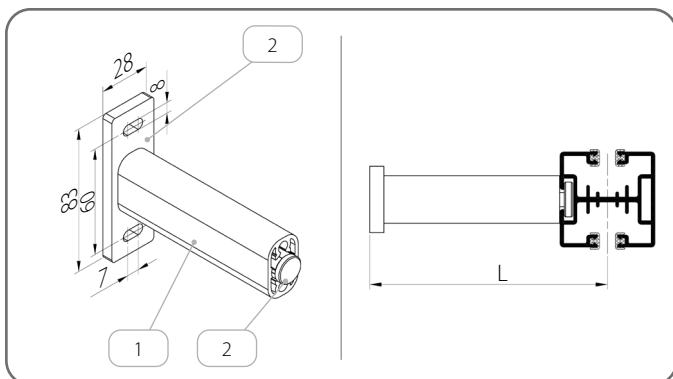
* Values changed due to the use of **PPD-P SZF/2** or **PPDO-P SZF/1** guide channels.

x	Colour	x	Colour	x	Colour	x	Colour
00	mill finish	21	black grey	34	quartz grey	80B	graphite grey
01	silver	22B	ultra white	37B	grey aluminium	82	alpine white
03B	grey	23B	anthracite grey	45	beige satin	IK	different colour
09	brown	29	light beige	73B	mouse grey		
16B	ivory	31B	light grey	74B	copper bronze		
20B	black	33	basalt grey	75B	metallic grey		

**CATALOGUE - TECHNICAL GUIDE FOR EXTERNAL
VENETIAN BLINDS (FACADE) SZF SkyFLOW SYSTEM**

C 80 / 7. UNDER PLASTER BLINDS BOX/COMPACT

UP SZF/4/x



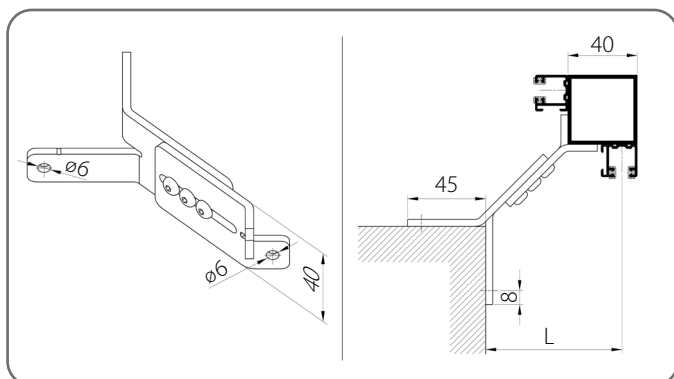
	Catalogue code	L [mm]
1.	UP SZF/4	75 - 200

	Name of the component	Catalogue code
1.	Telescopic handle profile	PUT SZF/x
2.	Telescopic handle set	ZUP SZF/4/x

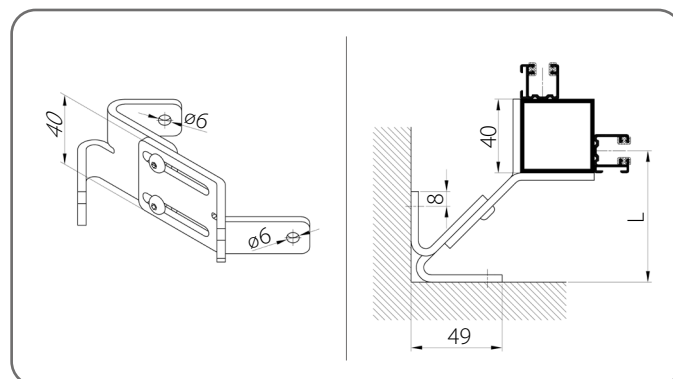
x	Colour	x	Colour	x	Colour	x	Colour
00	mill finish	21	black grey	34	quartz grey	80B	graphite grey
01	silver	22B	ultra white	37B	grey aluminium	82	alpine white
03B	grey	23B	anthracite grey	45	beige satin	IK	different colour
09	brown	29	light beige	73B	mouse grey		
16B	ivory	31B	light grey	74B	copper bronze		
20B	black	33	basalt grey	75B	metallic grey		

7.11.4. Corner handle

UP SZF/N/1



UP SZF/N/2



	Catalogue code	L [mm]
1.	UP SZF/N/1/80/x	75 - 85
2.	UP SZF/N/1/100/x	86 - 105
3.	UP SZF/N/1/140/x	106 - 145

	Catalogue code	L [mm]
1.	UP SZF/N/2/80/x	50 - 60
2.	UP SZF/N/2/100/x	61 - 80
3.	UP SZF/N/2/140/x	81 - 120

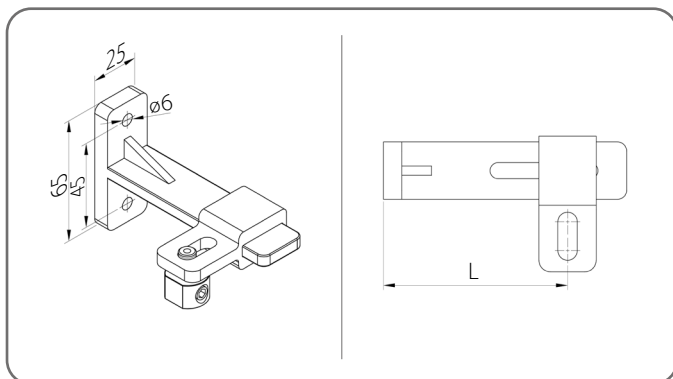
x	Colour
AND	anodised

 Corner solution available only with **PP SZF/2** guides.

7.12. Wire handles

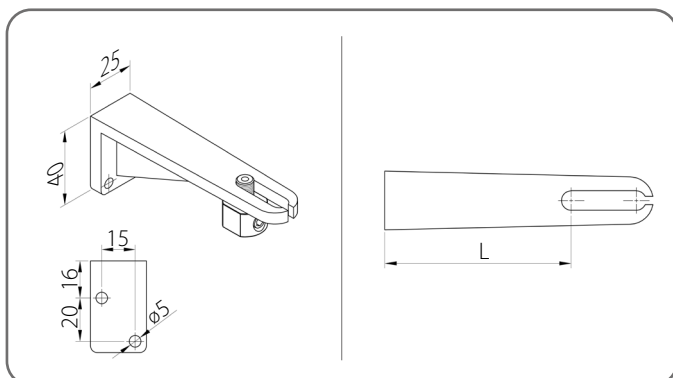
 All grips come with a tensioner.

UDL/1



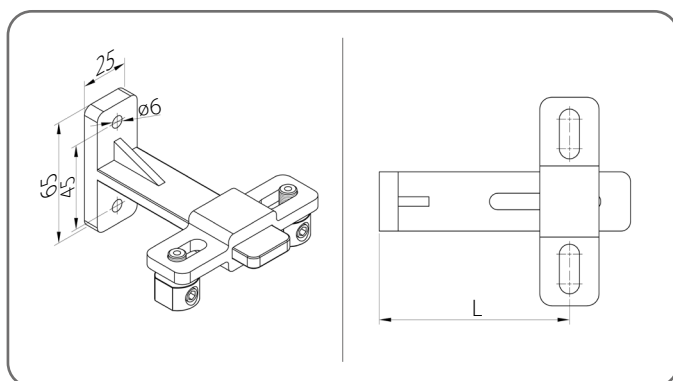
	Catalogue code	L [mm]
1.	UDL/1/90/x	50 - 90
2.	UDL/1/128/x	88 - 128
3.	UDL/1/165/x	125 - 165
4.	UDL/1/200/x	160 - 200

UDL/2



	Catalogue code	L [mm]
1.	UDL/2/50/x	29 - 50
2.	UDL/2/76/x	55 - 76
3.	UDL/2/104/x	83 - 104
4.	UDL/2/132/x	111 - 132
5.	UDL/2/160/x	139 - 160

UDL/4



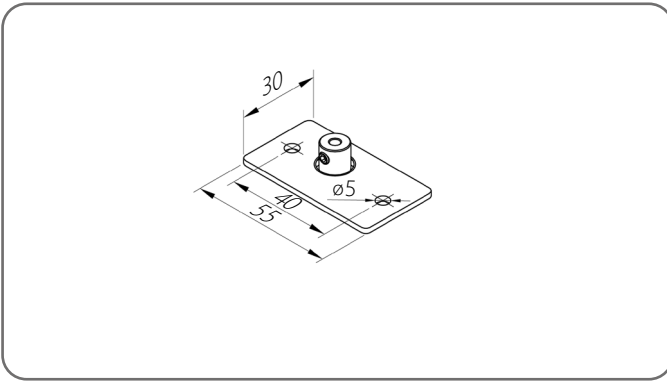
	Catalogue code	L [mm]
1.	UDL/4/90/x	50 - 90
2.	UDL/4/128/x	88 - 128
3.	UDL/4/165/x	125 - 165
4.	UDL/4/200/x	160 - 200

x	Colour	x	Colour	x	Colour	x	Colour
00	mill finish	21	black grey	34	quartz grey	80B	graphite grey
01	silver	22B	ultra white	37B	grey aluminium	82	alpine white
03B	grey	23B	anthracite grey	45	beige satin	IK	different colour
09	brown	29	light beige	73B	mouse grey		
16B	ivory	31B	light grey	74B	copper bronze		
20B	black	33	basalt grey	75B	metallic grey		

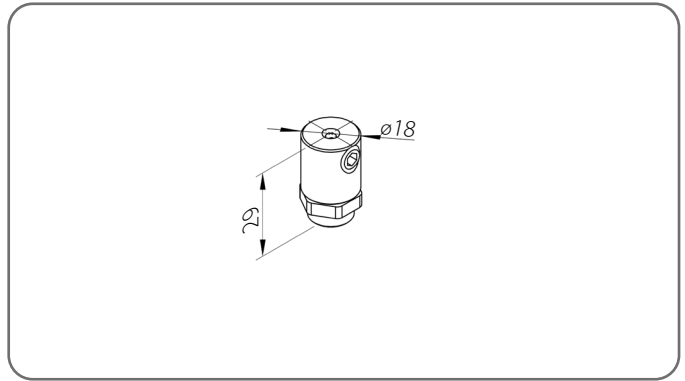
**CATALOGUE - TECHNICAL GUIDE FOR EXTERNAL
VENETIAN BLINDS (FACADE) SZF SkyFLOW SYSTEM**

C 80 / 7. UNDER PLASTER BLINDS BOX/COMPACT

UDL/3/x




UDL/5

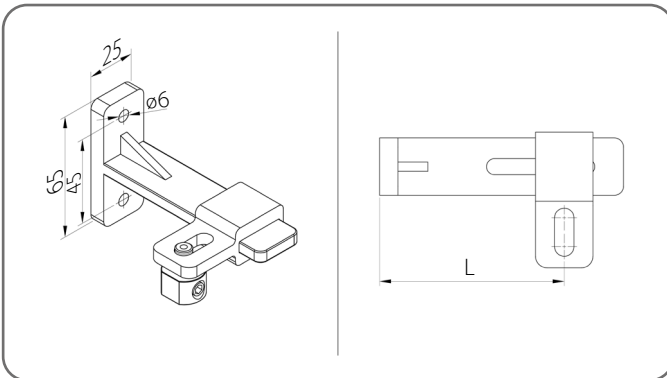


x Colour
AND anodised

7.12.1. Guide channel wire reinforcement

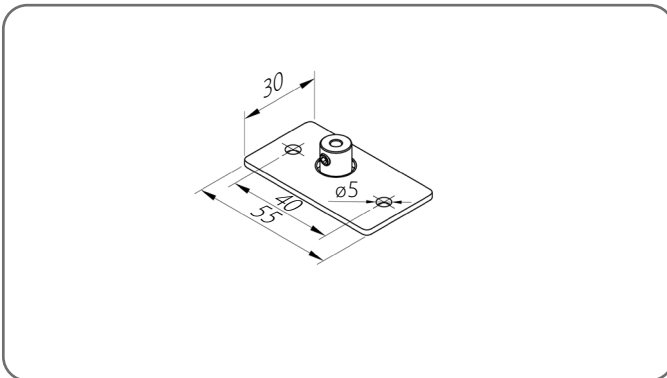
 All grips come with a tensioner.

UDL/1



	Catalogue code	L [mm]
1.	UDL/1/90/x	50 - 90
2.	UDL/1/128/x	88 - 128
3.	UDL/1/165/x	125 - 165
4.	UDL/1/200/x	160 - 200

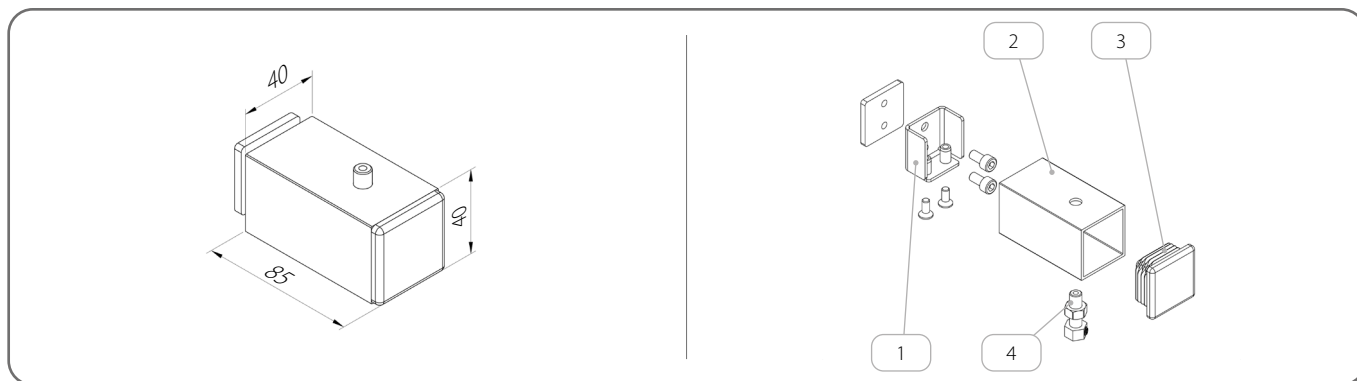
UDL/3/x



**CATALOGUE - TECHNICAL GUIDE FOR EXTERNAL
VENETIAN BLINDS (FACADE) SZF SKYFLOW SYSTEM**

C 80 / 7. UNDER PLASTER BLINDS BOX/COMPACT

WZLP/40x40x2/x



	Name of the component	Catalogue code	Colour
1.	Reinforcement fixing set	ZM/WZLP/40x40x2	
2.	Mounting profile	U/WZLP/40x40x2/x	<i>colour table x</i>
3.	Cap	Z/WZLP/40x40x2/x	02 - white 20B - black 23B - anthracite grey
4.	Cable tensioner	NLS	

x	Colour	x	Colour	x	Colour	x	Colour
00	mill finish	21	black grey	34	quartz grey	80B	graphite grey
01	silver	22B	ultra white	37B	grey aluminium	82	alpine white
03B	grey	23B	anthracite grey	45	beige satin	IK	different colour
09	brown	29	light beige	73B	mouse grey		
16B	ivory	31B	light grey	74B	copper bronze		
20B	black	33	basalt grey	75B	metallic grey		

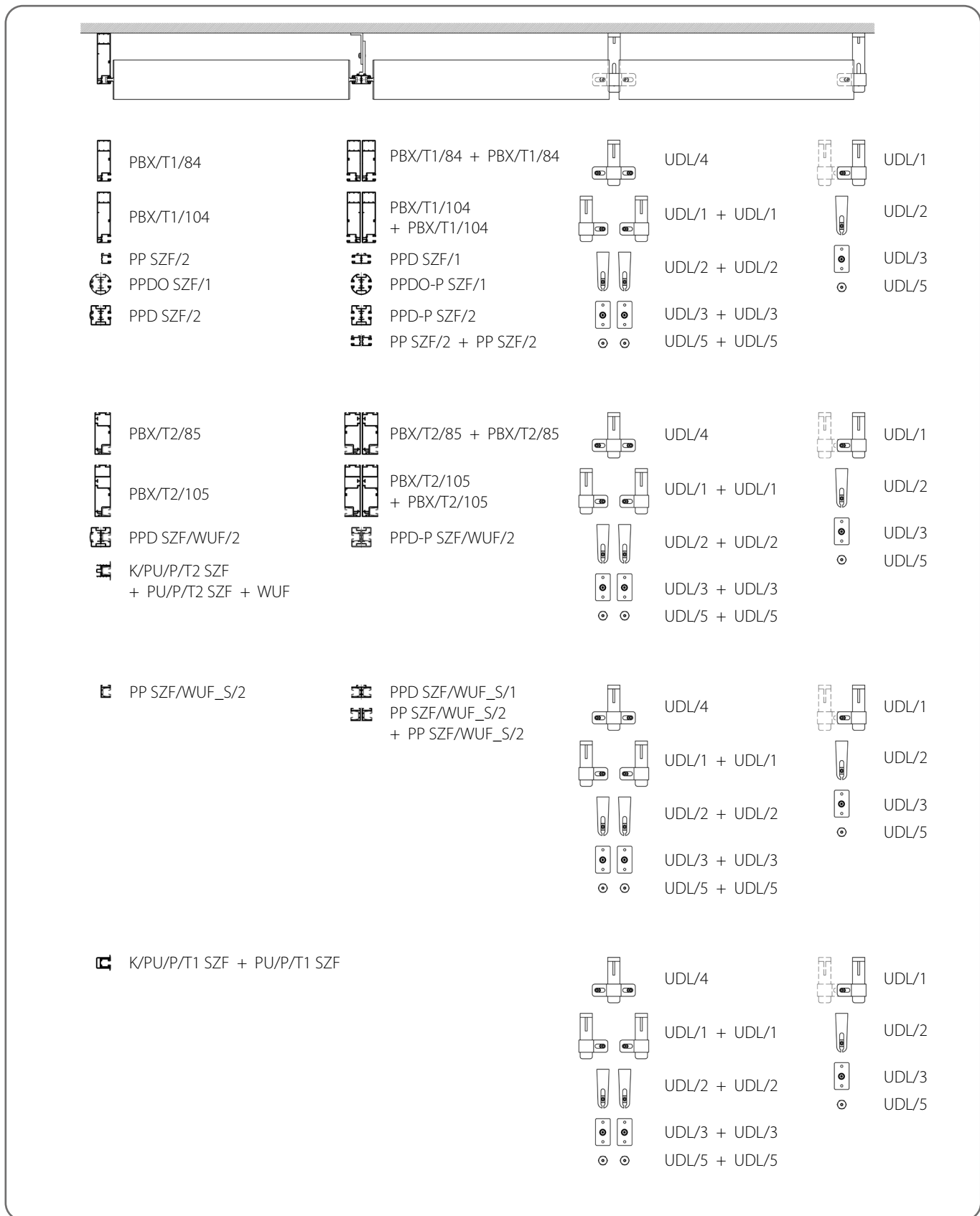
**CATALOGUE - TECHNICAL GUIDE FOR EXTERNAL
VENETIAN BLINDS (FACADE) SZF SkyFLOW SYSTEM**

C 80 / 7. UNDER PLASTER BLINDS BOX/COMPACT

7.13. Blinds joining

 A common drive for up to 3 blinds can be used.

The division of Venetian blinds



**CATALOGUE - TECHNICAL GUIDE FOR EXTERNAL
VENETIAN BLINDS (FACADE) SZF SkyFlow SYSTEM**

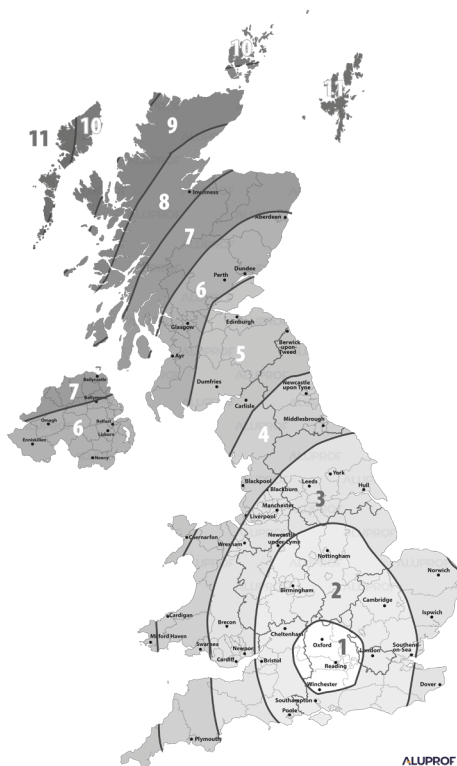
Z 90 / 1. WIND LOAD RESISTANCE CLASSIFICATION ACCORDING TO PN-EN 13659

Z 90

1. WIND LOAD RESISTANCE CLASSIFICATION ACCORDING TO PN-EN 13659

In order to ensure proper, trouble-free and safe operation of roller shutters or external Venetian blinds, the product should be installed in the required wind load resistance class. Appropriate maps and tables have been prepared in order to select suitable roller shutter profiles or slats.

Map of wind load zones



Fundamental value of the basic wind velocity (BS EN 1991-1-4:2005+A1:2010)											
Wind zone	1	2	3	4	5	6	7	8	9	10	11
$V_{b,0}$ (m/s)	21,5	22	23	24	25	26	27	28	29	30	31

Assignment of wind load resistance classes to wind load zones: United Kingdom (BS EN 13659:2015)

Criteria	Height of roller shutter installation on a building										
	to 9 m										
Land classification	Wind zone										
	1	2	3	4	5	6	7	8	9	10	11
IV	1	1	1	1	1	2	2	2	2	2	3
III	1	2	2	2	2	3	3	3	3	3	4
II	2	3	3	3	3	4	4	4	4	4	4
I	3	3	3	4	4	4	4	4	4	4	5
0	3	3	4	4	4	4	4	4	4	5	5

Criteria	Height of roller shutter installation on a building										
	from 9 to 18 m										
Land classification	Wind zone										
	1	2	3	4	5	6	7	8	9	10	11
IV	1	1	2	2	2	2	3	3	3	3	3
III	2	2	3	3	3	3	4	4	4	4	4
II	3	3	3	4	4	4	4	4	4	4	5
I	3	3	4	4	4	4	4	4	5	5	5
0	4	4	4	4	4	4	4	5	5	5	5

**CATALOGUE - TECHNICAL GUIDE FOR EXTERNAL
VENETIAN BLINDS (FACADE) SZF SkyFLOW SYSTEM**

Z 90 / 1. WIND LOAD RESISTANCE CLASSIFICATION ACCORDING TO PN-EN 13659

1.1. The maximum width of the Venetian blind and wind load resistance classification

C 80 with guide channels		Wind load resistance classification acc. To EN 13659							
		Maximum width [mm]							
		2000	2500	3000	3500	4000	4500	5000	5200
The maximum height of the blinds [mm]	≤ 2500	5	3	3	2	2	1	-	-
	≤ 4000	5	3	3	2	2	1	-	-
	≤ 5000	5	3	3	1	1	-	-	-

C 80 with guide channels and wire reinforcement		Wind load resistance classification acc. To EN 13659							
		Maximum width [mm]							
		2000	2500	3000	3500	4000	4500	5000	5200
The maximum height of the blinds [mm]	≤ 2500	5	4	4	3	3	3	3	1
	≤ 4000	5	4	4	3	3	3	3	1
	≤ 5000	5	4	4	3	3	3	3	1



Venetian blinds with a surface area exceeding 22.5 m² can be ordered only after consulting the Technical Department.

C 80 with wires		Wind load resistance classification acc. To EN 13659					
		Maximum width [mm]					
		2000	2500	3000	3500	4000	4500
The maximum height of the blinds [mm]	≤ 2500	3	2	2	1	1	-
	≤ 4000	2	1	1	-	-	-



For Venetian blinds in a combined configuration: guide channel and wire, the maximum dimensions should be specified as for blinds with wires only.

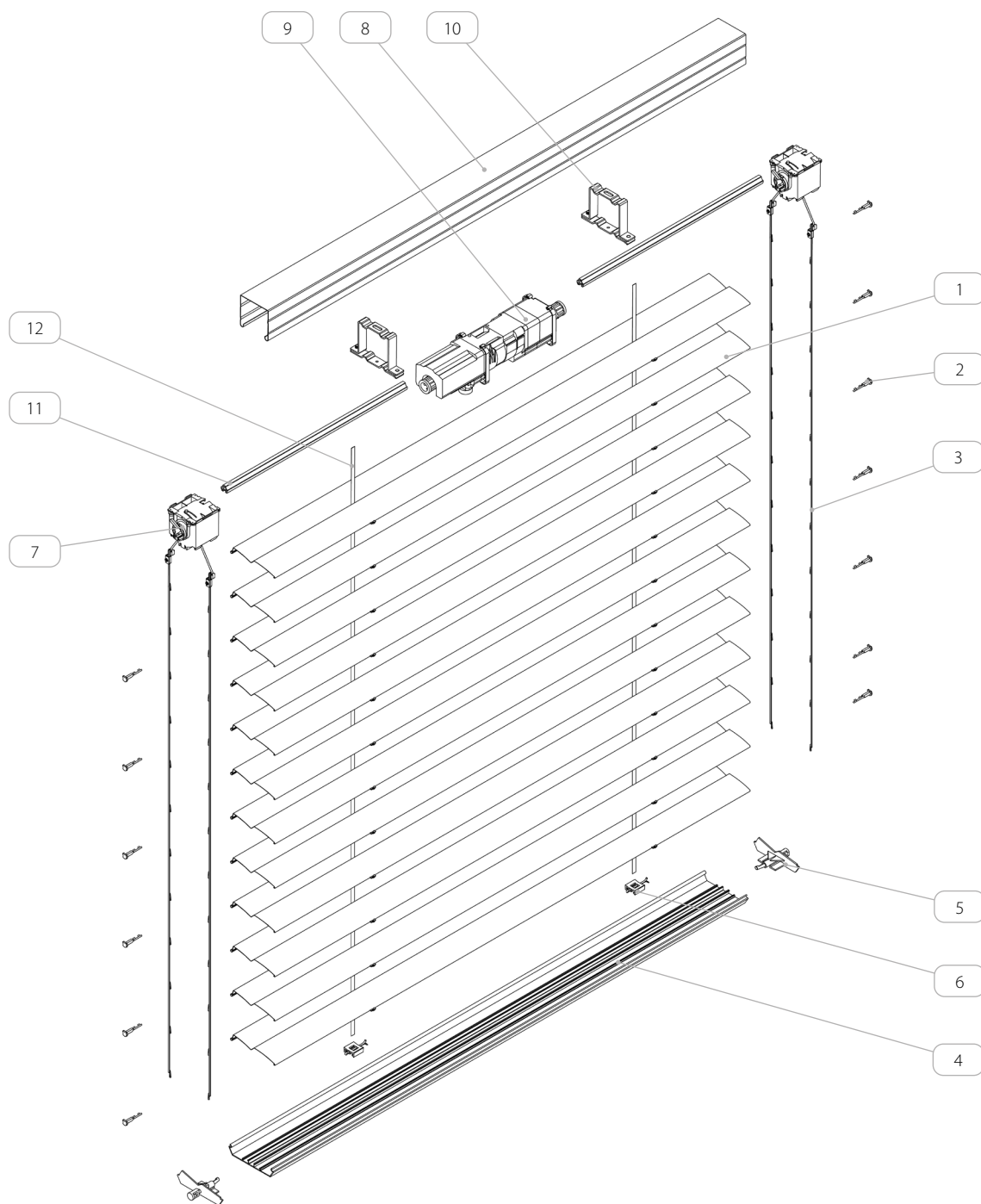
The CE label and the Declaration of Performance (DWU) delivered with the product contain information about the wind load resistance class of a given Venetian blind.



The venetian blind should be fully lifted and stored in the box (top limit position) when the wind exceeds the speed in a given wind load resistance class. It is also recommended to react personally in such situations, despite the installed wind sensor.

Wind load resistance classification acc. to EN 13659	Safe wind speed	
	[m/s]	[km/h]
1	< 8,9	< 32,2
2	< 10,6	< 38,1
3	< 12,6	< 45,5
4	< 16,5	< 59,4
5	< 20,8	< 74,8
6	< 25,3	< 91,1

2. VENETIAN BLIND PACKAGE FOR GUIDE CHANNEL



Name of the component			
1.	Profile Z 90	7.	Mechanism - 8 mm belt
2.	Pin to Z 90	8.	Steel rail - galvanised
3.	Ladder braid Z 90	9.	Drive
4.	Bottom rail	10.	Guide rail bracket
5.	Blind for end slat	11.	Shaft 14 mm
6.	Lift tape and end slat - connector	12.	Strap 8 mm

CATALOGUE - TECHNICAL GUIDE FOR EXTERNAL VENETIAN BLINDS (FACADE) SZF SkyFLOW SYSTEM

Z 90 / 2. VENETIAN BLIND PACKAGE FOR GUIDE CHANNEL

2.1. General information

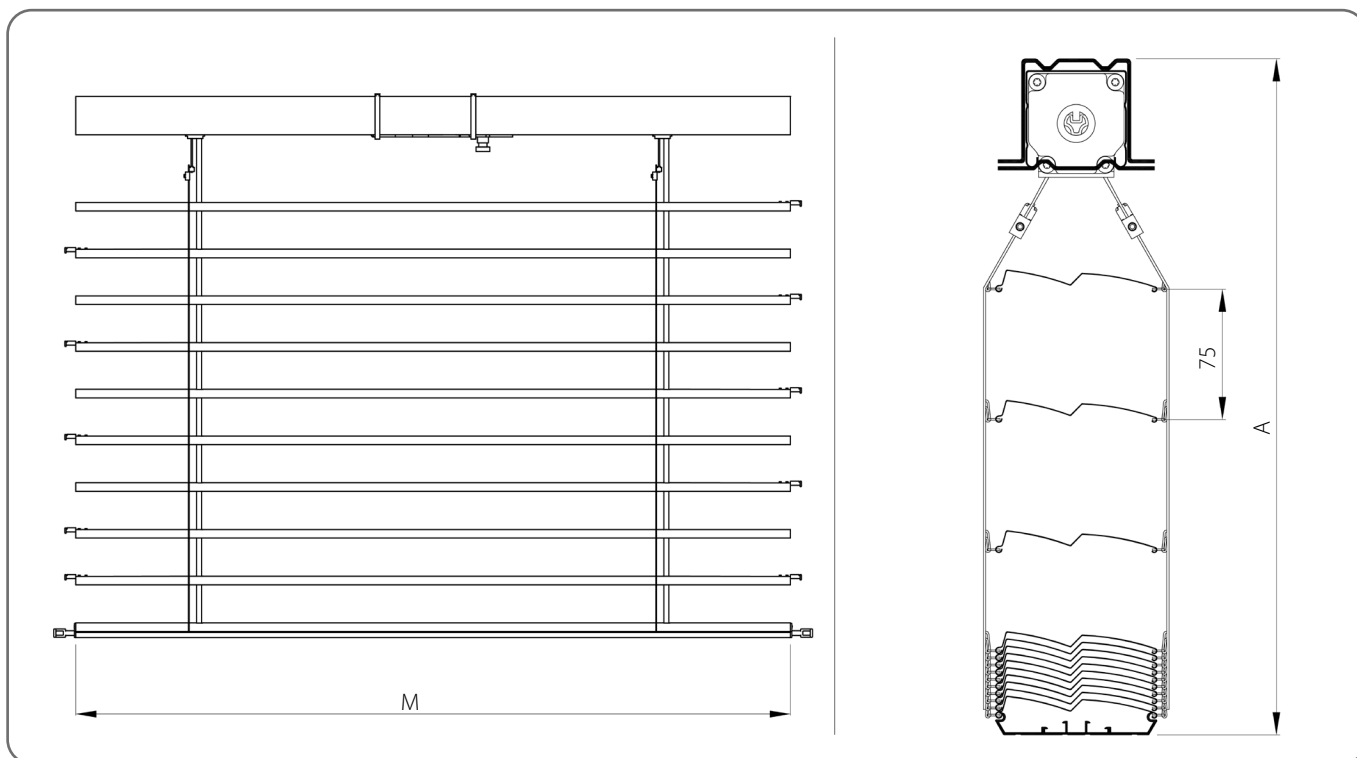


Where:

A - HEIGHT OF THE PACKAGE [mm]

M - WIDTH OF THE PACKAGE / SLAT [mm]

The measurement and installation of the venetian blind should be performed by a qualified installer.



Technical specifications

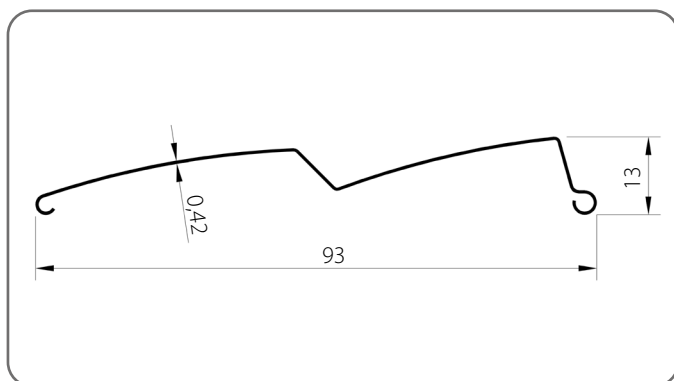
Minimum		Maximum		Maximum surface [m ²]	Electric drive	Motor with emergency opening	Manual drive	Installation
Width [mm]	Height [mm]	Width [mm]	Height [mm]					
600	600	4500	4000	18	YES	YES	YES	External

Blinds height [mm]	Slat width [mm]						
600 - 2500	1400	2400	3400	4400	4500	-	-
2501 - 3000	1300	2200	3100	4000	4500	-	-
3001 - 4500	1200	2000	2800	3600	4400	4500	4500
4501 - 5000	1100	1800	2500	3200	3900	4500	4500
Number of strap mechanisms	2	3	4	5	6	7	

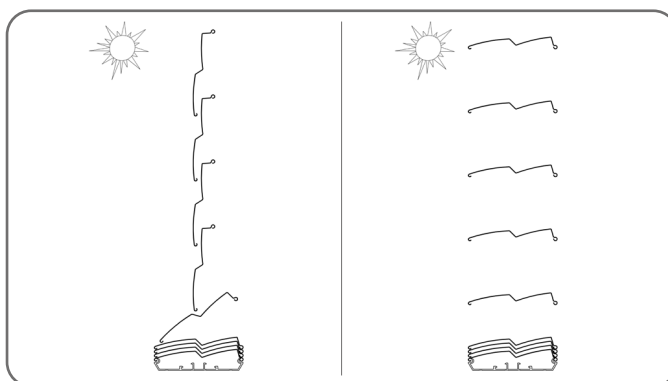
**CATALOGUE - TECHNICAL GUIDE FOR EXTERNAL
VENETIAN BLINDS (FACADE) SZF SKYFLOW SYSTEM**

Z 90 / 2. VENETIAN BLIND PACKAGE FOR GUIDE CHANNEL

Slat Z 90/x

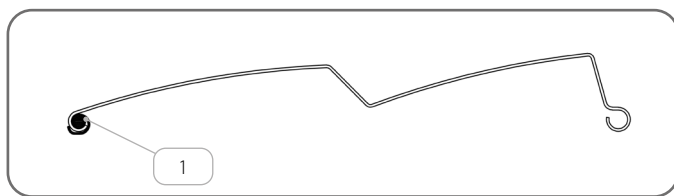


Slats rotation range - 90°



x	Colour	x	Colour	x	Colour	x	Colour
01	silver	21	black grey	33	basalt grey	74B	copper bronze
03B	grey	22B	ultra white	34	quartz grey	75B	metallic grey
09	brown	23B	anthracite grey	37B	grey aluminium	80B	graphite grey
16B	ivory	29	light beige	45	beige satin	82	alpine white
20B	black	31B	light grey	73B	mouse grey		

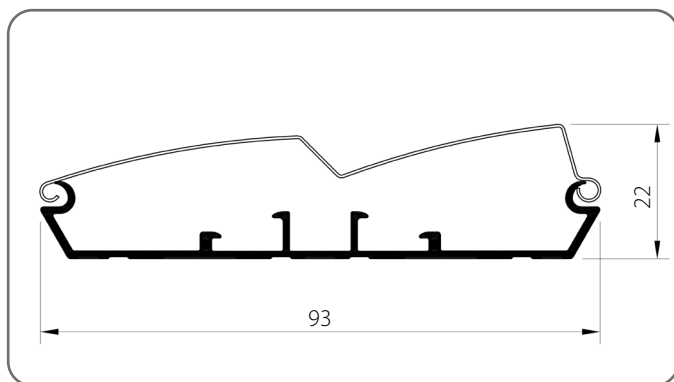
Slat soundproofing seal



	Name of the component	Catalogue code
1.	Slat soundproofing seal	UWZ90/x

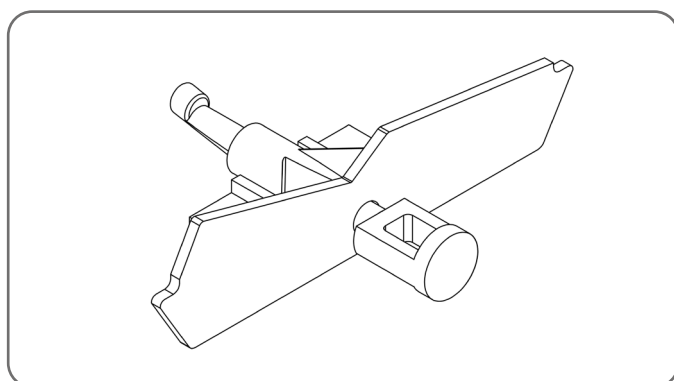
x	Colour
03	grey

Open end slat BOA/Z90/x



x	Colour	x	Colour
00	mill finish	33	basalt grey
01	silver	34	quartz grey
03B	grey	37B	grey aluminium
09	brown	45	beige satin
16B	ivory	73B	mouse grey
20B	black	74B	copper bronze
21	black grey	75B	metallic grey
22B	ultra white	80B	graphite grey
23B	anthracite grey	82	alpine white
29	light beige	IK	different colour
31B	light grey		

End slat blind Z BOA/Z90/x

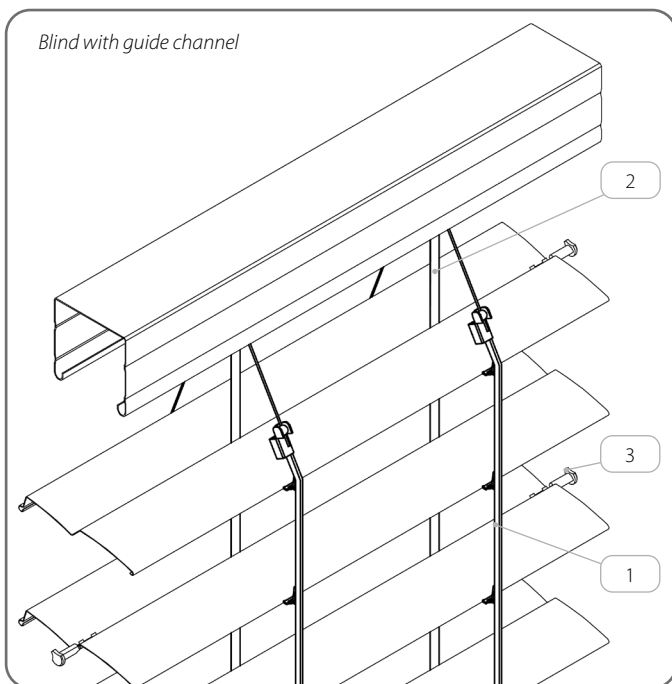


x	Colour
03	grey
20	black

**CATALOGUE - TECHNICAL GUIDE FOR EXTERNAL
VENETIAN BLINDS (FACADE) SZF SkyFLOW SYSTEM**

Z 90 / 2. VENETIAN BLIND PACKAGE FOR GUIDE CHANNEL

Additional accessories



	Name of the component	Catalogue code
1.	Ladder braid Z 90	D/Z90/x
2.	Strap 8 mm	P SZF/8/x
3.	Pin to Z 90 - steel	P/S/Z90

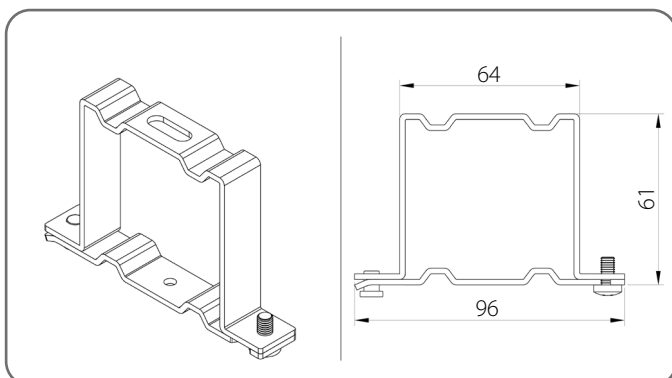
x Colour

03 grey

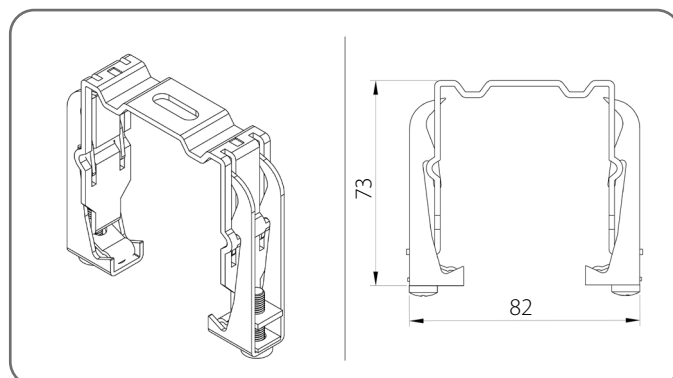
20 black

! Pins are mounted on every other slat for Venetian blinds with guide channels.

Standard guide rail bracket - US/A



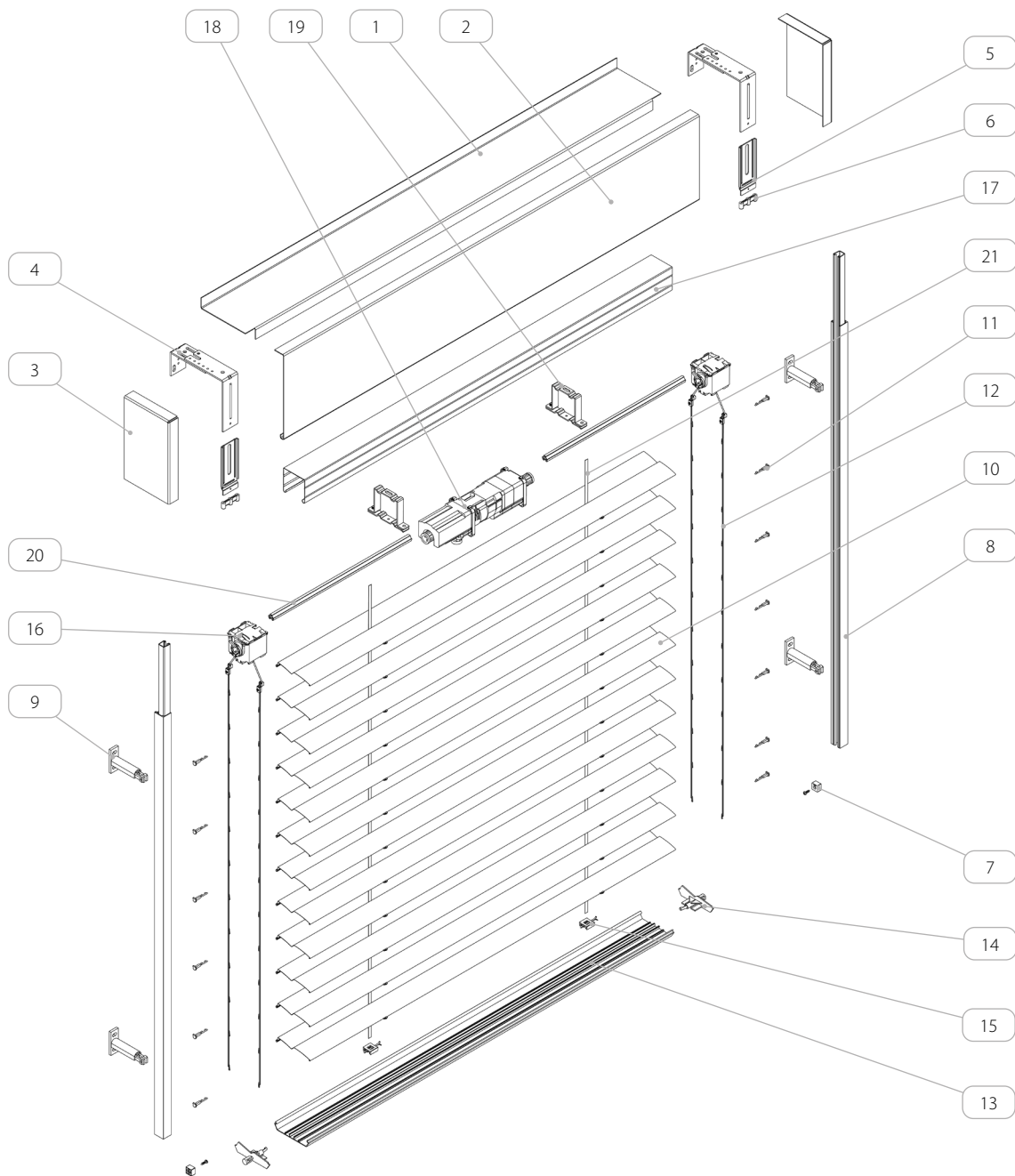
Springy guide rail bracket - US/B



Number of top rail handles

Venetian blind width [mm]	600 - 1600	1601 - 2400	2401 - 3200	3201 - 4000	4001 - 4500
Quantity	2	3	4	5	6

3. ADAPTING BLINDS SZF/A



Name of the component	
1.	Top cover plate
2.	Side cover plate
3.	End cap
4.	Adjustable top handle
5.	Auxiliary handle
6.	Silencing cap
7.	Venetian blind stopper
8.	Guide channel
9.	Guide channel handle
10.	Profile Z 90
11.	Pin to Z 90
12.	Ladder braid Z 90
13.	Bottom rail
14.	Blind for end slat
15.	Lift tape and end slat - connector
16.	Mechanism - 8 mm belt
17.	Steel rail - galvanised
18.	Drive
19.	Guide rail bracket
20.	Shaft 14 mm
21.	Strap 8 mm

CATALOGUE - TECHNICAL GUIDE FOR EXTERNAL VENETIAN BLINDS (FACADE) SZF SkyFLOW SYSTEM

Z 90 / 3. ADAPTING BLINDS SZF/A

3.1. General information



Where:

A - HEIGHT OF THE PACKAGE [mm]

B - BLINDS HEIGHT [mm]

C - COVER HEIGHT [mm]

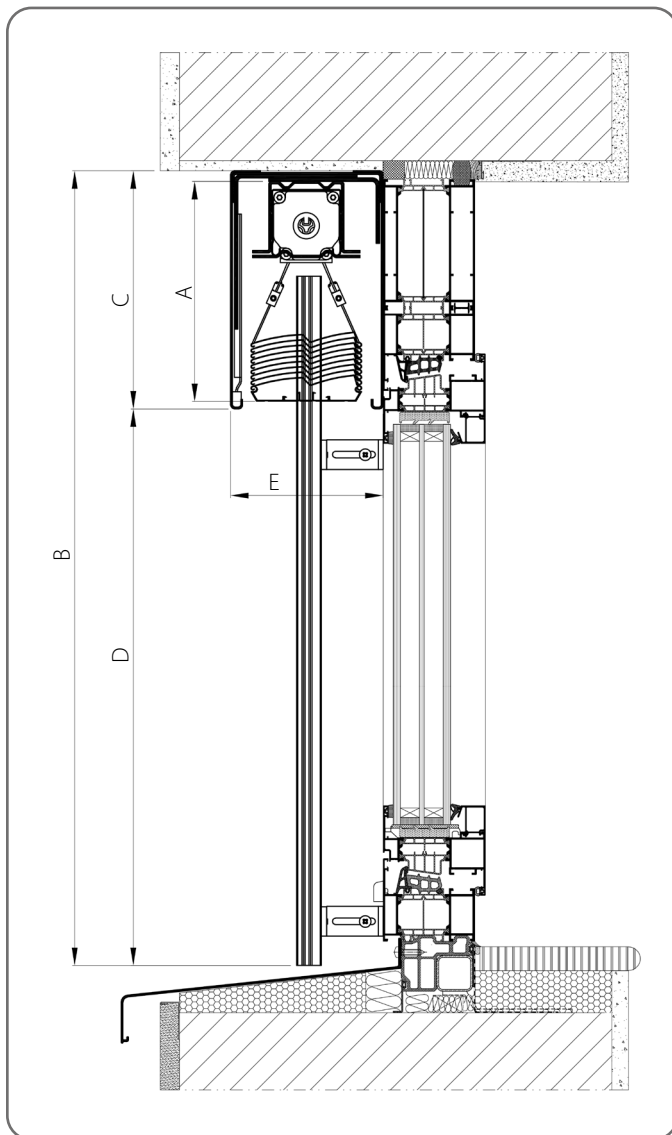
D - CLEAR HEIGHT [mm]

E - INSTALLATION DEPTH [mm]

M - WIDTH OF THE PACKAGE / SLAT [mm]

N - VENETIAN BLIND WIDTH [mm]

The measurement and installation of the venetian blind should be performed by a qualified installer.



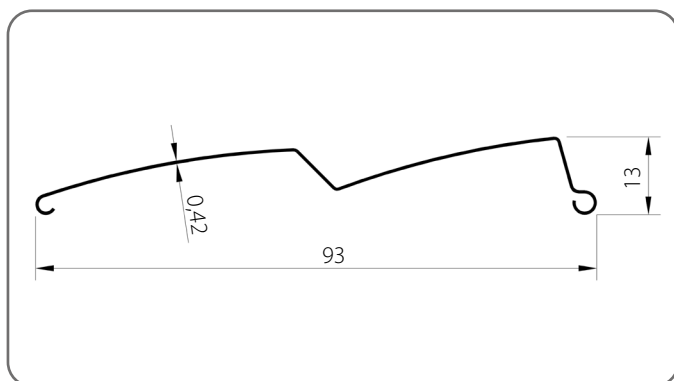
	A [mm]	B [mm]	Venetian blind with guide and/or cable guide		Venetian blind with cable reinforcement	
			C [mm]	D [mm]	C [mm]	D [mm]
1.	130	600 - 800	200	400 - 1600	200	400 - 1600
2.	140	801 - 1000				
3.	160	1001 - 1200				
4.	170	1201 - 1400				
5.	190	1401 - 1600				
6.	200	1601 - 1800				
7.	220	1801 - 2000	250	1551 - 2150	250	1551 - 2150
8.	230	2001 - 2200				
9.	250	2201 - 2400				
10.	260	2401 - 2600	300	2101 - 2900	300	2101 - 2900
11.	270	2601 - 2800				
12.	290	2801 - 3000				
13.	300	3001 - 3200				
14.	310	3201 - 3400	340	2861 - 3460	340	2861 - 3460
15.	330	3401 - 3600				
16.	340	3601 - 3800	390	3411 - 3610	390	3411 - 4010
17.	360	3801 - 4000				
18.	370	4001 - 4200				
19.	390	4201 - 4400	-	-	440	3961 - 4560
20.	400	4401 - 4600				
21.	420	4601 - 4800				
22.	430	4801 - 5000				

Minimum installation depth E [mm]			
Safety plate	End cap	Top handle	
		USG/R/1A USG/R/2A	USG/R/1B USG/R/2B
TYP 1	YES	150	170
	NO	135	170
TYP 2 TYP 2/A	YES	150	175
	NO	150	175
TYP 3	YES	150	170
	NO	150	170
TYP 4 TYP 4/A	YES	150	175
	NO	150	175

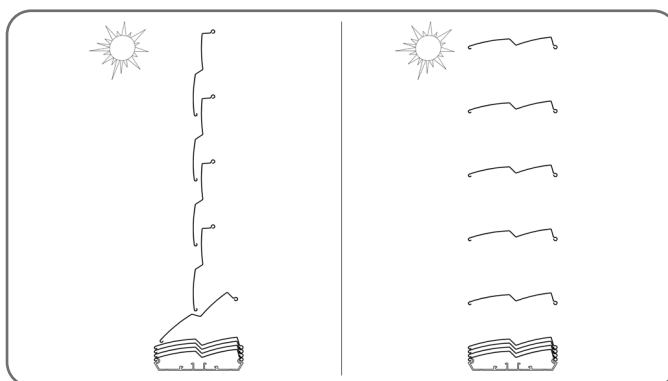
**CATALOGUE - TECHNICAL GUIDE FOR EXTERNAL
VENETIAN BLINDS (FACADE) SZF SKYFLOW SYSTEM**

Z 90 / 3. ADAPTING BLINDS SZF/A

Slat Z 90/x

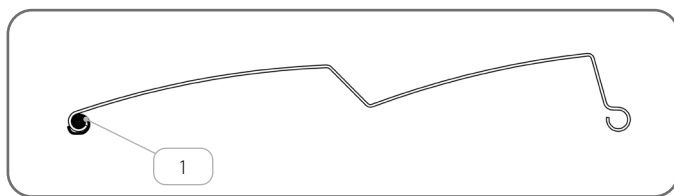


Slats rotation range - 90°



x	Colour	x	Colour	x	Colour	x	Colour
01	silver	21	black grey	33	basalt grey	74B	copper bronze
03B	grey	22B	ultra white	34	quartz grey	75B	metallic grey
09	brown	23B	anthracite grey	37B	grey aluminium	80B	graphite grey
16B	ivory	29	light beige	45	beige satin	82	alpine white
20B	black	31B	light grey	73B	mouse grey		

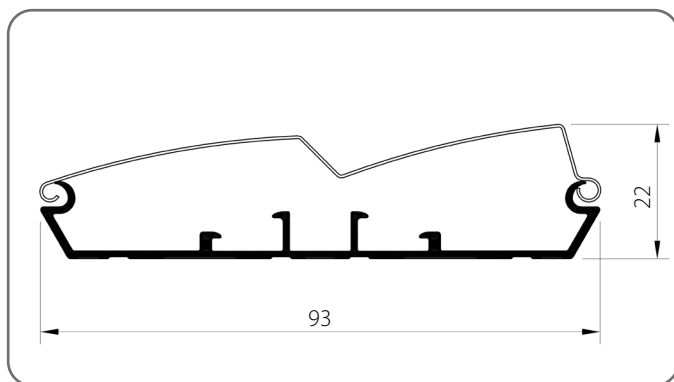
Slat soundproofing seal



	Name of the component	Catalogue code
1.	Slat soundproofing seal	UWZ90/x

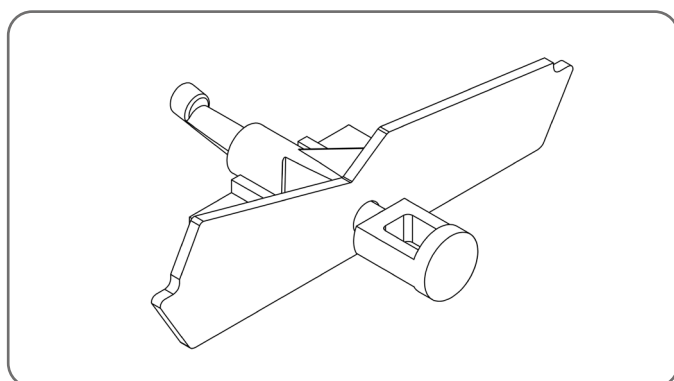
x	Colour
03	grey

Open end slat BOA/Z90/x



x	Colour	x	Colour
00	mill finish	33	basalt grey
01	silver	34	quartz grey
03B	grey	37B	grey aluminium
09	brown	45	beige satin
16B	ivory	73B	mouse grey
20B	black	74B	copper bronze
21	black grey	75B	metallic grey
22B	ultra white	80B	graphite grey
23B	anthracite grey	82	alpine white
29	light beige	IK	different colour
31B	light grey		

End slat blind Z BOA/Z90/x

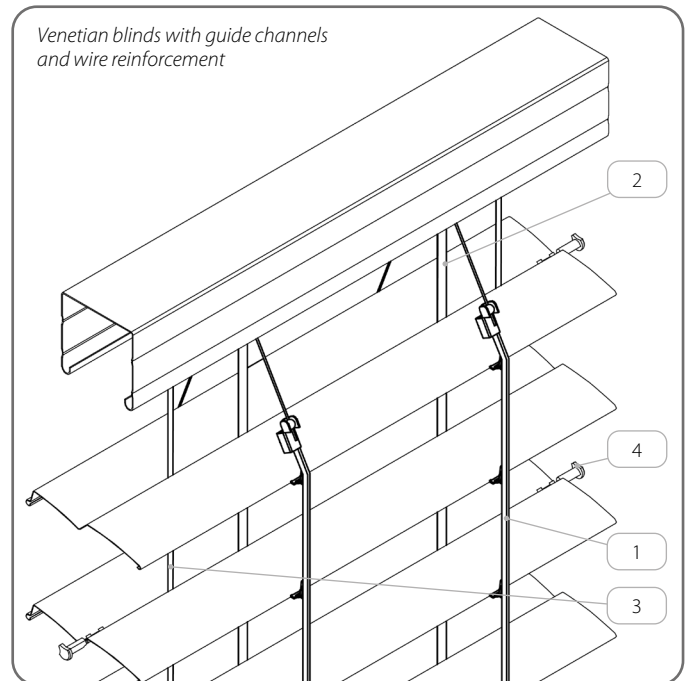
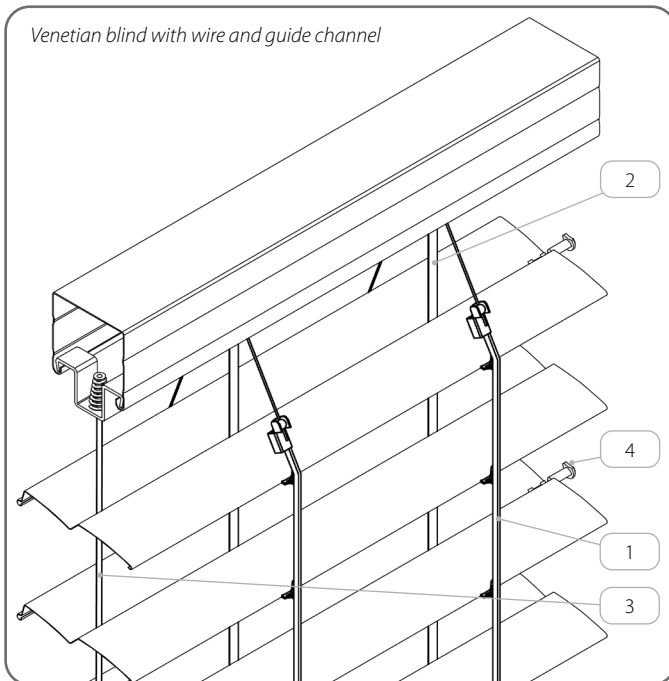
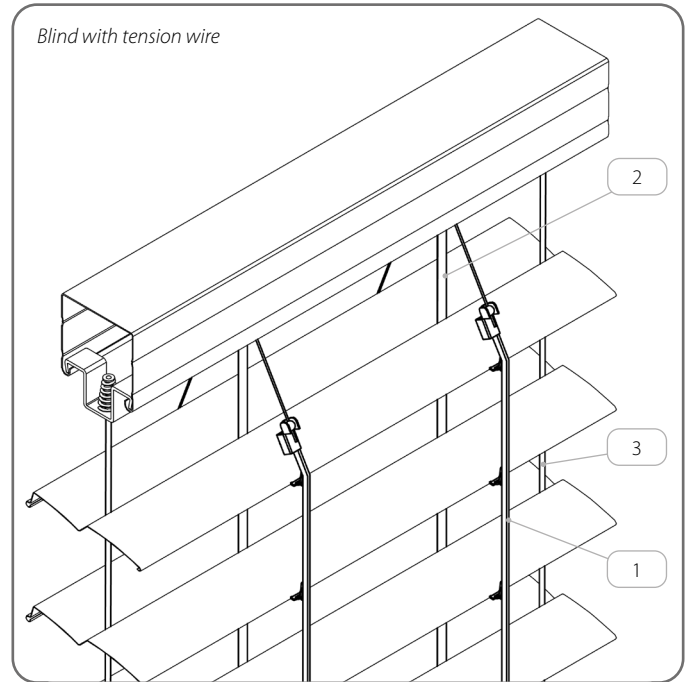
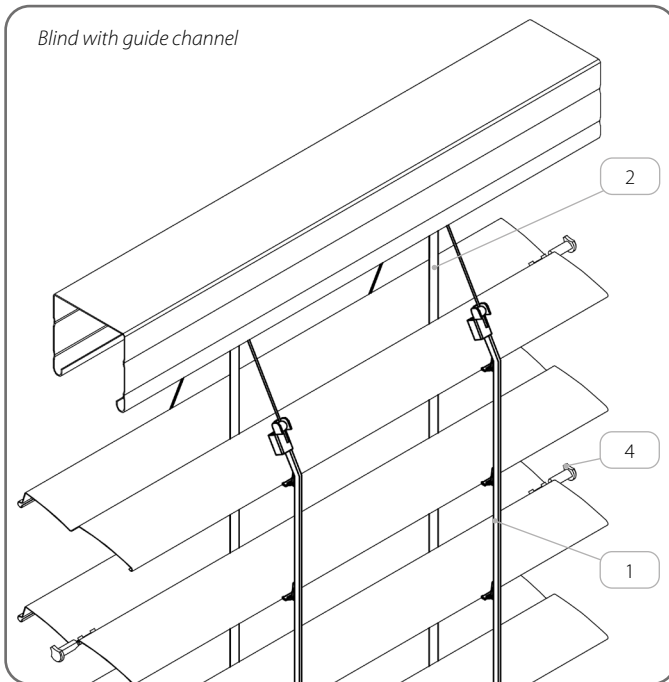


x	Colour
03	grey
20	black

**CATALOGUE - TECHNICAL GUIDE FOR EXTERNAL
VENETIAN BLINDS (FACADE) SZF SkyFlow SYSTEM**

Z 90 / 3. ADAPTING BLINDS SZF/A

Additional accessories

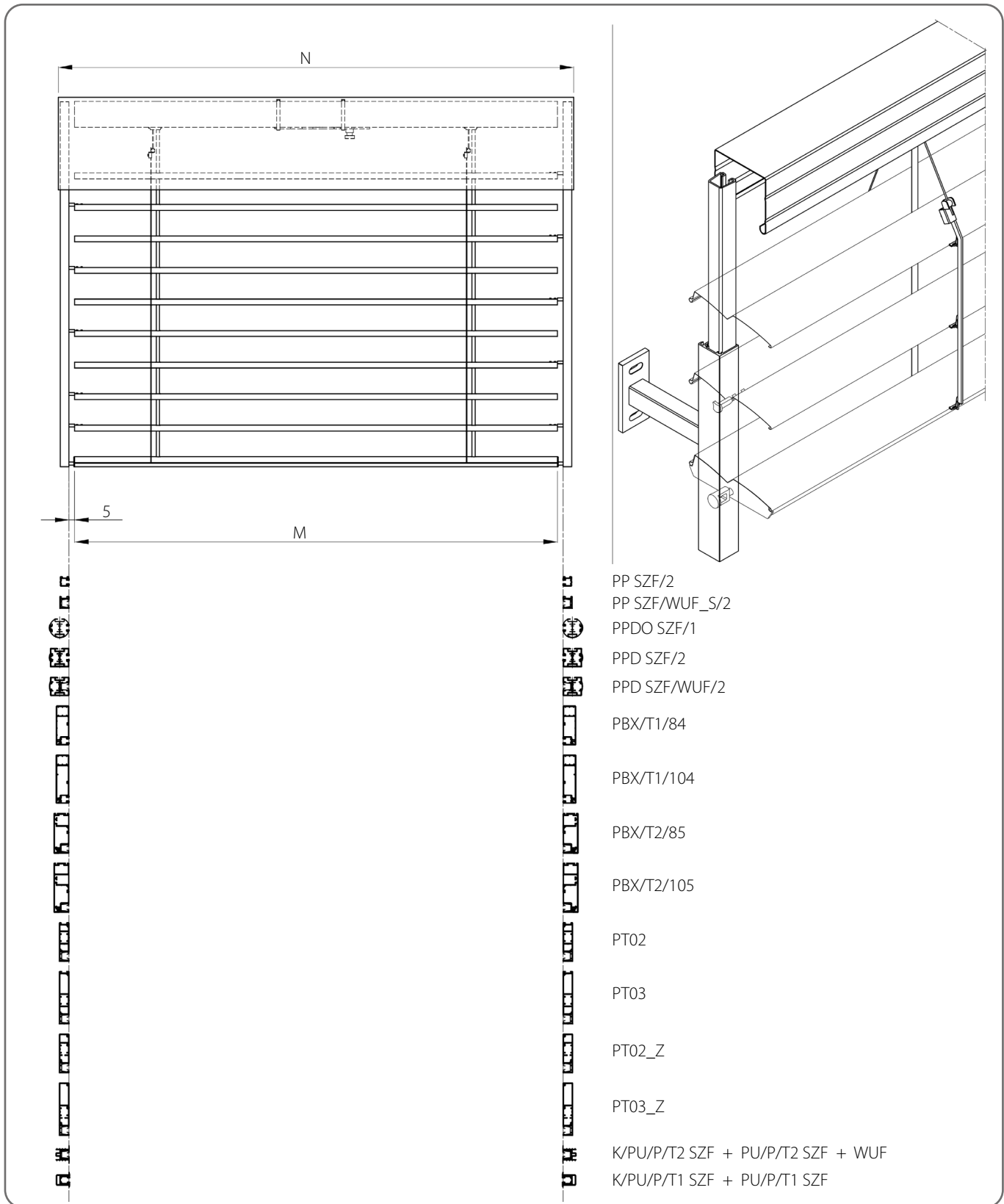


	Name of the component	Catalogue code
1.	Ladder braid Z 90	D/Z90/x
2.	Strap 8 mm	P SZF/8/x
3.	Steel wire Ø 3, PVC coated	LS SZF/3/x
4.	Pin to Z 90 - steel	P/S/Z90

x	Colour
03	grey
20	black

 Pins are mounted on every other slat for Venetian blinds with guide channels.

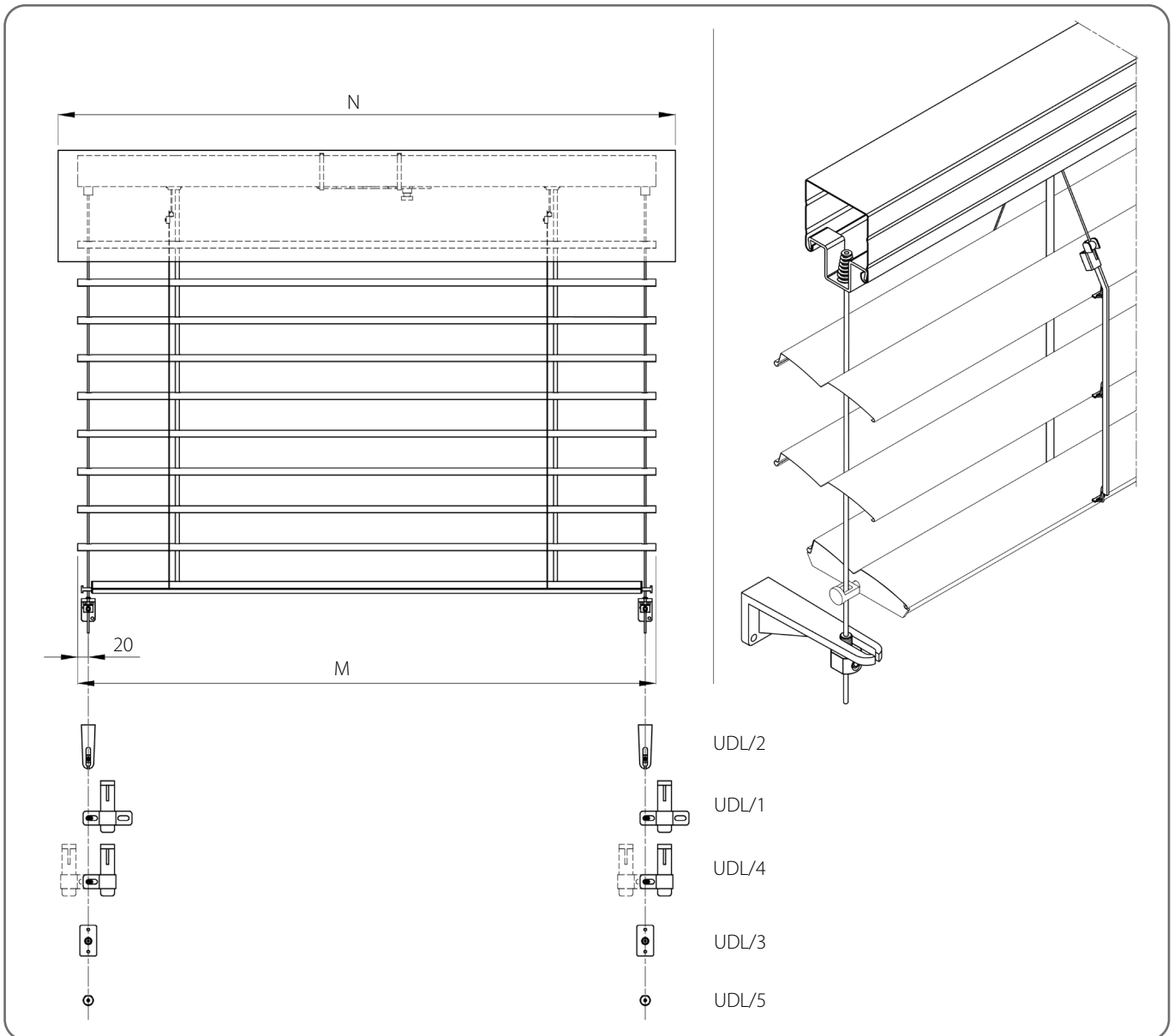
3.1.1. Blind with guide channel



Technical specifications

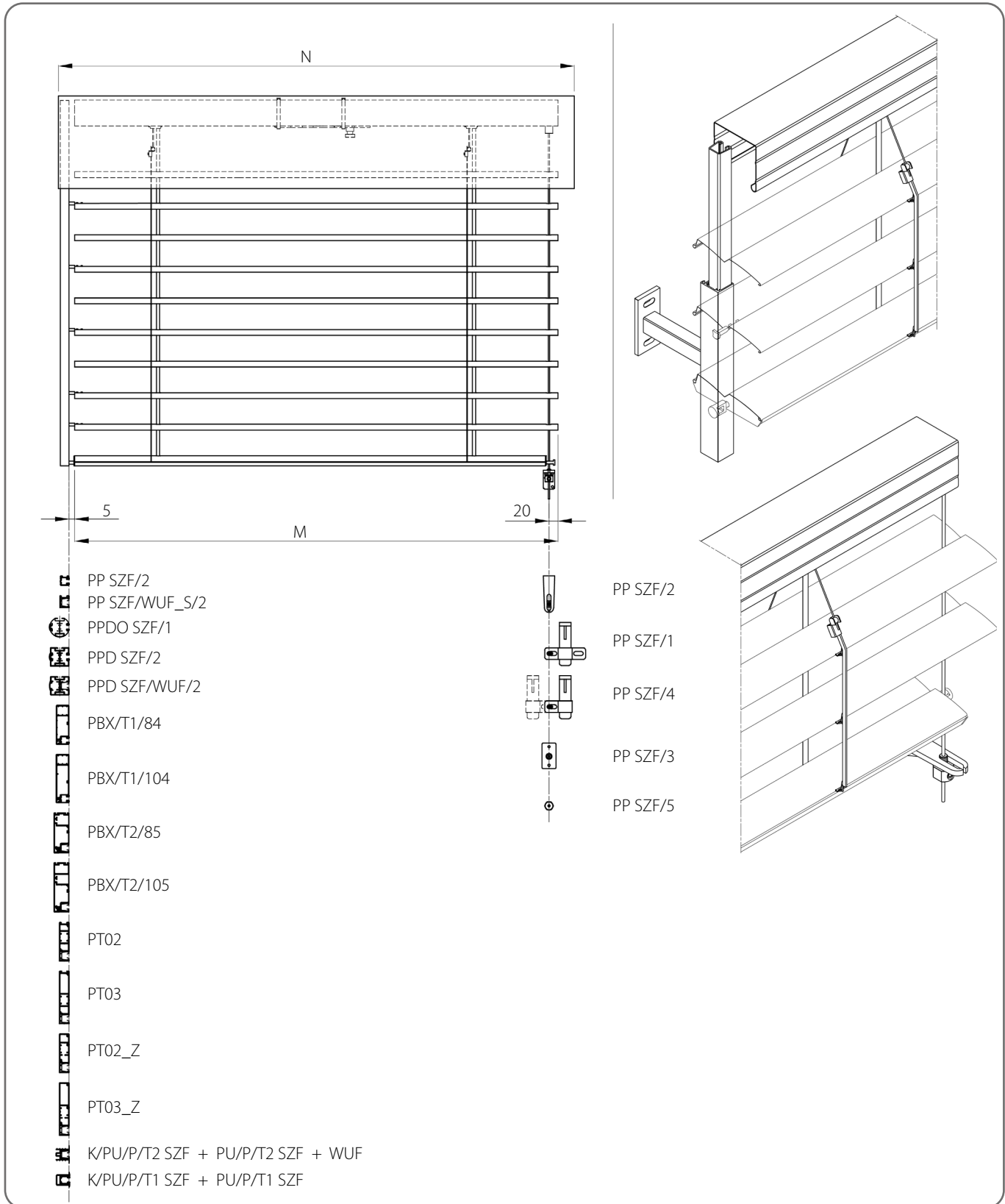
Minimum		Maximum		Maximum surface [m ²]	Corner blinds	Electric drive	Motor with emergency opening	Manual drive	Installation
Width [mm]	Height [mm]	Width [mm]	Height [mm]						
600	600	4500	4000	18	YES	YES	YES	YES	External

3.1.2. Blind with tension wire



Technical specifications								
Minimum		Maximum	Maximum surface [m ²]	Corner blinds	Electric drive	Motor with emergency opening	Manual drive	Installation
Width [mm]	Height [mm]	Width x Height [mm]						
600	600	3000 x 4000 4000 x 2500	12	NO	YES	YES	YES	External

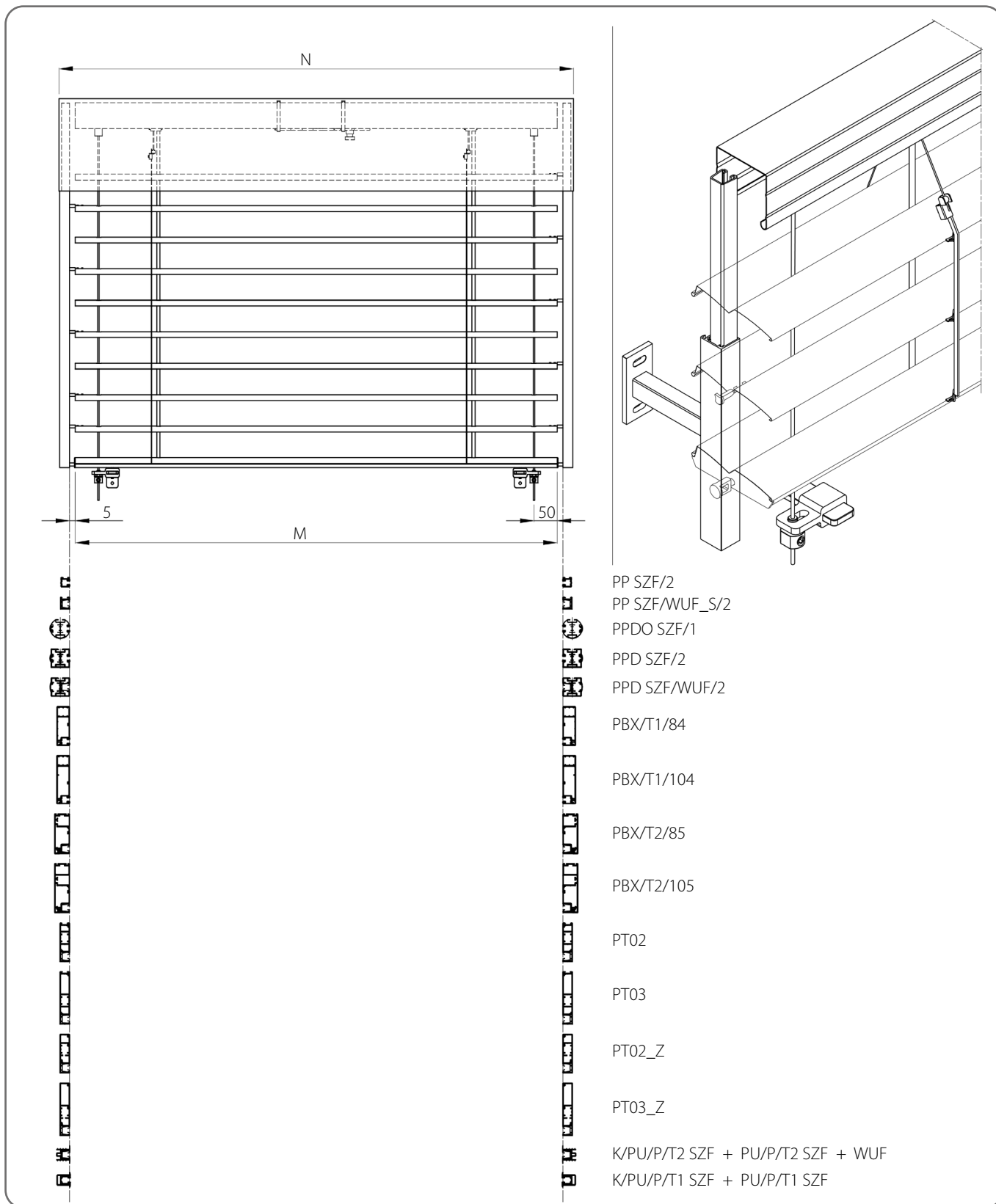
3.1.3. Venetian blind with wire and guide channel



Technical specifications

Minimum		Maximum	Maximum surface [m ²]	Corner blinds	Electric drive	Motor with emergency opening	Manual drive	Installation
Width [mm]	Height [mm]	Width x Height [mm]						
600	600	3000 x 4000 4000 x 2500	12	YES	YES	YES	YES	External


3.1.4. Venetian blinds with guide channels and wire reinforcement



Technical specifications									
Minimum		Maximum		Maximum surface [m ²]	Corner blinds	Electric drive	Motor with emergency opening	Manual drive	Installation
Width [mm]	Height [mm]	Width [mm]	Height [mm]						
600	600	5000	5000	25	YES	YES	YES	YES	External

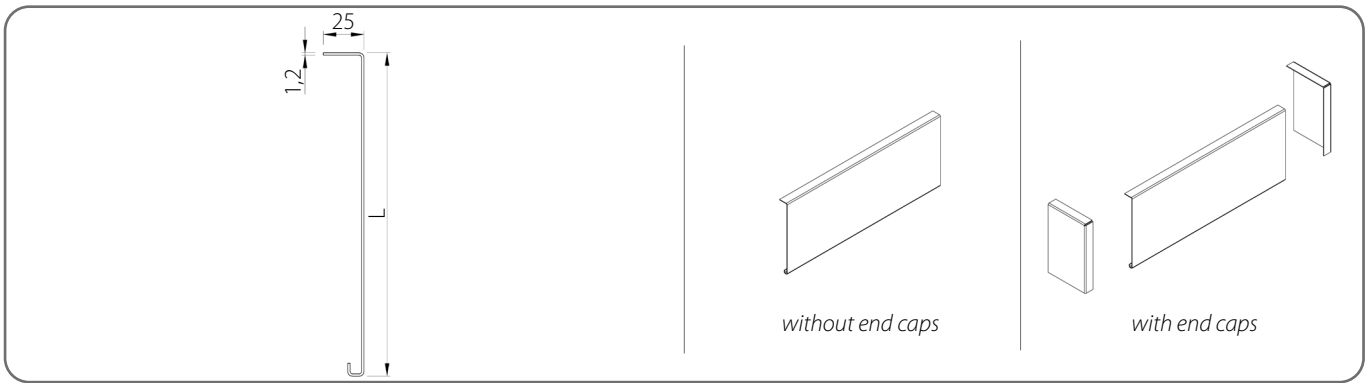
3.2. Cover plate

 It is possible to configure the blinds without the cover plate.

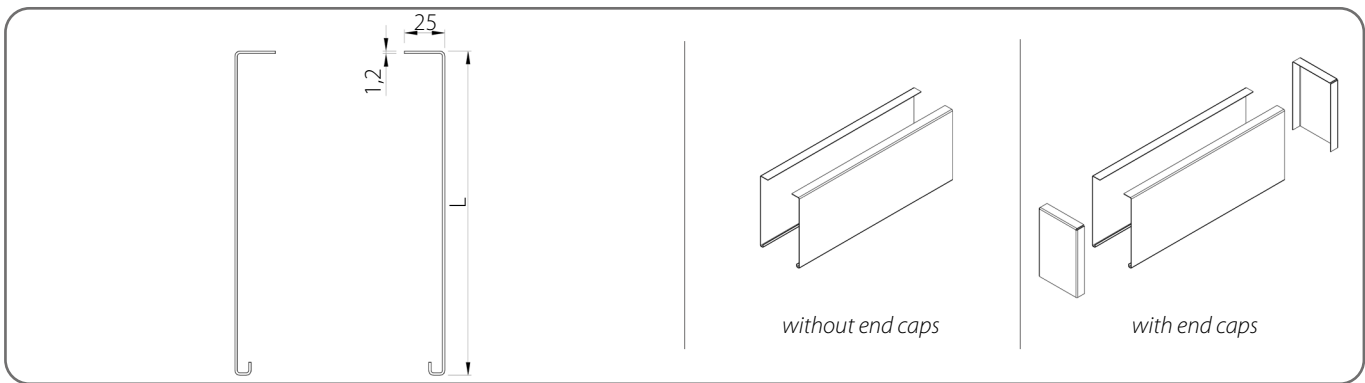
 Maximum width for a single element - 4 m. It is possible to connect boxes.

x	Colour	x	Colour	x	Colour	x	Colour
00	mill finish	21	black grey	34	quartz grey	80B	graphite grey
01	silver	22B	ultra white	37B	grey aluminium	82	alpine white
03B	grey	23B	anthracite grey	45	beige satin	IK	different colour
09	brown	29	light beige	73B	mouse grey		
16B	ivory	31B	light grey	74B	copper bronze		
20B	black	33	basalt grey	75B	metallic grey		

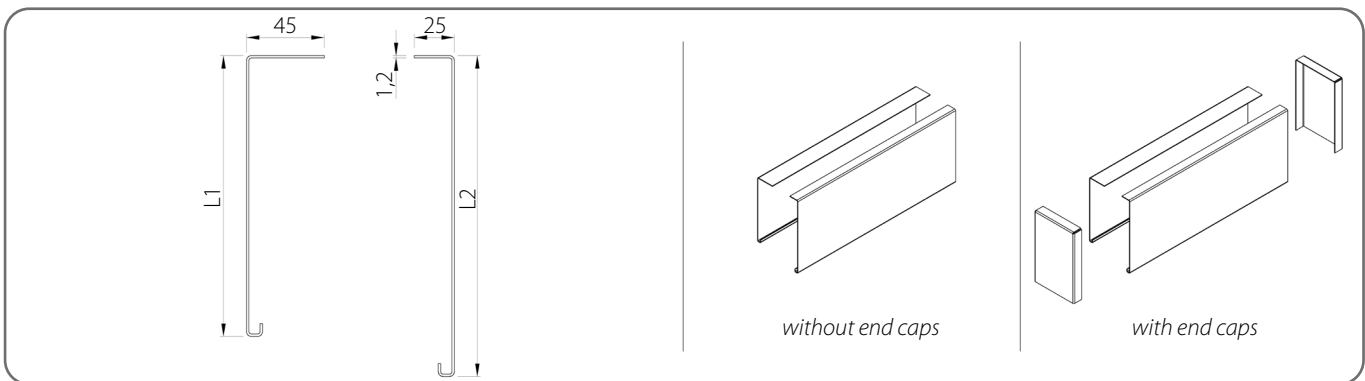
TYPE 1 cover plate



TYPE 2 cover plate



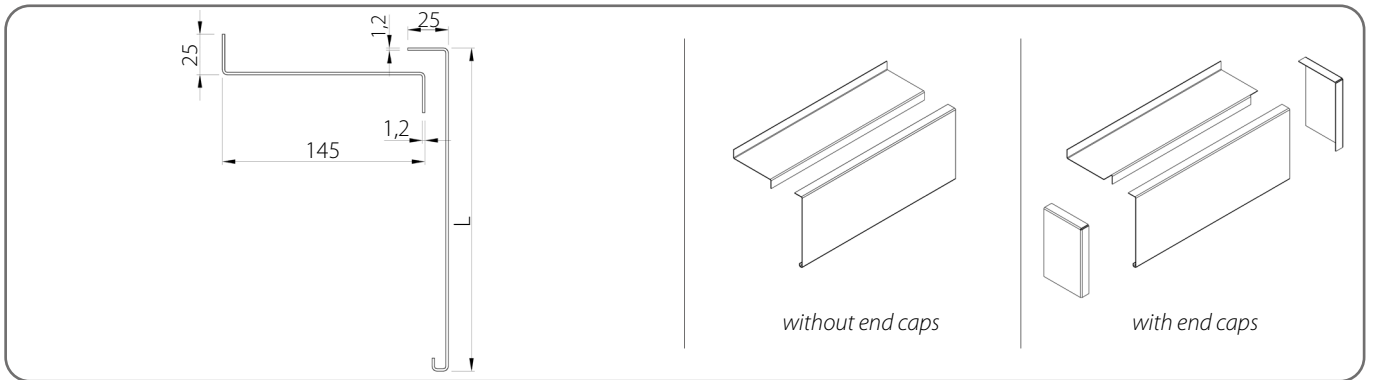
TYPE 2 cover plate/A



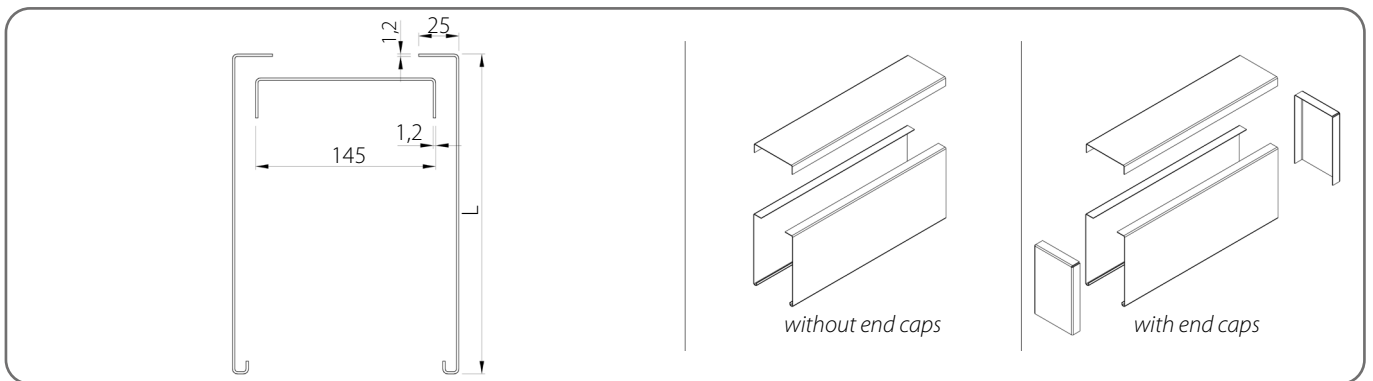
**CATALOGUE - TECHNICAL GUIDE FOR EXTERNAL
VENETIAN BLINDS (FACADE) SZF SkyFlow SYSTEM**

Z 90 / 3. ADAPTING BLINDS SZF/A

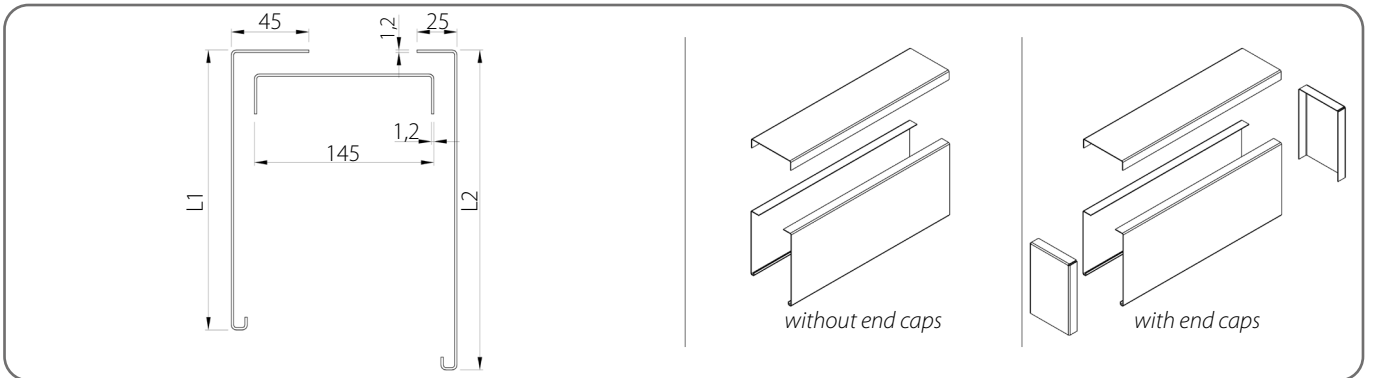
TYPE 3 cover plate



TYPE 4 cover plate



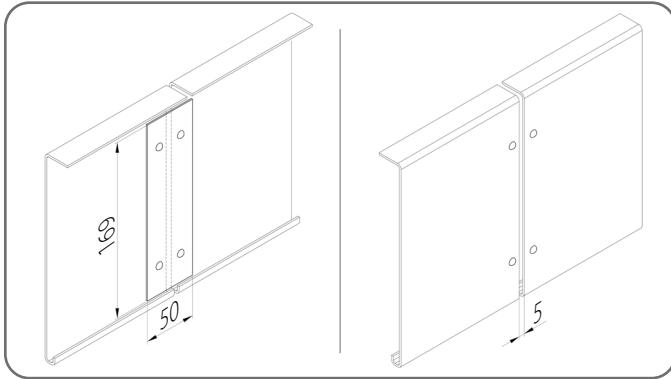
TYPE 4 cover plate/A



	L [mm]	L1 [mm]	L2 [mm]
1.	200	180	200
2.	250	230	250
3.	300	280	300
4.	340	320	340
5.	390	370	390
6.	440	420	440

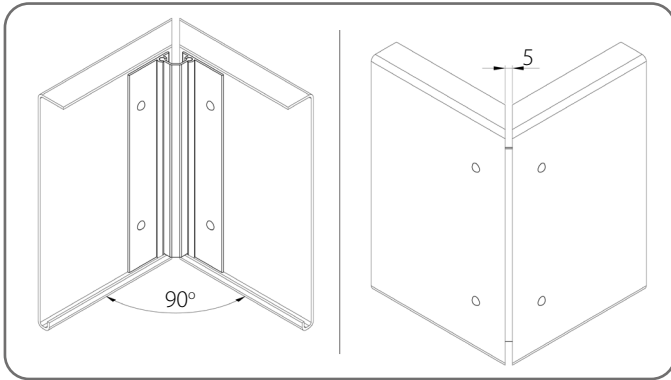
3.2.1. Joining cover plate

Serial connection



Number of connectors LPS/150 [pcs.]			
	Plate height [mm]	Safety plate for end cap type	
		TYPE 1, TYPE 3	TYPE 2, TYPE 2/A, TYPE 4, TYPE 4/A
1.	200 - 300	1	2
2.	340 - 440	2	4

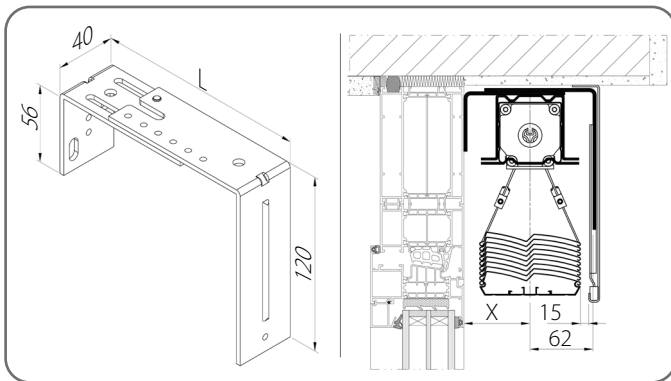
Corner joining



Number of connectors LRS [set]				
	Catalogue code	Plate height [mm]	Safety plate for end cap type	
			TYPE 1, TYPE 3	TYPE 2, TYPE 2/A, TYPE 4, TYPE 4/A
1.	LRS/200	200	1	1
2.	LRS/250	250	1	1
3.	LRS/300	300	1	1
4.	LRS/340	340	1	1
5.	LRS/390	390	1	1
6.	LRS/440	440	1	1

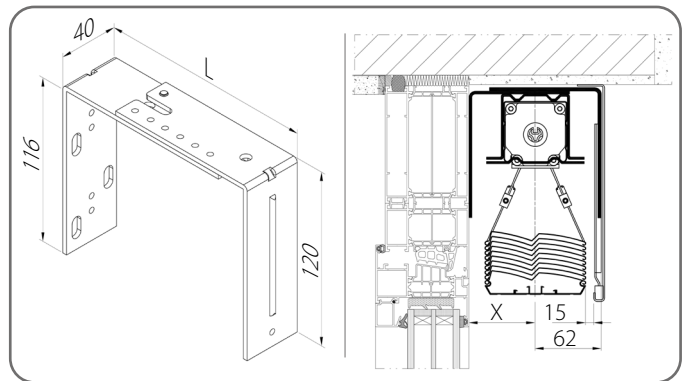
3.3. Top handle

USG/R/1



	Catalogue code	X [mm]	L [mm]
1.	USG/R/1A	62 - 96	129 - 163
2.	USG/R/1B	97 - 158	165 - 225

USG/R/2



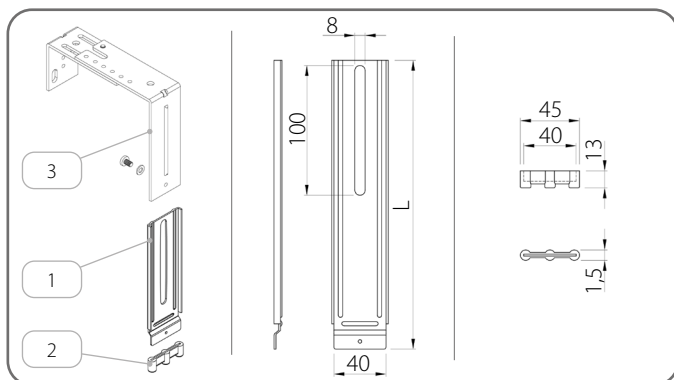
	Catalogue code	X [mm]	L [mm]
1.	USG/R/2A	62 - 96	129 - 163
2.	USG/R/2B	97 - 158	165 - 225

Number of handles [pcs.]						
Safety plate for end cap type	Venetian blind width [mm]					
	600 - 1600	1601 - 2400	2401 - 3200	3201 - 4000	4001 - 4500	4501 - 5000
TYPE 1, TYPE 3	2	3	4	5	6	7
TYPE 2, TYPE 2/A, TYPE 4, TYPE 4/A	4	6	8	10	12	14

**CATALOGUE - TECHNICAL GUIDE FOR EXTERNAL
VENETIAN BLINDS (FACADE) SZF SkyFLOW SYSTEM**

Z 90 / 3. ADAPTING BLINDS SZF/A

3.4. Auxiliary handle

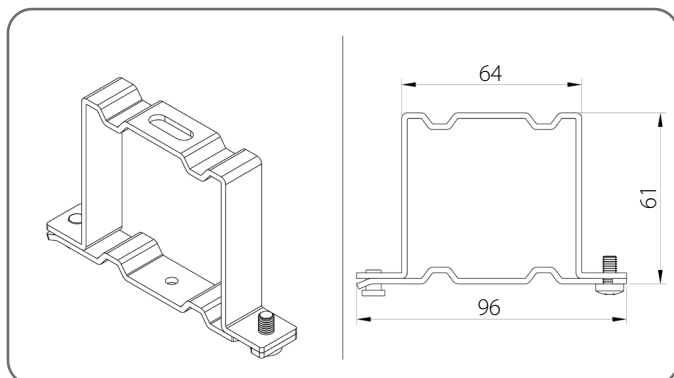


Auxiliary handle			
	Catalogue code	L [mm]	Box height [mm]
1.	UPS/140	143	200
2.	UPS/220	223	250
3.	UPS/220	223	300
4.	UPS/300	303	340
5.	UPS/300	303	390
6.	UPS/380	383	440

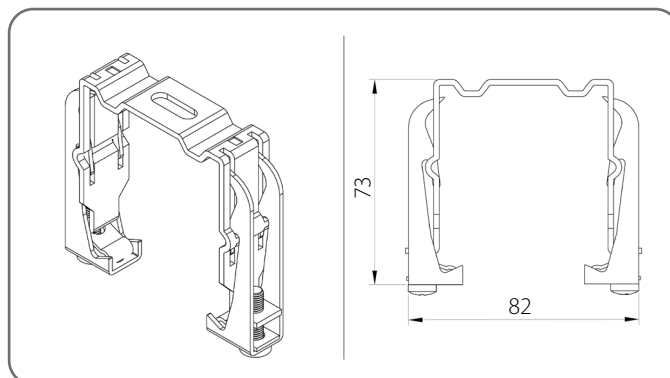
Name of the component	
1.	Auxiliary handle
2.	Silencing cap
3.	Top handle

3.5. Top guide rail bracket

Standard guide rail bracket - US/A



Springy guide rail bracket - US/B



Number of top rail handles						
Venetian blind width [mm]	600 - 1600	1601 - 2400	2401 - 3200	3201 - 4000	4001 - 4500	4501 - 5000
Quantity	2	3	4	5	6	7

3.6. Other information

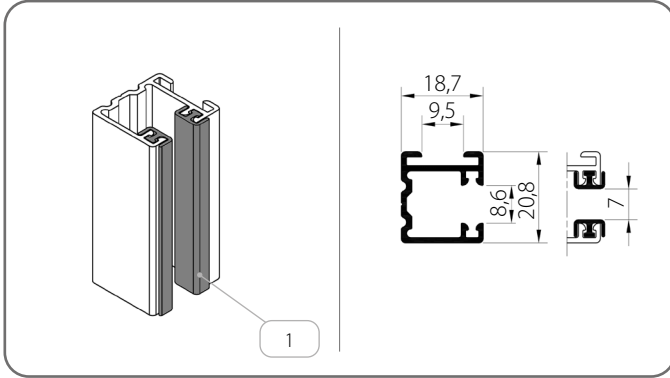
Blinds height [mm]	Slat width [mm]						
	1400	2400	3400	4400	5000	-	-
600 - 2500	1400	2400	3400	4400	5000	-	-
2501 - 3000	1300	2200	3100	4000	4900	5000	-
3001 - 4500	1200	2000	2800	3600	4400	5000	-
4501 - 5000	1100	1800	2500	3200	3900	4600	5000
Number of strap mechanisms	2	3	4	5	6	7	8

Guide channel handle					
Blinds height [mm]	600 - 1600	1601 - 2600	2601 - 3600	3601 - 4600	4601 - 5000
Number of handles [for 1 pcs guide channel]	2	3	4	5	6

3.7. Guide channels

3.7.1. Guide channels - I Group

PP SZF/2/x

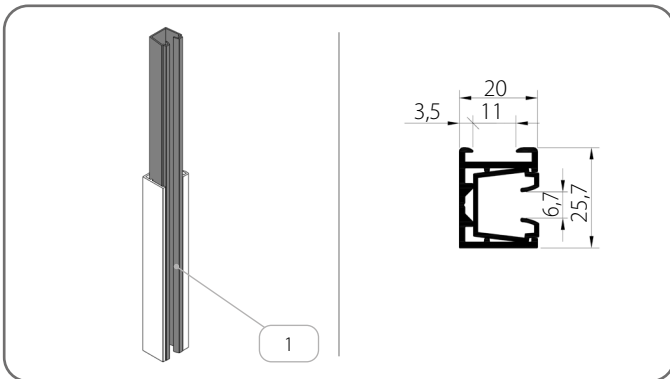


	Name of the component	Colour
1.	Damping seal	20 - black

x	Colour	x	Colour	x	Colour	x	Colour
00	mill finish	21	black grey	34	quartz grey	80B	graphite grey
01	silver	22B	ultra white	37B	grey aluminium	82	alpine white
03B	grey	23B	anthracite grey	45	beige satin	IK	different colour
09	brown	29	light beige	73B	mouse grey		
16B	ivory	31B	light grey	74B	copper bronze		
20B	black	33	basalt grey	75B	metallic grey		

3.7.2. Guide channels - Group II

PP SZF/WUF_S/2/x



	Name of the component	Colour
1.	Guide channels insert	03 - grey 20 - black

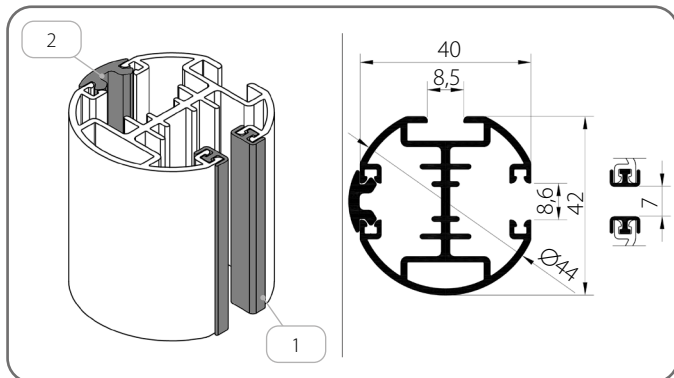
x	Colour	x	Colour	x	Colour	x	Colour
00	mill finish	21	black grey	34	quartz grey	80B	graphite grey
01	silver	22B	ultra white	37B	grey aluminium	82	alpine white
03B	grey	23B	anthracite grey	45	beige satin	IK	different colour
09	brown	29	light beige	73B	mouse grey		
16B	ivory	31B	light grey	74B	copper bronze		
20B	black	33	basalt grey	75B	metallic grey		

**CATALOGUE - TECHNICAL GUIDE FOR EXTERNAL
VENETIAN BLINDS (FACADE) SZF SkyFLOW SYSTEM**

Z 90 / 3. ADAPTING BLINDS SZF/A

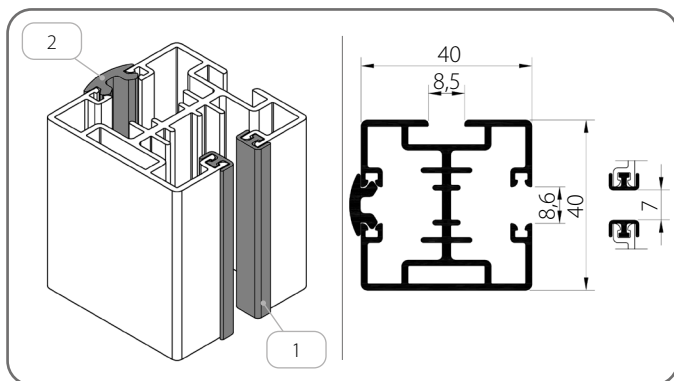
3.7.3. Guide channels - Group III

PPDO SZF/1/x



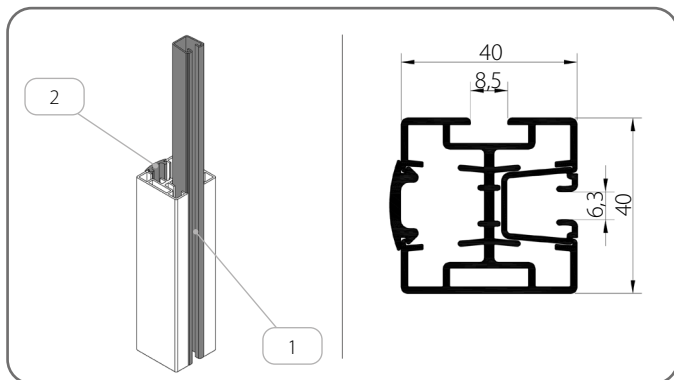
	Name of the component	Colour
1.	Damping seal	20 - black
2.	Masking seal	03 - grey 20 - black

PPD SZF/2/x



	Name of the component	Colour
1.	Damping seal	20 - black
2.	Masking seal	03 - grey 20 - black

PPD SZF/WUF/2/x

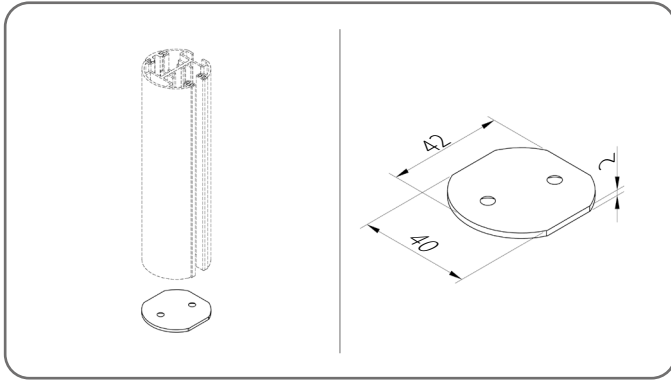


	Name of the component	Colour
1.	Guide channels insert	20 - black
2.	Masking seal	03 - grey 20 - black

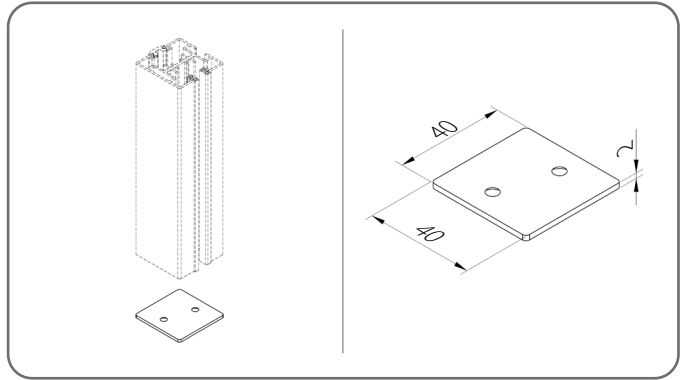
x	Colour	x	Colour	x	Colour	x	Colour
00	mill finish	21	black grey	34	quartz grey	80B	graphite grey
01	silver	22B	ultra white	37B	grey aluminium	82	alpine white
03B	grey	23B	anthracite grey	45	beige satin	IK	different colour
09	brown	29	light beige	73B	mouse grey		
16B	ivory	31B	light grey	74B	copper bronze		
20B	black	33	basalt grey	75B	metallic grey		

3.7.3.1. Guide channel side lock

ZPPDO SZF/1



ZPPD SZF/2



x	Colour	x	Colour	x	Colour	x	Colour
00	mill finish	21	black grey	34	quartz grey	80B	graphite grey
01	silver	22B	ultra white	37B	grey aluminium	82	alpine white
03B	grey	23B	anthracite grey	45	beige satin	IK	different colour
09	brown	29	light beige	73B	mouse grey		
16B	ivory	31B	light grey	74B	copper bronze		
20B	black	33	basalt grey	75B	metallic grey		

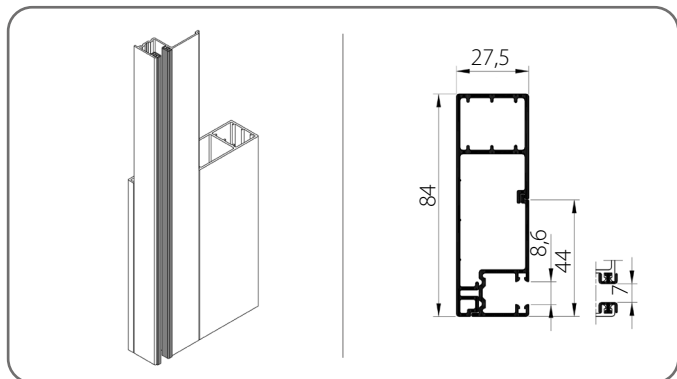
 Aluminium side lock.

**CATALOGUE - TECHNICAL GUIDE FOR EXTERNAL
VENETIAN BLINDS (FACADE) SZF SkyFLOW SYSTEM**

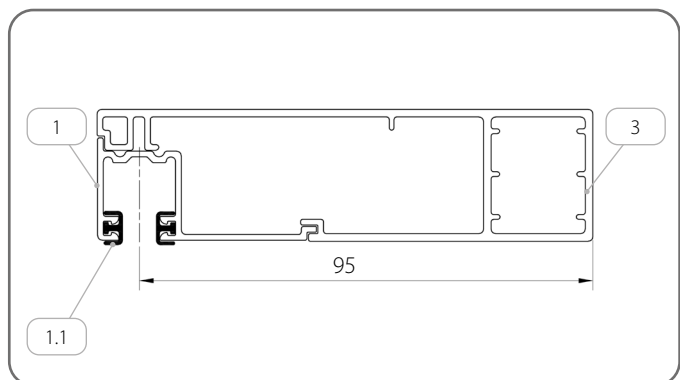
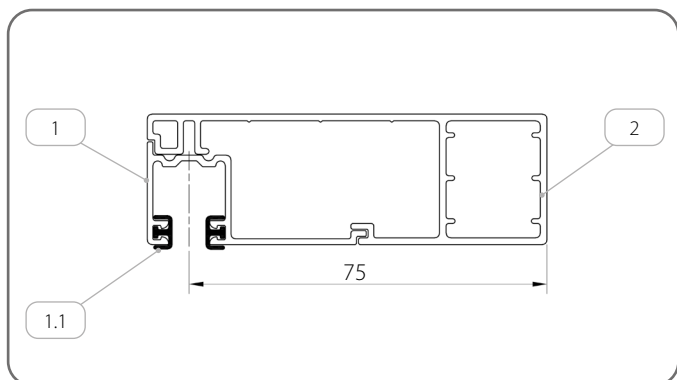
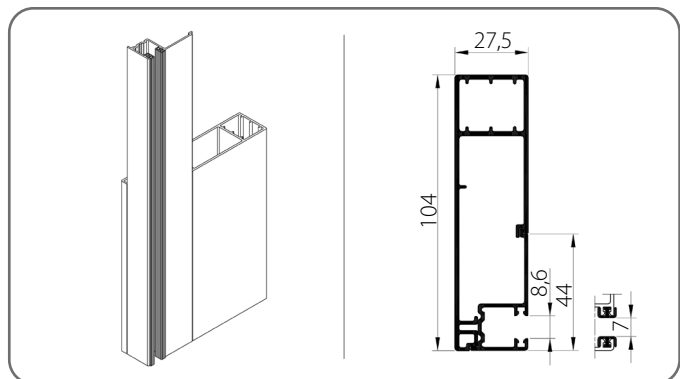
Z 90 / 3. ADAPTING BLINDS SZF/A

3.7.4. Guide channels - Group IV

PBX/T1/84/x



PBX/T1/104/x



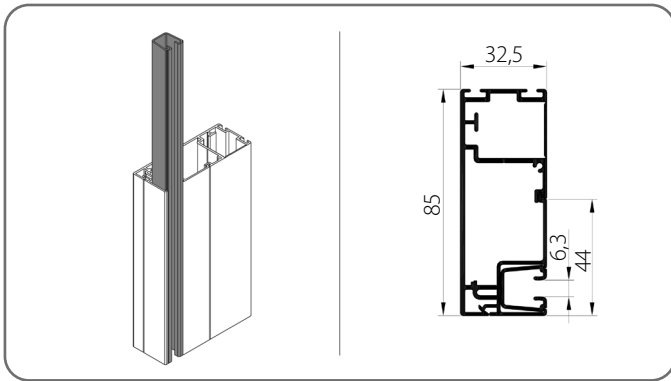
	Name of the component	Colour	Catalogue code
1.	Guide channel	x	PPF/x
1.1.	Damping seal	20 - black	-
2.	Guide channel adaptor	x	APPF/x
3.	Guide channel adaptor	x	APPF/104/x

x	Colour	x	Colour	x	Colour	x	Colour
00	mill finish	21	black grey	34	quartz grey	80B	graphite grey
01	silver	22B	ultra white	37B	grey aluminium	82	alpine white
03B	grey	23B	anthracite grey	45	beige satin	IK	different colour
09	brown	29	light beige	73B	mouse grey		
16B	ivory	31B	light grey	74B	copper bronze		
20B	black	33	basalt grey	75B	metallic grey		

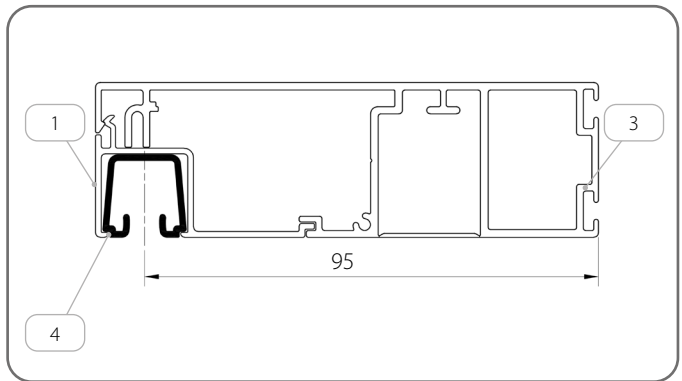
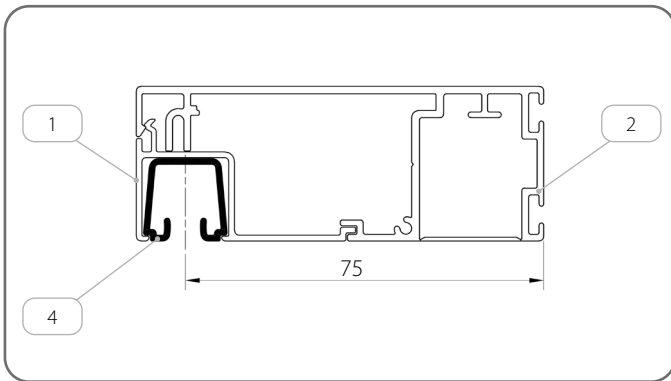
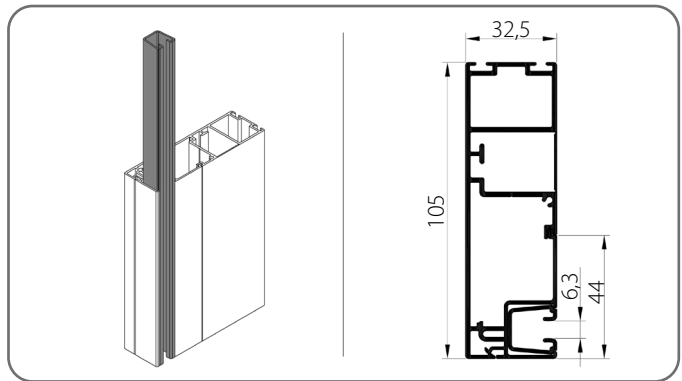
**CATALOGUE - TECHNICAL GUIDE FOR EXTERNAL
VENETIAN BLINDS (FACADE) SZF SKYFLOW SYSTEM**

Z 90 / 3. ADAPTING BLINDS SZF/A

PBX/T2/85/x



PBX/T2/105/x

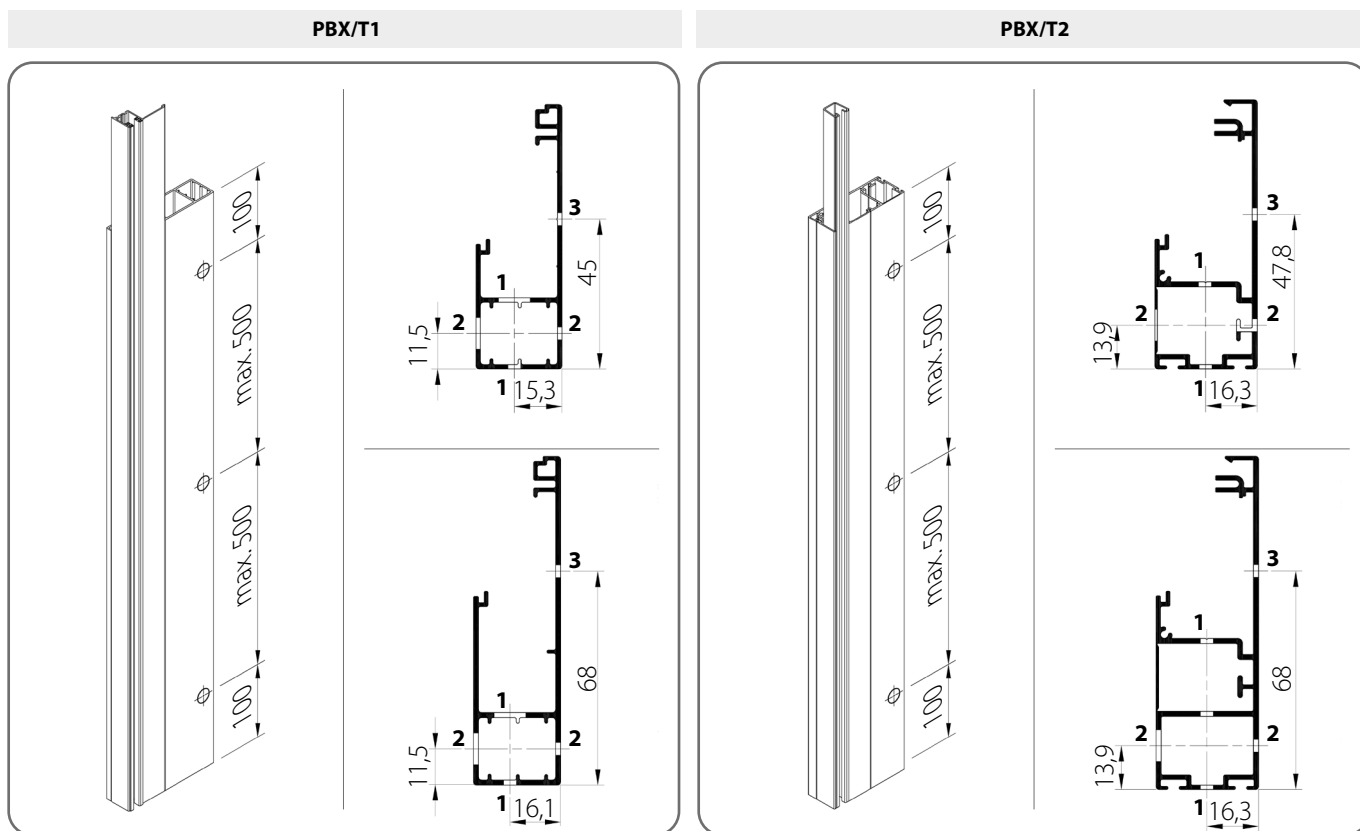


	Name of the component	Colour	Catalogue code
1.	Guide channel	x	PWUFx
2.	Guide channel adaptor	x	APWUF/85/x
3.	Guide channel adaptor	x	APWUF/105/x
4.	Guide channels insert	20 - black	WUF

x	Colour	x	Colour	x	Colour	x	Colour
00	mill finish	21	black grey	34	quartz grey	80B	graphite grey
01	silver	22B	ultra white	37B	grey aluminium	82	alpine white
03B	grey	23B	anthracite grey	45	beige satin	IK	different colour
09	brown	29	light beige	73B	mouse grey		
16B	ivory	31B	light grey	74B	copper bronze		
20B	black	33	basalt grey	75B	metallic grey		

3.7.4.1. Drilling guide channels

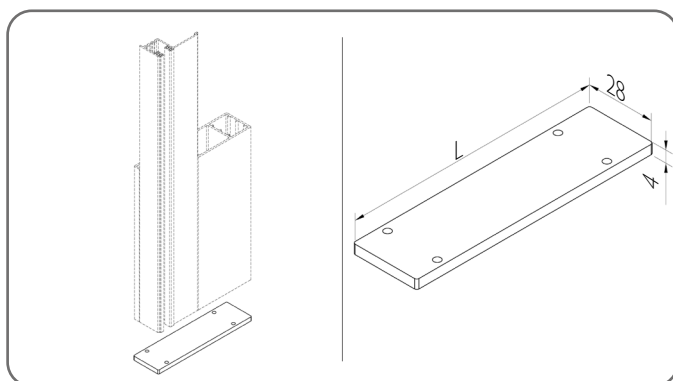
 It is possible to order a guide channel with pre-drilled mounting holes in accordance with the diagram.



3.7.4.2. Guide channel side lock

Aluminium side lock.

For guide channels type BX/T1



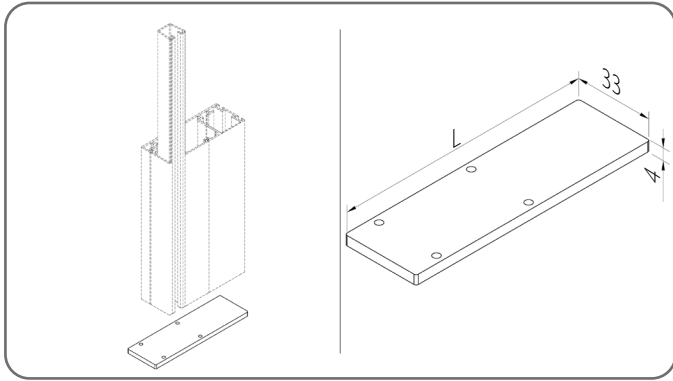
	Catalogue code	L [mm]
1.	ZAPBX/T1/84/x	85
2.	ZAPBX/T1/104/x	105

x	Colour	x	Colour	x	Colour	x	Colour
00	mill finish	21	black grey	34	quartz grey	80B	graphite grey
01	silver	22B	ultra white	37B	grey aluminium	82	alpine white
03B	grey	23B	anthracite grey	45	beige satin	IK	different colour
09	brown	29	light beige	73B	mouse grey		
16B	ivory	31B	light grey	74B	copper bronze		
20B	black	33	basalt grey	75B	metallic grey		

**CATALOGUE - TECHNICAL GUIDE FOR EXTERNAL
VENETIAN BLINDS (FACADE) SZF SKYFLOW SYSTEM**

Z 90 / 3. ADAPTING BLINDS SZF/A

For guide channels type BX/T2

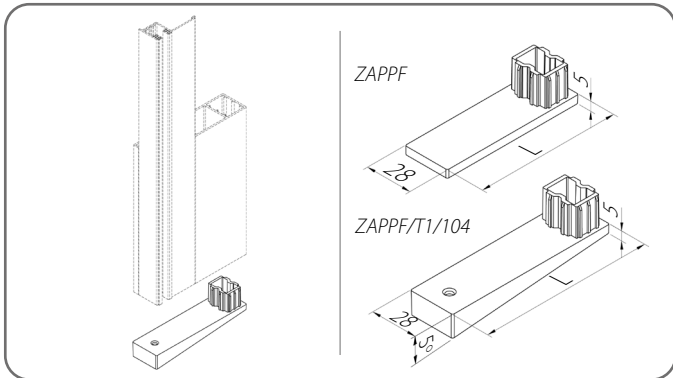


	Catalogue code	L [mm]
1.	ZAPBX/T2/85/x	86
2.	ZAPBX/T2/105/x	106

x	Colour	x	Colour	x	Colour	x	Colour
00	mill finish	21	black grey	34	quartz grey	80B	graphite grey
01	silver	22B	ultra white	37B	grey aluminium	82	alpine white
03B	grey	23B	anthracite grey	45	beige satin	IK	different colour
09	brown	29	light beige	73B	mouse grey		
16B	ivory	31B	light grey	74B	copper bronze		
20B	black	33	basalt grey	75B	metallic grey		

PVC side lock.

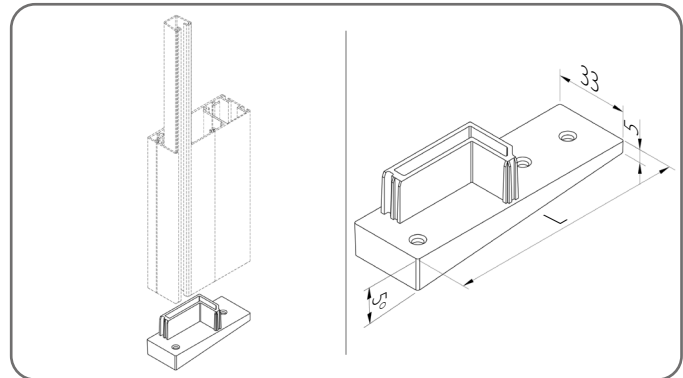
For guide channels type BX/T1



	Catalogue code	L [mm]
1.	ZAPPF/x	85
2.	ZAPPF/T1/104/x	105

x	Colour	x	Colour	x	Colour	x	Colour
01	silver	20B	black	31B	light grey	74B	copper bronze
03B	grey	21	black grey	34	quartz grey	75B	metallic grey
09	brown	22B	ultra white	37B	grey aluminium		
16B	ivory	23B	anthracite grey	73B	mouse grey		

For guide channels type BX/T2

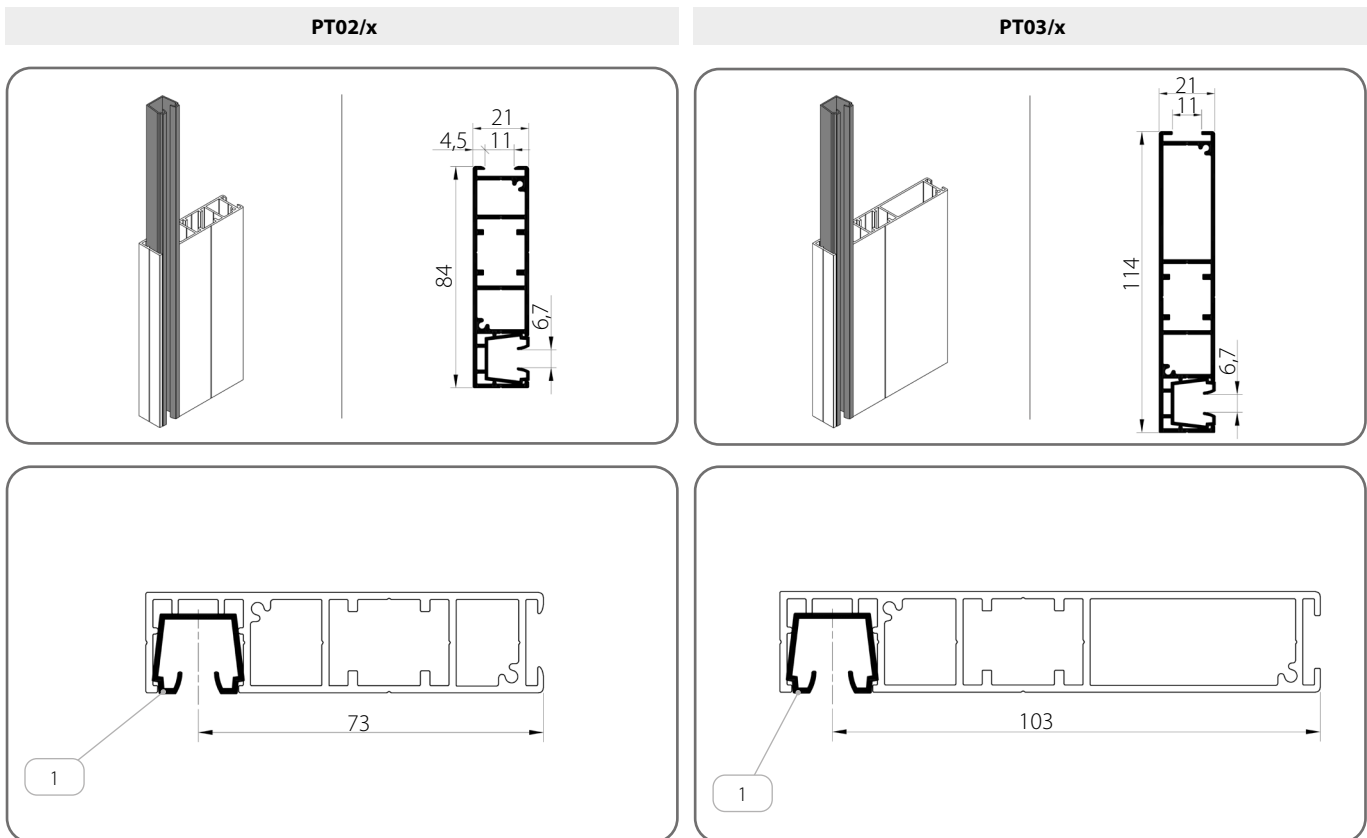


	Catalogue code	L [mm]	Guide channel
1.	ZPBX/T2/x	86	PBX/T2/85
		106	PBX/T2/105

**CATALOGUE - TECHNICAL GUIDE FOR EXTERNAL
VENETIAN BLINDS (FACADE) SZF SkyFLOW SYSTEM**

Z 90 / 3. ADAPTING BLINDS SZF/A

3.7.5. Guide channels - Group V

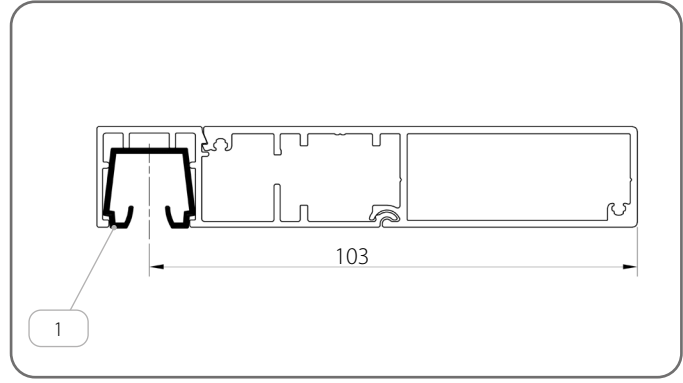
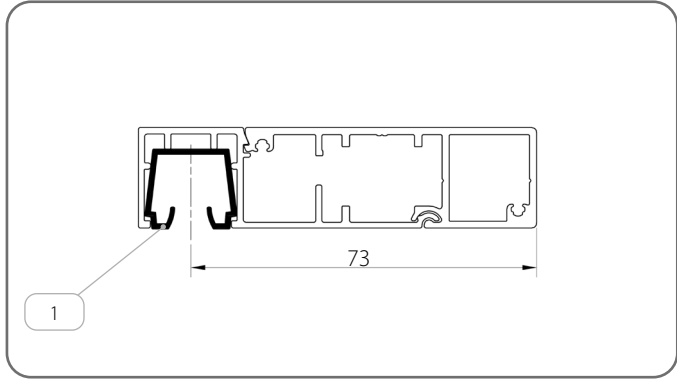
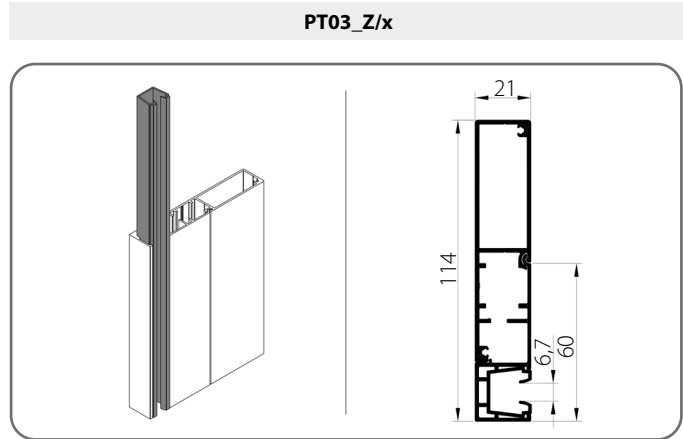
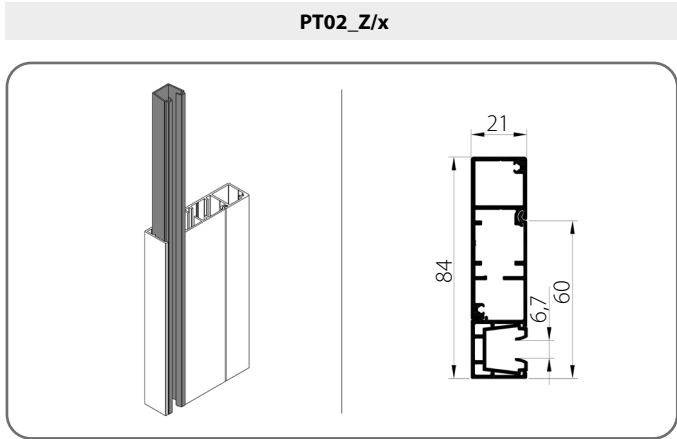


Name of the component		Colour
1.	Guide channels insert	03 - grey 20 - black

x	Colour	x	Colour	x	Colour	x	Colour
00	mill finish	21	black grey	34	quartz grey	80B	graphite grey
01	silver	22B	ultra white	37B	grey aluminium	82	alpine white
03B	grey	23B	anthracite grey	45	beige satin	IK	different colour
09	brown	29	light beige	73B	mouse grey		
16B	ivory	31B	light grey	74B	copper bronze		
20B	black	33	basalt grey	75B	metallic grey		

**CATALOGUE - TECHNICAL GUIDE FOR EXTERNAL
VENETIAN BLINDS (FACADE) SZF SKYFLOW SYSTEM**

Z 90 / 3. ADAPTING BLINDS SZF/A



Name of the component		Colour
1.	Guide channels insert	03 - grey 20 - black

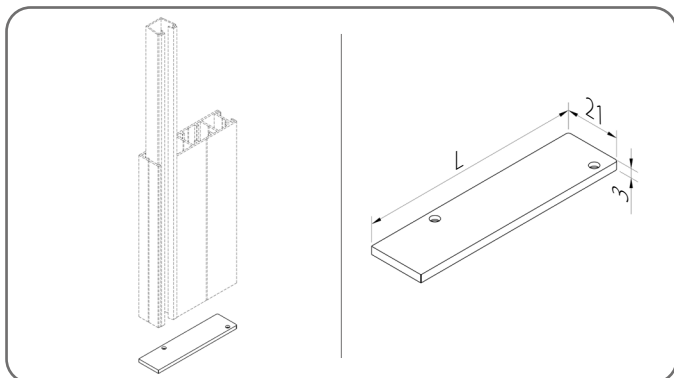
x	Colour	x	Colour	x	Colour	x	Colour
00	mill finish	21	black grey	34	quartz grey	80B	graphite grey
01	silver	22B	ultra white	37B	grey aluminium	82	alpine white
03B	grey	23B	anthracite grey	45	beige satin	IK	different colour
09	brown	29	light beige	73B	mouse grey		
16B	ivory	31B	light grey	74B	copper bronze		
20B	black	33	basalt grey	75B	metallic grey		

**CATALOGUE - TECHNICAL GUIDE FOR EXTERNAL
VENETIAN BLINDS (FACADE) SZF SkyFLOW SYSTEM**

Z 90 / 3. ADAPTING BLINDS SZF/A

3.7.5.1. Guide channel side lock

For guide channels type PT

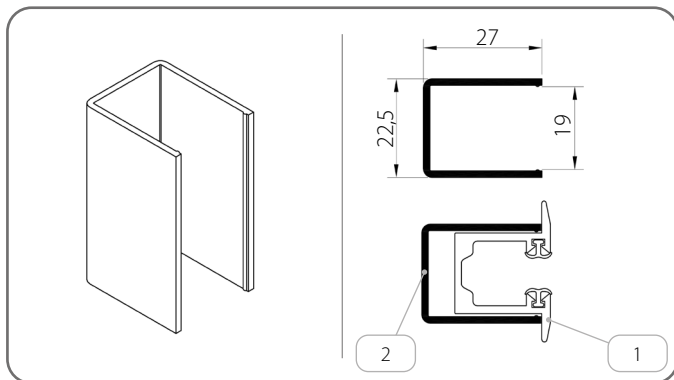


	Catalogue code	L [mm]
1.	ZPT02/x	83,5
2.	ZPT03/x	113
3.	ZPT02_Z/x	83,5
4.	ZPT03_Z/x	113,5

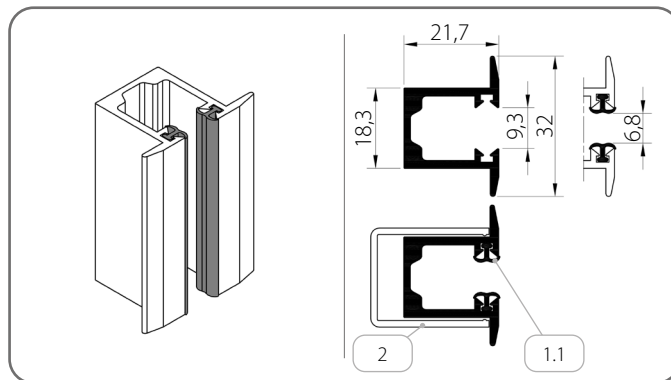
x	Colour	x	Colour	x	Colour	x	Colour
00	mill finish	21	black grey	34	quartz grey	80B	graphite grey
01	silver	22B	ultra white	37B	grey aluminium	82	alpine white
03B	grey	23B	anthracite grey	45	beige satin	IK	different colour
09	brown	29	light beige	73B	mouse grey		
16B	ivory	31B	light grey	74B	copper bronze		
20B	black	33	basalt grey	75B	metallic grey		

3.7.6. Guide channels - Group VI

K/PU/P/T1 SZF



PU/P/T1 SZF/x

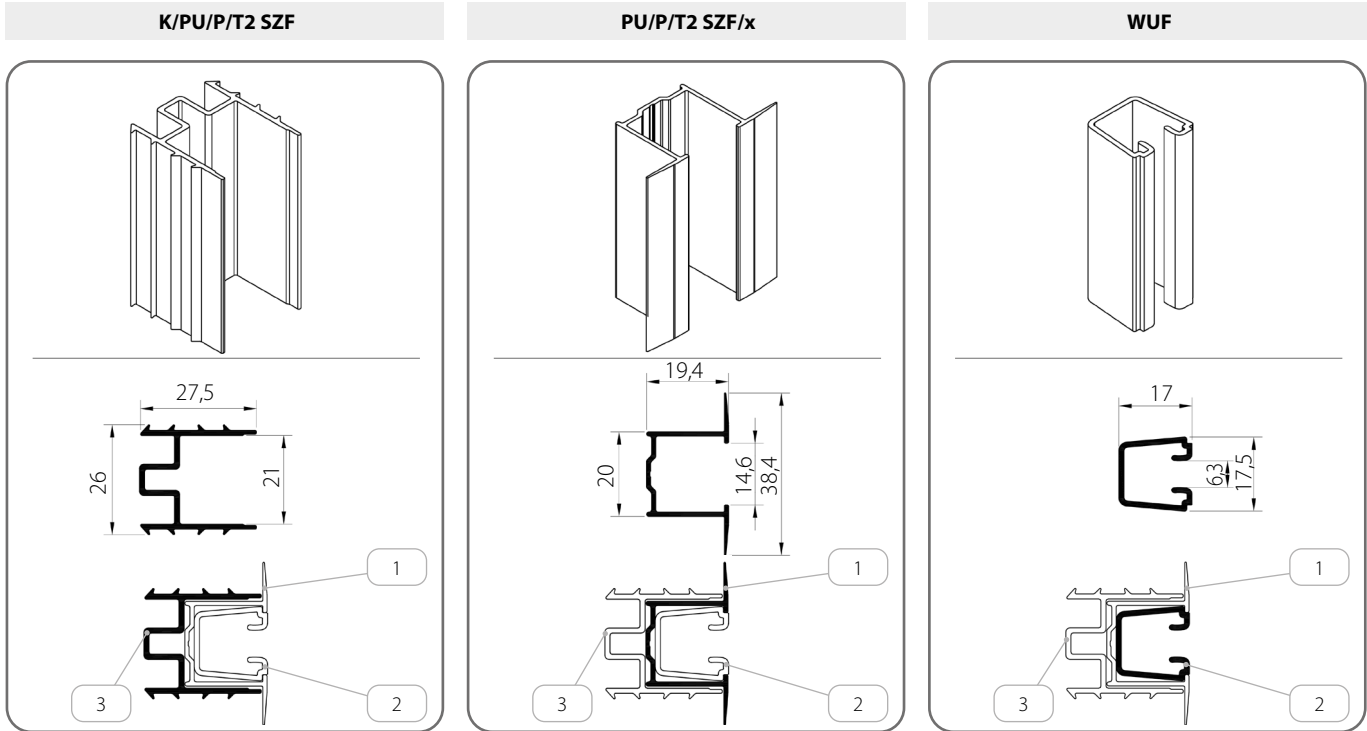


	Name of the component	Colour	Catalogue code
1.	Under plaster simple guide channel	x	PU/P/T1 SZF/x
1.1.	Damping seal	20 - black	-
2.	Under plaster simple guide channel pocket	-	K/PU/P/T1 SZF

x	Colour	x	Colour	x	Colour	x	Colour
00	mill finish	21	black grey	34	quartz grey	80B	graphite grey
01	silver	22B	ultra white	37B	grey aluminium	82	alpine white
03B	grey	23B	anthracite grey	45	beige satin	IK	different colour
09	brown	29	light beige	73B	mouse grey		
16B	ivory	31B	light grey	74B	copper bronze		
20B	black	33	basalt grey	75B	metallic grey		

**CATALOGUE - TECHNICAL GUIDE FOR EXTERNAL
VENETIAN BLINDS (FACADE) SZF SKYFLOW SYSTEM**

Z 90 / 3. ADAPTING BLINDS SZF/A

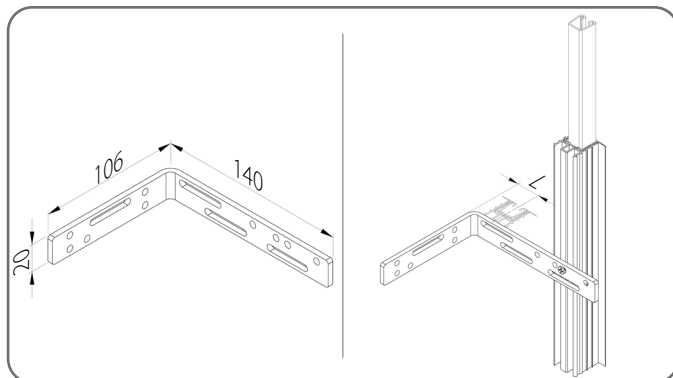


	Name of the component	Colour	Catalogue code
1.	Under plaster simple guide channel	x	PU/P/T2 SZF/x
2.	Guide channels insert	20 - black	WUF
3.	Under plaster simple guide channel pocket	-	K/PU/P/T2 SZF

x	Colour	x	Colour	x	Colour	x	Colour
00	mill finish	21	black grey	34	quartz grey	80B	graphite grey
01	silver	22B	ultra white	37B	grey aluminium	82	alpine white
03B	grey	23B	anthracite grey	45	beige satin	IK	different colour
09	brown	29	light beige	73B	mouse grey		
16B	ivory	31B	light grey	74B	copper bronze		
20B	black	33	basalt grey	75B	metallic grey		

3.7.6.1. Mounting angle

KMK/140x100



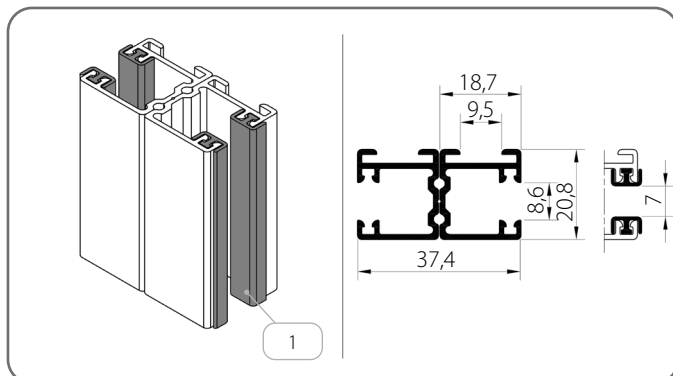
	Catalogue code	L [mm]
1.	KMK/140x100	15 - 130

	Blinds height [mm]	Number of angles [for 1 pcs guide channel]
1.	600 - 1600	2
2.	1601 - 2600	3
3.	2601 - 3600	4
4.	3601 - 4400	5

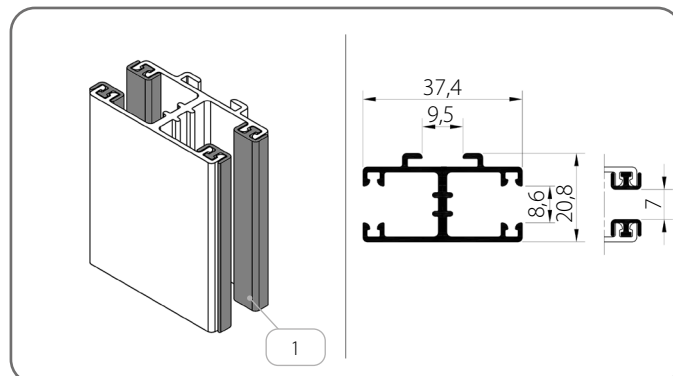
3.8. Division guide channels

3.8.1. Guide channels - I Group

PP SZF/2/x + PP SZF/2/x



PPD SZF/1/x

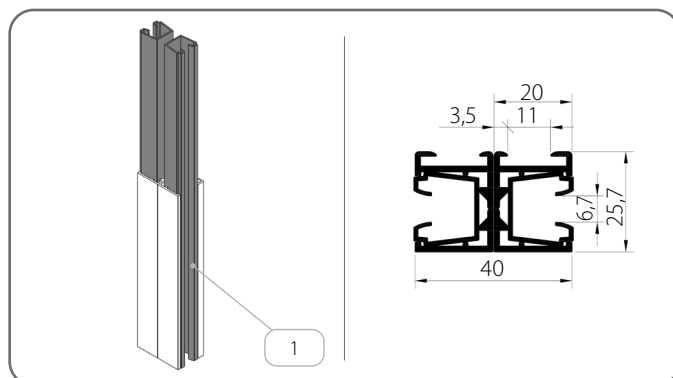


	Name of the component	Colour
1.	Damping seal	20 - black

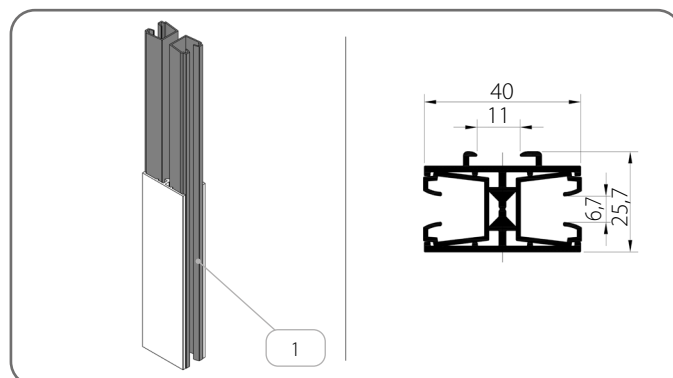
x	Colour	x	Colour	x	Colour	x	Colour
00	mill finish	21	black grey	34	quartz grey	80B	graphite grey
01	silver	22B	ultra white	37B	grey aluminium	82	alpine white
03B	grey	23B	anthracite grey	45	beige satin	IK	different colour
09	brown	29	light beige	73B	mouse grey		
16B	ivory	31B	light grey	74B	copper bronze		
20B	black	33	basalt grey	75B	metallic grey		

3.8.2. Guide channels - Group II

PP SZF/WUF_S/2/x + PP SZF/WUF_S/2/x



PPD SZF/WUF_S/1/x

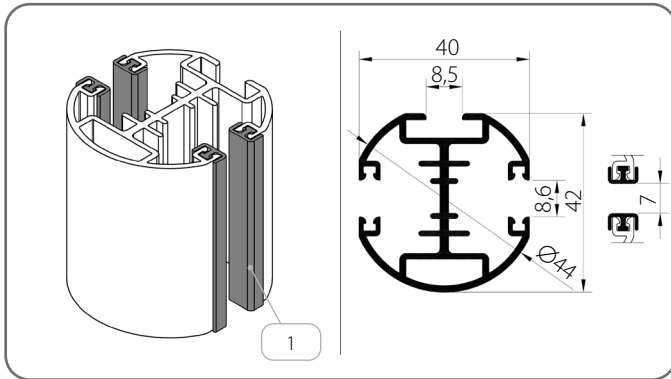


	Name of the component	Colour
1.	Guide channels insert	03 - grey 20 - black

x	Colour	x	Colour	x	Colour	x	Colour
00	mill finish	21	black grey	34	quartz grey	80B	graphite grey
01	silver	22B	ultra white	37B	grey aluminium	82	alpine white
03B	grey	23B	anthracite grey	45	beige satin	IK	different colour
09	brown	29	light beige	73B	mouse grey		
16B	ivory	31B	light grey	74B	copper bronze		
20B	black	33	basalt grey	75B	metallic grey		

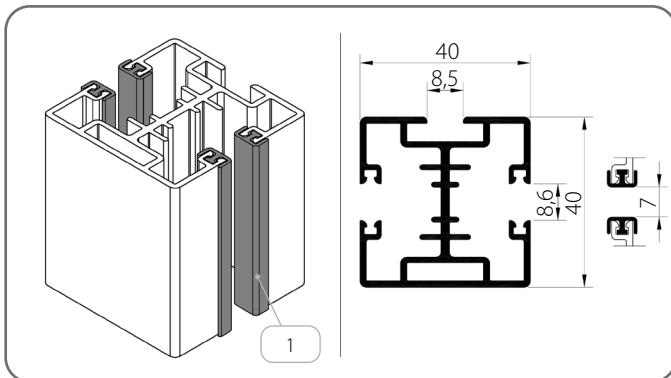
3.8.3. Guide channels - Group III

PPDO-P SZF/1/x



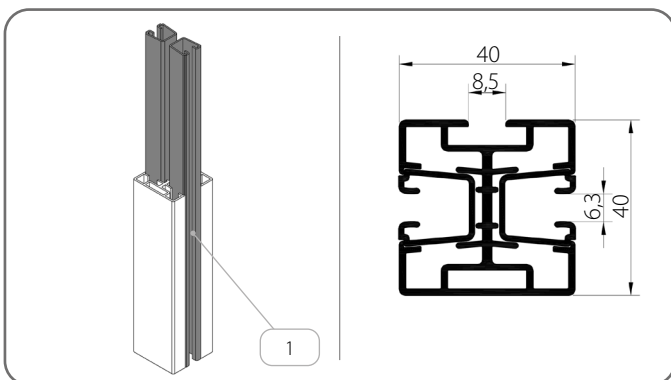
	Name of the component	Colour
1.	Guide channels insert	20 - black

PPD-P SZF/2/x



	Name of the component	Colour
1.	Guide channels insert	20 - black

PPD-P SZF/WUF/2/x



	Name of the component	Colour
1.	Guide channels insert	20 - black

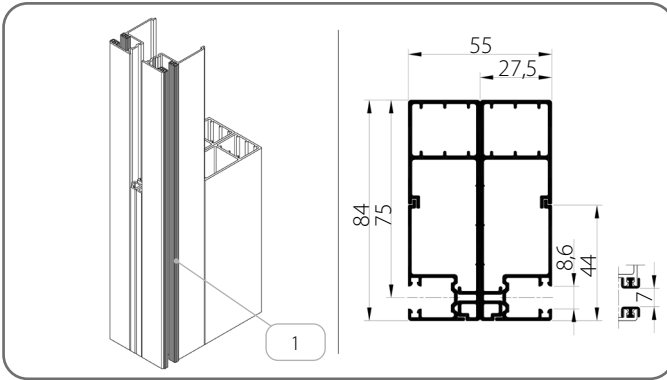
x	Colour	x	Colour	x	Colour	x	Colour
00	mill finish	21	black grey	34	quartz grey	80B	graphite grey
01	silver	22B	ultra white	37B	grey aluminium	82	alpine white
03B	grey	23B	anthracite grey	45	beige satin	IK	different colour
09	brown	29	light beige	73B	mouse grey		
16B	ivory	31B	light grey	74B	copper bronze		
20B	black	33	basalt grey	75B	metallic grey		

**CATALOGUE - TECHNICAL GUIDE FOR EXTERNAL
VENETIAN BLINDS (FACADE) SZF SkyFLOW SYSTEM**

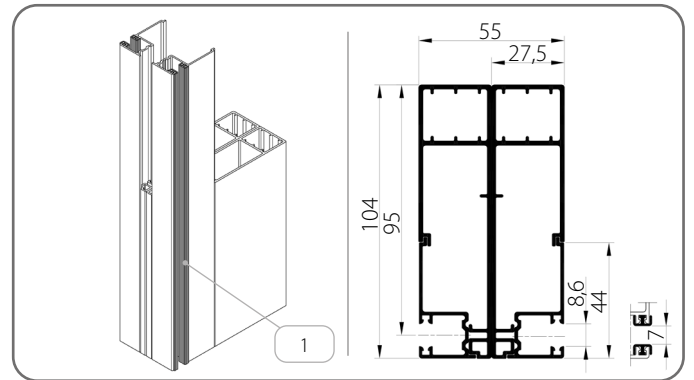
Z 90 / 3. ADAPTING BLINDS SZF/A

3.8.4. Guide channels - Group IV

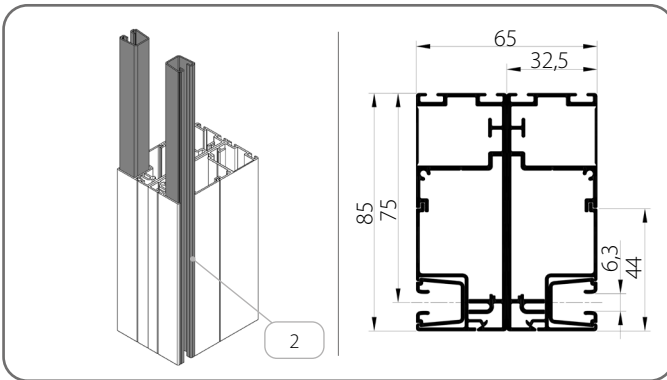
PBX/T1/84/x + PBX/T1/84/x



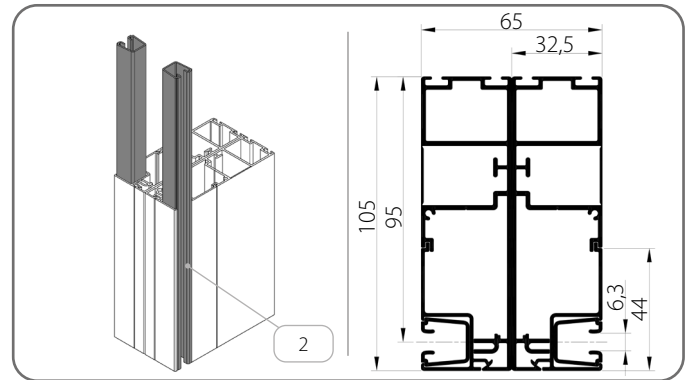
PBX/T1/104/x + PBX/T1/104/x



PBX/T2/85/x + PBX/T2/85/x



PBX/T2/105/x + PBX/T2/105/x

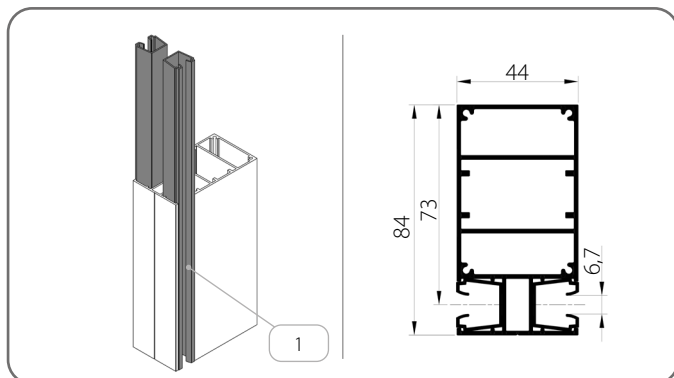


	Name of the component	Colour
1.	Damping seal	20 - black
2.	Guide channels insert	20 - black

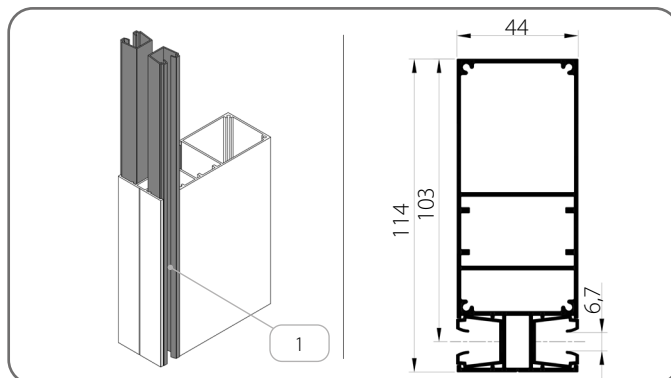
x	Colour	x	Colour	x	Colour	x	Colour
00	mill finish	21	black grey	34	quartz grey	80B	graphite grey
01	silver	22B	ultra white	37B	grey aluminium	82	alpine white
03B	grey	23B	anthracite grey	45	beige satin	IK	different colour
09	brown	29	light beige	73B	mouse grey		
16B	ivory	31B	light grey	74B	copper bronze		
20B	black	33	basalt grey	75B	metallic grey		

3.8.5. Guide channels - Group V

PT04/x



PT05/x

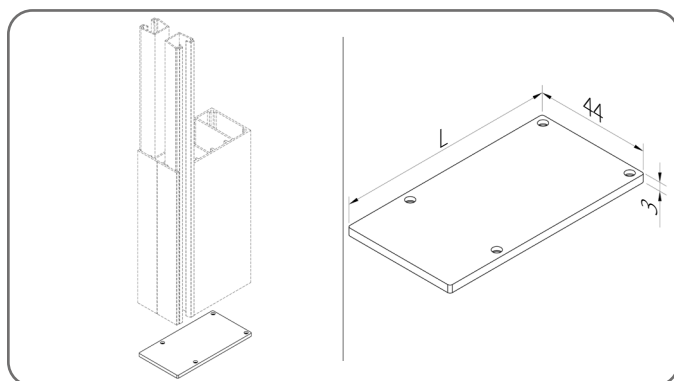


Name of the component		Colour
1.	Guide channels insert	03 - grey 20 - black

x	Colour	x	Colour	x	Colour	x	Colour
00	mill finish	21	black grey	34	quartz grey	80B	graphite grey
01	silver	22B	ultra white	37B	grey aluminium	82	alpine white
03B	grey	23B	anthracite grey	45	beige satin	IK	different colour
09	brown	29	light beige	73B	mouse grey		
16B	ivory	31B	light grey	74B	copper bronze		
20B	black	33	basalt grey	75B	metallic grey		

3.8.5.1. Guide channel side lock

For guide channels type PT



	Catalogue code	L [mm]
1.	ZPT04/x	83,5
2.	ZPT05/x	113,5

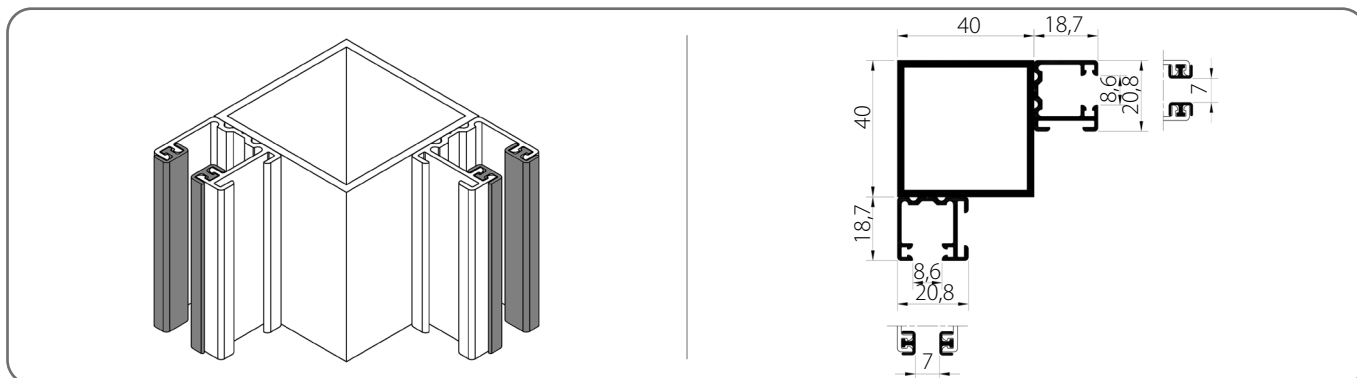
x	Colour	x	Colour	x	Colour	x	Colour
00	mill finish	21	black grey	34	quartz grey	80B	graphite grey
01	silver	22B	ultra white	37B	grey aluminium	82	alpine white
03B	grey	23B	anthracite grey	45	beige satin	IK	different colour
09	brown	29	light beige	73B	mouse grey		
16B	ivory	31B	light grey	74B	copper bronze		
20B	black	33	basalt grey	75B	metallic grey		

**CATALOGUE - TECHNICAL GUIDE FOR EXTERNAL
VENETIAN BLINDS (FACADE) SZF SkyFLOW SYSTEM**

Z 90 / 3. ADAPTING BLINDS SZF/A

3.8.6. Corner guide channels

RP/40x40x2/x + PP SZF/2/x

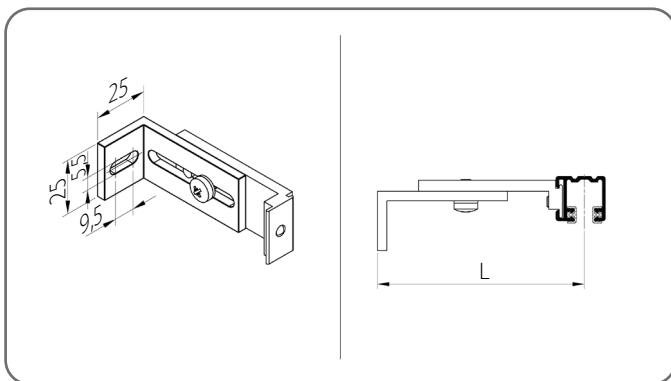


x	Colour	x	Colour	x	Colour	x	Colour
00	mill finish	21	black grey	34	quartz grey	80B	graphite grey
01	silver	22B	ultra white	37B	grey aluminium	82	alpine white
03B	grey	23B	anthracite grey	45	beige satin	IK	different colour
09	brown	29	light beige	73B	mouse grey		
16B	ivory	31B	light grey	74B	copper bronze		
20B	black	33	basalt grey	75B	metallic grey		

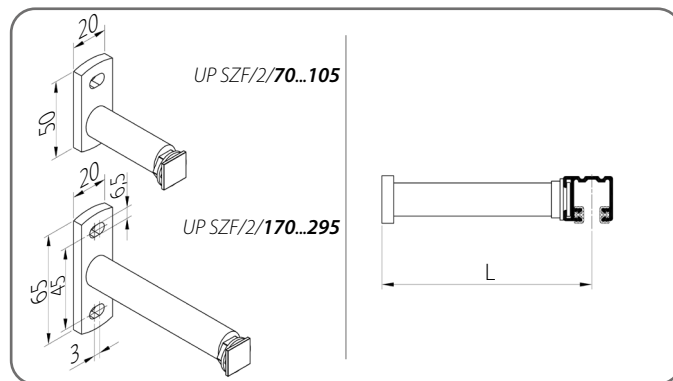
3.9. Guide channel handles

3.9.1. Guide channels - I Group

UP SZF/1



UP SZF/2



	Catalogue code	L [mm]
1.	UP SZF/1/70/x	50 - 70
2.	UP SZF/1/100/x	71 - 100
3.	UP SZF/1/145/x	101 - 145

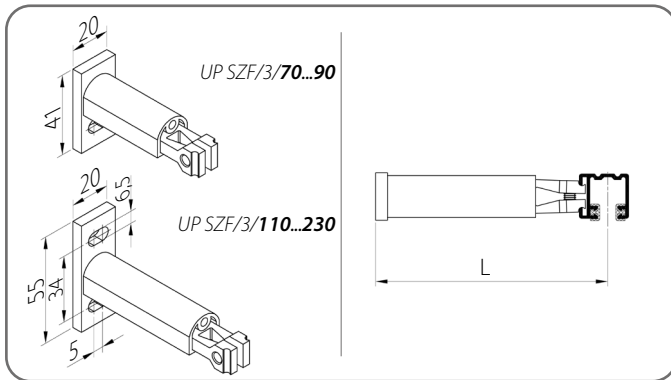
	Catalogue code	L [mm]
1.	UP SZF/2/70/x	50 - 70
2.	UP SZF/2/105/x	71 - 105
3.	UP SZF/2/170/x	106 - 170
4.	UP SZF/2/295/x	171 - 295

x	Colour	x	Colour	x	Colour	x	Colour
00	mill finish	21	black grey	34	quartz grey	80B	graphite grey
01	silver	22B	ultra white	37B	grey aluminium	82	alpine white
03B	grey	23B	anthracite grey	45	beige satin	IK	different colour
09	brown	29	light beige	73B	mouse grey		
16B	ivory	31B	light grey	74B	copper bronze		
20B	black	33	basalt grey	75B	metallic grey		

**CATALOGUE - TECHNICAL GUIDE FOR EXTERNAL
VENETIAN BLINDS (FACADE) SZF SKYFLOW SYSTEM**

Z 90 / 3. ADAPTING BLINDS SZF/A

UP SZF/3

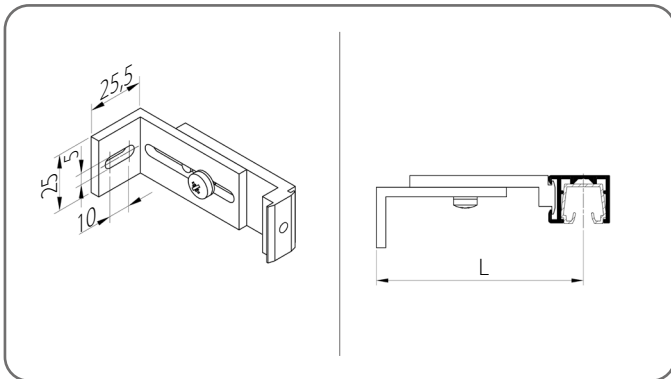


	Catalogue code	L [mm]
1.	UP SZF/3/70/x	60 - 70
2.	UP SZF/3/90/x	71 - 90
3.	UP SZF/3/110/x	91 - 110
4.	UP SZF/3/130/x	111 - 130
5.	UP SZF/3/150/x	131 - 150
6.	UP SZF/3/170/x	151 - 170
7.	UP SZF/3/190/x	171 - 190
8.	UP SZF/3/210/x	191 - 210
9.	UP SZF/3/230/x	211 - 230

x	Colour	x	Colour	x	Colour	x	Colour
00	mill finish	21	black grey	34	quartz grey	80B	graphite grey
01	silver	22B	ultra white	37B	grey aluminium	82	alpine white
03B	grey	23B	anthracite grey	45	beige satin	IK	different colour
09	brown	29	light beige	73B	mouse grey		
16B	ivory	31B	light grey	74B	copper bronze		
20B	black	33	basalt grey	75B	metallic grey		

3.9.2. Guide channels - Group II

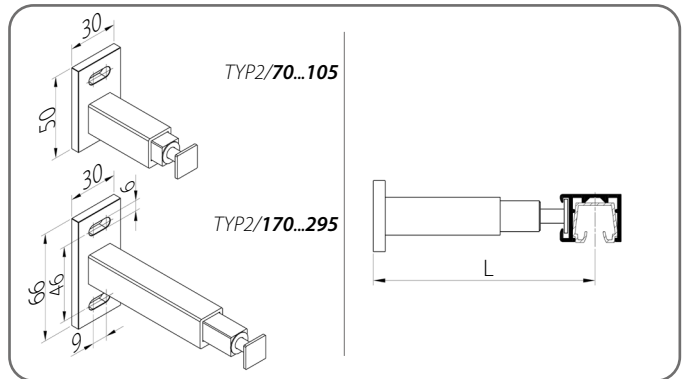
TYP 1



	Catalogue code	L [mm]
1.	TYP1/75/x	55 - 75
2.	TYP1/105/x	76 - 105
3.	TYP1/160/x	106 - 160

x	Colour	x	Colour
00	mill finish	21	black grey
01	silver	22B	ultra white
03B	grey	23B	anthracite grey
09	brown	29	light beige
16B	ivory	31B	light grey
20B	black	33	basalt grey

TYP 2

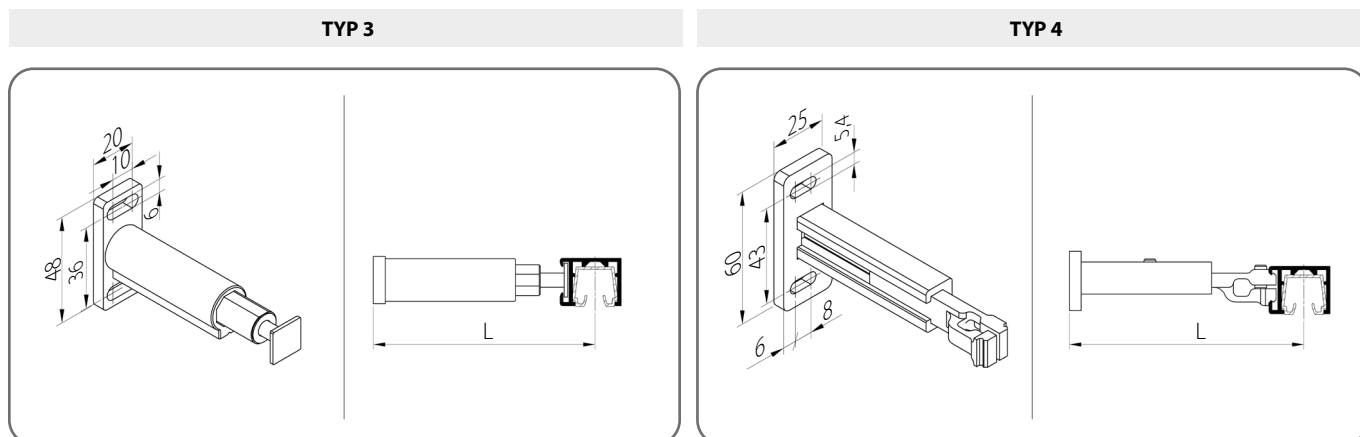


	Catalogue code	L [mm]
1.	TYP2/70/x	50 - 70
2.	TYP2/105/x	71 - 105
3.	TYP2/170/x	106 - 170
4.	TYP2/295/x	171 - 295

x	Colour	x	Colour
34	quartz grey	80B	graphite grey
37B	grey aluminium	82	alpine white
45	beige satin	IK	different colour
73B	mouse grey		
74B	copper bronze		
75B	metallic grey		

**CATALOGUE - TECHNICAL GUIDE FOR EXTERNAL
VENETIAN BLINDS (FACADE) SZF SkyFLOW SYSTEM**

Z 90 / 3. ADAPTING BLINDS SZF/A



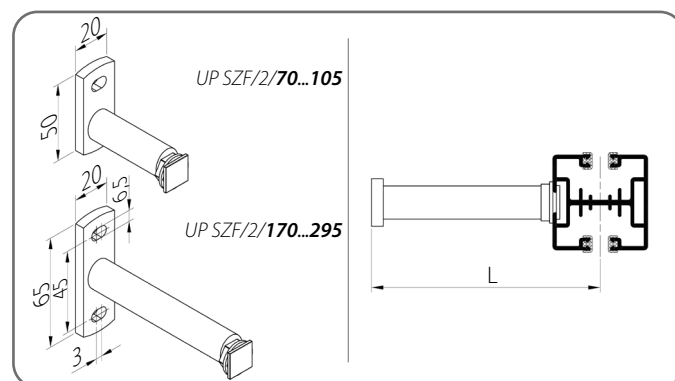
	Catalogue code	L [mm]
1.	TYP3/75/x	50 - 75
2.	TYP3/1/120/x	76 - 120

	Catalogue code	L [mm]
1.	TYP4/80/x	60 - 80
2.	TYP4/115/x	81 - 115
3.	TYP4/170/x	116 - 170

x	Colour	x	Colour	x	Colour	x	Colour
00	mill finish	21	black grey	34	quartz grey	80B	graphite grey
01	silver	22B	ultra white	37B	grey aluminium	82	alpine white
03B	grey	23B	anthracite grey	45	beige satin	IK	different colour
09	brown	29	light beige	73B	mouse grey		
16B	ivory	31B	light grey	74B	copper bronze		
20B	black	33	basalt grey	75B	metallic grey		

3.9.3. Guide channels - Group III

UP SZF/2

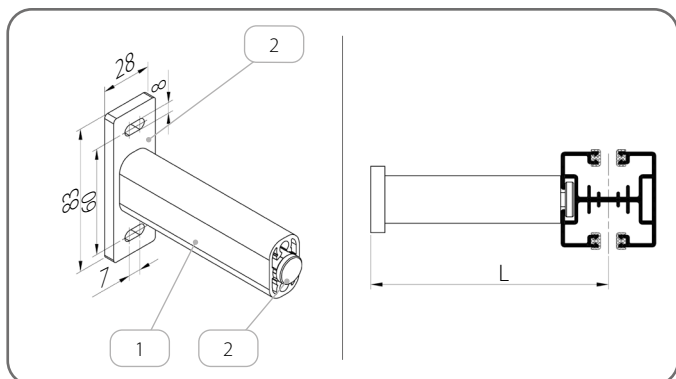


	Catalogue code	L [mm]
1.	UP SZF/2/70/x	58 - 78*
2.	UP SZF/2/105/x	79 - 113*
3.	UP SZF/2/170/x	114 - 178*
4.	UP SZF/2/295/x	179 - 303*

* Values changed due to the use of **PPD-P SZF/2** or **PPDO-P SZF/1** guide channels.

x	Colour	x	Colour	x	Colour	x	Colour
00	mill finish	21	black grey	34	quartz grey	80B	graphite grey
01	silver	22B	ultra white	37B	grey aluminium	82	alpine white
03B	grey	23B	anthracite grey	45	beige satin	IK	different colour
09	brown	29	light beige	73B	mouse grey		
16B	ivory	31B	light grey	74B	copper bronze		
20B	black	33	basalt grey	75B	metallic grey		

UP SZF/4/x



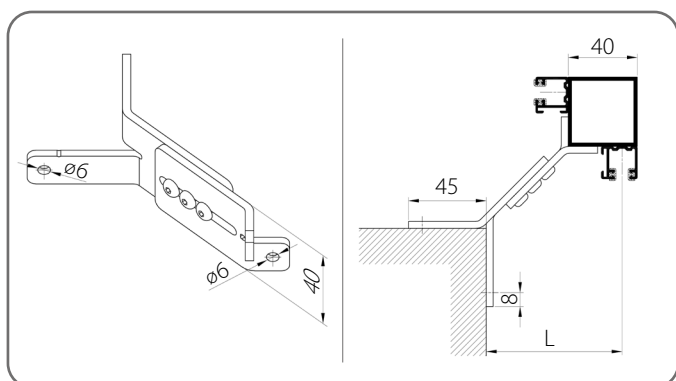
	Catalogue code	L [mm]
1.	UP SZF/4	75 - 200

	Name of the component	Catalogue code
1.	Telescopic handle profile	PUT SZF/x
2.	Telescopic handle set	ZUP SZF/4/x

x	Colour	x	Colour	x	Colour	x	Colour
00	mill finish	21	black grey	34	quartz grey	80B	graphite grey
01	silver	22B	ultra white	37B	grey aluminium	82	alpine white
03B	grey	23B	anthracite grey	45	beige satin	IK	different colour
09	brown	29	light beige	73B	mouse grey		
16B	ivory	31B	light grey	74B	copper bronze		
20B	black	33	basalt grey	75B	metallic grey		

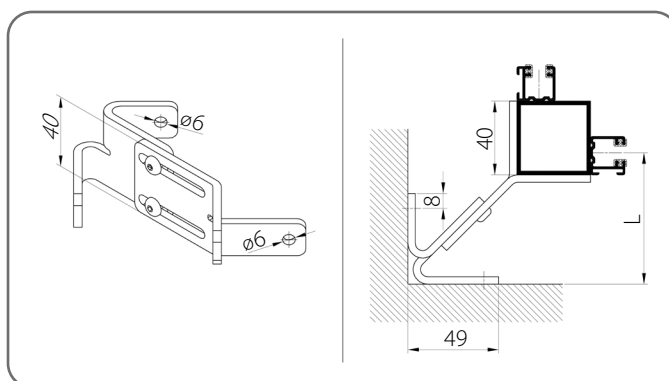
3.9.4. Corner handle

UP SZF/N/1




	Catalogue code	L [mm]
1.	UP SZF/N/1/80/x	75 - 85
2.	UP SZF/N/1/100/x	86 - 105
3.	UP SZF/N/1/140/x	106 - 145

UP SZF/N/2



	Catalogue code	L [mm]
1.	UP SZF/N/2/80/x	50 - 60
2.	UP SZF/N/2/100/x	61 - 80
3.	UP SZF/N/2/140/x	81 - 120


x **Colour**
AND anodised

 Corner solution available only with PP SZF/2 guides.

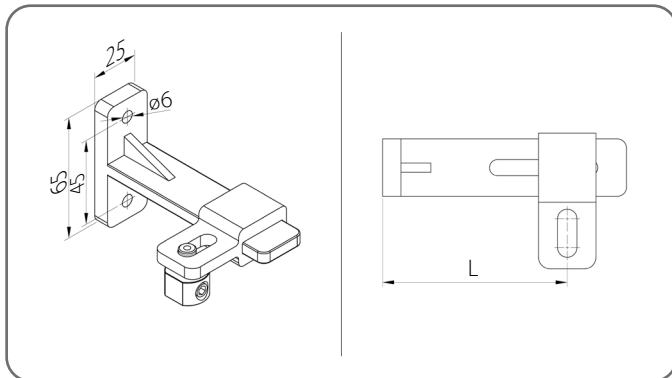
CATALOGUE - TECHNICAL GUIDE FOR EXTERNAL
VENETIAN BLINDS (FACADE) SZF SkyFLOW SYSTEM

Z 90 / 3. ADAPTING BLINDS SZF/A

3.10. Wire handles

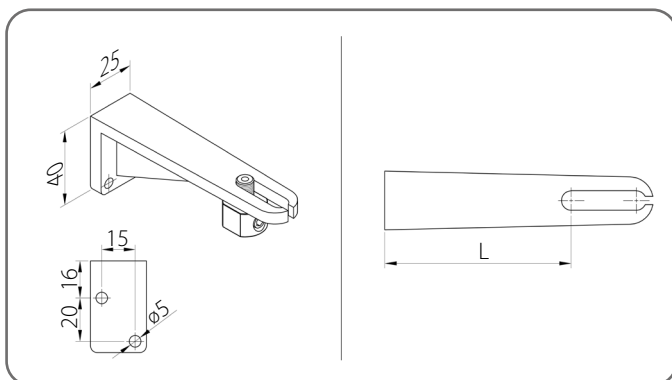
 All grips come with a tensioner.

UDL/1



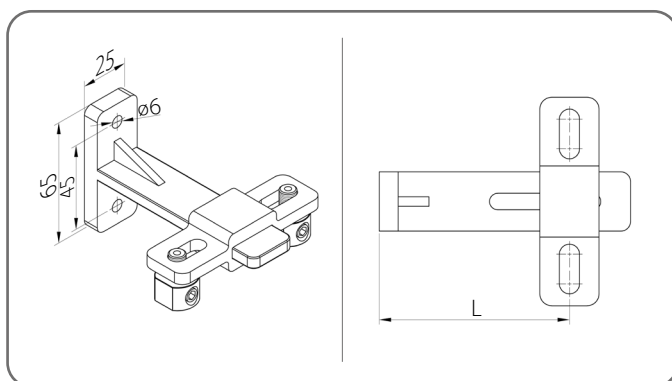
	Catalogue code	L [mm]
1.	UDL/1/90/x	50 - 90
2.	UDL/1/128/x	88 - 128
3.	UDL/1/165/x	125 - 165
4.	UDL/1/200/x	160 - 200

UDL/2



	Catalogue code	L [mm]
1.	UDL/2/50/x	29 - 50
2.	UDL/2/76/x	55 - 76
3.	UDL/2/104/x	83 - 104
4.	UDL/2/132/x	111 - 132
5.	UDL/2/160/x	139 - 160

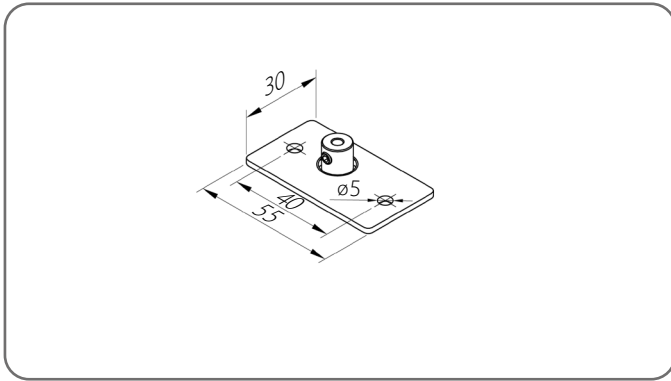
UDL/4



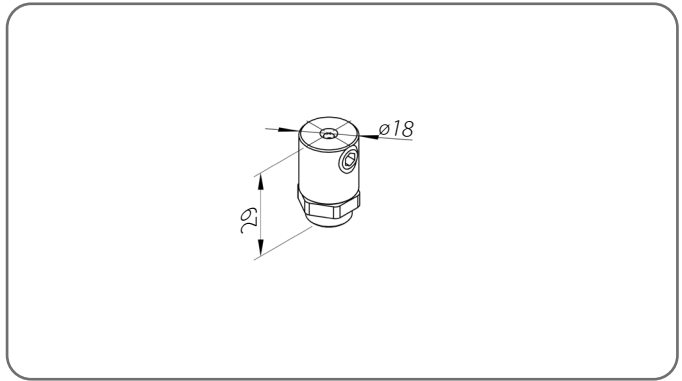
	Catalogue code	L [mm]
1.	UDL/4/90/x	50 - 90
2.	UDL/4/128/x	88 - 128
3.	UDL/4/165/x	125 - 165
4.	UDL/4/200/x	160 - 200

x	Colour	x	Colour	x	Colour	x	Colour
00	mill finish	21	black grey	34	quartz grey	80B	graphite grey
01	silver	22B	ultra white	37B	grey aluminium	82	alpine white
03B	grey	23B	anthracite grey	45	beige satin	IK	different colour
09	brown	29	light beige	73B	mouse grey		
16B	ivory	31B	light grey	74B	copper bronze		
20B	black	33	basalt grey	75B	metallic grey		

UDL/3/x




UDL/5



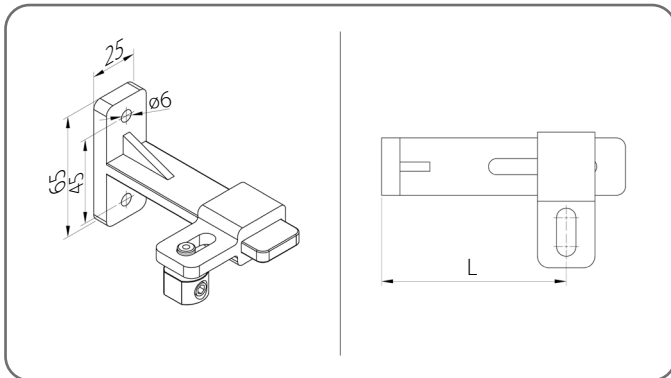
x Colour

AND anodised

3.10.1. Guide channel wire reinforcement

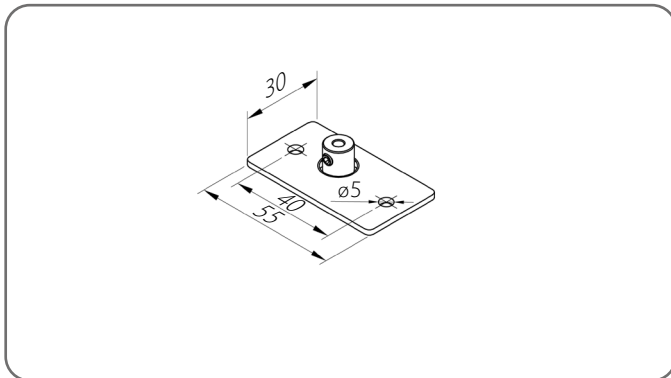
 All grips come with a tensioner.

UDL/1



	Catalogue code	L [mm]
1.	UDL/1/90/x	50 - 90
2.	UDL/1/128/x	88 - 128
3.	UDL/1/165/x	125 - 165
4.	UDL/1/200/x	160 - 200

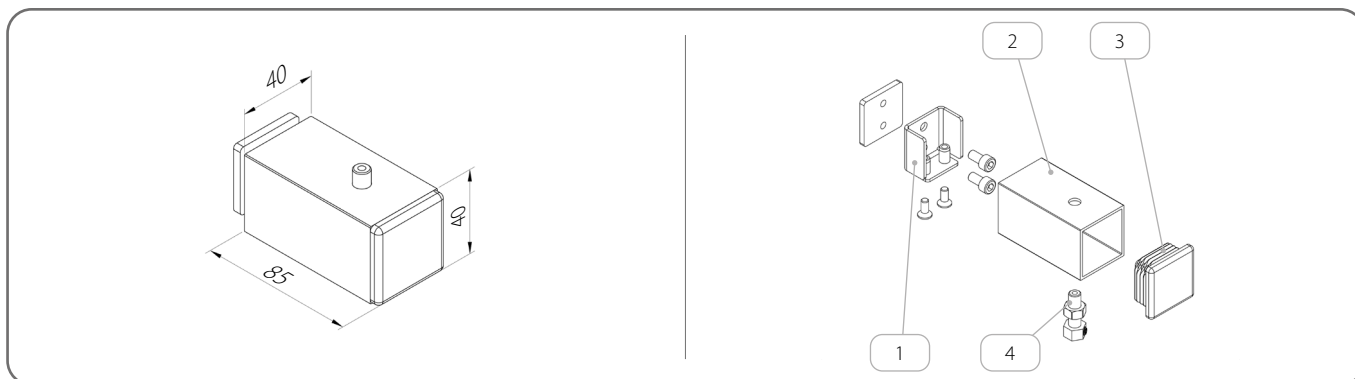
UDL/3/x



**CATALOGUE - TECHNICAL GUIDE FOR EXTERNAL
VENETIAN BLINDS (FACADE) SZF SkyFLOW SYSTEM**

Z 90 / 3. ADAPTING BLINDS SZF/A


WZLP/40x40x2/x



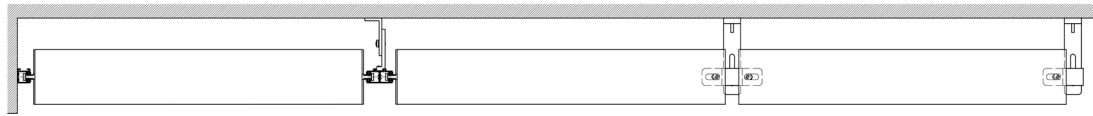
	Name of the component	Catalogue code	Colour
1.	Reinforcement fixing set	ZM/WZLP/40x40x2	
2.	Mounting profile	U/WZLP/40x40x2/x	<i>colour table x</i>
3.	Cap	Z/WZLP/40x40x2/x	02 - white 20B - black 23B - anthracite grey
4.	Cable tensioner	NLS	

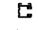
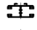
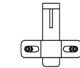
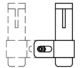


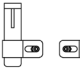



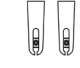
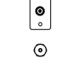

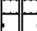
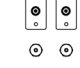

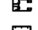
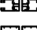




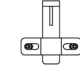
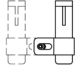


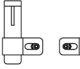




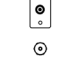
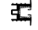
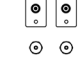


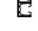

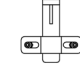
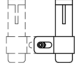


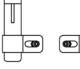
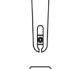



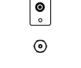


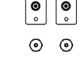

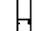


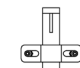
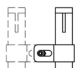
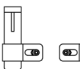

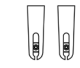
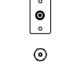
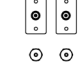


x	Colour	x	Colour	x	Colour	x	Colour
00	mill finish	21	black grey	34	quartz grey	80B	graphite grey
01	silver	22B	ultra white	37B	grey aluminium	82	alpine white
03B	grey	23B	anthracite grey	45	beige satin	IK	different colour
09	brown	29	light beige	73B	mouse grey		
16B	ivory	31B	light grey	74B	copper bronze		
20B	black	33	basalt grey	75B	metallic grey		

3.11. Blinds joining

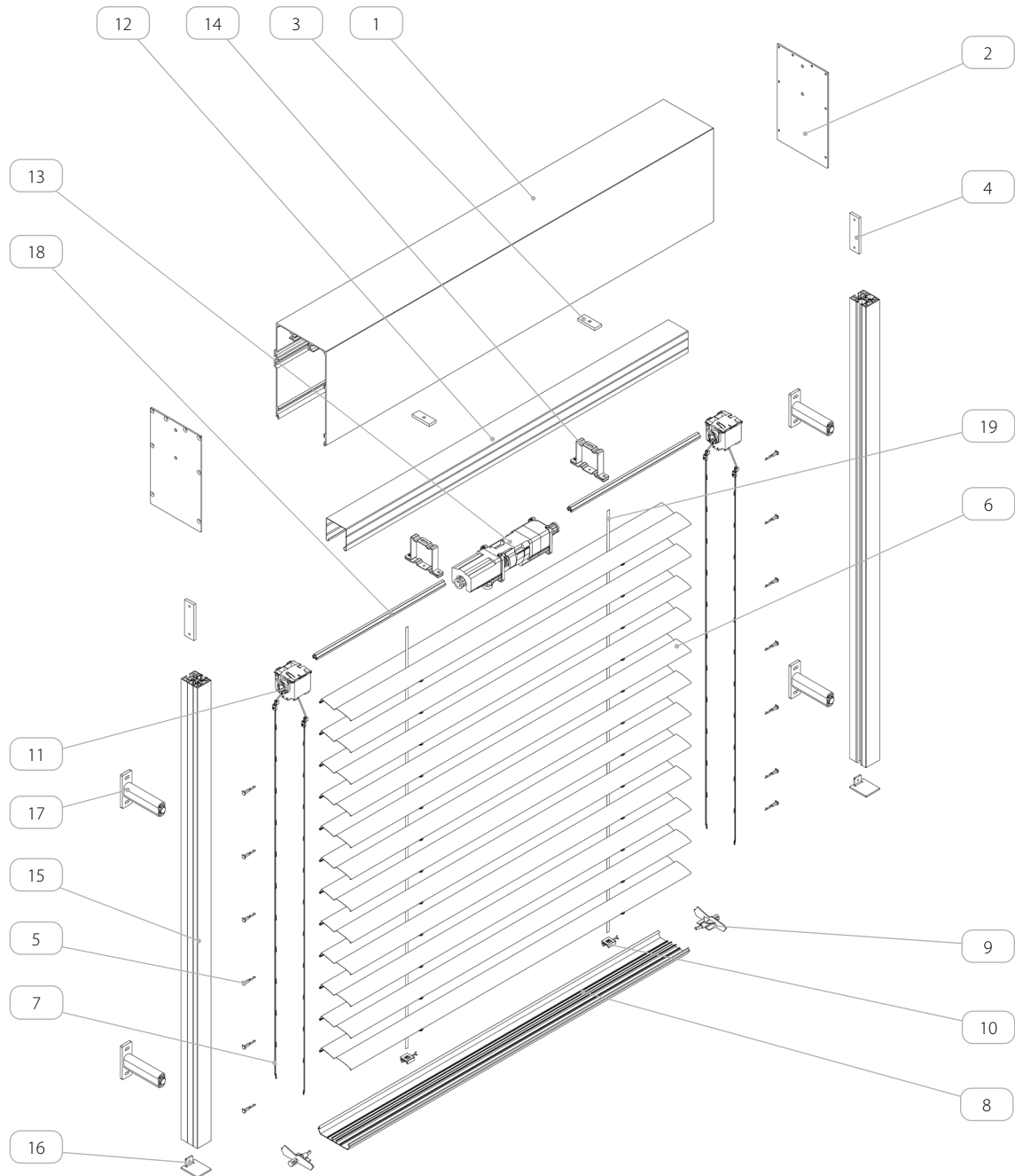
 A common drive for up to 3 blinds can be used.

The division of Venetian blinds



 PP SZF/2	 PPD SZF/1	 UDL/4	 UDL/1
 PPDO SZF/1	 PPDO-P SZF/1	 UDL/1 + UDL/1	 UDL/2
 PPD SZF/2	 PPD-P SZF/2	 UDL/2 + UDL/2	 UDL/3
 PBX/T1/84	 PBX/T1/84 + PBX/T1/84	 UDL/3 + UDL/3	 UDL/5
 PBX/T1/104	 PBX/T1/104 + PBX/T1/104	 UDL/5 + UDL/5	
	 PP SZF/2 + PP SZF/2		
 PPD SZF/WUF/2	 PPD-P SZF/WUF/2	 UDL/4	 UDL/1
 PBX/T2/85	 PBX/T2/85 + PBX/T2/85	 UDL/1 + UDL/1	 UDL/2
 PBX/T2/105	 PBX/T2/105 + PBX/T2/105	 UDL/2 + UDL/2	 UDL/3
 K/PU/P/T2 SZF + PU/P/T2 SZF + WUF		 UDL/3 + UDL/3	 UDL/5
		 UDL/5 + UDL/5	
 PP SZF/WUF_S/2	 PPD SZF/WUF_S/1	 UDL/4	 UDL/1
 PT02	 PT04	 UDL/1 + UDL/1	 UDL/2
 PT03	 PT05	 UDL/2 + UDL/2	 UDL/3
 PT02_Z	 PP SZF/WUF_S/2 + PP SZF/WUF_S/2	 UDL/3 + UDL/3	 UDL/5
 PT03_Z		 UDL/5 + UDL/5	
 K/PU/P/T1 SZF + PU/P/T1 SZF		 UDL/4	 UDL/1
		 UDL/1 + UDL/1	 UDL/2
		 UDL/2 + UDL/2	 UDL/3
		 UDL/3 + UDL/3	 UDL/5
		 UDL/5 + UDL/5	

4. SELF-SUPPORTING BLIND SZF/S



Name of the component	
1.	Box
2.	End cap
3.	Rail handle mounting bracket
4.	Guide channel mount
5.	Pin to Z 90
6.	Profile Z 90
7.	Ladder braid Z 90
8.	Bottom rail
9.	Blind for end slat
10.	Lift tape and end slat - connector
11.	Mechanism - 8 mm belt
12.	Steel rail - galvanised
13.	Drive
14.	Guide rail bracket
15.	Guide channel
16.	Guide channel side lock
17.	Guide channel handle
18.	Shaft 14 mm
19.	Strap 8 mm

4.1. General information



Where:

A - HEIGHT OF THE PACKAGE [mm]

B - BLINDS HEIGHT [mm]

C - COVER HEIGHT [mm]

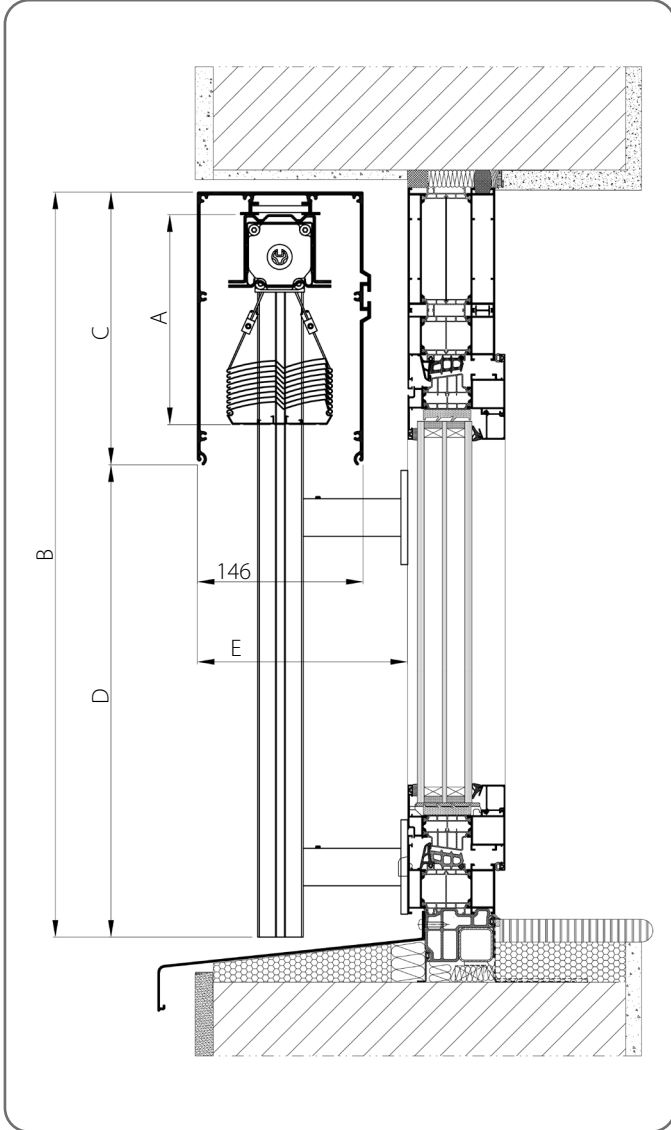
D - CLEAR HEIGHT [mm]

E - INSTALLATION DEPTH [mm]

M - WIDTH OF THE PACKAGE / SLAT [mm]

N - VENETIAN BLIND WIDTH [mm]

The measurement and installation of the venetian blind should be performed by a qualified installer.

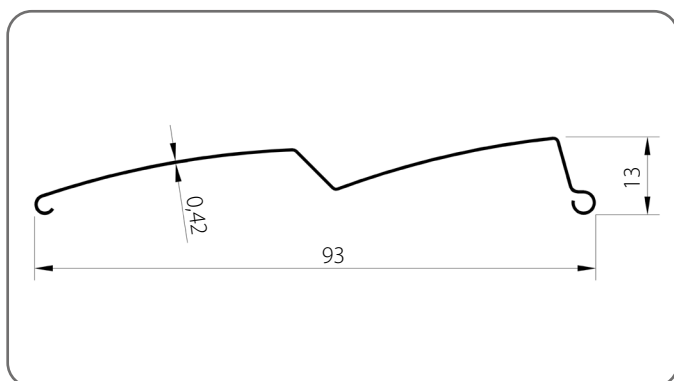


	A [mm]	B [mm]	Blind with guide channel		Venetian blind with cable reinforcement	
			C [mm]	D [mm]	C [mm]	D [mm]
1.	130	600 - 800				
2.	140	801 - 1000				
3.	160	1001 - 1200				
4.	170	1201 - 1400	240	360 - 1760	240	360 - 1760
5.	190	1401 - 1600				
6.	200	1601 - 1800				
7.	220	1801 - 2000				
8.	230	2001 - 2200				
9.	250	2201 - 2400				
10.	260	2401 - 2600				
11.	270	2601 - 2800	330	1671 - 3070	330	1671 - 3070
12.	290	2801 - 3000				
13.	300	3001 - 3200				
14.	310	3201 - 3400				
15.	330	3401 - 3600				
16.	340	3601 - 3800	390	3011 - 3610	390	3011 - 3610
17.	360	3801 - 4000				

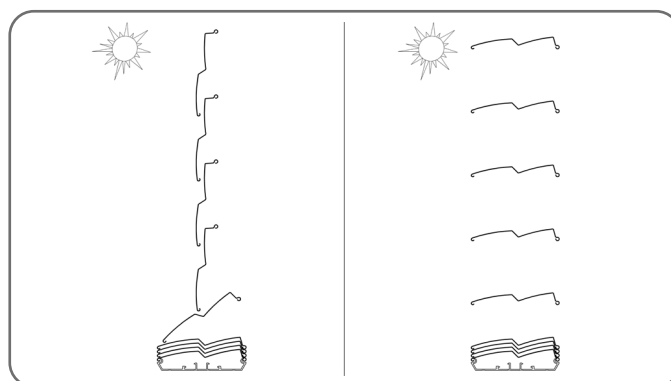
**CATALOGUE - TECHNICAL GUIDE FOR EXTERNAL
VENETIAN BLINDS (FACADE) SZF SkyFLOW SYSTEM**

Z 90 / 4. SELF-SUPPORTING BLIND SZF/S

Slat Z 90/x

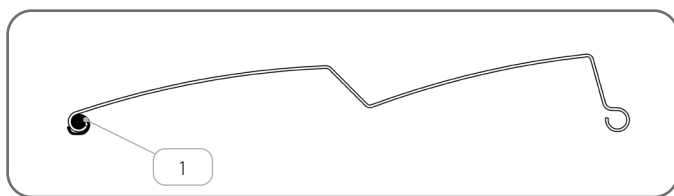


Slats rotation range - 90°



x	Colour	x	Colour	x	Colour	x	Colour
01	silver	21	black grey	33	basalt grey	74B	copper bronze
03B	grey	22B	ultra white	34	quartz grey	75B	metallic grey
09	brown	23B	anthracite grey	37B	grey aluminium	80B	graphite grey
16B	ivory	29	light beige	45	beige satin	82	alpine white
20B	black	31B	light grey	73B	mouse grey		

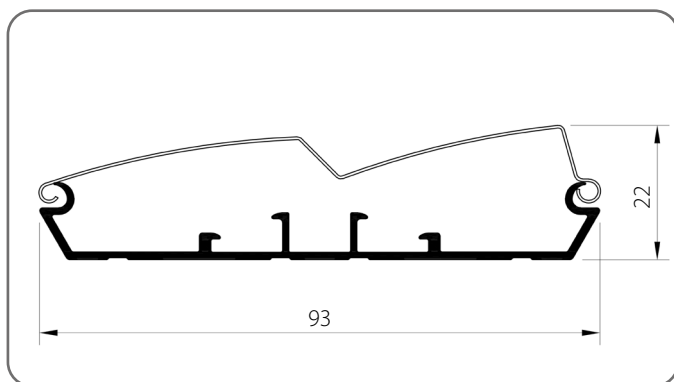
Slat soundproofing seal



	Name of the component	Catalogue code
1.	Slat soundproofing seal	UWZ90/x

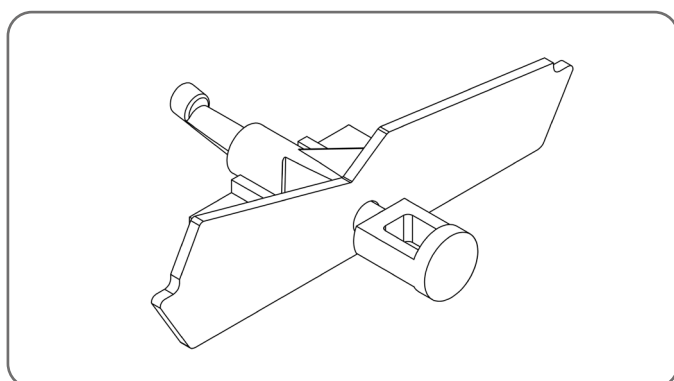
x	Colour
03	grey

Open end slat BOA/Z90/x



x	Colour	x	Colour
00	mill finish	33	basalt grey
01	silver	34	quartz grey
03B	grey	37B	grey aluminium
09	brown	45	beige satin
16B	ivory	73B	mouse grey
20B	black	74B	copper bronze
21	black grey	75B	metallic grey
22B	ultra white	80B	graphite grey
23B	anthracite grey	82	alpine white
29	light beige	IK	different colour
31B	light grey		

End slat blind Z BOA/Z90/x

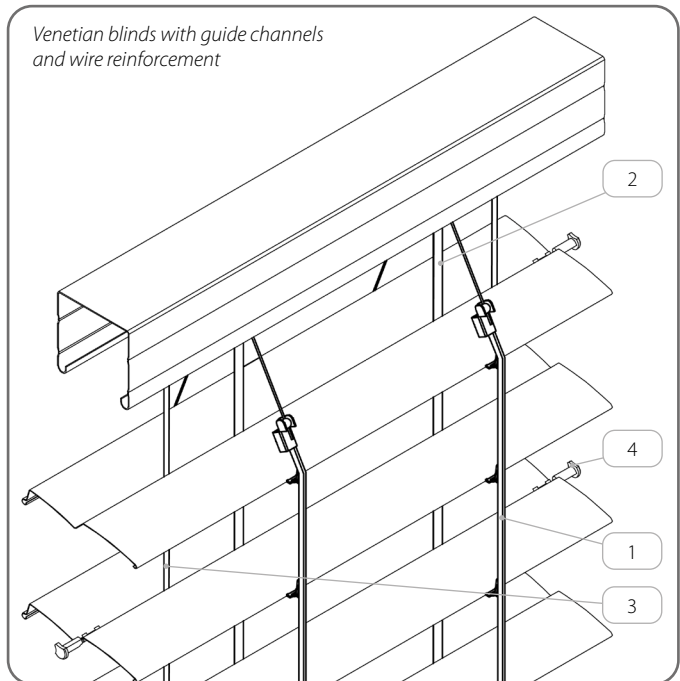
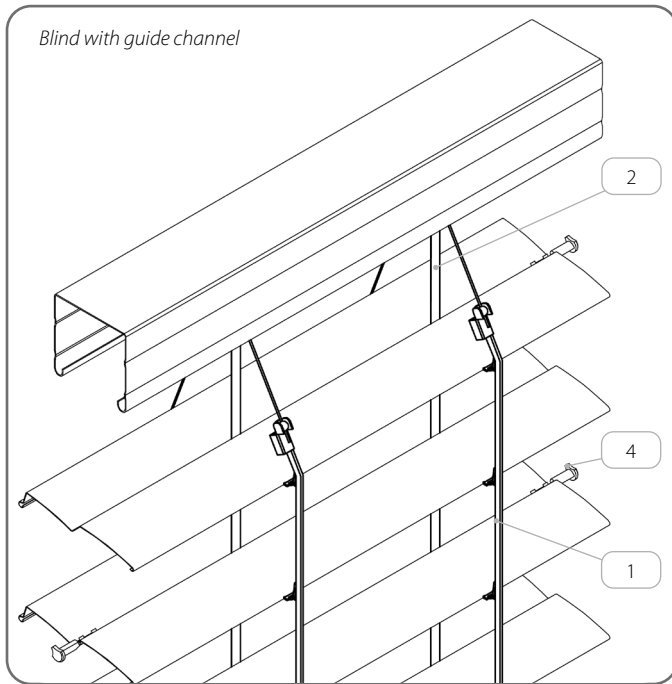


x	Colour
03	grey
20	black

**CATALOGUE - TECHNICAL GUIDE FOR EXTERNAL
VENETIAN BLINDS (FACADE) SZF SKYFLOW SYSTEM**

Z 90 / 4. SELF-SUPPORTING BLIND SZF/S

Additional accessories



	Name of the component	Catalogue code
1.	Ladder braid Z 90	D/Z90/x
2.	Strap 8 mm	P SZF/8/x
3.	Steel wire Ø 3, PVC coated	LS SZF/3/x
4.	Pin to Z 90 - steel	P/S/Z90

x **Colour**

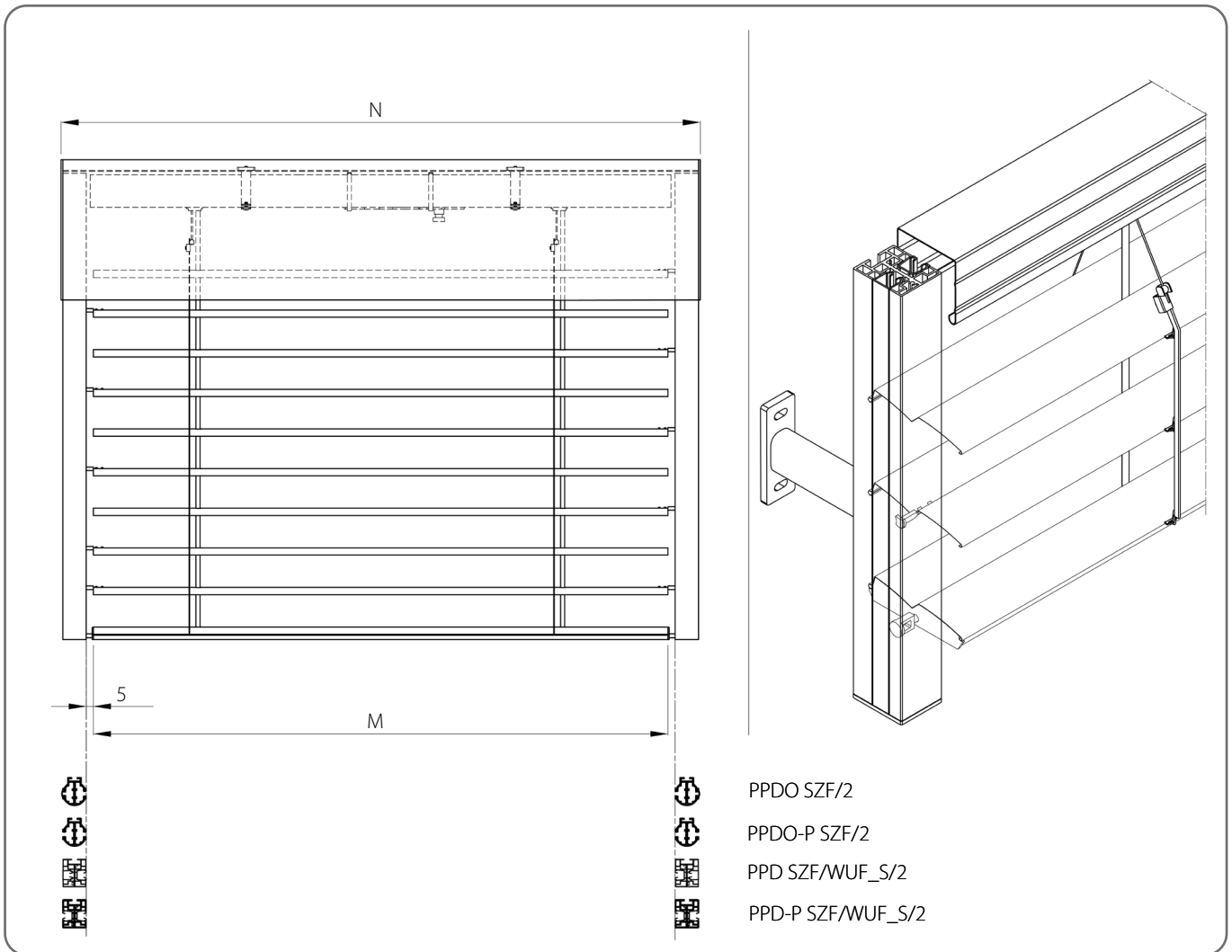
03 grey

20 black



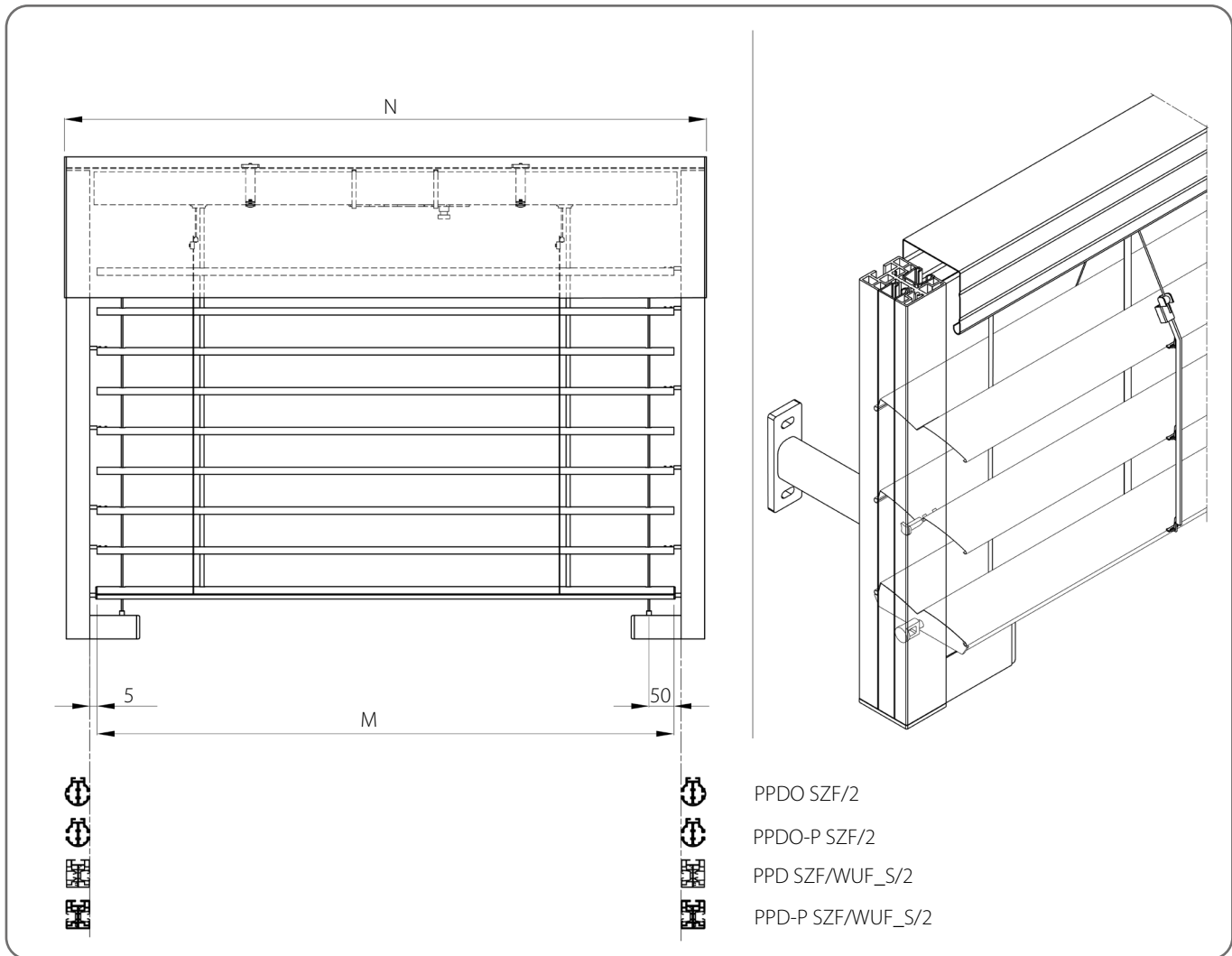
Pins are mounted on every other slat for Venetian blinds with guide channels.

4.1.1. Blind with guide channel



Technical specifications									
Minimum		Maximum		Maximum surface [m ²]	Corner blinds	Electric drive	Motor with emergency opening	Manual drive	Installation
Width [mm]	Height [mm]	Width [mm]	Height [mm]						
600	600	4500	4000	18	NO	YES	YES	YES	External

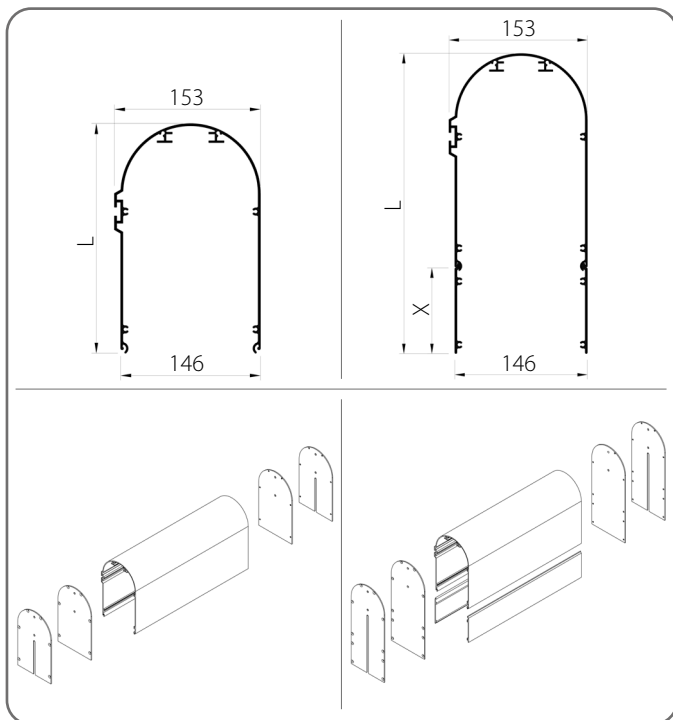
4.1.2. Venetian blinds with guide channels and wire reinforcement



Technical specifications									
Minimum		Maximum		Maximum surface [m ²]	Corner blinds	Electric drive	Motor with emergency opening	Manual drive	Installation
Width [mm]	Height [mm]	Width [mm]	Height [mm]						
600	600	5000	4000	20	NO	YES	YES	YES	External

4.2. Box

Rounded box Oval

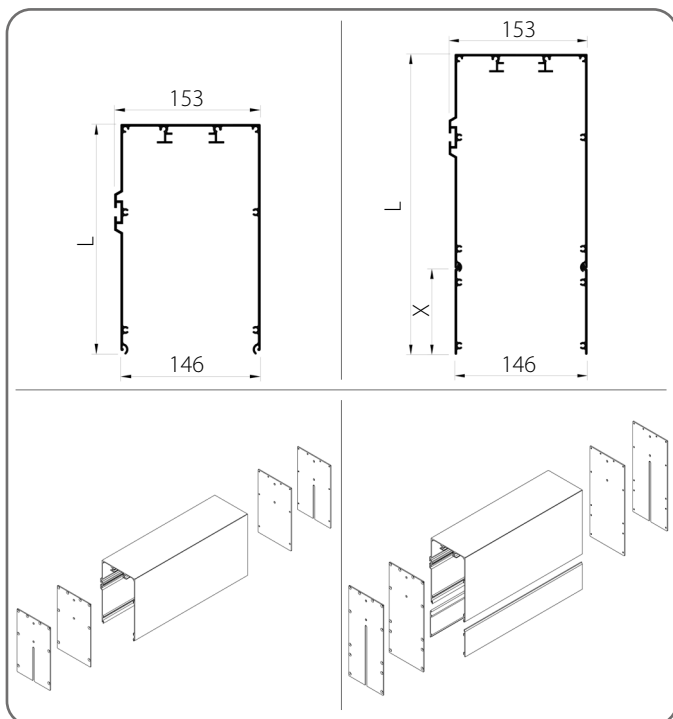


	L [mm]	X [mm]
1.	241	-
2.	337	100
3.	397	160

x	Colour	x	Colour
00	mill finish	33	basalt grey
01	silver	34	quartz grey
03B	grey	37B	grey aluminium
09	brown	45	beige satin
16B	ivory	73B	mouse grey
20B	black	74B	copper bronze
21	black grey	75B	metallic grey
22B	ultra white	80B	graphite grey
23B	anthracite grey	82	alpine white
29	light beige	IK	different colour
31B	light grey		

Maximum width for a single element - 6 m.

Square box Cube



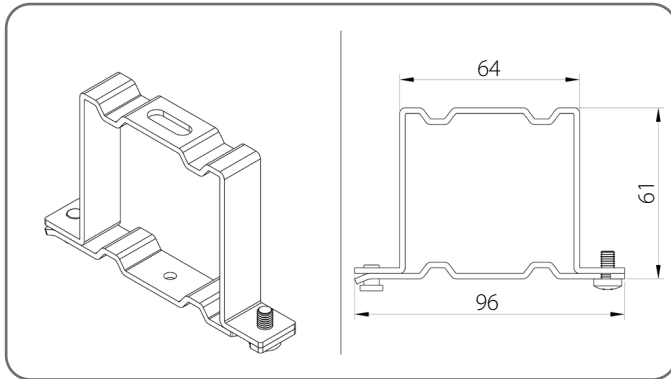
	L [mm]	X [mm]
1.	241	-
2.	337	100
3.	397	160

x	Colour	x	Colour
00	mill finish	33	basalt grey
01	silver	34	quartz grey
03B	grey	37B	grey aluminium
09	brown	45	beige satin
16B	ivory	73B	mouse grey
20B	black	74B	copper bronze
21	black grey	75B	metallic grey
22B	ultra white	80B	graphite grey
23B	anthracite grey	82	alpine white
29	light beige	IK	different colour
31B	light grey		

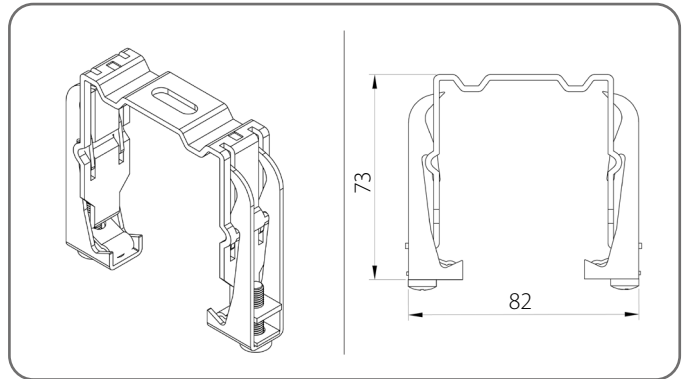
Maximum width for a single element - 6 m.

4.3. Top guide rail bracket

Standard guide rail bracket - US/A



Springy guide rail bracket - US/B



Number of top rail handles

Venetian blind width [mm]	600 - 1600	1601 - 2400	2401 - 3200	3201 - 4000	4001 - 4500	4501 - 5000
Quantity	2	3	4	5	6	7

4.4. Other information

Blinds height [mm]	Slat width [mm]						
600 - 2500	1400	2400	3400	4400	5000	-	-
2501 - 3000	1300	2200	3100	4000	4900	5000	-
3001 - 4500	1200	2000	2800	3600	4400	5000	-
4501 - 5000	1100	1800	2500	3200	3900	4600	5000
Number of strap mechanisms	2	3	4	5	6	7	8

Guide channel handle

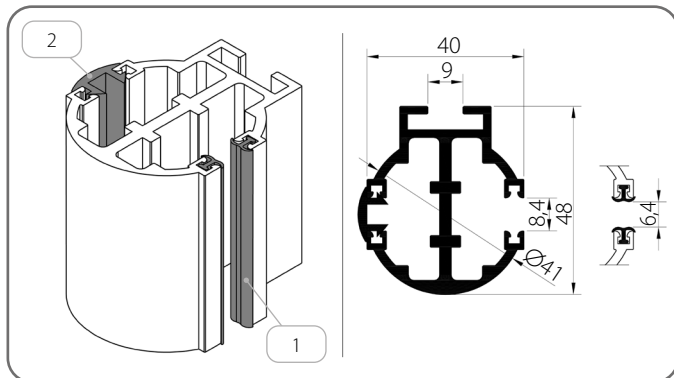
Blinds height [mm]	600 - 1600	1601 - 2600	2601 - 3600	3601 - 4400
Number of handles [for 1 pcs guide channel]	2	3	4	5

**CATALOGUE - TECHNICAL GUIDE FOR EXTERNAL
VENETIAN BLINDS (FACADE) SZF SkyFLOW SYSTEM**

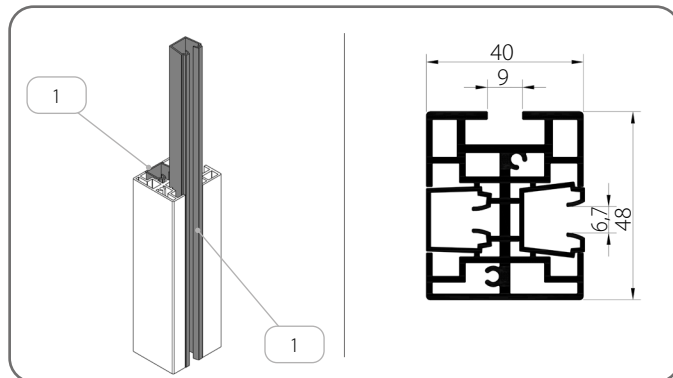
Z 90 / 4. SELF-SUPPORTING BLIND SZF/S

4.5. Guide channels

PPDO SZF/2/x



PPD SZF/WUF_S/2/x



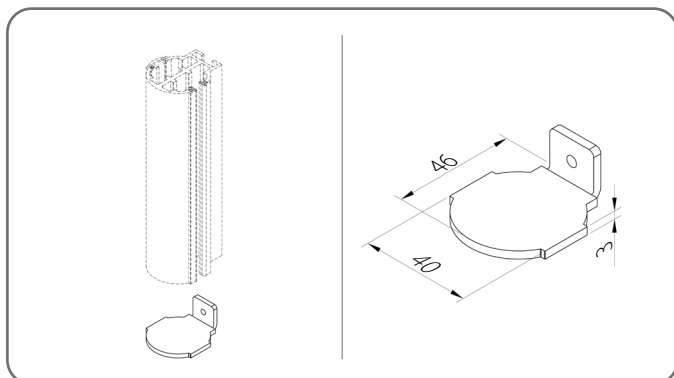
	Name of the component	Colour
1.	Damping seal	20 - black
2.	Masking seal	03 - grey 20 - black

	Name of the component	Colour
1.	Guide channels insert	03 - grey 20 - black

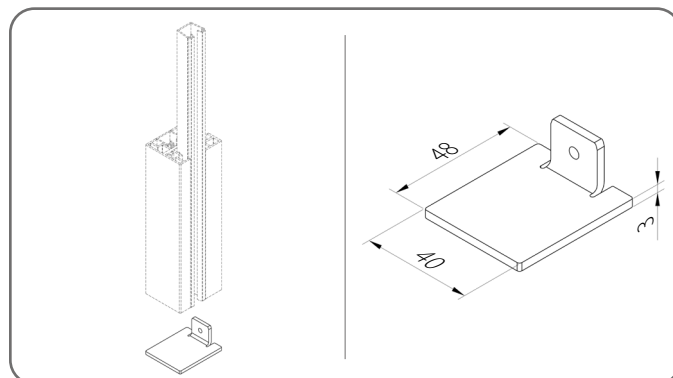
x	Colour	x	Colour	x	Colour	x	Colour
00	mill finish	21	black grey	34	quartz grey	80B	graphite grey
01	silver	22B	ultra white	37B	grey aluminium	82	alpine white
03B	grey	23B	anthracite grey	45	beige satin	IK	different colour
09	brown	29	light beige	73B	mouse grey		
16B	ivory	31B	light grey	74B	copper bronze		
20B	black	33	basalt grey	75B	metallic grey		

4.5.1. Guide channel side lock

ZPPDO SZF/2/x



ZPPD SZF/WUF_S/2/x



x	Colour	x	Colour	x	Colour	x	Colour
00	mill finish	21	black grey	34	quartz grey	80B	graphite grey
01	silver	22B	ultra white	37B	grey aluminium	82	alpine white
03B	grey	23B	anthracite grey	45	beige satin	IK	different colour
09	brown	29	light beige	73B	mouse grey		
16B	ivory	31B	light grey	74B	copper bronze		
20B	black	33	basalt grey	75B	metallic grey		

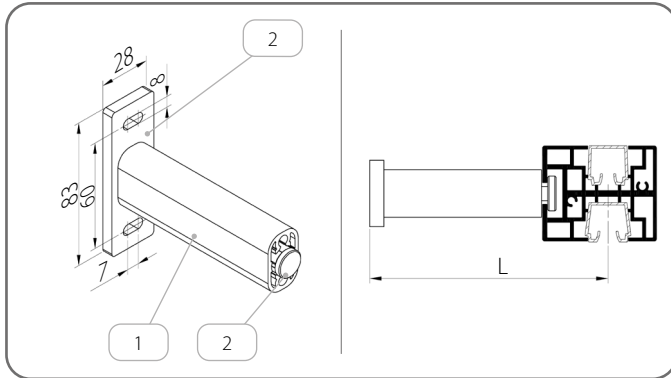
Aluminium side lock.

**CATALOGUE - TECHNICAL GUIDE FOR EXTERNAL
VENETIAN BLINDS (FACADE) SZF SKYFLOW SYSTEM**

Z 90 / 4. SELF-SUPPORTING BLIND SZF/S

4.5.2. Guide channel handles

UP SZF/4/x

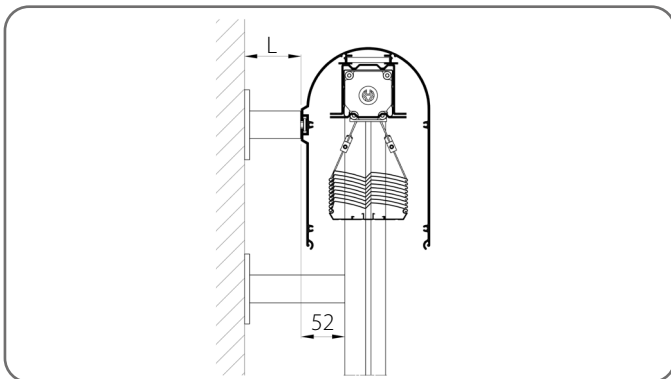


	Catalogue code	L [mm]
1.	UP SZF/4	75 - 200

	Name of the component	Catalogue code
1.	Telescopic handle profile	PUT SZF/x
2.	Telescopic handle set	ZUP SZF/4/x

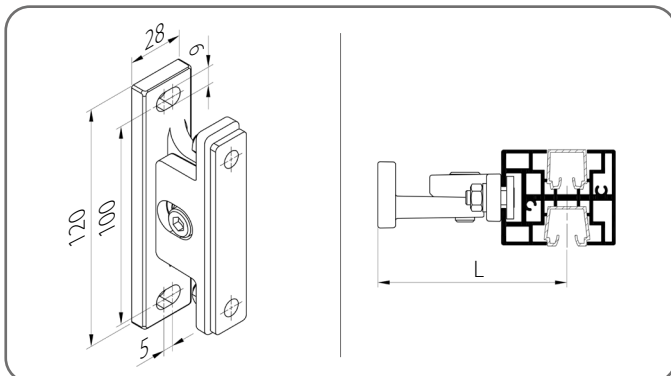
x	Colour	x	Colour	x	Colour	x	Colour
00	mill finish	21	black grey	34	quartz grey	80B	graphite grey
01	silver	22B	ultra white	37B	grey aluminium	82	alpine white
03B	grey	23B	anthracite grey	45	beige satin	IK	different colour
09	brown	29	light beige	73B	mouse grey		
16B	ivory	31B	light grey	74B	copper bronze		
20B	black	33	basalt grey	75B	metallic grey		

! An additional bracket is required to mount the box for blinds wider than 3 m.



	Catalogue code	L [mm]
1.	UP SZF/4	40 - 180

UP SZF/5




x	Colour	x	Colour
00	mill finish	33	basalt grey
01	silver	34	quartz grey
03B	grey	37B	grey aluminium
09	brown	45	beige satin
16B	ivory	73B	mouse grey
20B	black	74B	copper bronze
21	black grey	75B	metallic grey
22B	ultra white	80B	graphite grey
23B	anthracite grey	82	alpine white
29	light beige	IK	different colour
31B	light grey		

	Catalogue code	L [mm]
1.	UP SZF/5/70/x	66 - 72
2.	UP SZF/5/85/x	80 - 86

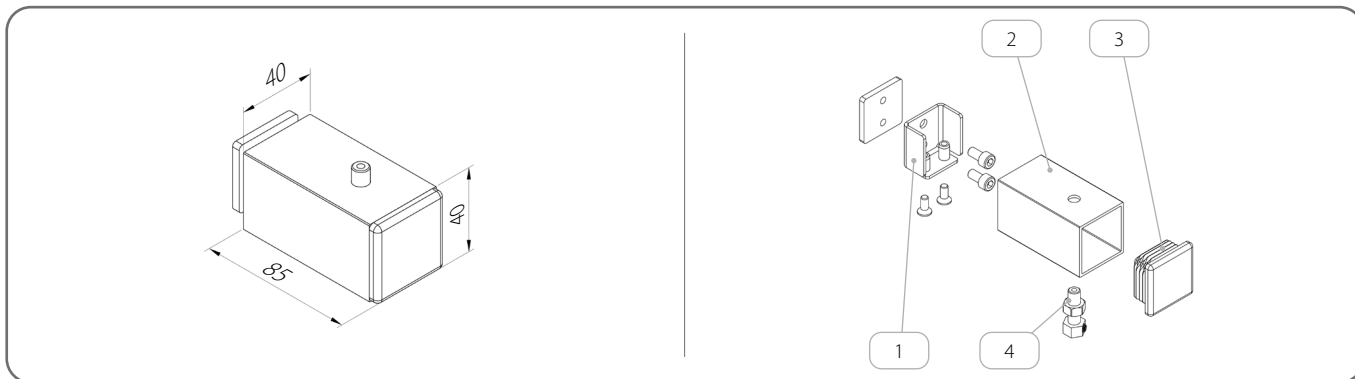
**CATALOGUE - TECHNICAL GUIDE FOR EXTERNAL
VENETIAN BLINDS (FACADE) SZF SkyFLOW SYSTEM**

Z 90 / 4. SELF-SUPPORTING BLIND SZF/S

4.5.3. Guide channel wire reinforcement

 All grips come with a tensioner.

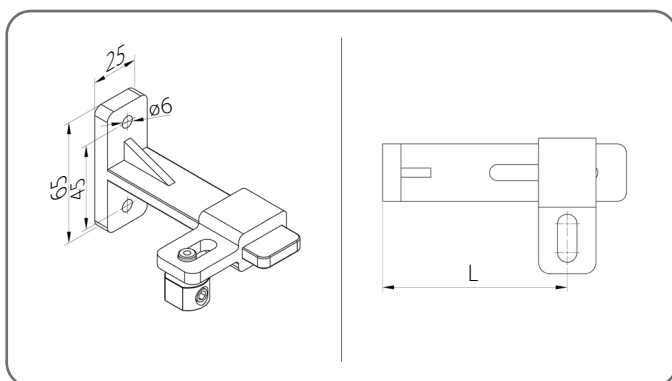
WZLP/40x40x2/x



	Name of the component	Catalogue code	Colour
1.	Reinforcement fixing set	ZM/WZLP/40x40x2	
2.	Mounting profile	U/WZLP/40x40x2/x	<i>colour table x</i>
3.	Cap	Z/WZLP/40x40x2/x	02 - white 20B - black 23B - anthracite grey
4.	Cable tensioner	NLS	

x	Colour	x	Colour	x	Colour	x	Colour
00	mill finish	21	black grey	34	quartz grey	80B	graphite grey
01	silver	22B	ultra white	37B	grey aluminium	82	alpine white
03B	grey	23B	anthracite grey	45	beige satin	IK	different colour
09	brown	29	light beige	73B	mouse grey		
16B	ivory	31B	light grey	74B	copper bronze		
20B	black	33	basalt grey	75B	metallic grey		

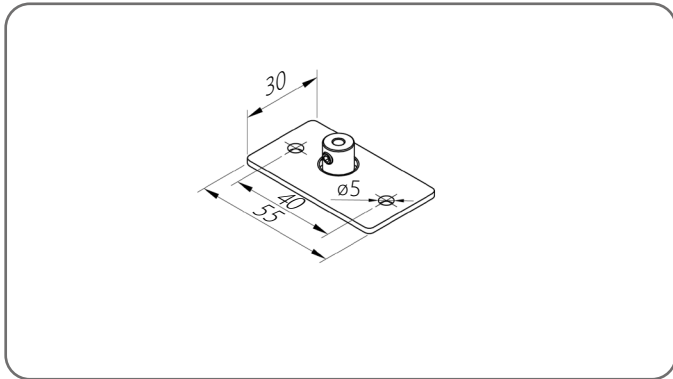
UDL/1



	Catalogue code	L [mm]
1.	UDL/1/90/x	50 - 90
2.	UDL/1/128/x	88 - 128
3.	UDL/1/165/x	125 - 165
4.	UDL/1/200/x	160 - 200

x	Colour	x	Colour	x	Colour	x	Colour
00	mill finish	21	black grey	34	quartz grey	80B	graphite grey
01	silver	22B	ultra white	37B	grey aluminium	82	alpine white
03B	grey	23B	anthracite grey	45	beige satin	IK	different colour
09	brown	29	light beige	73B	mouse grey		
16B	ivory	31B	light grey	74B	copper bronze		
20B	black	33	basalt grey	75B	metallic grey		

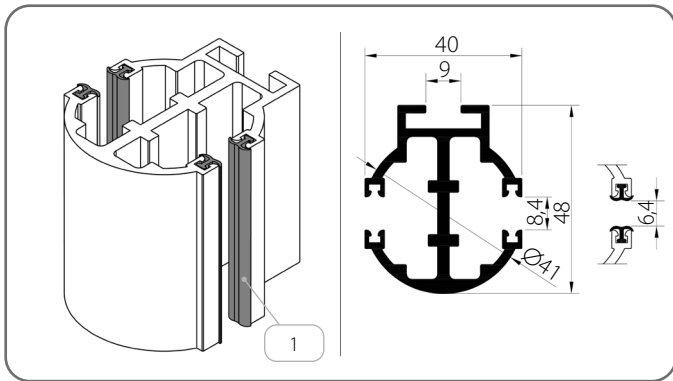
UDL/3/x



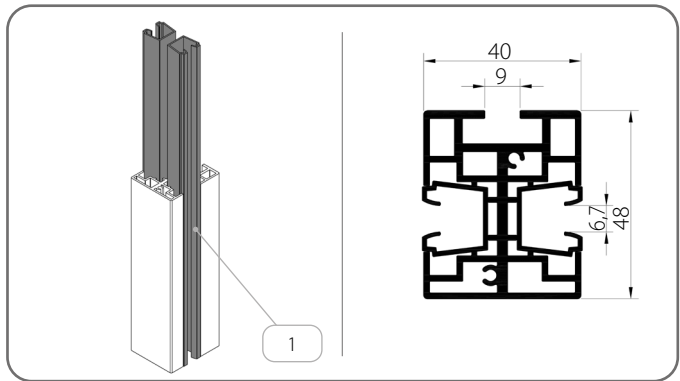
x	Colour
AND	anodised

4.6. Division guide channels

PPDO-P SZF/2/x



PPD-P SZF/WUF_S/2/x



	Name of the component	Colour
1.	Damping seal	20 - black

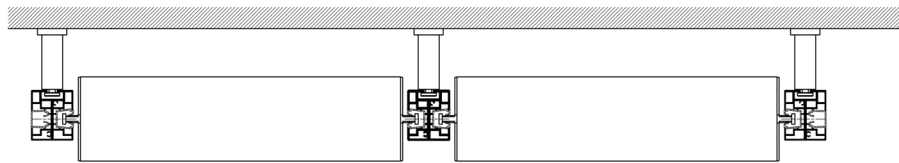
	Name of the component	Colour
1.	Guide channels insert	03 - grey 20 - black

x	Colour	x	Colour	x	Colour	x	Colour
00	mill finish	21	black grey	34	quartz grey	80B	graphite grey
01	silver	22B	ultra white	37B	grey aluminium	82	alpine white
03B	grey	23B	anthracite grey	45	beige satin	IK	different colour
09	brown	29	light beige	73B	mouse grey		
16B	ivory	31B	light grey	74B	copper bronze		
20B	black	33	basalt grey	75B	metallic grey		

4.7. Blinds joining

 A common drive for up to 3 blinds can be used.

The division of Venetian blinds



PPDO SZF/2



PPDO-P SZF/2



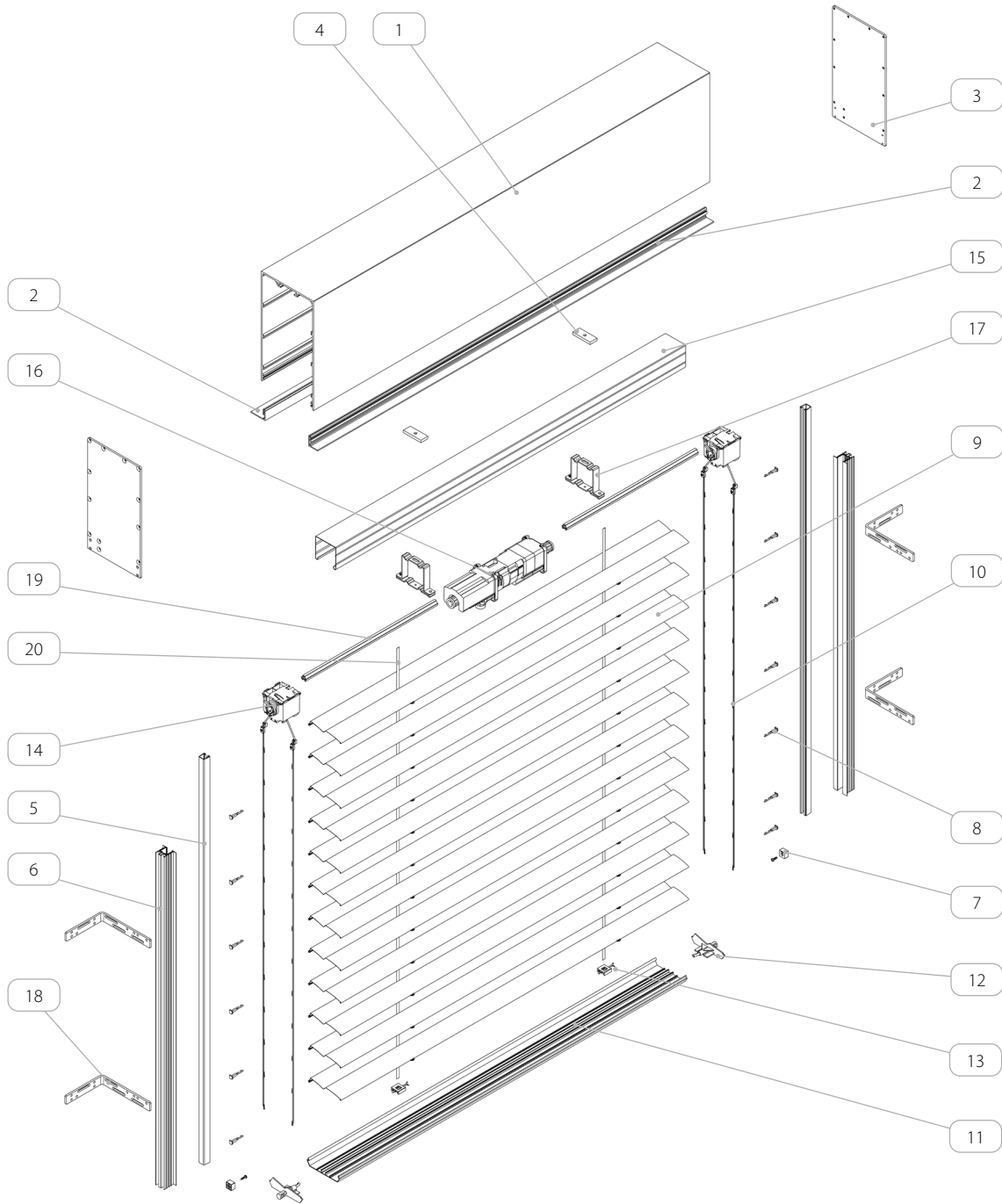
PPD SZF/WUF_S/2



PPD-P SZF/WUF_S/2



5. UNDER PLASTER BLINDS BOX/BASIC



Name of the component	
1.	Box
2.	Plaster foundation
3.	End cap
4.	Rail handle mounting bracket
5.	Guide channels insert
6.	Under plaster guide channel
7.	Venetian blind stopper
8.	Pin to Z 90
9.	Profile Z 90
10.	Ladder braid Z 90
11.	Bottom rail
12.	Blind for end slat
13.	Lift tape and end slat - connector
14.	Mechanism - 8 mm belt
15.	Steel rail - galvanised
16.	Drive
17.	Guide rail bracket
18.	Mounting angle
19.	Shaft 14 mm
20.	Strap 8 mm

CATALOGUE - TECHNICAL GUIDE FOR EXTERNAL VENETIAN BLINDS (FACADE) SZF SkyFLOW SYSTEM

Z 90 / 5. UNDER PLASTER BLINDS BOX/BASIC

5.1. General information



Where:

A - HEIGHT OF THE PACKAGE [mm]

B - BLINDS HEIGHT [mm]

C - COVER HEIGHT [mm]

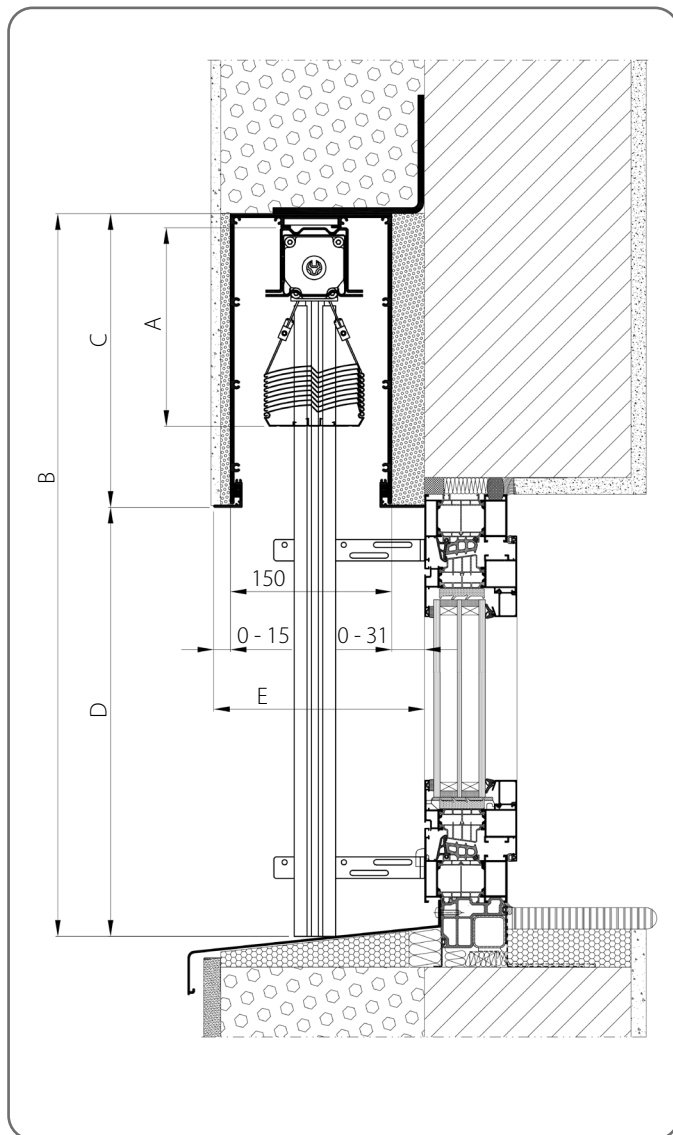
D - CLEAR HEIGHT [mm]

E - INSTALLATION DEPTH [mm]

M - WIDTH OF THE PACKAGE / SLAT [mm]

N - VENETIAN BLIND WIDTH [mm]

The measurement and installation of the venetian blind should be performed by a qualified installer.



	A [mm]	B [mm]	Venetian blind with guide and/or cable guide		Venetian blind with cable reinforcement	
			C [mm]	D [mm]	C [mm]	D [mm]
1.	130	600 - 820	220	380 - 1600	220	380 - 1600
2.	140	821 - 1020				
3.	160	1021 - 1220				
4.	170	1221 - 1420				
5.	190	1421 - 1620				
6.	200	1621 - 1820				
7.	220	1821 - 2020	270	1551 - 2150	270	1551 - 2150
8.	230	2021 - 2220				
9.	250	2221 - 2420				
10.	260	2421 - 2620	310	2111 - 2710	310	2111 - 2710
11.	270	2621 - 2820				
12.	290	2821 - 3020				
13.	300	3021 - 3220	350	2671 - 2170	350	2671 - 2170
14.	310	3221 - 3420				
15.	330	3421 - 3520				

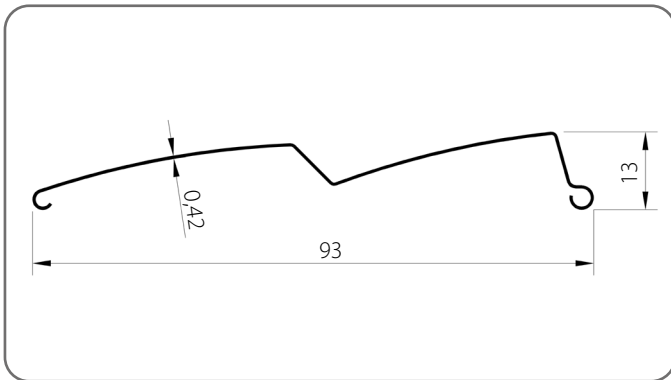


When dimensioning the Venetian blinds, the planned width of the insulation layer overlapping the window should be taken into account.

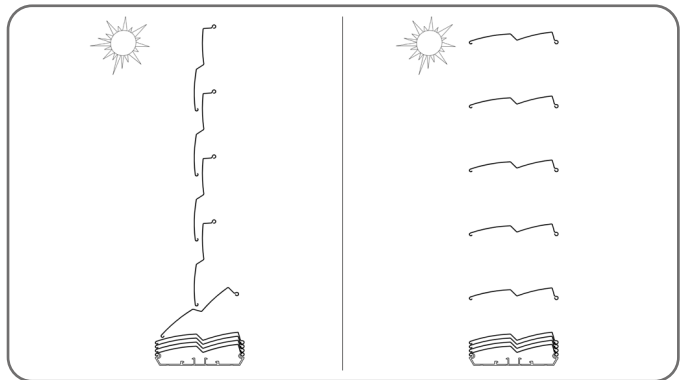
**CATALOGUE - TECHNICAL GUIDE FOR EXTERNAL
VENETIAN BLINDS (FACADE) SZF SKYFLOW SYSTEM**

Z 90 / 5. UNDER PLASTER BLINDS BOX/BASIC

Slat Z 90/x

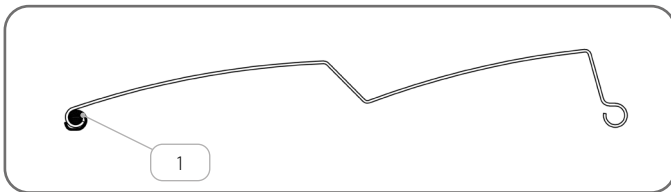


Slats rotation range - 90°



x	Colour	x	Colour	x	Colour	x	Colour
01	silver	21	black grey	33	basalt grey	74B	copper bronze
03B	grey	22B	ultra white	34	quartz grey	75B	metallic grey
09	brown	23B	anthracite grey	37B	grey aluminium	80B	graphite grey
16B	ivory	29	light beige	45	beige satin	82	alpine white
20B	black	31B	light grey	73B	mouse grey		

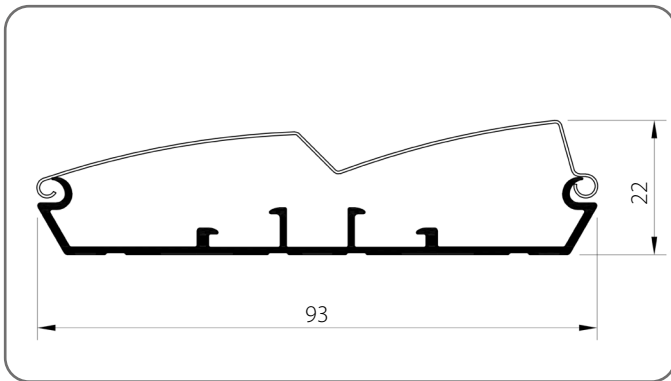
Slat soundproofing seal



	Name of the component	Catalogue code
1.	Slat soundproofing seal	UWZ90/x

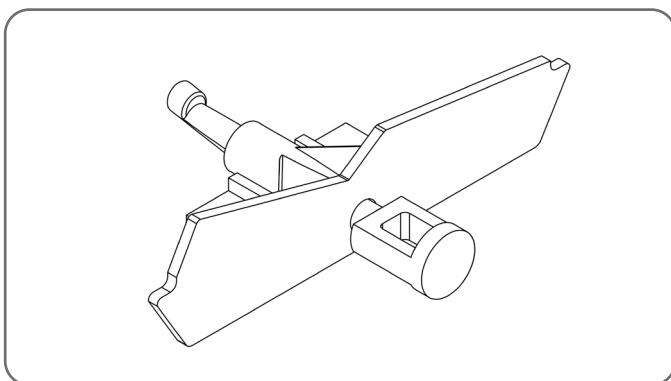
x	Colour
03	grey

Open end slat BOA/Z90/x



x	Colour	x	Colour
00	mill finish	33	basalt grey
01	silver	34	quartz grey
03B	grey	37B	grey aluminium
09	brown	45	beige satin
16B	ivory	73B	mouse grey
20B	black	74B	copper bronze
21	black grey	75B	metallic grey
22B	ultra white	80B	graphite grey
23B	anthracite grey	82	alpine white
29	light beige	IK	different colour
31B	light grey		

End slat blind Z BOA/Z90/x

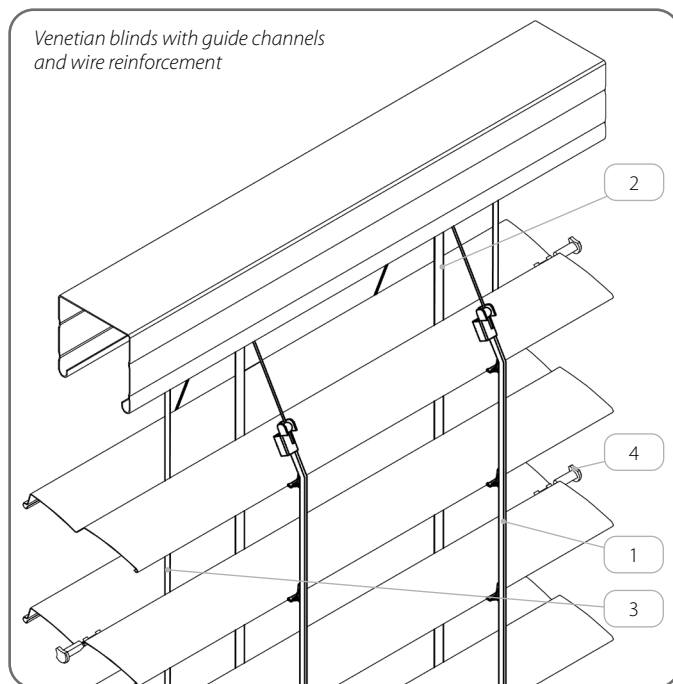
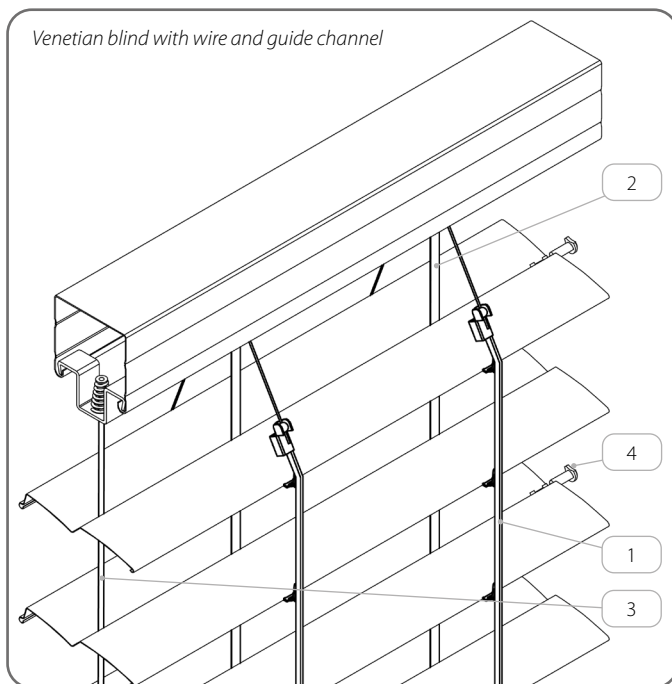
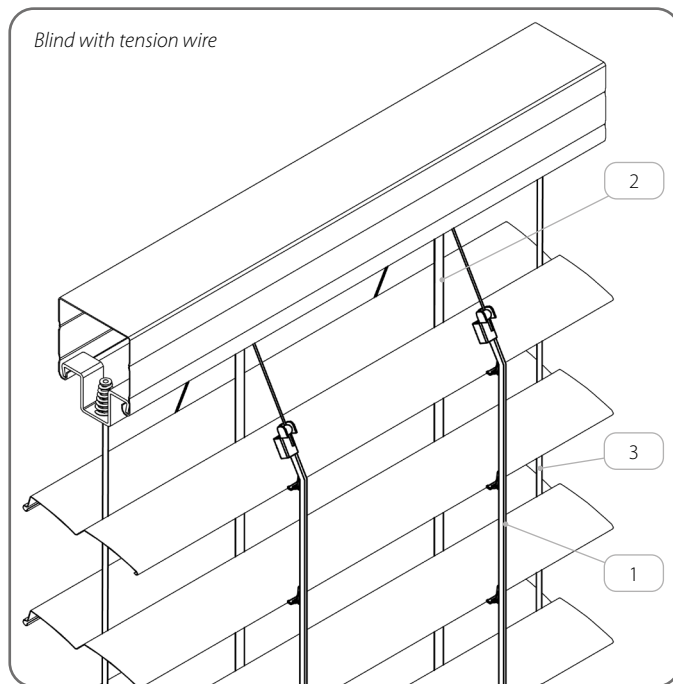
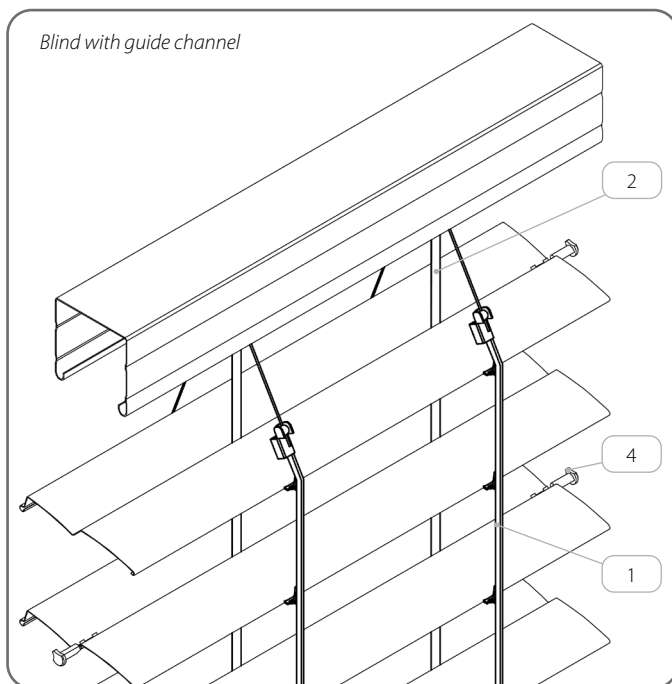


x	Colour
03	grey
20	black

**CATALOGUE - TECHNICAL GUIDE FOR EXTERNAL
VENETIAN BLINDS (FACADE) SZF SkyFLOW SYSTEM**

Z 90 / 5. UNDER PLASTER BLINDS BOX/BASIC

Additional accessories



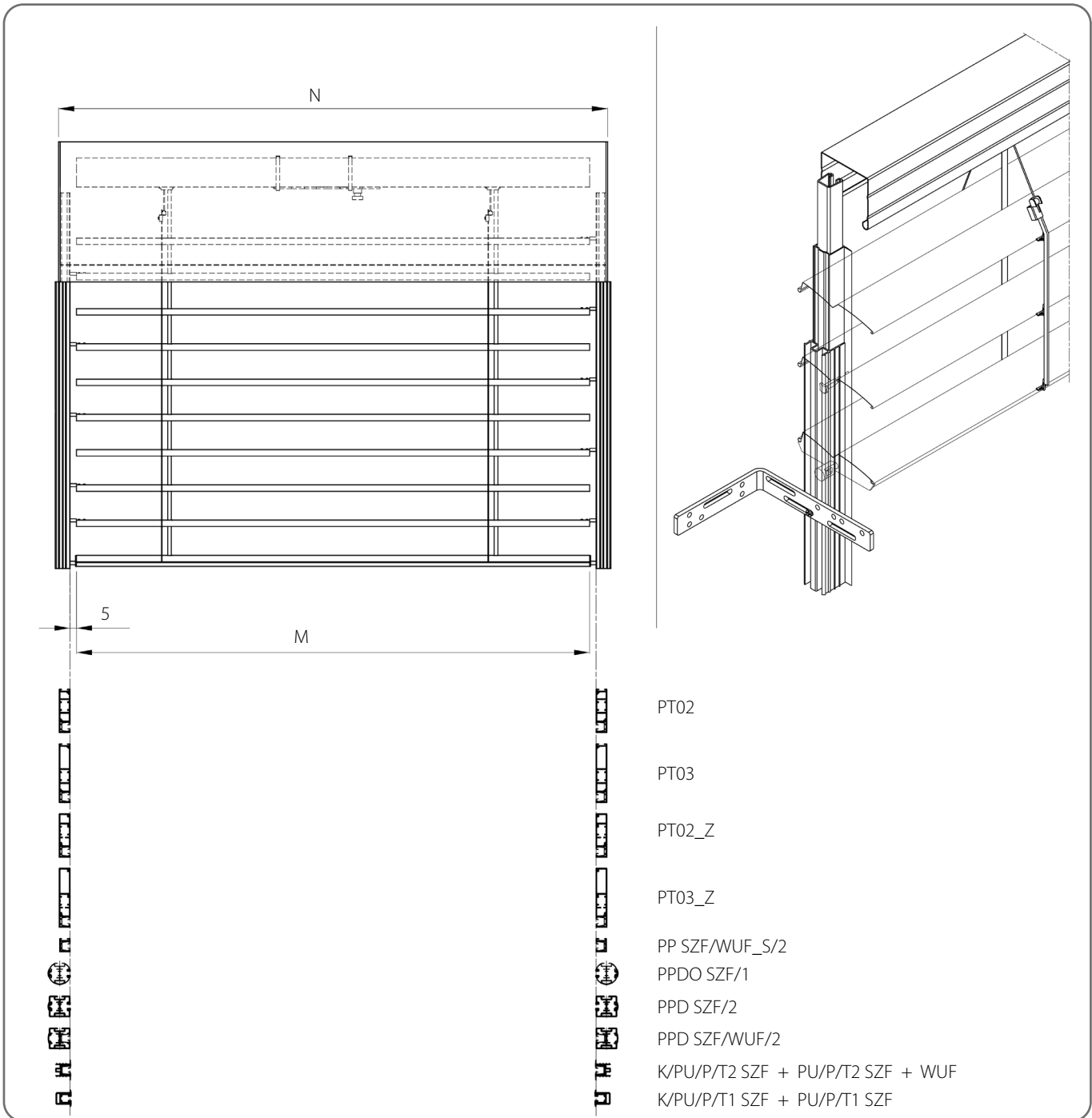
	Name of the component	Catalogue code
1.	Ladder braid Z 90	D/Z90/x
2.	Strap 8 mm	P SZF/8/x
3.	Steel wire Ø 3, PVC coated	LS SZF/3/x
4.	Pin to Z 90 - steel	P/S/Z90

x	Colour
03	grey
20	black



Pins are mounted on every other slat for Venetian blinds with guide channels.

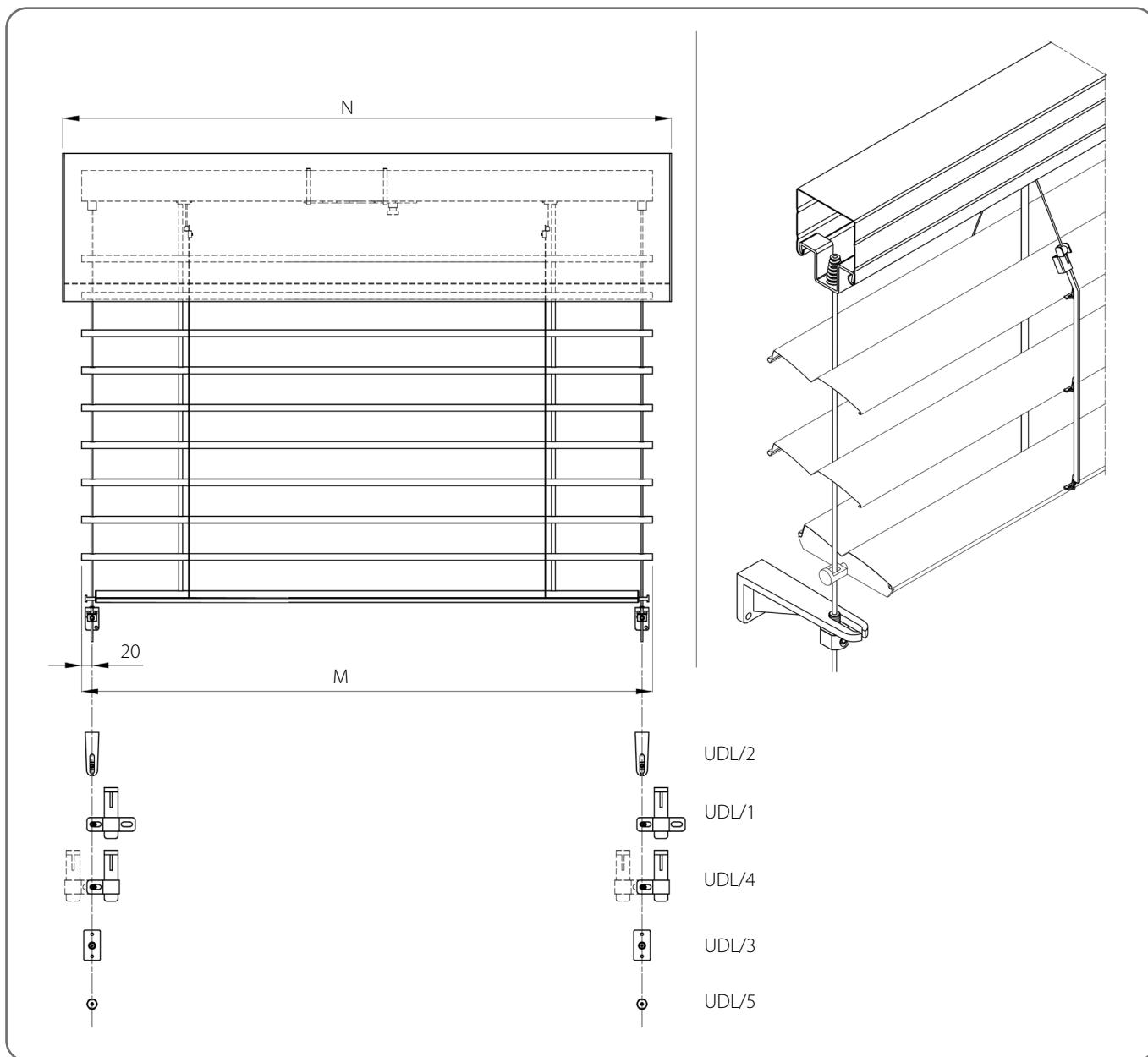
5.1.1. Blind with guide channel



Technical specifications									
Minimum		Maximum		Maximum surface [m ²]	Corner blinds	Electric drive	Motor with emergency opening	Manual drive	Installation
Width [mm]	Height [mm]	Width [mm]	Height [mm]						
600	600	4500	3520	15,84	NO	YES	YES	YES	External

⚠ When dimensioning the Venetian blinds, the planned width of the insulation layer overlapping the window should be taken into account.

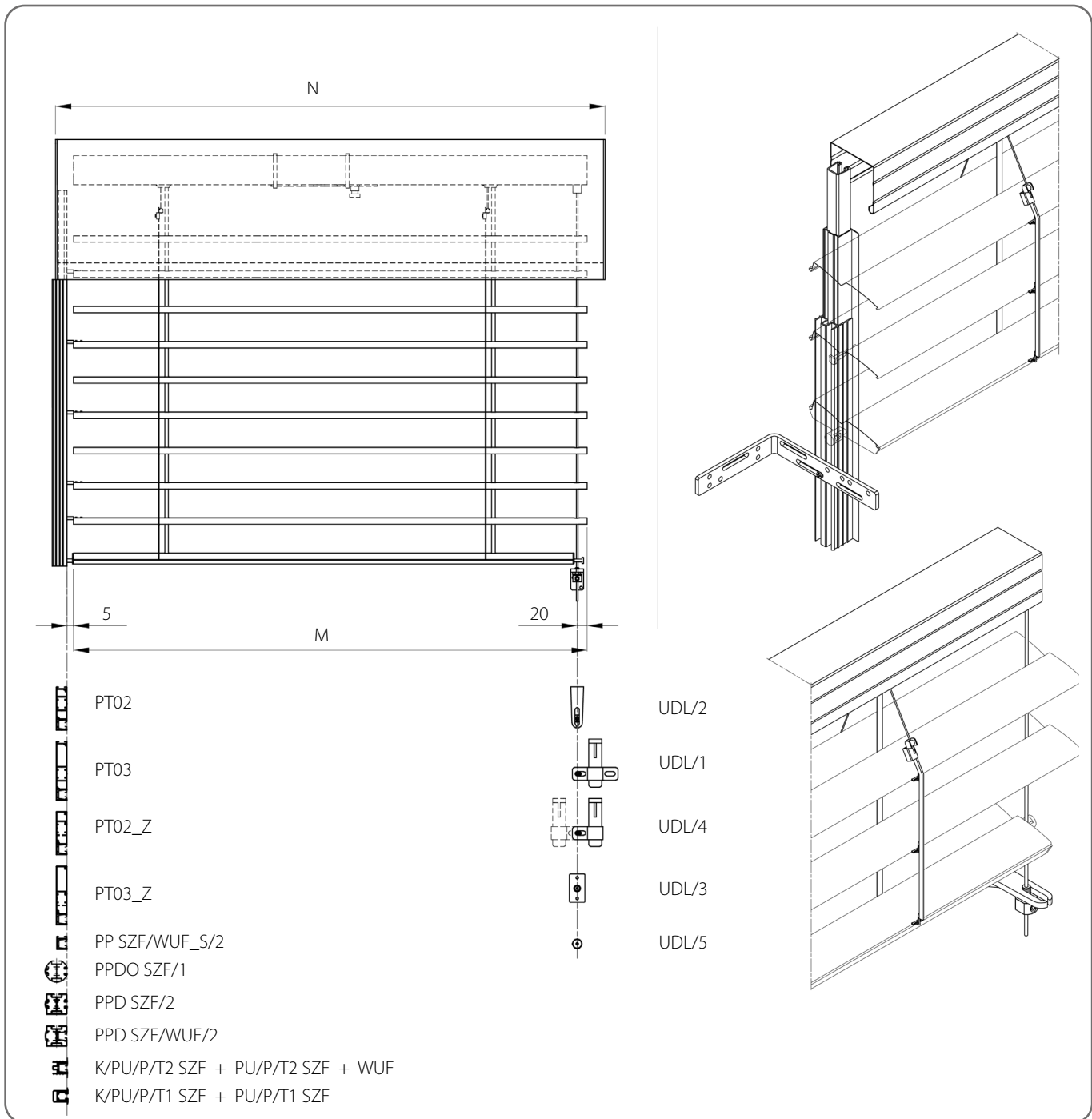
5.1.2. Blind with tension wire



Technical specifications								
Minimum		Maximum	Maximum surface [m ²]	Corner blinds	Electric drive	Motor with emergency opening	Manual drive	Installation
Width [mm]	Height [mm]	Width x Height [mm]						
600	600	3000 x 3520 4000 x 2500	10	NO	YES	YES	YES	External

 When dimensioning the Venetian blinds, the planned width of the insulation layer overlapping the window should be taken into account.

5.1.3. Venetian blind with wire and guide channel

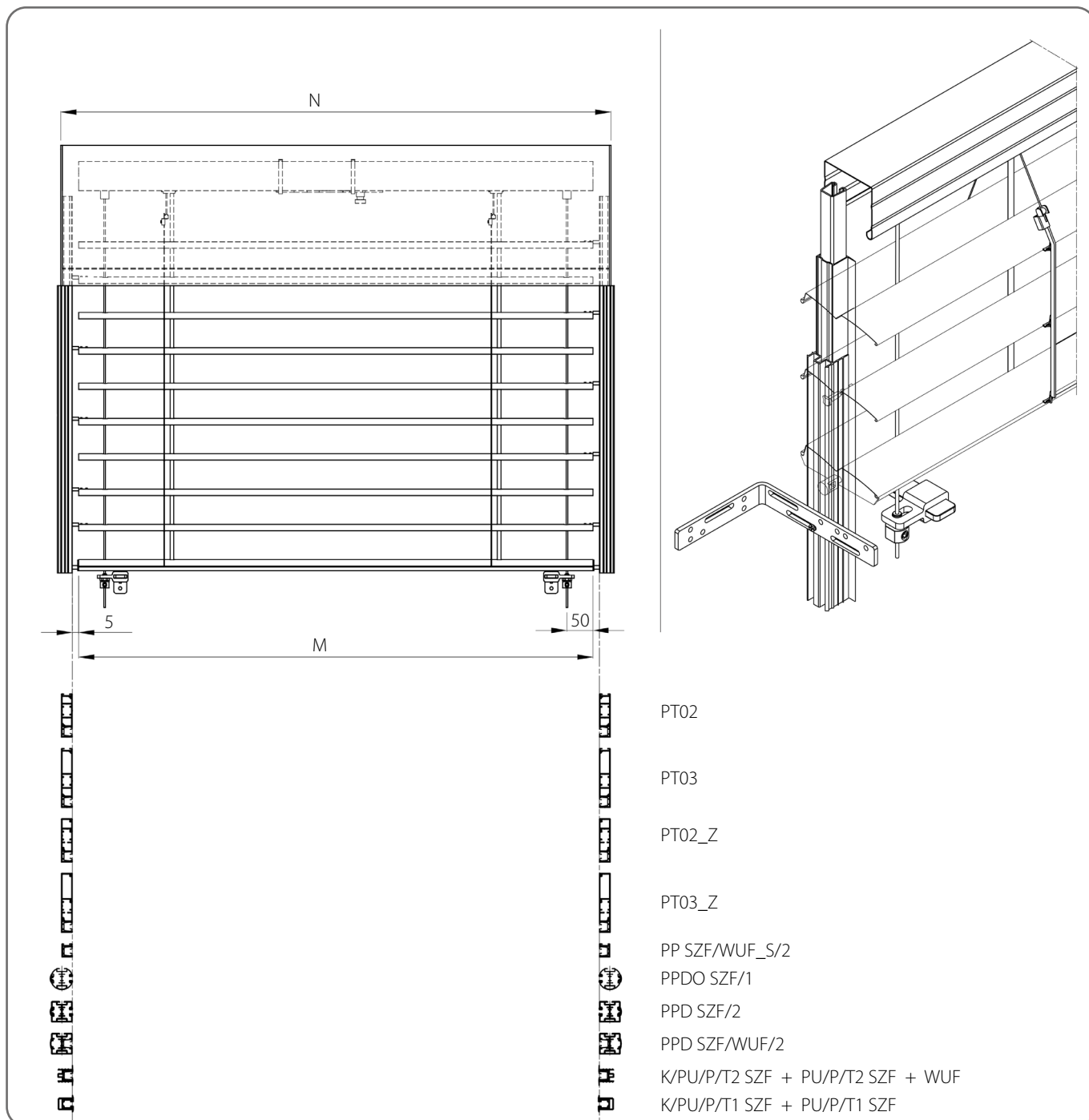


Technical specifications

Minimum		Maximum	Maximum surface [m ²]	Corner blinds	Electric drive	Motor with emergency opening	Manual drive	Installation
Width [mm]	Height [mm]	Width x Height [mm]						
600	600	3000 x 3520 4000 x 2500	10	NO	YES	YES	YES	External

⚠ When dimensioning the Venetian blinds, the planned width of the insulation layer overlapping the window should be taken into account.

5.1.4. Venetian blinds with guide channels and wire reinforcement



Technical specifications									
Minimum		Maximum		Maximum surface [m ²]	Corner blinds	Electric drive	Motor with emergency opening	Manual drive	Installation
Width [mm]	Height [mm]	Width [mm]	Height [mm]						
600	600	5000	3520	17,6	NO	YES	YES	YES	External



When dimensioning the Venetian blinds, the planned width of the insulation layer overlapping the window should be taken into account.

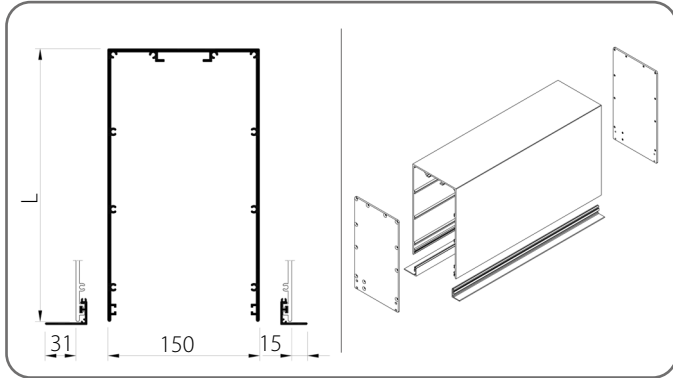
**CATALOGUE - TECHNICAL GUIDE FOR EXTERNAL
VENETIAN BLINDS (FACADE) SZF SKYFLOW SYSTEM**

Z 90 / 5. UNDER PLASTER BLINDS BOX/BASIC

5.2. Box

 It is possible to configure the blinds without the box.

Under plaster box

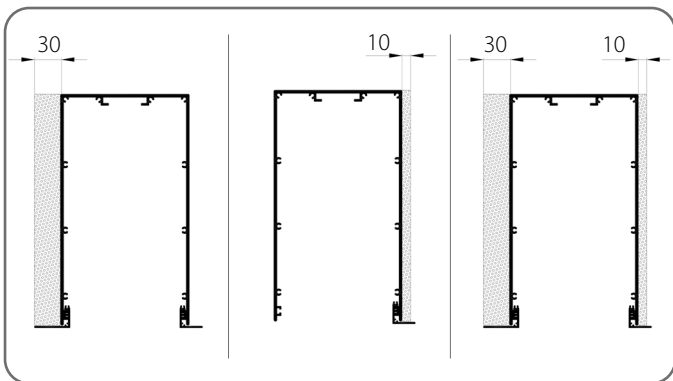


	L [mm]	X [mm]	Y [mm]
1.	277	40	-
2.	337	100	100
3.	397	160	160

x	Colour	x	Colour	x	Colour	x	Colour
00	mill finish	21	black grey	34	quartz grey	80B	graphite grey
01	silver	22B	ultra white	37B	grey aluminium	82	alpine white
03B	grey	23B	anthracite grey	45	beige satin	IK	different colour
09	brown	29	light beige	73B	mouse grey		
16B	ivory	31B	light grey	74B	copper bronze		
20B	black	33	basalt grey	75B	metallic grey		

 Maximum width for a single element - 6 m.

5.2.1. Plaster foundation



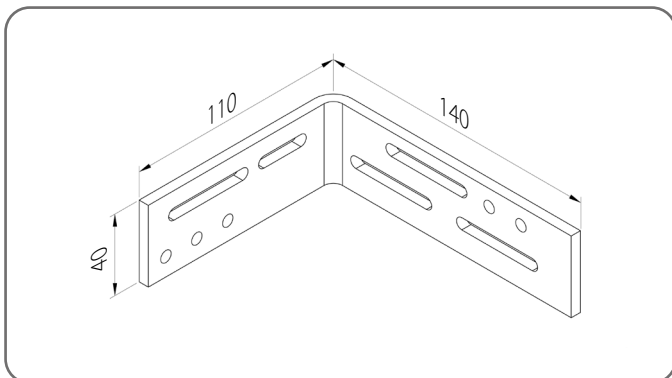
	Catalogue code	Name of the component
1.	NT/XPS/10	Plaster foundation NT/XPS/10
2.	NT/XPS/30	Plaster foundation NT/XPS/30

**CATALOGUE - TECHNICAL GUIDE FOR EXTERNAL
VENETIAN BLINDS (FACADE) SZF SkyFLOW SYSTEM**

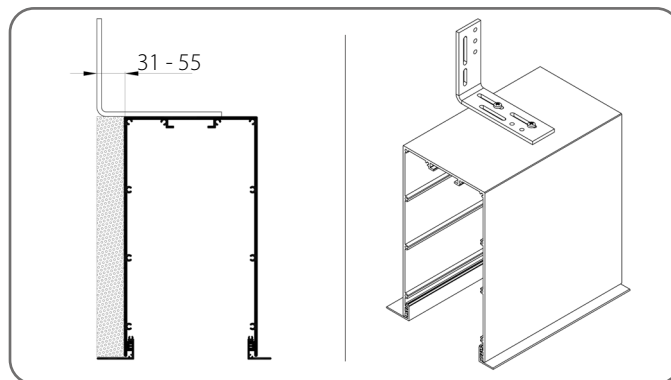
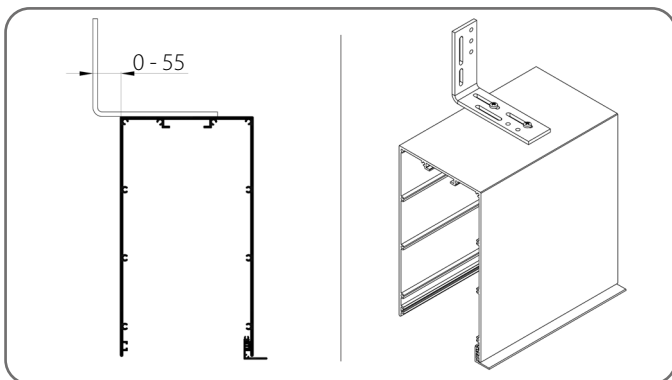
Z 90 / 5. UNDER PLASTER BLINDS BOX/BASIC

5.2.3. Mounting angle

KMK/140x110

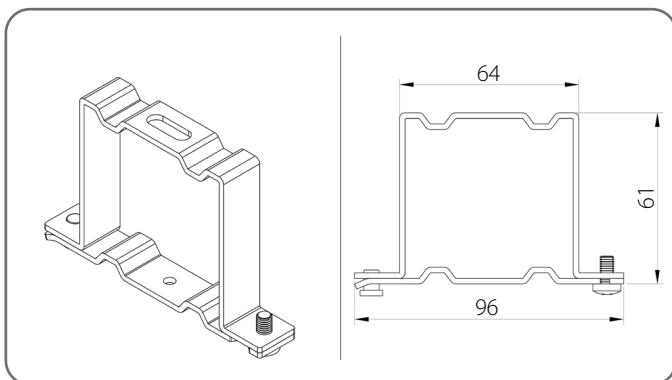


	Width of box [mm]	Number of angles
1.	600 - 1600	3
2.	1601 - 2400	4
3.	2401 - 3200	5
4.	3201 - 4000	6
5.	4001 - 4500	7
6.	4501 - 5000	8
7.	5001 - 5500	9
8.	5501 - 6000	10

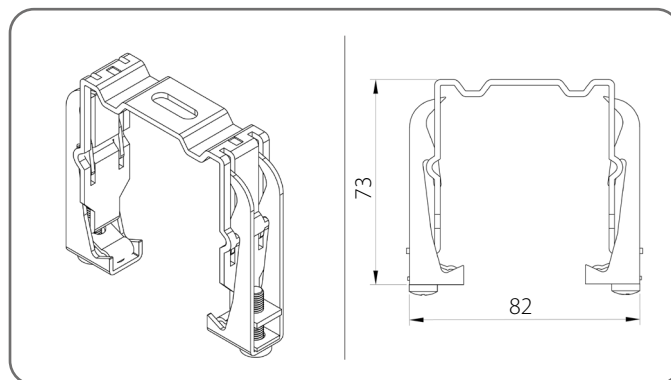


5.3. Top guide rail bracket

Standard guide rail bracket - US/A



Springy guide rail bracket - US/B



Number of top rail handles						
Venetian blind width [mm]	600 - 1600	1601 - 2400	2401 - 3200	3201 - 4000	4001 - 4500	4501 - 5000
Quantity	2	3	4	5	6	7

**CATALOGUE - TECHNICAL GUIDE FOR EXTERNAL
VENETIAN BLINDS (FACADE) SZF SkyFlow SYSTEM**

Z 90 / 5. UNDER PLASTER BLINDS BOX/BASIC

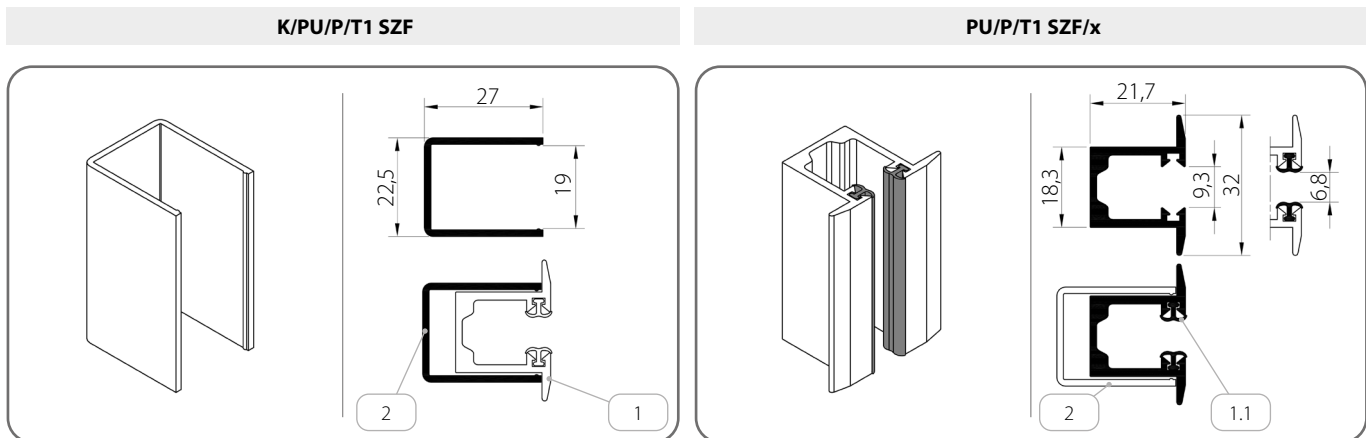
5.4. Other information

Blinds height [mm]	Slat width [mm]						
	1400	2400	3400	4400	5000	-	-
600 - 2500	1400	2400	3400	4400	5000	-	-
2501 - 3000	1300	2200	3100	4000	4900	5000	-
3001 - 4500	1200	2000	2800	3600	4400	5000	-
4501 - 5000	1100	1800	2500	3200	3900	4600	5000
Number of strap mechanisms	2	3	4	5	6	7	8

Guide channel handle				
Blinds height [mm]	600 - 1600	1601 - 2600	2601 - 3600	3601 - 4400
Number of handles [for 1 pcs guide channel]	2	3	4	5

5.5. Guide channels

5.5.1. Guide channels - I Group

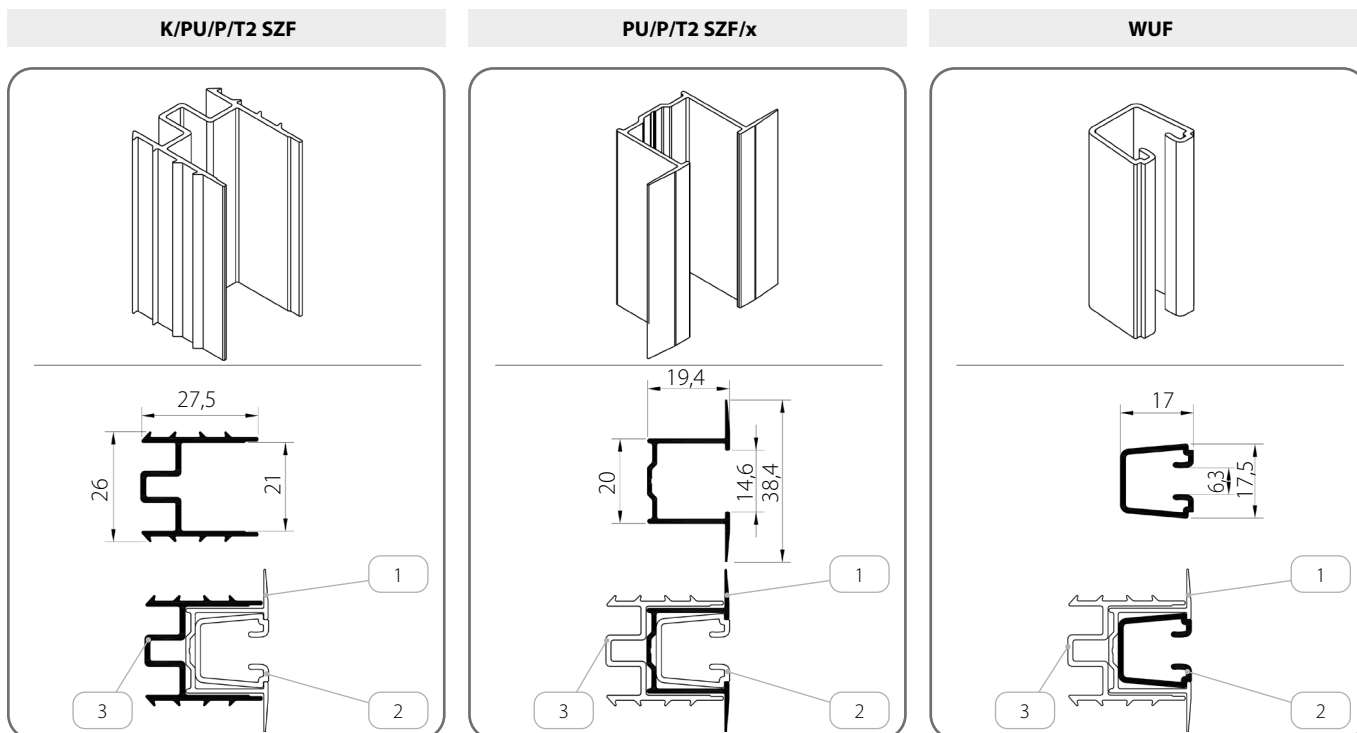


	Name of the component	Colour	Catalogue code
1.	Under plaster simple guide channel	x	PU/P/T1 SZF/x
1.1.	Damping seal	20 - black	-
2.	Under plaster simple guide channel pocket	-	K/PU/P/T1 SZF

x	Colour	x	Colour	x	Colour	x	Colour
00	mill finish	21	black grey	34	quartz grey	80B	graphite grey
01	silver	22B	ultra white	37B	grey aluminium	82	alpine white
03B	grey	23B	anthracite grey	45	beige satin	IK	different colour
09	brown	29	light beige	73B	mouse grey		
16B	ivory	31B	light grey	74B	copper bronze		
20B	black	33	basalt grey	75B	metallic grey		

**CATALOGUE - TECHNICAL GUIDE FOR EXTERNAL
VENETIAN BLINDS (FACADE) SZF SkyFLOW SYSTEM**

Z 90 / 5. UNDER PLASTER BLINDS BOX/BASIC

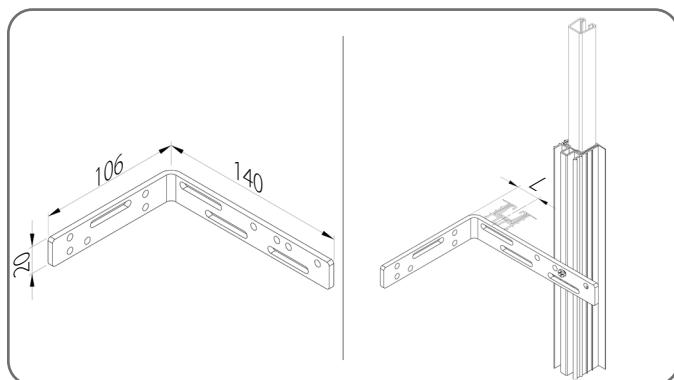


	Name of the component	Colour	Catalogue code
1.	Under plaster simple guide channel	x	PU/P/T2 SZF/x
2.	Guide channels insert	20 - black	WUF
3.	Under plaster simple guide channel pocket	-	K/PU/P/T2 SZF

x	Colour	x	Colour	x	Colour	x	Colour
00	mill finish	21	black grey	34	quartz grey	80B	graphite grey
01	silver	22B	ultra white	37B	grey aluminium	82	alpine white
03B	grey	23B	anthracite grey	45	beige satin	IK	different colour
09	brown	29	light beige	73B	mouse grey		
16B	ivory	31B	light grey	74B	copper bronze		
20B	black	33	basalt grey	75B	metallic grey		

5.5.1.1. Mounting angle

KMK/140x100



	Catalogue code	L [mm]
1.	KMK/140x100	15 - 130

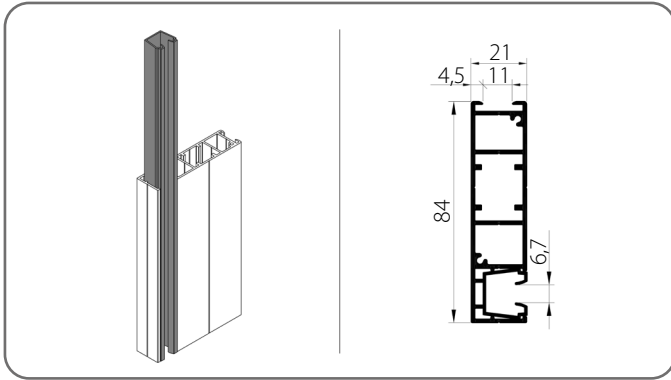
	Blinds height [mm]	Number of angles [for 1 pcs guide channel]
1.	600 - 1600	2
2.	1601 - 2600	3
3.	2601 - 3600	4
4.	3601 - 4400	5

**CATALOGUE - TECHNICAL GUIDE FOR EXTERNAL
VENETIAN BLINDS (FACADE) SZF SkyFLOW SYSTEM**

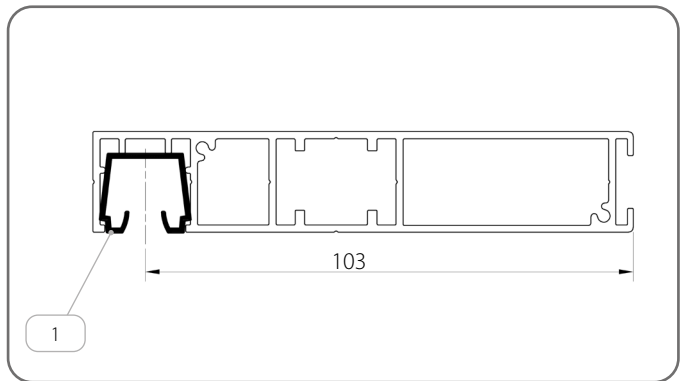
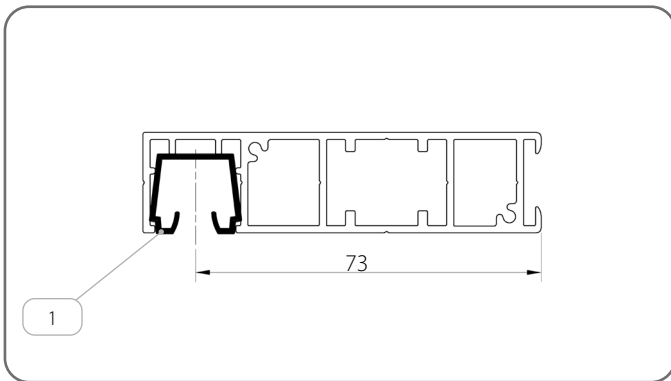
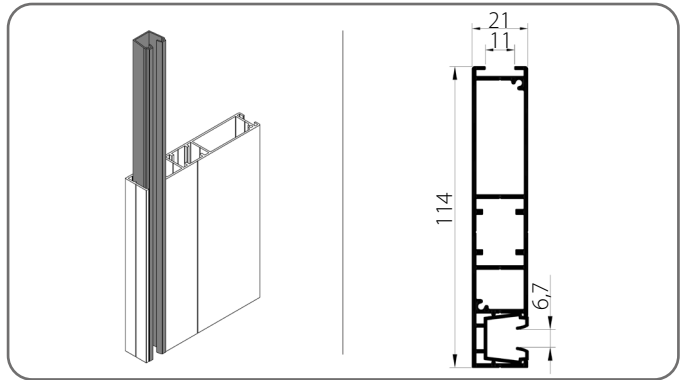
Z 90 / 5. UNDER PLASTER BLINDS BOX/BASIC

5.5.2. Guide channels - Group II

PT02/x



PT03/x

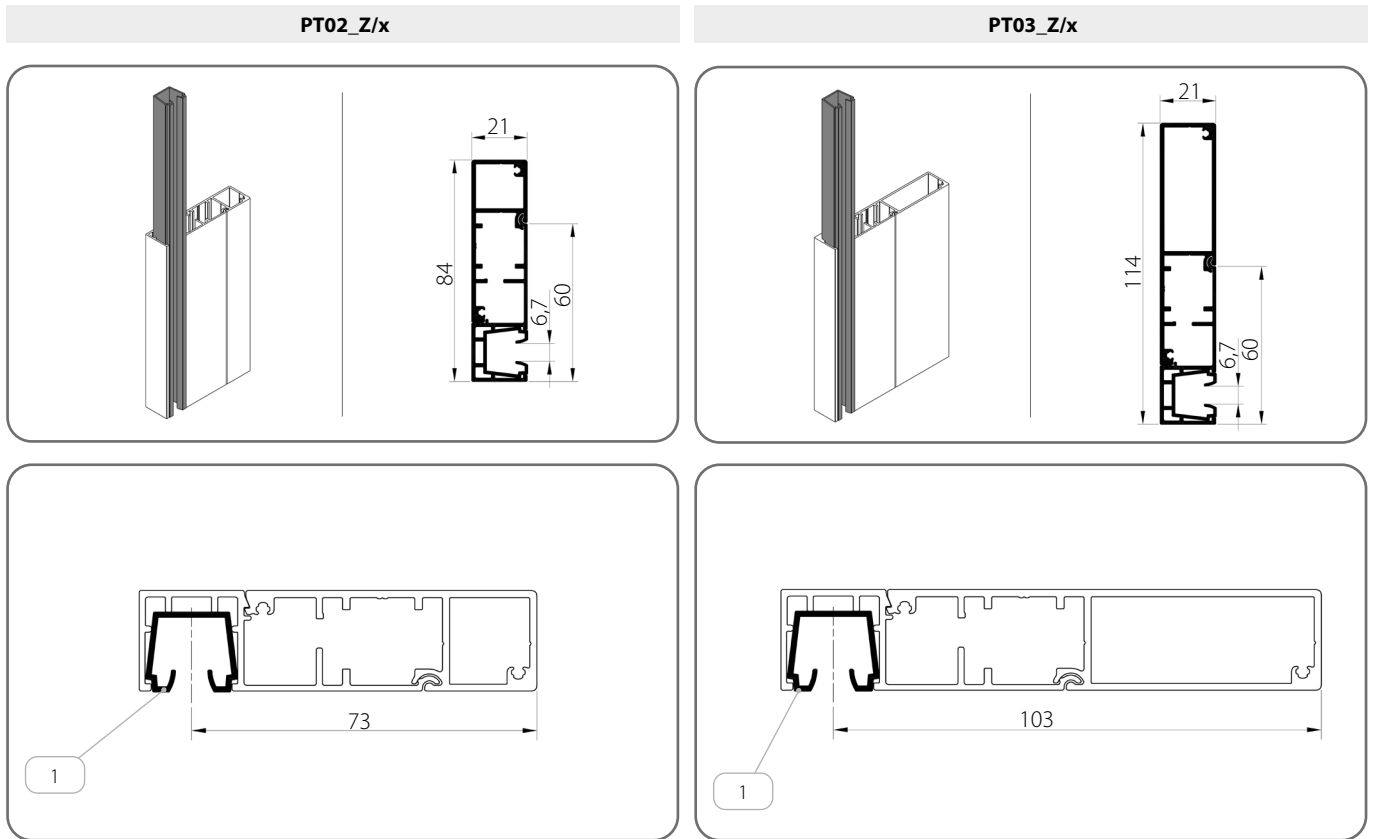


Name of the component		Colour
1.	Guide channels insert	03 - grey 20 - black

x	Colour	x	Colour	x	Colour	x	Colour
00	mill finish	21	black grey	34	quartz grey	80B	graphite grey
01	silver	22B	ultra white	37B	grey aluminium	82	alpine white
03B	grey	23B	anthracite grey	45	beige satin	IK	different colour
09	brown	29	light beige	73B	mouse grey		
16B	ivory	31B	light grey	74B	copper bronze		
20B	black	33	basalt grey	75B	metallic grey		

**CATALOGUE - TECHNICAL GUIDE FOR EXTERNAL
VENETIAN BLINDS (FACADE) SZF SkyFLOW SYSTEM**

Z 90 / 5. UNDER PLASTER BLINDS BOX/BASIC



Name of the component		Colour
1.	Guide channels insert	03 - grey 20 - black

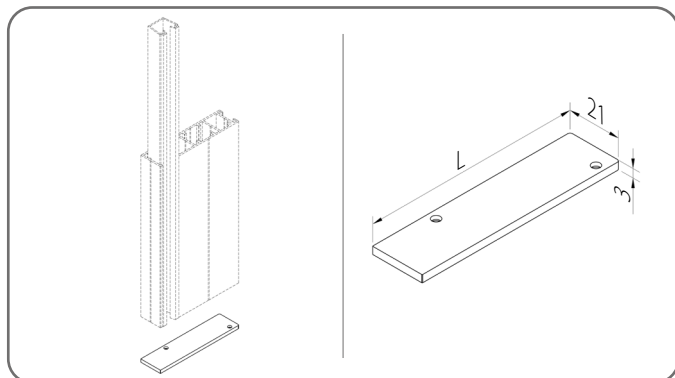
x	Colour	x	Colour	x	Colour	x	Colour
00	mill finish	21	black grey	34	quartz grey	80B	graphite grey
01	silver	22B	ultra white	37B	grey aluminium	82	alpine white
03B	grey	23B	anthracite grey	45	beige satin	IK	different colour
09	brown	29	light beige	73B	mouse grey		
16B	ivory	31B	light grey	74B	copper bronze		
20B	black	33	basalt grey	75B	metallic grey		

**CATALOGUE - TECHNICAL GUIDE FOR EXTERNAL
VENETIAN BLINDS (FACADE) SZF SKYFLOW SYSTEM**

Z 90 / 5. UNDER PLASTER BLINDS BOX/BASIC

5.5.2.1. Guide channel side lock

For guide channels type PT

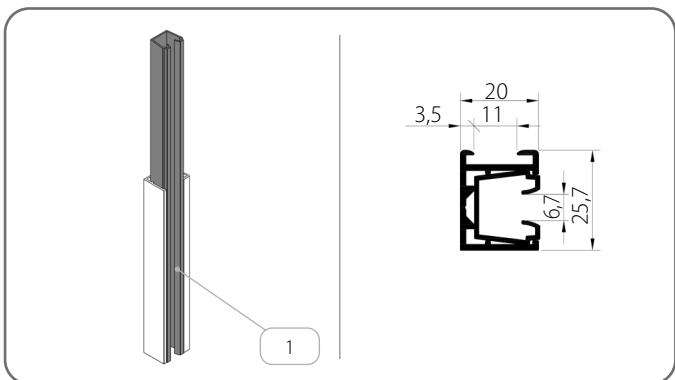


	Catalogue code	L [mm]
1.	ZPT02/x	83,5
2.	ZPT03/x	113
3.	ZPT02_Z/x	83,5
4.	ZPT03_Z/x	113,5

x	Colour	x	Colour	x	Colour	x	Colour
00	mill finish	21	black grey	34	quartz grey	80B	graphite grey
01	silver	22B	ultra white	37B	grey aluminium	82	alpine white
03B	grey	23B	anthracite grey	45	beige satin	IK	different colour
09	brown	29	light beige	73B	mouse grey		
16B	ivory	31B	light grey	74B	copper bronze		
20B	black	33	basalt grey	75B	metallic grey		

5.5.3. Guide channels - Group III

PP SZF/WUF_S/2/x



	Name of the component	Colour
1.	Guide channels insert	03 - grey 20 - black

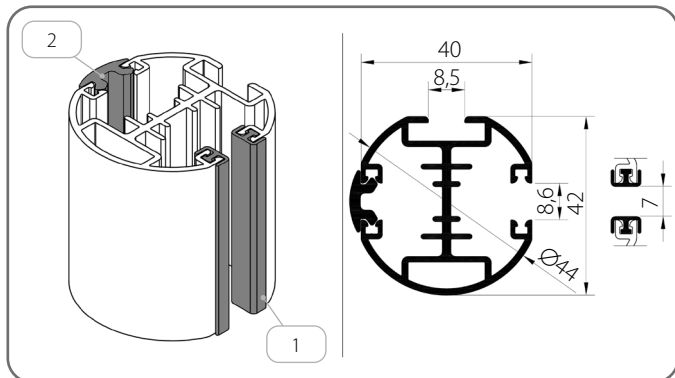
x	Colour	x	Colour	x	Colour	x	Colour
00	mill finish	21	black grey	34	quartz grey	80B	graphite grey
01	silver	22B	ultra white	37B	grey aluminium	82	alpine white
03B	grey	23B	anthracite grey	45	beige satin	IK	different colour
09	brown	29	light beige	73B	mouse grey		
16B	ivory	31B	light grey	74B	copper bronze		
20B	black	33	basalt grey	75B	metallic grey		

**CATALOGUE - TECHNICAL GUIDE FOR EXTERNAL
VENETIAN BLINDS (FACADE) SZF SkyFLOW SYSTEM**

Z 90 / 5. UNDER PLASTER BLINDS BOX/BASIC

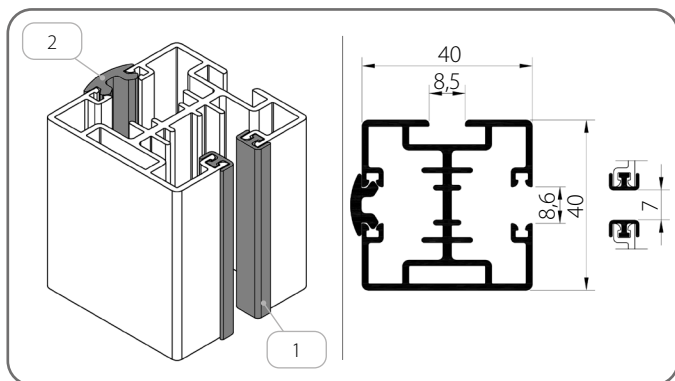
5.5.4. Guide channels - Group IV

PPDO SZF/1/x



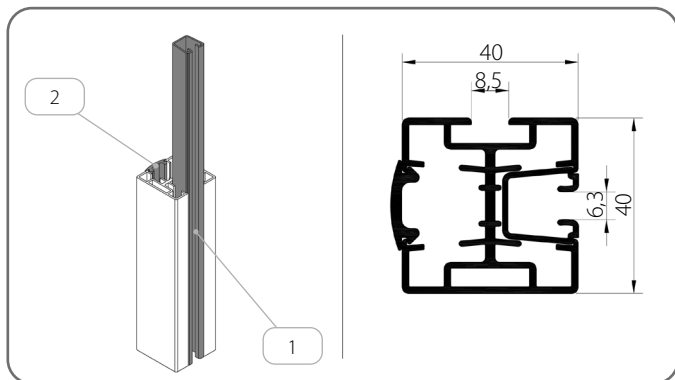
	Name of the component	Colour
1.	Damping seal	20 - black
2.	Masking seal	03 - grey 20 - black

PPD SZF/2/x



	Name of the component	Colour
1.	Damping seal	20 - black
2.	Masking seal	03 - grey 20 - black

PPD SZF/WUF/2/x

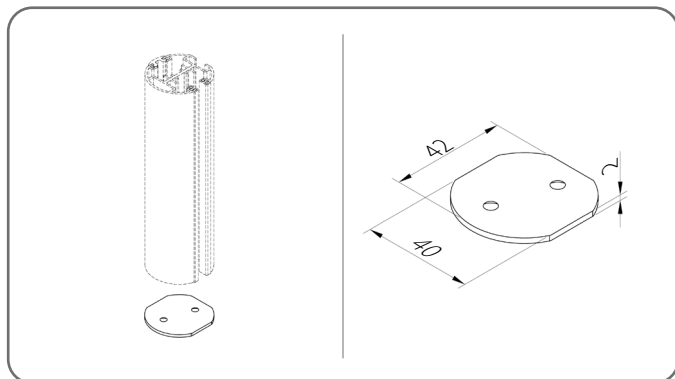


	Name of the component	Colour
1.	Guide channels insert	20 - black
2.	Masking seal	03 - grey 20 - black

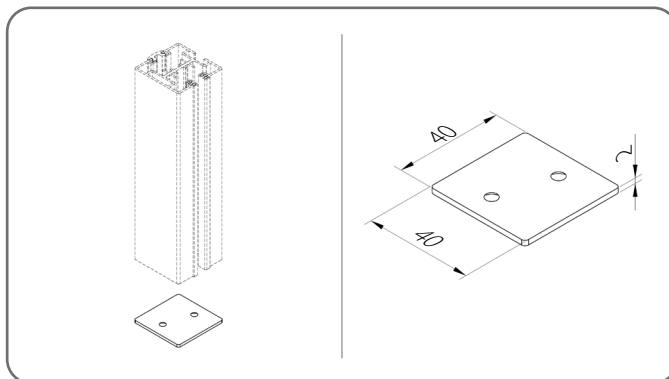
x	Colour	x	Colour	x	Colour	x	Colour
00	mill finish	21	black grey	34	quartz grey	80B	graphite grey
01	silver	22B	ultra white	37B	grey aluminium	82	alpine white
03B	grey	23B	anthracite grey	45	beige satin	IK	different colour
09	brown	29	light beige	73B	mouse grey		
16B	ivory	31B	light grey	74B	copper bronze		
20B	black	33	basalt grey	75B	metallic grey		

5.5.4.1. Guide channel side lock

ZPPDO SZF/1



ZPPD SZF/2



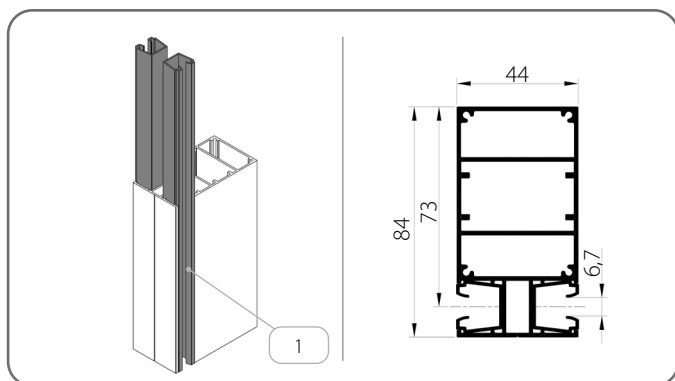
x	Colour	x	Colour	x	Colour	x	Colour
00	mill finish	21	black grey	34	quartz grey	80B	graphite grey
01	silver	22B	ultra white	37B	grey aluminium	82	alpine white
03B	grey	23B	anthracite grey	45	beige satin	IK	different colour
09	brown	29	light beige	73B	mouse grey		
16B	ivory	31B	light grey	74B	copper bronze		
20B	black	33	basalt grey	75B	metallic grey		

Aluminium side lock.

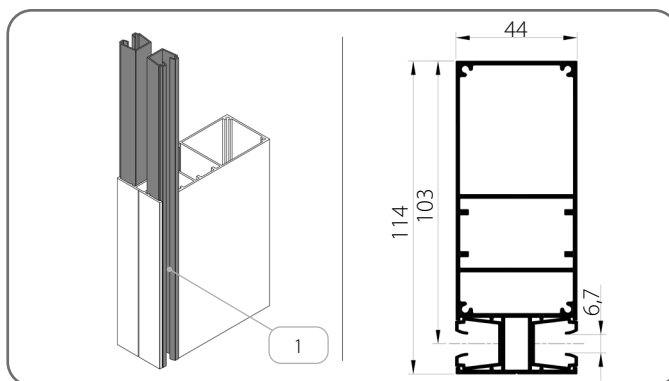
5.6. Division guide channels

5.6.1. Guide channels - Group II

PT04/x



PT05/x



	Name of the component	Colour
1.	Guide channels insert	03 - grey 20 - black

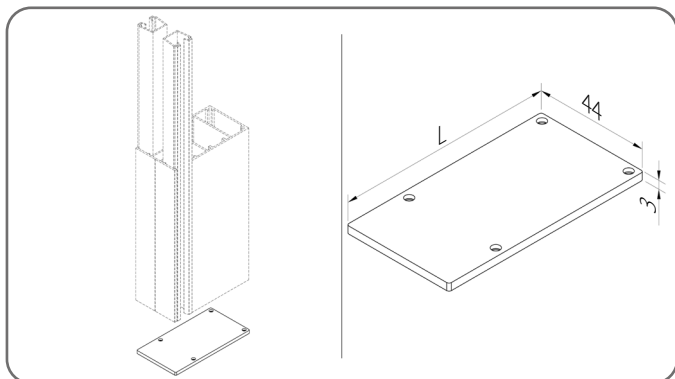
x	Colour	x	Colour	x	Colour	x	Colour
00	mill finish	21	black grey	34	quartz grey	80B	graphite grey
01	silver	22B	ultra white	37B	grey aluminium	82	alpine white
03B	grey	23B	anthracite grey	45	beige satin	IK	different colour
09	brown	29	light beige	73B	mouse grey		
16B	ivory	31B	light grey	74B	copper bronze		
20B	black	33	basalt grey	75B	metallic grey		

**CATALOGUE - TECHNICAL GUIDE FOR EXTERNAL
VENETIAN BLINDS (FACADE) SZF SkyFLOW SYSTEM**

Z 90 / 5. UNDER PLASTER BLINDS BOX/BASIC

5.6.1.1. Guide channel side lock

For guide channels type PT

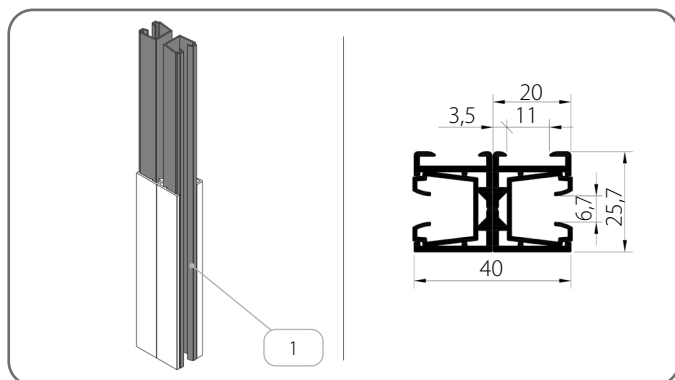


	Catalogue code	L [mm]
1.	ZPT04/x	83,5
2.	ZPT05/x	113,5

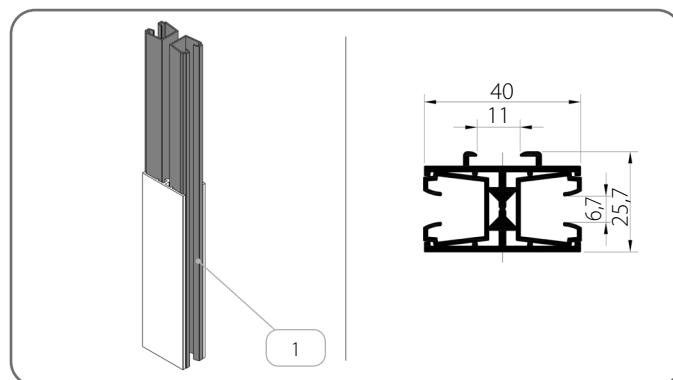
x	Colour	x	Colour	x	Colour	x	Colour
00	mill finish	21	black grey	34	quartz grey	80B	graphite grey
01	silver	22B	ultra white	37B	grey aluminium	82	alpine white
03B	grey	23B	anthracite grey	45	beige satin	IK	different colour
09	brown	29	light beige	73B	mouse grey		
16B	ivory	31B	light grey	74B	copper bronze		
20B	black	33	basalt grey	75B	metallic grey		

5.6.2. Guide channels - Group III

PP SZF/WUF_S/2/x + PP SZF/WUF_S/2/x



PPD SZF/WUF_S/1/x

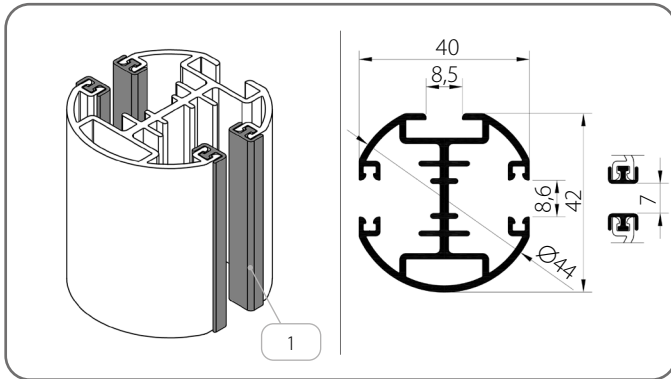


	Name of the component	Colour
1.	Guide channels insert	03 - grey 20 - black

x	Colour	x	Colour	x	Colour	x	Colour
00	mill finish	21	black grey	34	quartz grey	80B	graphite grey
01	silver	22B	ultra white	37B	grey aluminium	82	alpine white
03B	grey	23B	anthracite grey	45	beige satin	IK	different colour
09	brown	29	light beige	73B	mouse grey		
16B	ivory	31B	light grey	74B	copper bronze		
20B	black	33	basalt grey	75B	metallic grey		

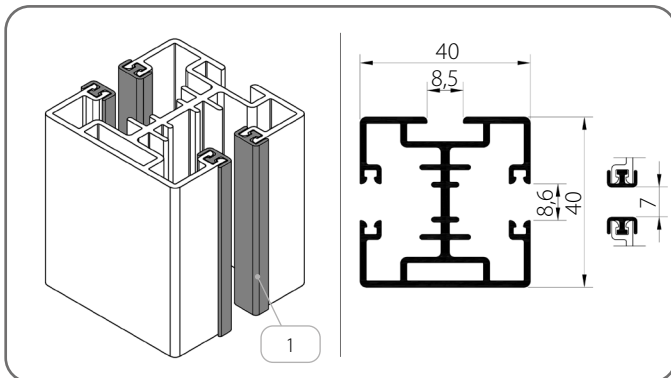
5.6.3. Guide channels - Group IV

PPDO-P SZF/1/x



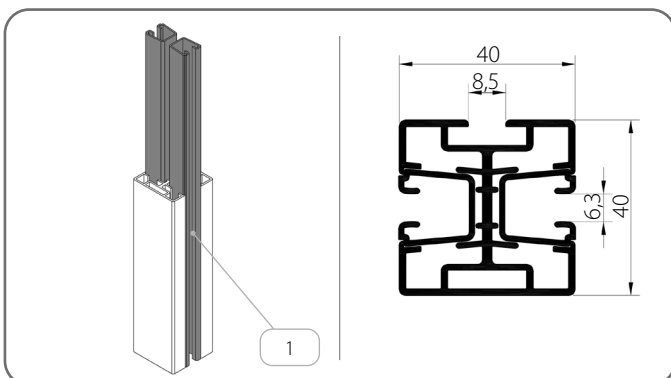
	Name of the component	Colour
1.	Guide channels insert	20 - black

PPD-P SZF/2/x



	Name of the component	Colour
1.	Guide channels insert	20 - black

PPD-P SZF/WUF/2/x



	Name of the component	Colour
1.	Guide channels insert	20 - black

x	Colour	x	Colour	x	Colour	x	Colour
00	mill finish	21	black grey	34	quartz grey	80B	graphite grey
01	silver	22B	ultra white	37B	grey aluminium	82	alpine white
03B	grey	23B	anthracite grey	45	beige satin	IK	different colour
09	brown	29	light beige	73B	mouse grey		
16B	ivory	31B	light grey	74B	copper bronze		
20B	black	33	basalt grey	75B	metallic grey		

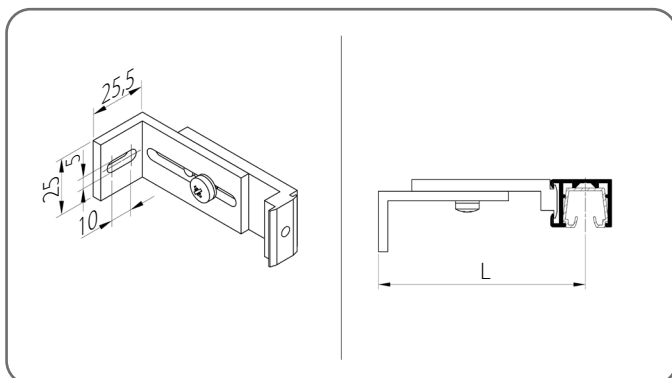
**CATALOGUE - TECHNICAL GUIDE FOR EXTERNAL
VENETIAN BLINDS (FACADE) SZF SkyFLOW SYSTEM**

Z 90 / 5. UNDER PLASTER BLINDS BOX/BASIC

5.7. Guide channel handles

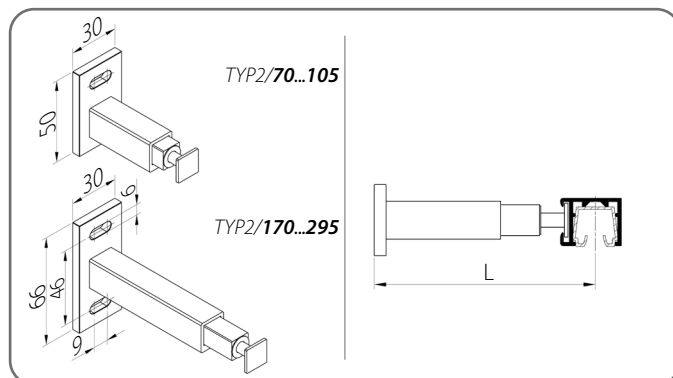
5.7.1. Guide channels - Group III

TYP 1



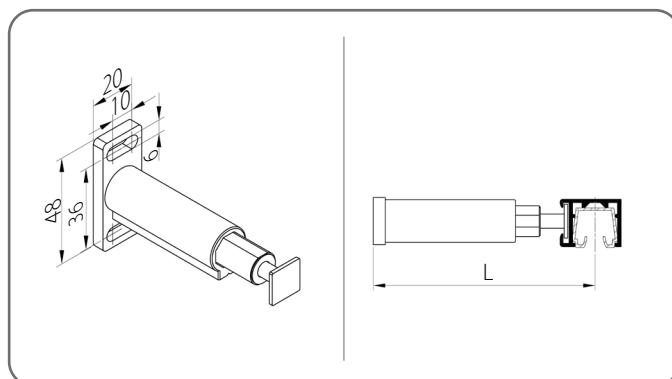
	Catalogue code	L [mm]
1.	TYP1/75/x	55 - 75
2.	TYP1/105/x	76 - 105
3.	TYP1/160/x	106 - 160

TYP 2



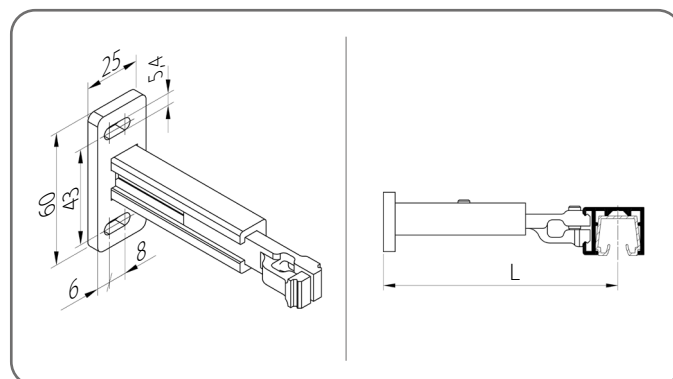
	Catalogue code	L [mm]
1.	TYP2/70/x	50 - 70
2.	TYP2/105/x	71 - 105
3.	TYP2/170/x	106 - 170
4.	TYP2/295/x	171 - 295

TYP 3



	Catalogue code	L [mm]
1.	TYP3/75/x	50 - 75
2.	TYP3/1120/x	76 - 120

TYP 4



	Catalogue code	L [mm]
1.	TYP4/80/x	60 - 80
2.	TYP4/115/x	81 - 115
3.	TYP4/170/x	116 - 170

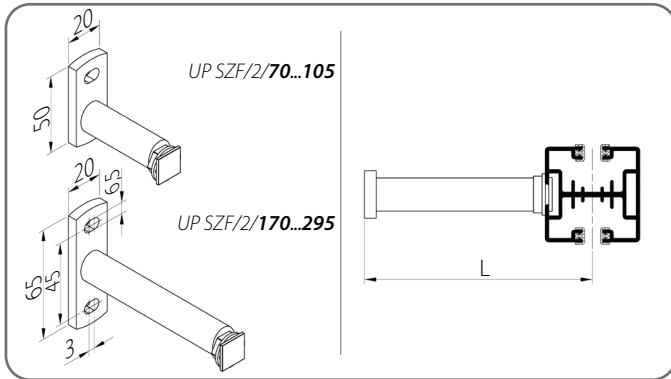
x	Colour	x	Colour	x	Colour	x	Colour
00	mill finish	21	black grey	34	quartz grey	80B	graphite grey
01	silver	22B	ultra white	37B	grey aluminium	82	alpine white
03B	grey	23B	anthracite grey	45	beige satin	IK	different colour
09	brown	29	light beige	73B	mouse grey		
16B	ivory	31B	light grey	74B	copper bronze		
20B	black	33	basalt grey	75B	metallic grey		

**CATALOGUE - TECHNICAL GUIDE FOR EXTERNAL
VENETIAN BLINDS (FACADE) SZF SKYFLOW SYSTEM**

Z 90 / 5. UNDER PLASTER BLINDS BOX/BASIC

5.7.2. Guide channels - Group IV

UP SZF/2

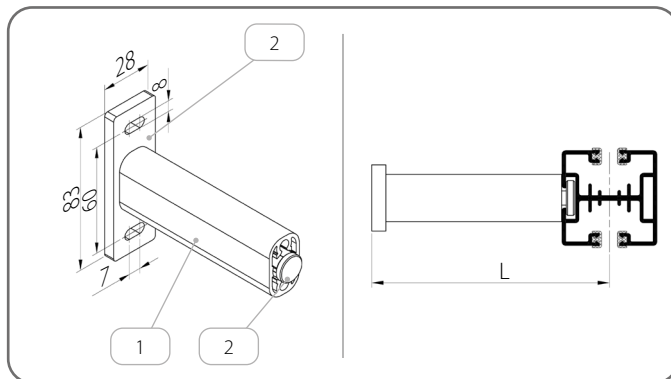


	Catalogue code	L [mm]
1.	UP SZF/2/70/x	58 - 78*
2.	UP SZF/2/105/x	79 - 113*
3.	UP SZF/2/170/x	114 - 178*
4.	UP SZF/2/295/x	179 - 303*

* Values changed due to the use of **PPD-P SZF/2** or **PPDO-P SZF/1** guide channels.

x	Colour	x	Colour	x	Colour	x	Colour
00	mill finish	21	black grey	34	quartz grey	80B	graphite grey
01	silver	22B	ultra white	37B	grey aluminium	82	alpine white
03B	grey	23B	anthracite grey	45	beige satin	IK	different colour
09	brown	29	light beige	73B	mouse grey		
16B	ivory	31B	light grey	74B	copper bronze		
20B	black	33	basalt grey	75B	metallic grey		

UP SZF/4/x



	Catalogue code	L [mm]
1.	UP SZF/4	75 - 200


	Name of the component	Catalogue code
1.	Telescopic handle profile	PUT SZF/x
2.	Telescopic handle set	ZUP SZF/4/x

x	Colour	x	Colour	x	Colour	x	Colour
00	mill finish	21	black grey	34	quartz grey	80B	graphite grey
01	silver	22B	ultra white	37B	grey aluminium	82	alpine white
03B	grey	23B	anthracite grey	45	beige satin	IK	different colour
09	brown	29	light beige	73B	mouse grey		
16B	ivory	31B	light grey	74B	copper bronze		
20B	black	33	basalt grey	75B	metallic grey		

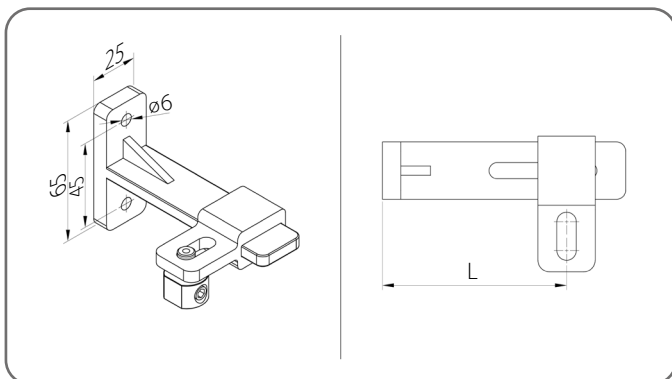
**CATALOGUE - TECHNICAL GUIDE FOR EXTERNAL
VENETIAN BLINDS (FACADE) SZF SkyFLOW SYSTEM**

Z 90 / 5. UNDER PLASTER BLINDS BOX/BASIC

5.8. Wire handles

 All grips come with a tensioner.

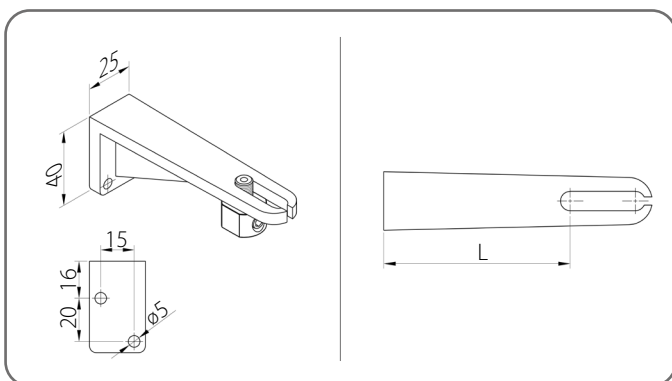
UDL/1



	Catalogue code	L [mm]
1.	UDL/1/90/x	50 - 90
2.	UDL/1/128/x	88 - 128
3.	UDL/1/165/x	125 - 165
4.	UDL/1/200/x	160 - 200

x	Colour	x	Colour	x	Colour	x	Colour
00	mill finish	21	black grey	34	quartz grey	80B	graphite grey
01	silver	22B	ultra white	37B	grey aluminium	82	alpine white
03B	grey	23B	anthracite grey	45	beige satin	IK	different colour
09	brown	29	light beige	73B	mouse grey		
16B	ivory	31B	light grey	74B	copper bronze		
20B	black	33	basalt grey	75B	metallic grey		

UDL/2



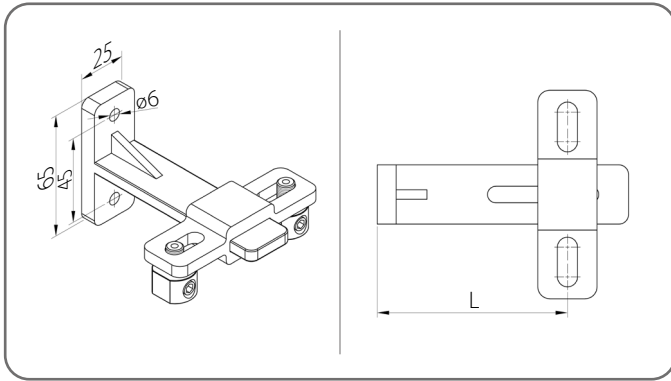
	Catalogue code	L [mm]
1.	UDL/2/50/x	29 - 50
2.	UDL/2/76/x	55 - 76
3.	UDL/2/104/x	83 - 104
4.	UDL/2/132/x	111 - 132
5.	UDL/2/160/x	139 - 160

x	Colour	x	Colour	x	Colour	x	Colour
00	mill finish	21	black grey	34	quartz grey	80B	graphite grey
01	silver	22B	ultra white	37B	grey aluminium	82	alpine white
03B	grey	23B	anthracite grey	45	beige satin	IK	different colour
09	brown	29	light beige	73B	mouse grey		
16B	ivory	31B	light grey	74B	copper bronze		
20B	black	33	basalt grey	75B	metallic grey		

**CATALOGUE - TECHNICAL GUIDE FOR EXTERNAL
VENETIAN BLINDS (FACADE) SZF SKYFLOW SYSTEM**

Z 90 / 5. UNDER PLASTER BLINDS BOX/BASIC

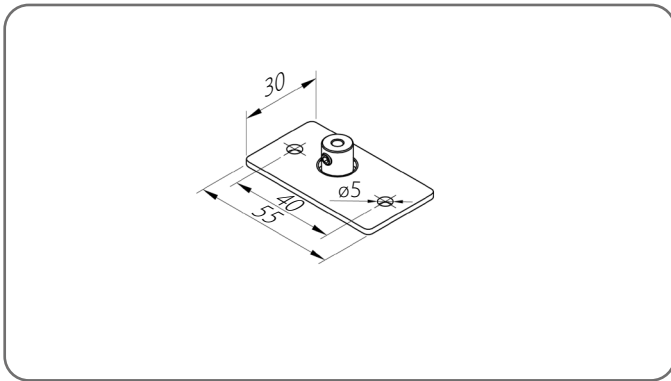
UDL/4



	Catalogue code	L [mm]
1.	UDL/4/90/x	50 - 90
2.	UDL/4/128/x	88 - 128
3.	UDL/4/165/x	125 - 165
4.	UDL/4/200/x	160 - 200

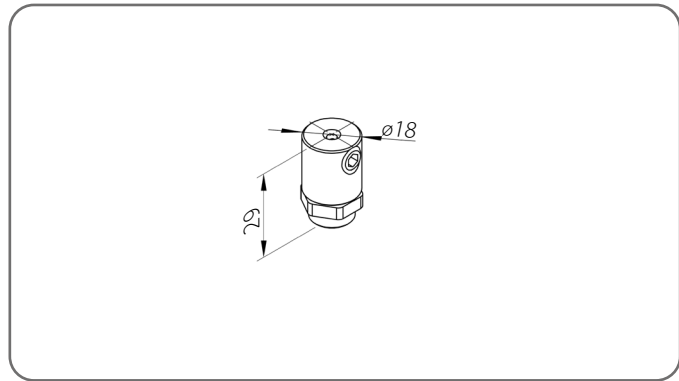
x	Colour	x	Colour	x	Colour	x	Colour
00	mill finish	21	black grey	34	quartz grey	80B	graphite grey
01	silver	22B	ultra white	37B	grey aluminium	82	alpine white
03B	grey	23B	anthracite grey	45	beige satin	IK	different colour
09	brown	29	light beige	73B	mouse grey		
16B	ivory	31B	light grey	74B	copper bronze		
20B	black	33	basalt grey	75B	metallic grey		

UDL/3/x



x	Colour
AND	anodised

UDL/5



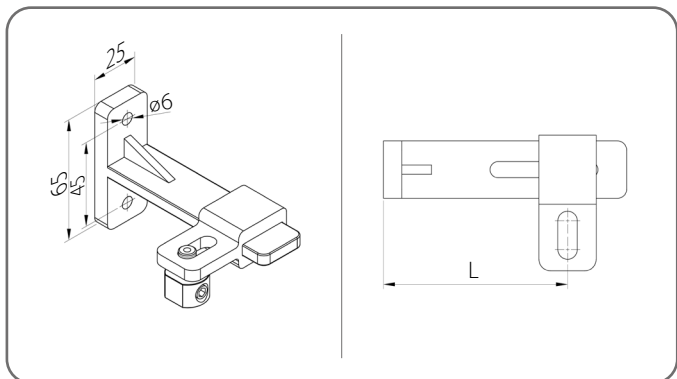
**CATALOGUE - TECHNICAL GUIDE FOR EXTERNAL
VENETIAN BLINDS (FACADE) SZF SkyFLOW SYSTEM**

Z 90 / 5. UNDER PLASTER BLINDS BOX/BASIC

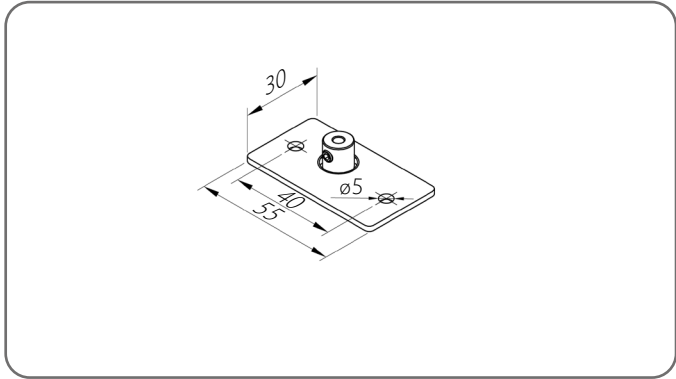
5.8.1. Guide channel wire reinforcement

 All grips come with a tensioner.

UDL/1

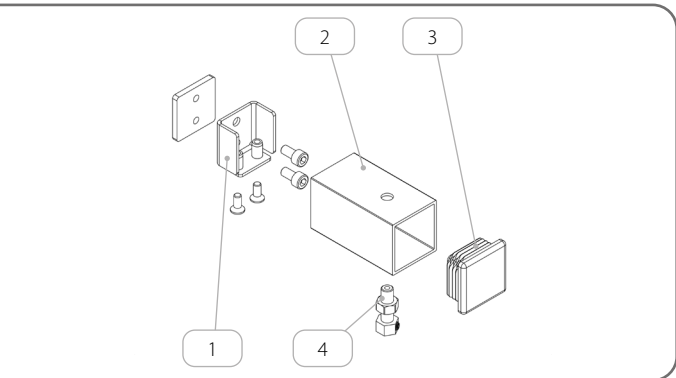
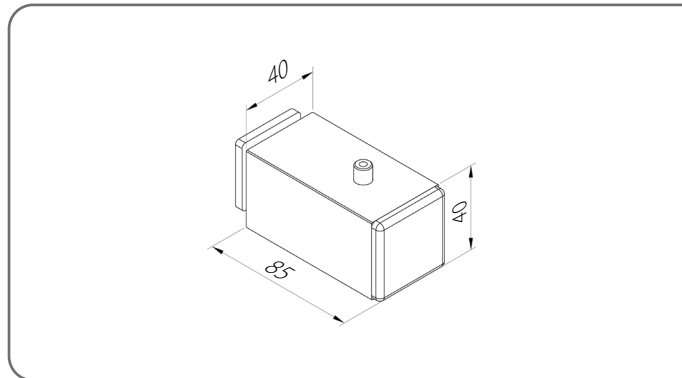


UDL/3/x



	Catalogue code	L [mm]
1.	UDL/1/90/x	50 - 90
2.	UDL/1/128/x	88 - 128
3.	UDL/1/165/x	125 - 165
4.	UDL/1/200/x	160 - 200

WZLP/40x40x2/x



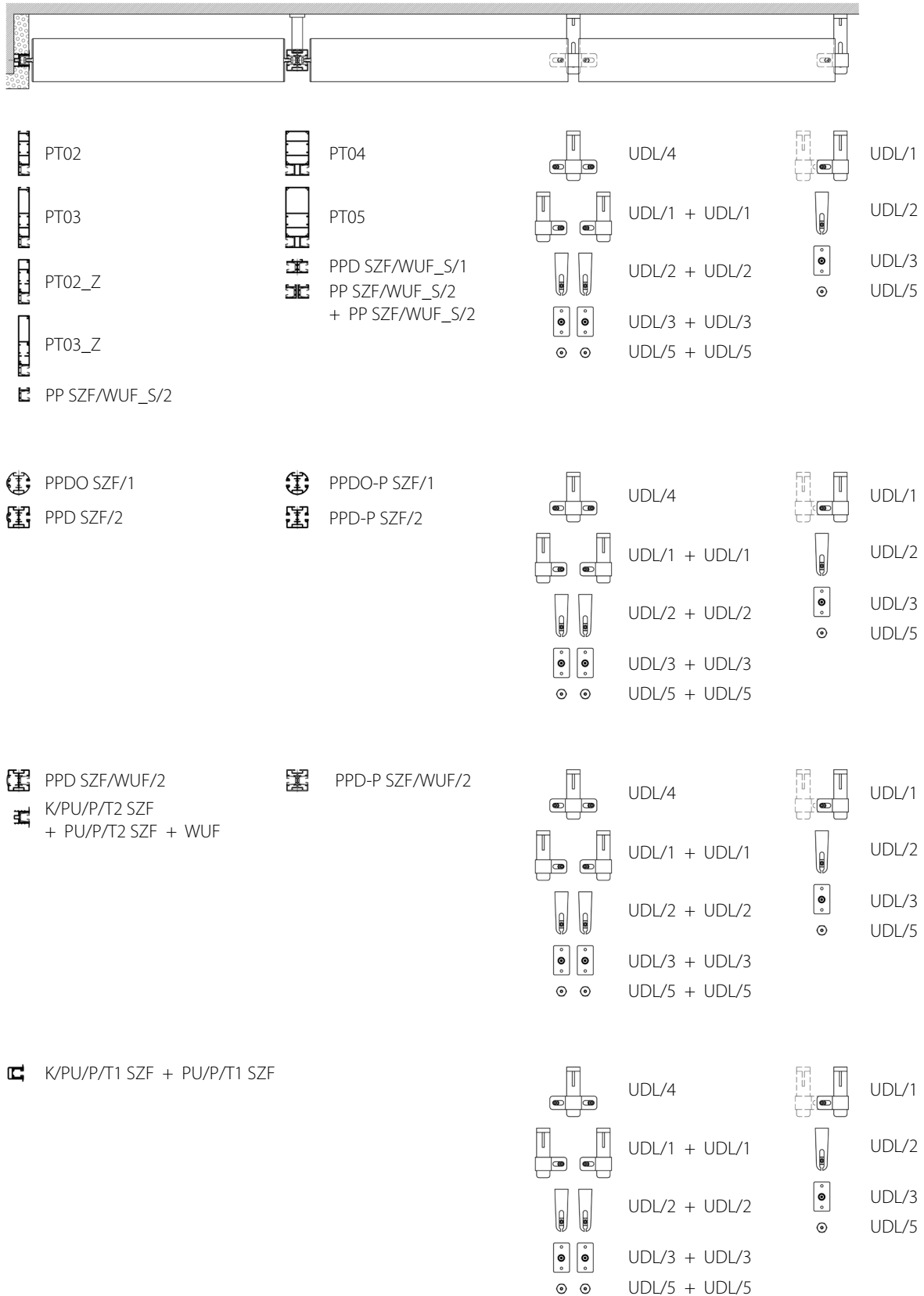
	Name of the component	Catalogue code	Colour
1.	Reinforcement fixing set	ZM/WZLP/40x40x2	
2.	Mounting profile	U/WZLP/40x40x2/x	<i>colour table x</i>
3.	Cap	Z/WZLP/40x40x2/x	02 - white 20B - black 23B - anthracite grey
4.	Cable tensioner	NLS	

x	Colour	x	Colour	x	Colour	x	Colour
00	mill finish	21	black grey	34	quartz grey	80B	graphite grey
01	silver	22B	ultra white	37B	grey aluminium	82	alpine white
03B	grey	23B	anthracite grey	45	beige satin	IK	different colour
09	brown	29	light beige	73B	mouse grey		
16B	ivory	31B	light grey	74B	copper bronze		
20B	black	33	basalt grey	75B	metallic grey		

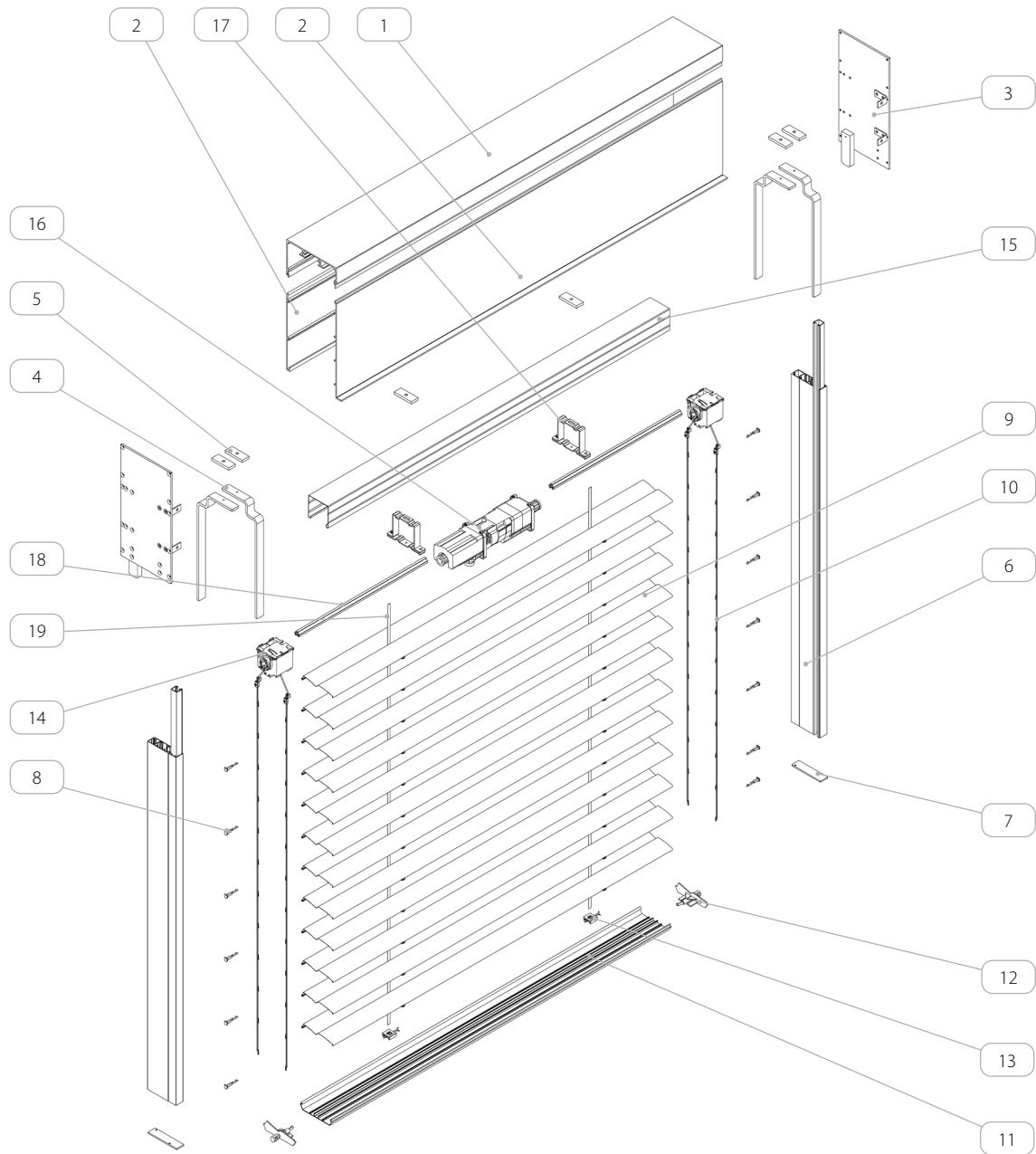
5.9. Blinds joining

 A common drive for up to 3 blinds can be used.

The division of Venetian blinds



6. UNDER PLASTER BLINDS BOX/EDGE



Name of the component	
1.	Box
2.	Extension of the under plaster box
3.	End cap
4.	Top handle
5.	Rail handle mounting bracket
6.	Guide channel
7.	Guide channel side lock
8.	Pin to Z 90
9.	Profile Z 90
10.	Ladder braid Z 90
11.	Bottom rail
12.	Blind for end slat
13.	Lift tape and end slat - connector
14.	Mechanism - 8 mm belt
15.	Steel rail - galvanised
16.	Drive
17.	Guide rail bracket
18.	Shaft 14 mm
19.	Strap 8 mm

CATALOGUE - TECHNICAL GUIDE FOR EXTERNAL VENETIAN BLINDS (FACADE) SZF SkyFlow SYSTEM

Z 90 / 6. UNDER PLASTER BLINDS BOX/EDGE

6.1. General information



Where:

A - HEIGHT OF THE PACKAGE [mm]

B - BLINDS HEIGHT [mm]

C - COVER HEIGHT [mm]

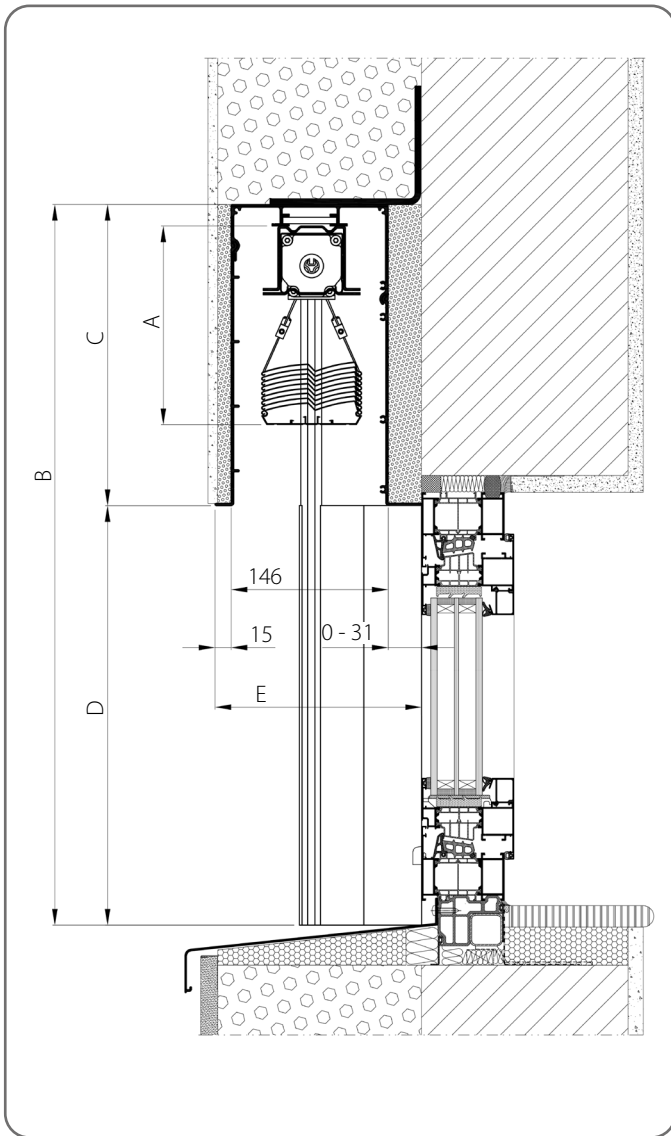
D - CLEAR HEIGHT [mm]

E - INSTALLATION DEPTH [mm]

M - WIDTH OF THE PACKAGE / SLAT [mm]

N - VENETIAN BLIND WIDTH [mm]

The measurement and installation of the venetian blind should be performed by a qualified installer.



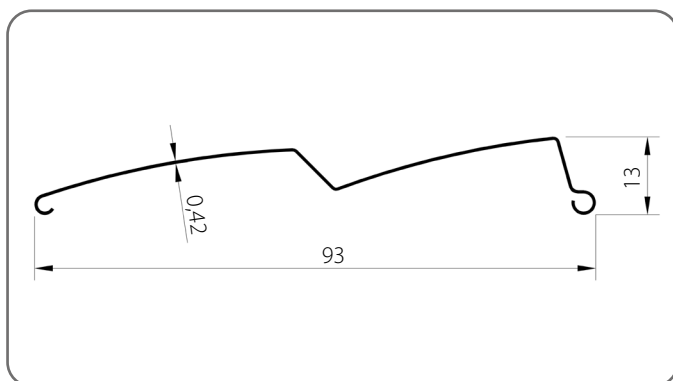
	A [mm]	B [mm]	Venetian blind with guide and/or cable guide		Venetian blind with cable reinforcement	
			C [mm]	D [mm]	C [mm]	D [mm]
1.	130	600 - 820	220	380 - 1600	220	380 - 1600
2.	140	821 - 1020				
3.	160	1021 - 1220				
4.	170	1221 - 1420				
5.	190	1421 - 1620				
6.	200	1621 - 1820				
7.	220	1821 - 2020	280	1541 - 2340	280	1541 - 2340
8.	230	2021 - 2220				
9.	250	2221 - 2420				
10.	260	2421 - 2620	350	2271 - 3170	350	2271 - 3170
11.	270	2621 - 2820				
12.	290	2821 - 3020				
13.	300	3021 - 3220				
14.	310	3221 - 3520				
15.	330	3521 - 3620	400	3121 - 3920	400	3121 - 3920
16.	340	3621 - 3820				
17.	360	3821 - 4320				
18.	400	4321 - 5000	460	3861 - 4540	460	3861 - 4540

When dimensioning the Venetian blinds, the planned width of the insulation layer overlapping the window should be taken into account.

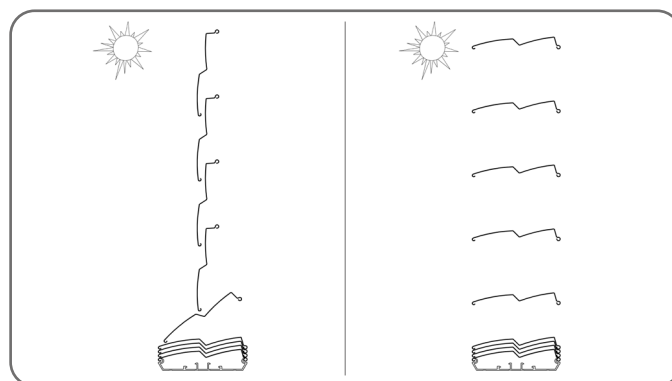
**CATALOGUE - TECHNICAL GUIDE FOR EXTERNAL
VENETIAN BLINDS (FACADE) SZF SkyFLOW SYSTEM**

Z 90 / 6. UNDER PLASTER BLINDS BOX/EDGE

Slat Z 90/x

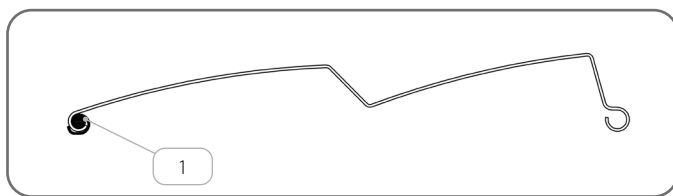


Slats rotation range - 90°



x	Colour	x	Colour	x	Colour	x	Colour
01	silver	21	black grey	33	basalt grey	74B	copper bronze
03B	grey	22B	ultra white	34	quartz grey	75B	metallic grey
09	brown	23B	anthracite grey	37B	grey aluminium	80B	graphite grey
16B	ivory	29	light beige	45	beige satin	82	alpine white
20B	black	31B	light grey	73B	mouse grey		

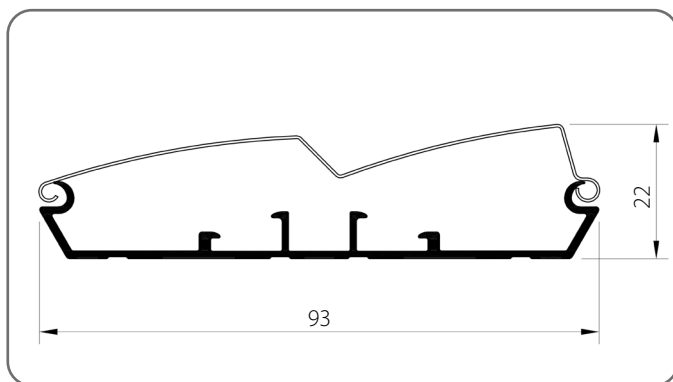
Slat soundproofing seal



	Name of the component	Catalogue code
1.	Slat soundproofing seal	UWZ90/x

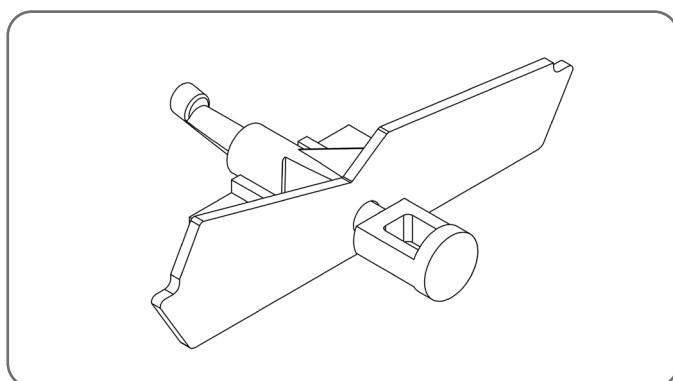
x	Colour
03	grey

Open end slat BOA/Z90/x



x	Colour	x	Colour
00	mill finish	33	basalt grey
01	silver	34	quartz grey
03B	grey	37B	grey aluminium
09	brown	45	beige satin
16B	ivory	73B	mouse grey
20B	black	74B	copper bronze
21	black grey	75B	metallic grey
22B	ultra white	80B	graphite grey
23B	anthracite grey	82	alpine white
29	light beige	IK	different colour
31B	light grey		

End slat blind Z BOA/Z90/x

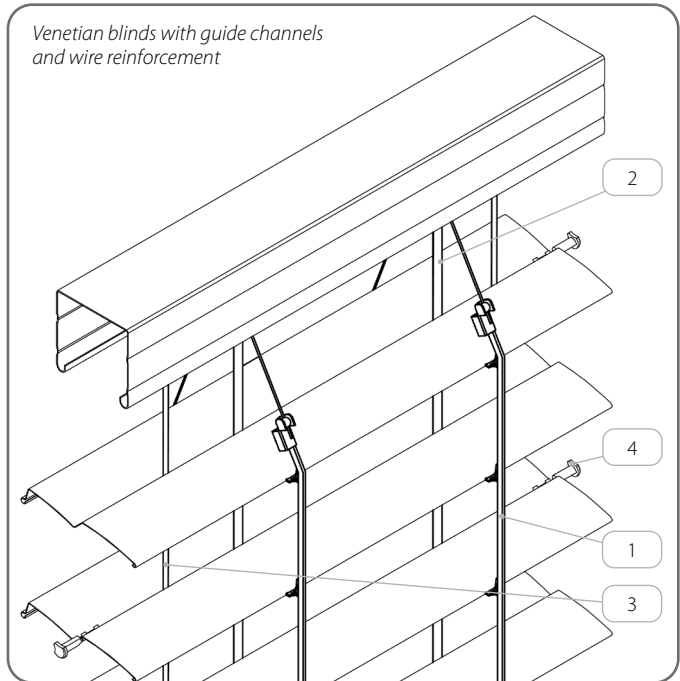
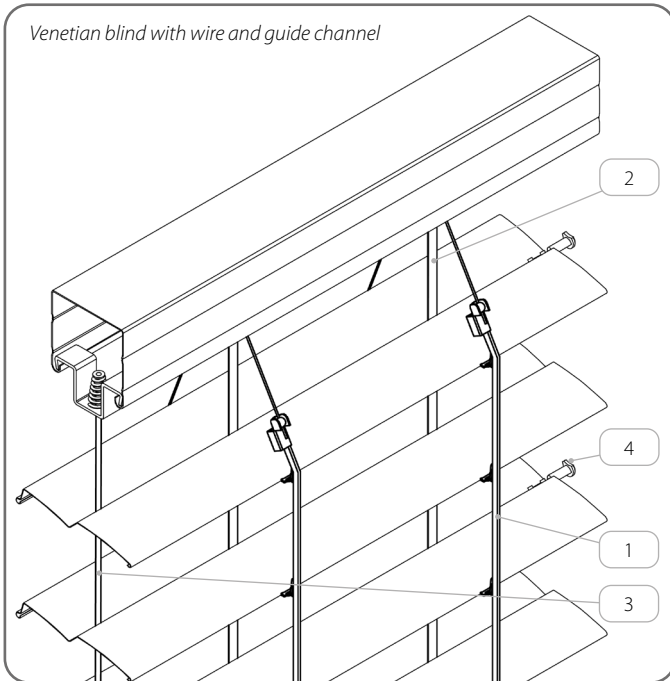
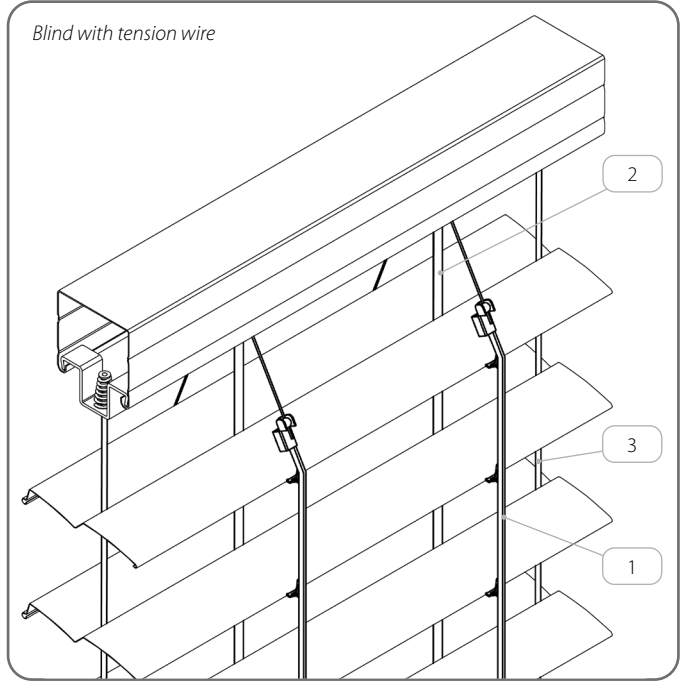
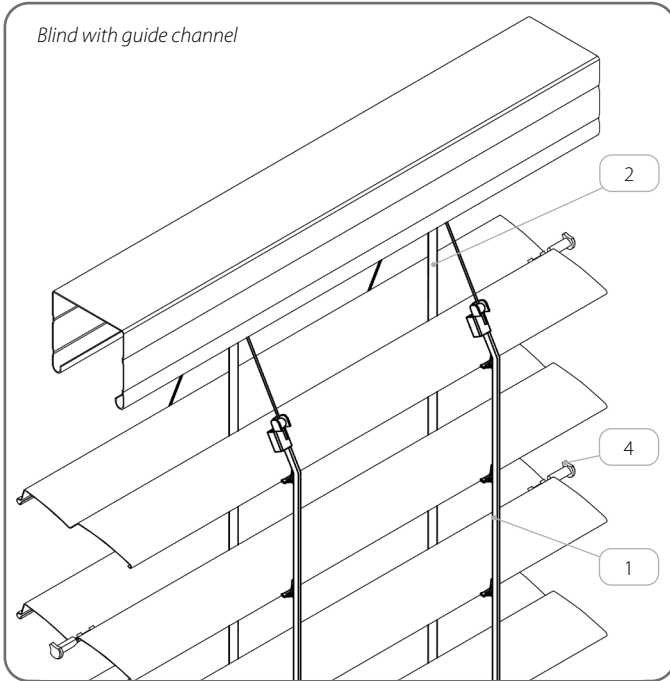


x	Colour
03	grey
20	black

**CATALOGUE - TECHNICAL GUIDE FOR EXTERNAL
VENETIAN BLINDS (FACADE) SZF SkyFlow SYSTEM**

Z 90 / 6. UNDER PLASTER BLINDS BOX/EDGE

Additional accessories

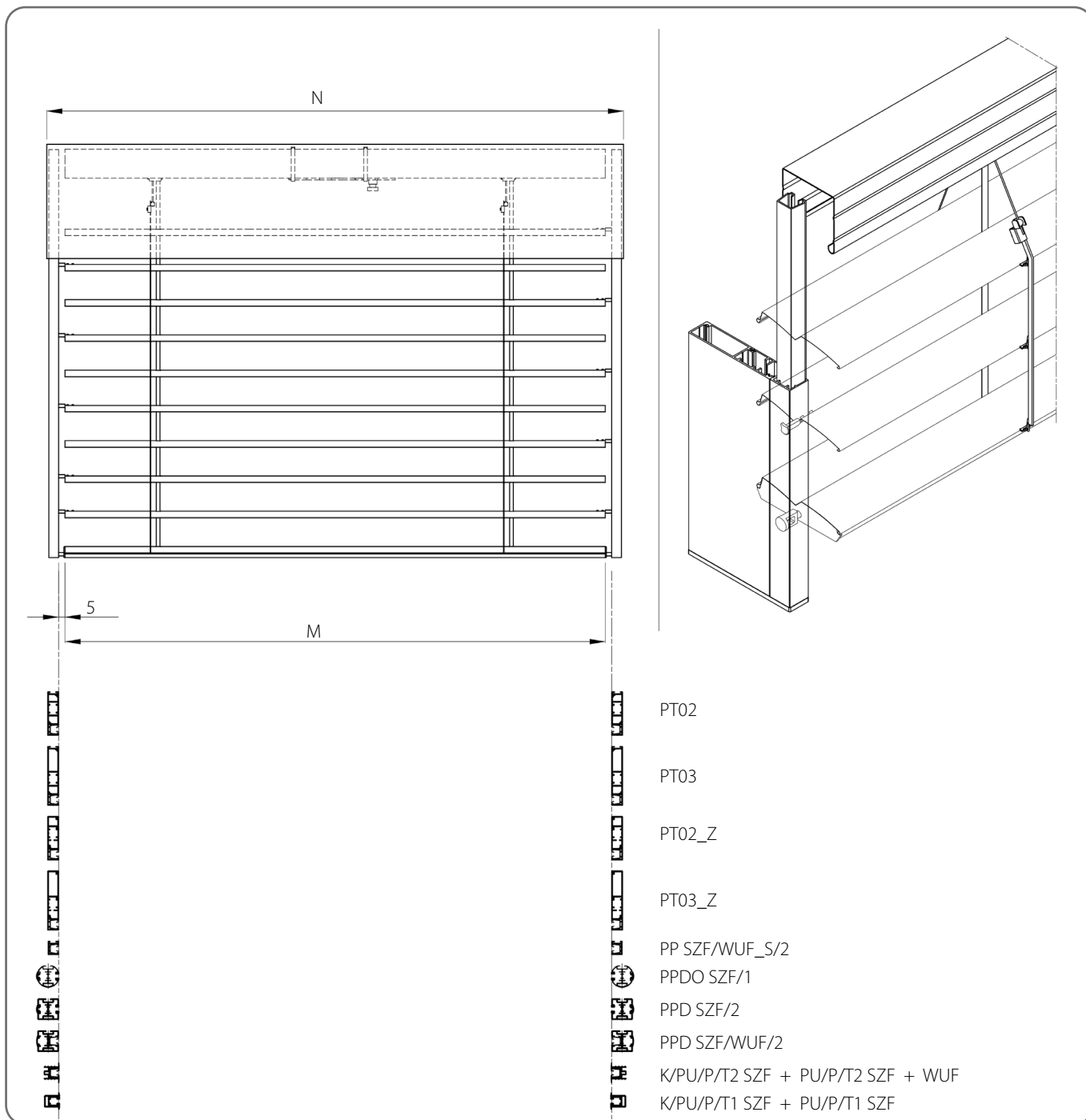


	Name of the component	Catalogue code
1.	Ladder braid Z 90	D/Z90/x
2.	Strap 8 mm	P SZF/8/x
3.	Steel wire Ø 3, PVC coated	LS SZF/3/x
4.	Pin to Z 90 - steel	P/S/Z90

x	Colour
03	grey
20	black

 Pins are mounted on every other slat for Venetian blinds with guide channels.

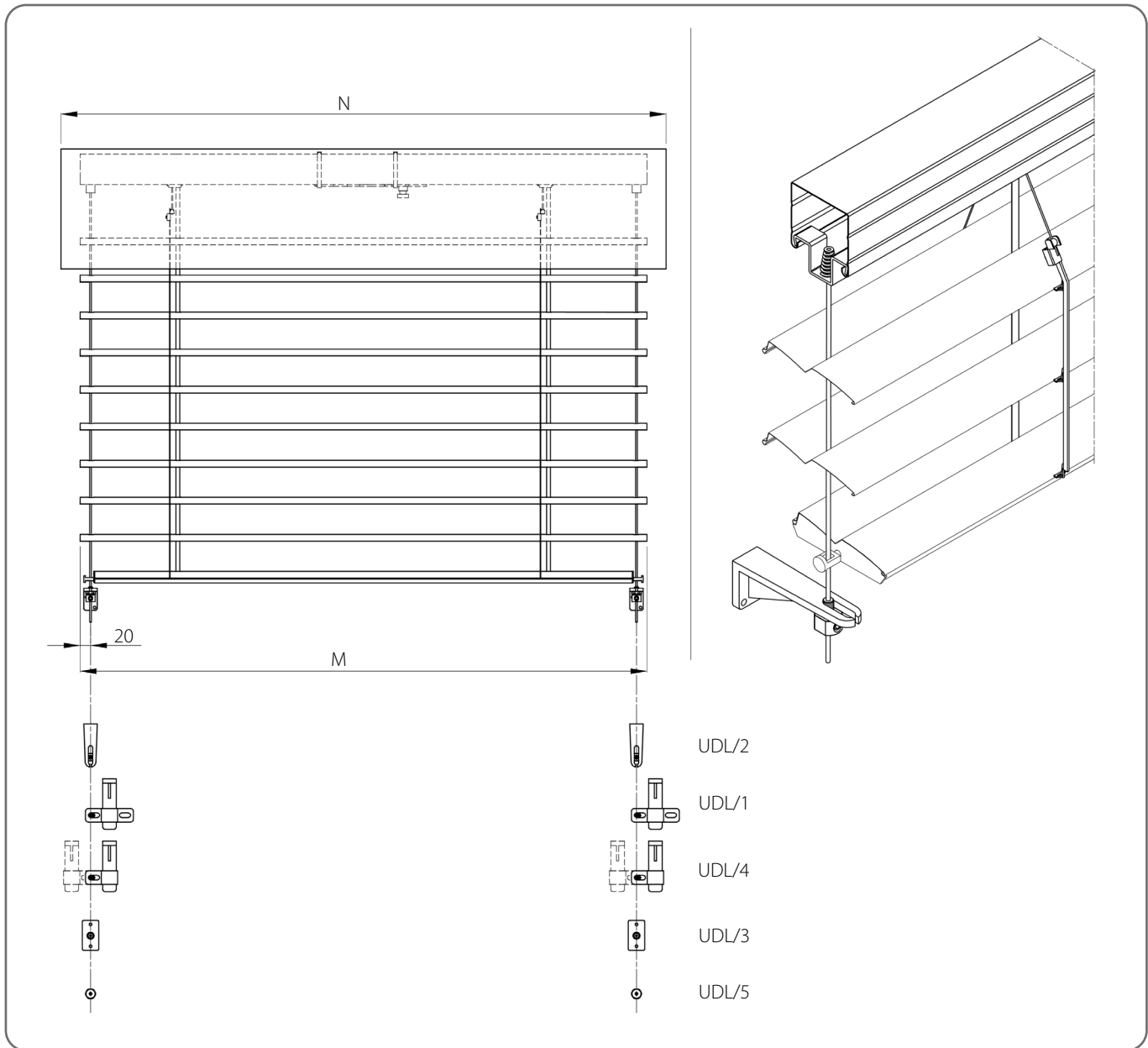
6.1.1. Blind with guide channel



Technical specifications									
Minimum		Maximum		Maximum surface [m ²]	Corner blinds	Electric drive	Motor with emergency opening	Manual drive	Installation
Width [mm]	Height [mm]	Width [mm]	Height [mm]						
600	600	4500	5000	22,5	NO	YES	YES	YES	External

! When dimensioning the Venetian blinds, the planned width of the insulation layer overlapping the window should be taken into account.

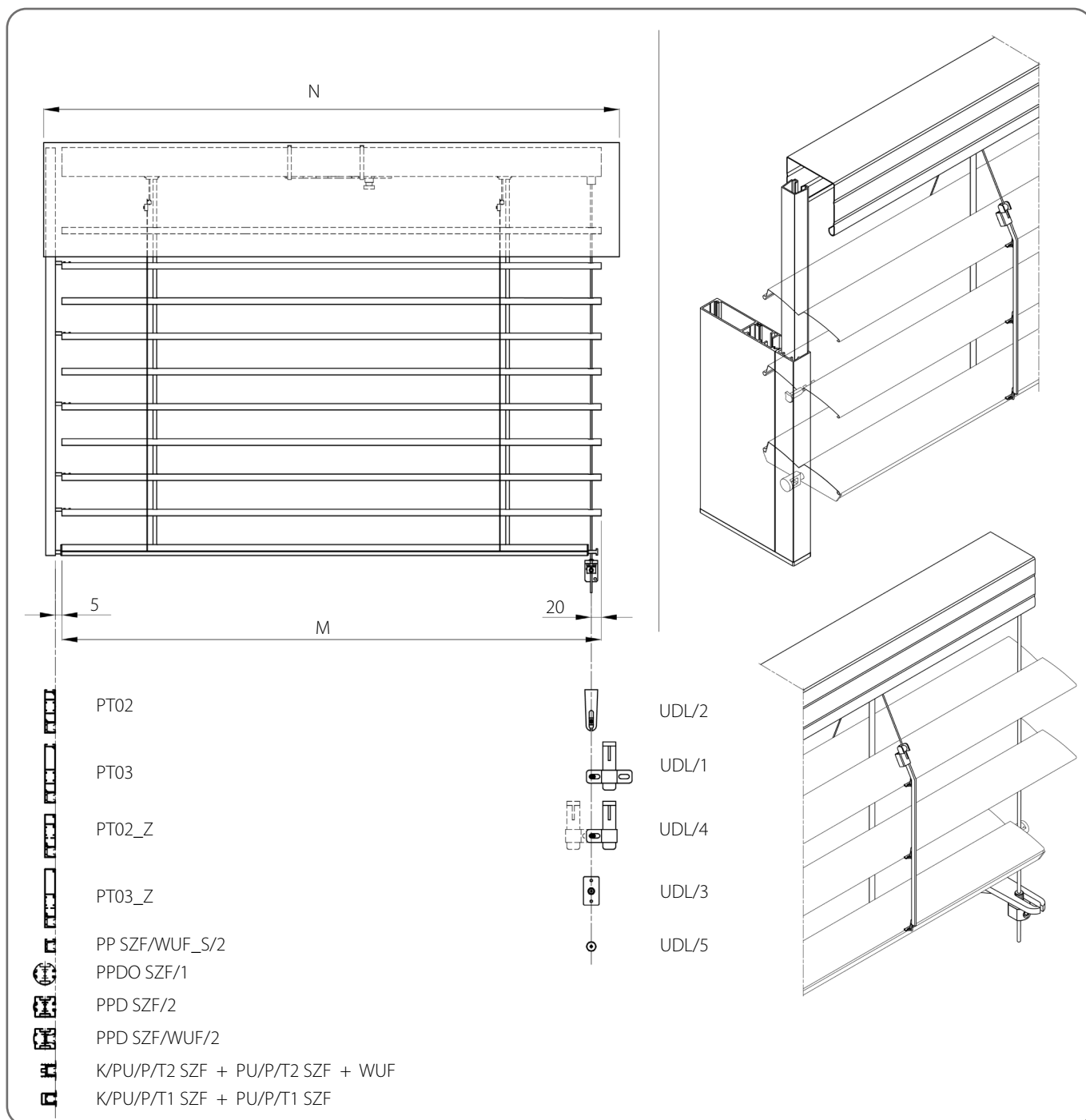
6.1.2. Blind with tension wire



Technical specifications								
Minimum		Maximum	Maximum surface [m ²]	Corner blinds	Electric drive	Motor with emergency opening	Manual drive	Installation
Width [mm]	Height [mm]	Width x Height [mm]						
600	600	3000 x 4000 4000 x 2500	12	NO	YES	YES	YES	External

 When dimensioning the Venetian blinds, the planned width of the insulation layer overlapping the window should be taken into account.

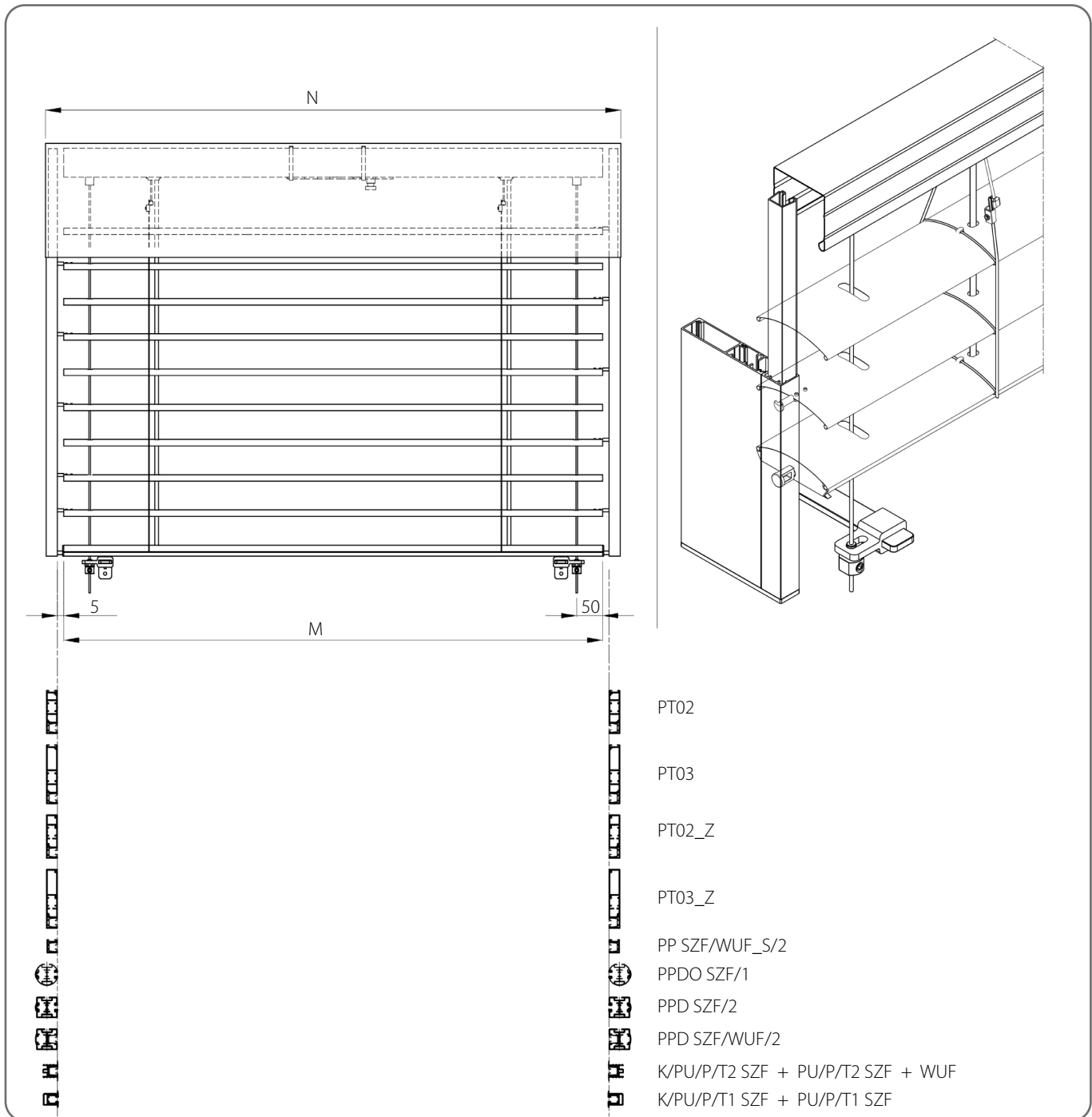
6.1.3. Venetian blind with wire and guide channel



Technical specifications								
Minimum		Maximum	Maximum surface [m ²]	Corner blinds	Electric drive	Motor with emergency opening	Manual drive	Installation
Width [mm]	Height [mm]	Width x Height [mm]						
600	600	3000 x 4000 4000 x 2500	12	NO	YES	YES	YES	External

 When dimensioning the Venetian blinds, the planned width of the insulation layer overlapping the window should be taken into account.

6.1.4. Venetian blinds with guide channels and wire reinforcement



Technical specifications									
Minimum		Maximum		Maximum surface [m ²]	Corner blinds	Electric drive	Motor with emergency opening	Manual drive	Installation
Width [mm]	Height [mm]	Width [mm]	Height [mm]						
600	600	5000	5000	25	NO	YES	YES	YES	External

When dimensioning the Venetian blinds, the planned width of the insulation layer overlapping the window should be taken into account.

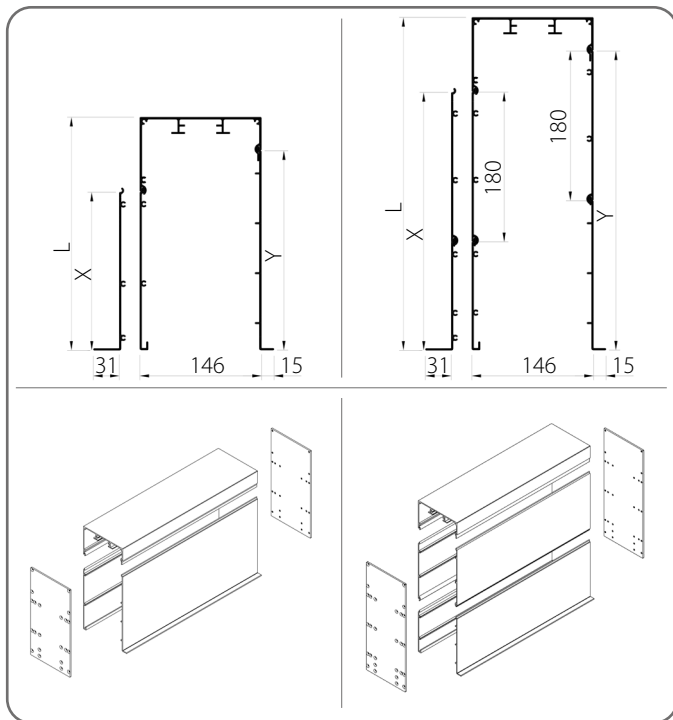
**CATALOGUE - TECHNICAL GUIDE FOR EXTERNAL
VENETIAN BLINDS (FACADE) SZF SkyFLOW SYSTEM**

Z 90 / 6. UNDER PLASTER BLINDS BOX/EDGE

6.2. Box

 It is possible to configure the blinds without the box.

Under plaster box

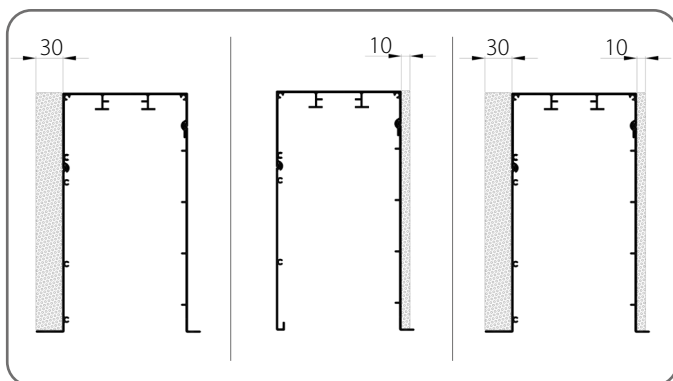


	L [mm]	X [mm]	Y [mm]
1.	220	130	180
2.	280	190	240
3.	350	260	310
4.	400	310	360
5.	460	370	420

x	Colour	x	Colour
00	mill finish	33	basalt grey
01	silver	34	quartz grey
03B	grey	37B	grey aluminium
09	brown	45	beige satin
16B	ivory	73B	mouse grey
20B	black	74B	copper bronze
21	black grey	75B	metallic grey
22B	ultra white	80B	graphite grey
23B	anthracite grey	82	alpine white
29	light beige	IK	different colour
31B	light grey		

 Maximum width for a single element - 6 m.

6.2.1. Plaster foundation



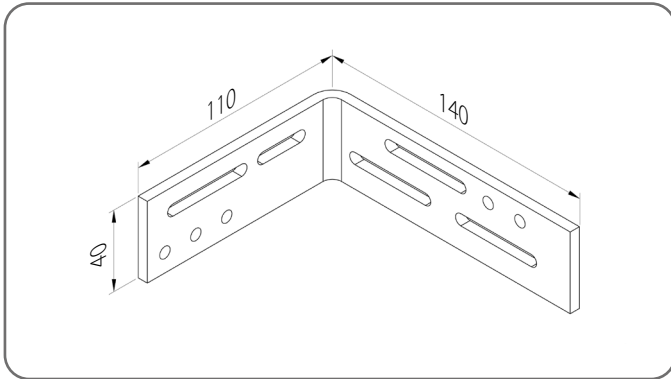
	Catalogue code	Name of the component
1.	NT/XPS/10	Plaster foundation NT/XPS/10
2.	NT/XPS/30	Plaster foundation NT/XPS/30

**CATALOGUE - TECHNICAL GUIDE FOR EXTERNAL
VENETIAN BLINDS (FACADE) SZF SKYFLOW SYSTEM**

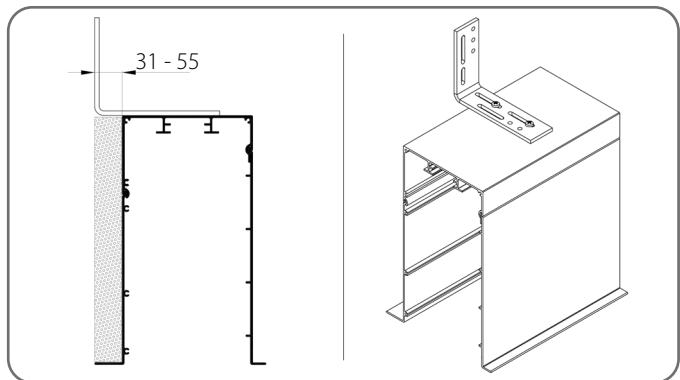
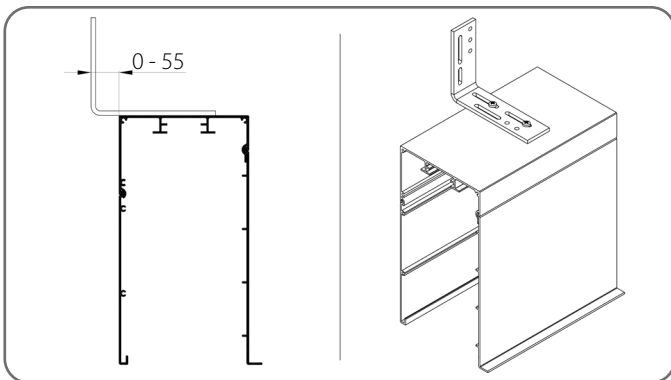
Z 90 / 6. UNDER PLASTER BLINDS BOX/EDGE

6.2.2. Mounting angle

KMK/140x110

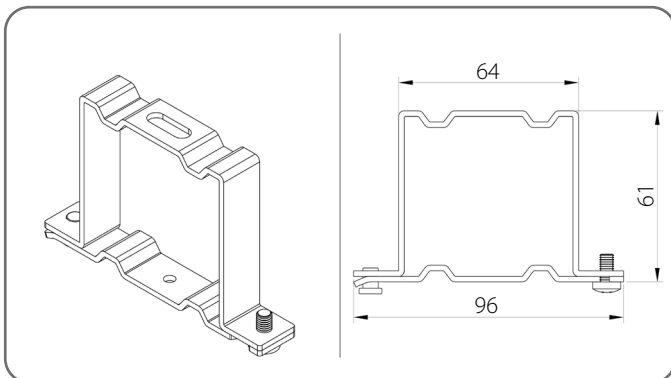


	Width of box [mm]	Number of angles
1.	600 - 1600	3
2.	1601 - 2400	4
3.	2401 - 3200	5
4.	3201 - 4000	6
5.	4001 - 4500	7
6.	4501 - 5000	8
7.	5001 - 5500	9
8.	5501 - 6000	10

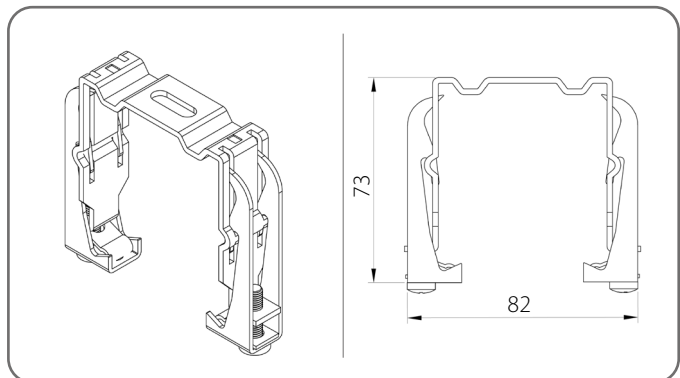


6.3. Top guide rail bracket

Standard guide rail bracket - US/A



Springy guide rail bracket - US/B



Number of top rail handles

Venetian blind width [mm]	600 - 1600	1601 - 2400	2401 - 3200	3201 - 4000	4001 - 4500	4501 - 5000
Quantity	2	3	4	5	6	7

**CATALOGUE - TECHNICAL GUIDE FOR EXTERNAL
VENETIAN BLINDS (FACADE) SZF SkyFLOW SYSTEM**

Z 90 / 6. UNDER PLASTER BLINDS BOX/EDGE

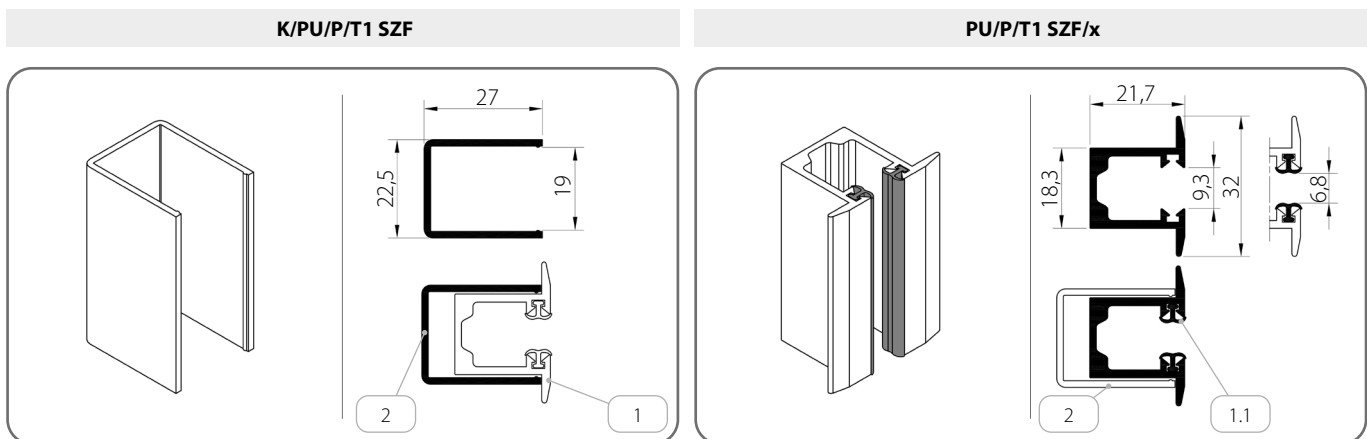
6.4. Other information

Blinds height [mm]	Slat width [mm]						
600 - 2500	1400	2400	3400	4400	5000	-	-
2501 - 3000	1300	2200	3100	4000	4900	5000	-
3001 - 4500	1200	2000	2800	3600	4400	5000	-
4501 - 5000	1100	1800	2500	3200	3900	4600	5000
Number of strap mechanisms	2	3	4	5	6	7	8

Guide channel handle				
Blinds height [mm]	600 - 1600	1601 - 2600	2601 - 3600	3601 - 4400
Number of handles [for 1 pcs guide channel]	2	3	4	5

6.5. Guide channels

6.5.1. Guide channels - I Group

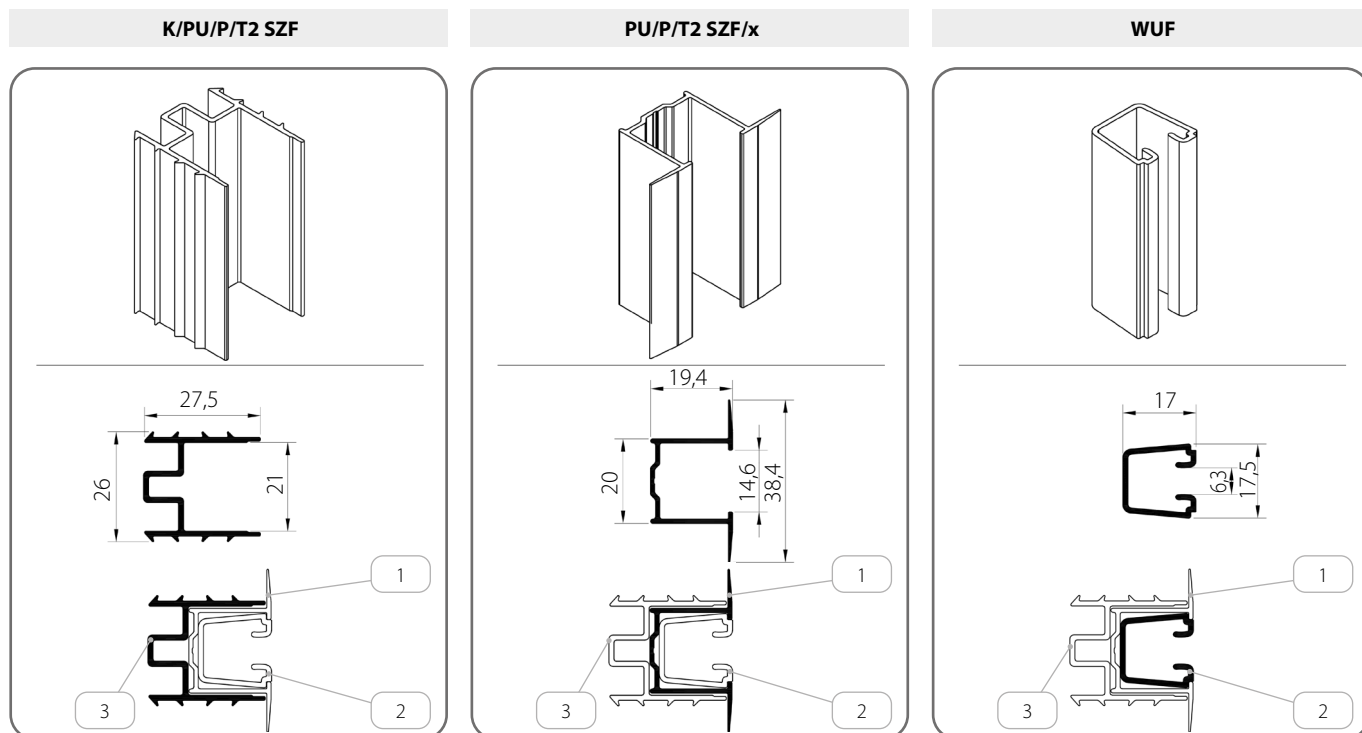


	Name of the component	Colour	Catalogue code
1.	Under plaster simple guide channel	x	PU/P/T1 SZF/x
1.1.	Damping seal	20 - black	-
2.	Under plaster simple guide channel pocket	-	K/PU/P/T1 SZF

x	Colour	x	Colour	x	Colour	x	Colour
00	mill finish	21	black grey	34	quartz grey	80B	graphite grey
01	silver	22B	ultra white	37B	grey aluminium	82	alpine white
03B	grey	23B	anthracite grey	45	beige satin	IK	different colour
09	brown	29	light beige	73B	mouse grey		
16B	ivory	31B	light grey	74B	copper bronze		
20B	black	33	basalt grey	75B	metallic grey		

**CATALOGUE - TECHNICAL GUIDE FOR EXTERNAL
VENETIAN BLINDS (FACADE) SZF SKYFLOW SYSTEM**

Z 90 / 6. UNDER PLASTER BLINDS BOX/EDGE

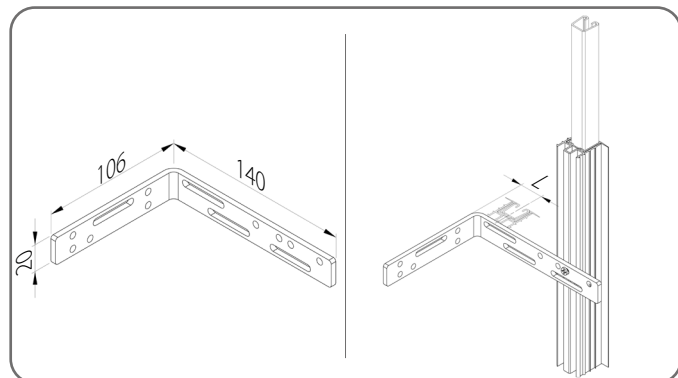


	Name of the component	Colour	Catalogue code
1.	Under plaster simple guide channel	x	PU/P/T2 SZF/x
2.	Guide channels insert	20 - black	WUF
3.	Under plaster simple guide channel pocket	-	K/PU/P/T2 SZF

x	Colour	x	Colour	x	Colour	x	Colour
00	mill finish	21	black grey	34	quartz grey	80B	graphite grey
01	silver	22B	ultra white	37B	grey aluminium	82	alpine white
03B	grey	23B	anthracite grey	45	beige satin	IK	different colour
09	brown	29	light beige	73B	mouse grey		
16B	ivory	31B	light grey	74B	copper bronze		
20B	black	33	basalt grey	75B	metallic grey		

6.5.1.1. Mounting angle

KMK/140x100



	Catalogue code	L [mm]
1.	KMK/140x100	15 - 130

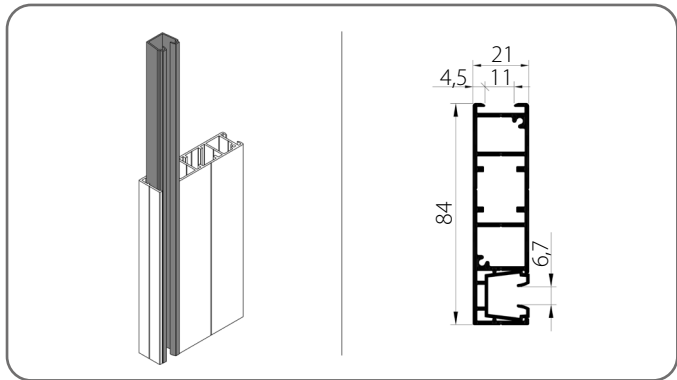
	Blinds height [mm]	Number of angles [for 1 pcs guide channel]
1.	600 - 1600	2
2.	1601 - 2600	3
3.	2601 - 3600	4
4.	3601 - 4400	5

**CATALOGUE - TECHNICAL GUIDE FOR EXTERNAL
VENETIAN BLINDS (FACADE) SZF SkyFLOW SYSTEM**

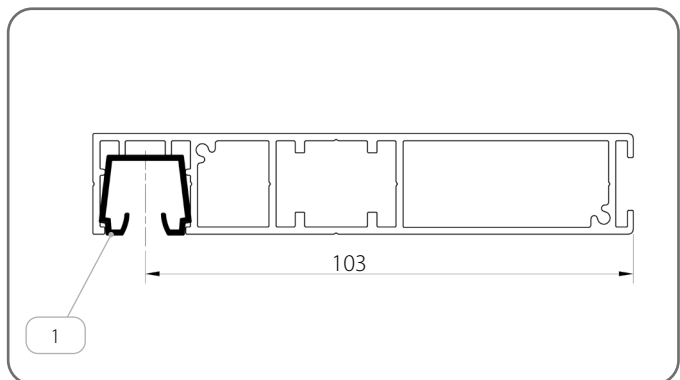
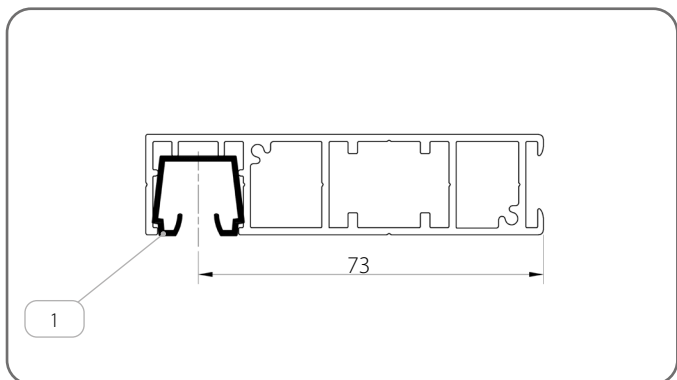
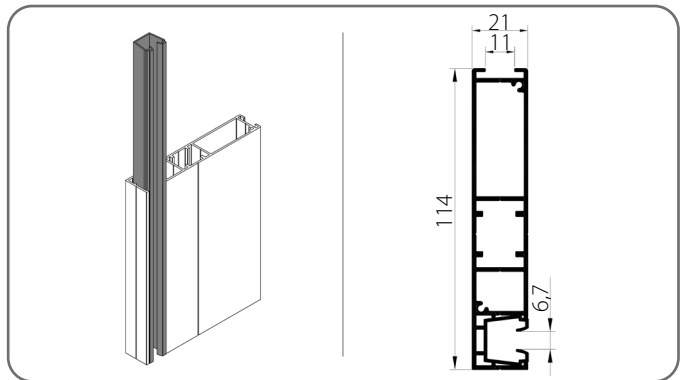
Z 90 / 6. UNDER PLASTER BLINDS BOX/EDGE

6.5.2. Guide channels - Group II

PT02/x



PT03/x

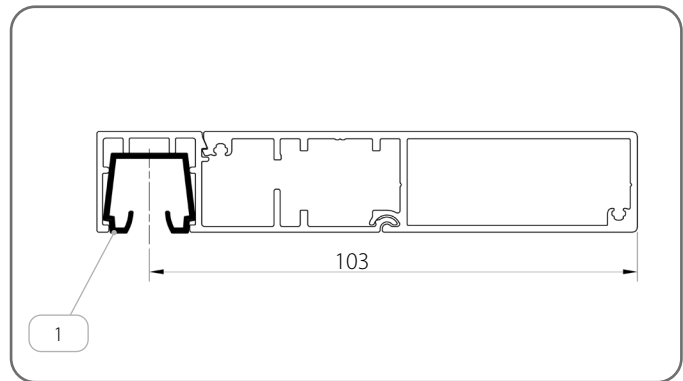
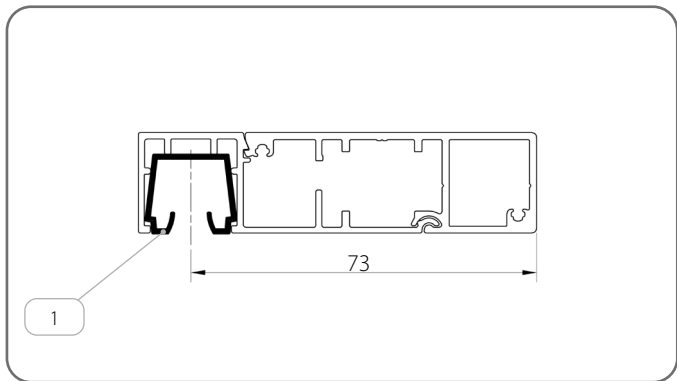
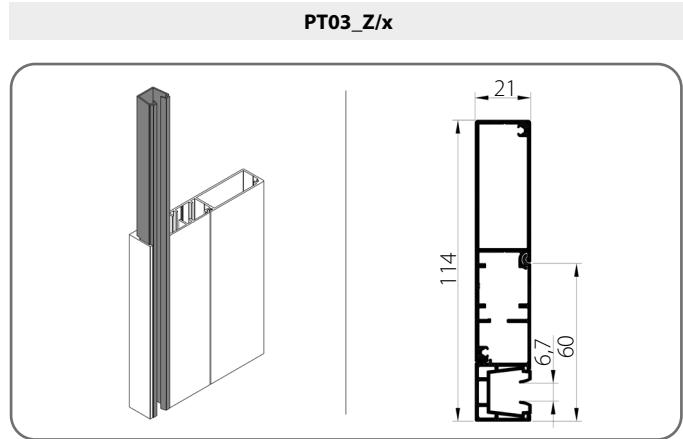
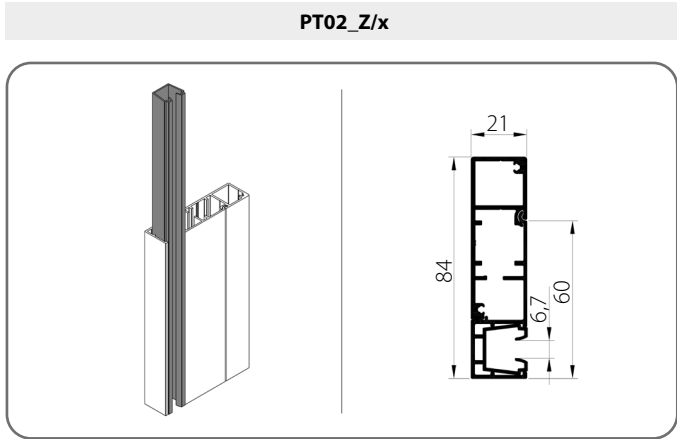


Name of the component		Colour
1.	Guide channels insert	03 - grey 20 - black

x	Colour	x	Colour	x	Colour	x	Colour
00	mill finish	21	black grey	34	quartz grey	80B	graphite grey
01	silver	22B	ultra white	37B	grey aluminium	82	alpine white
03B	grey	23B	anthracite grey	45	beige satin	IK	different colour
09	brown	29	light beige	73B	mouse grey		
16B	ivory	31B	light grey	74B	copper bronze		
20B	black	33	basalt grey	75B	metallic grey		

**CATALOGUE - TECHNICAL GUIDE FOR EXTERNAL
VENETIAN BLINDS (FACADE) SZF SkyFlow SYSTEM**

Z 90 / 6. UNDER PLASTER BLINDS BOX/EDGE



Name of the component		Colour
1.	Guide channels insert	03 - grey 20 - black

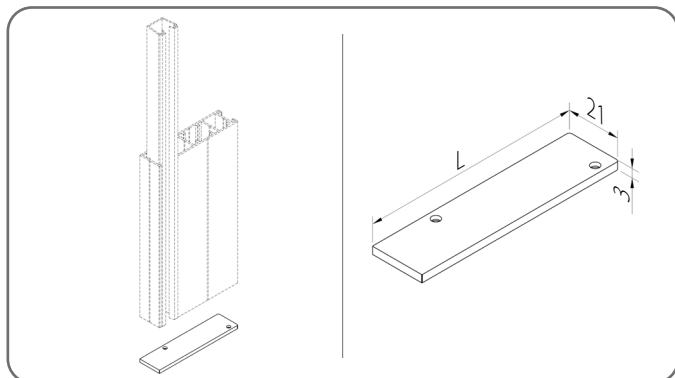
x	Colour	x	Colour	x	Colour	x	Colour
00	mill finish	21	black grey	34	quartz grey	80B	graphite grey
01	silver	22B	ultra white	37B	grey aluminium	82	alpine white
03B	grey	23B	anthracite grey	45	beige satin	IK	different colour
09	brown	29	light beige	73B	mouse grey		
16B	ivory	31B	light grey	74B	copper bronze		
20B	black	33	basalt grey	75B	metallic grey		

**CATALOGUE - TECHNICAL GUIDE FOR EXTERNAL
VENETIAN BLINDS (FACADE) SZF SkyFLOW SYSTEM**

Z 90 / 6. UNDER PLASTER BLINDS BOX/EDGE

6.5.2.1. Guide channel side lock

For guide channels type PT

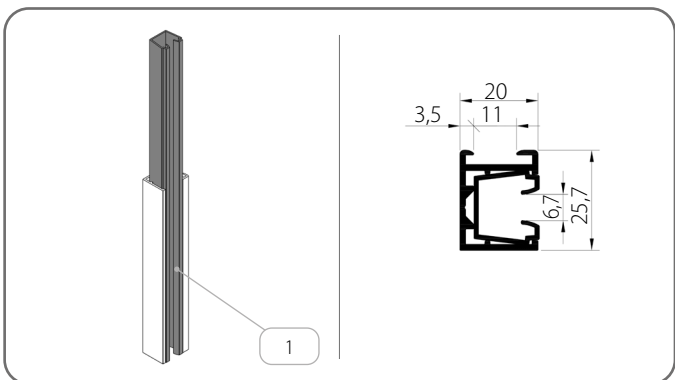


	Catalogue code	L [mm]
1.	ZPT02/x	83,5
2.	ZPT03/x	113
3.	ZPT02_Z/x	83,5
4.	ZPT03_Z/x	113,5

x	Colour	x	Colour	x	Colour	x	Colour
00	mill finish	21	black grey	34	quartz grey	80B	graphite grey
01	silver	22B	ultra white	37B	grey aluminium	82	alpine white
03B	grey	23B	anthracite grey	45	beige satin	IK	different colour
09	brown	29	light beige	73B	mouse grey		
16B	ivory	31B	light grey	74B	copper bronze		
20B	black	33	basalt grey	75B	metallic grey		

6.5.3. Guide channels - Group III

PP SZF/WUF_S/2/x

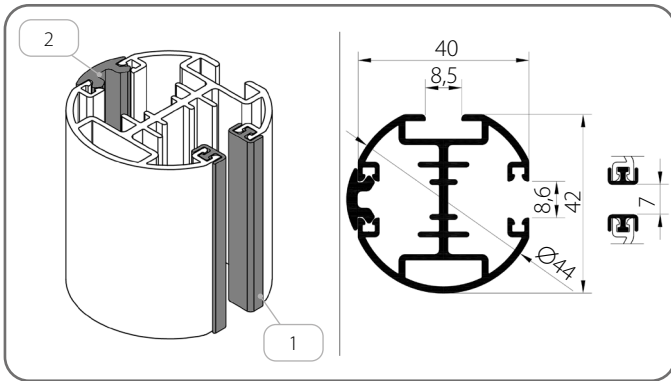


	Name of the component	Colour
1.	Guide channels insert	03 - grey 20 - black

x	Colour	x	Colour	x	Colour	x	Colour
00	mill finish	21	black grey	34	quartz grey	80B	graphite grey
01	silver	22B	ultra white	37B	grey aluminium	82	alpine white
03B	grey	23B	anthracite grey	45	beige satin	IK	different colour
09	brown	29	light beige	73B	mouse grey		
16B	ivory	31B	light grey	74B	copper bronze		
20B	black	33	basalt grey	75B	metallic grey		

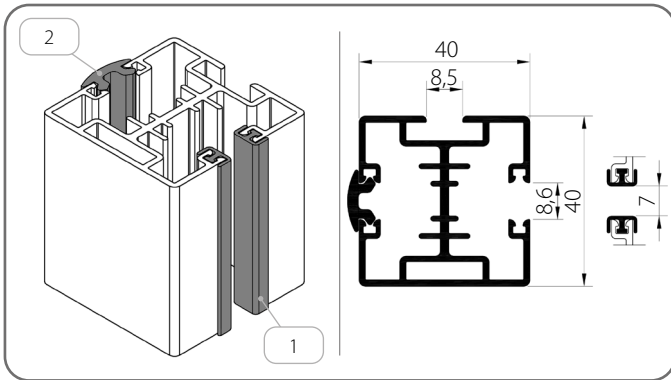
6.5.4. Guide channels - Group IV

PPDO SZF/1/x



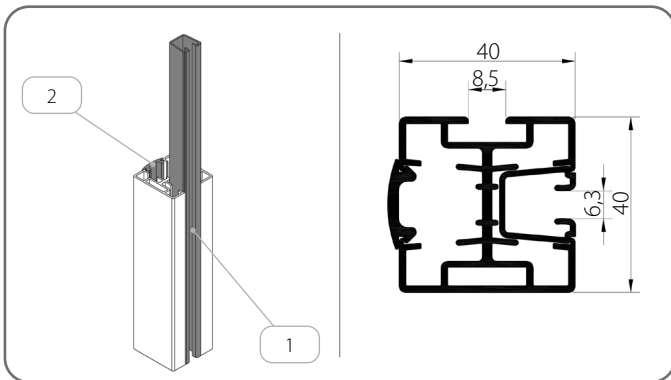
	Name of the component	Colour
1.	Damping seal	20 - black
2.	Masking seal	03 - grey 20 - black

PPD SZF/2/x



	Name of the component	Colour
1.	Damping seal	20 - black
2.	Masking seal	03 - grey 20 - black

PPD SZF/WUF/2/x



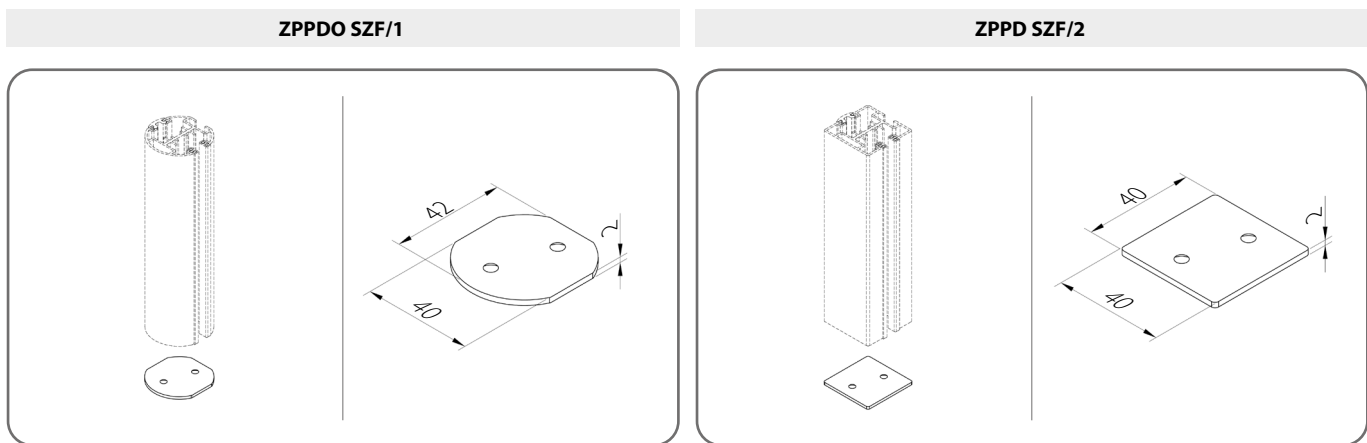
	Name of the component	Colour
1.	Guide channels insert	20 - black
2.	Masking seal	03 - grey 20 - black

x	Colour	x	Colour	x	Colour	x	Colour
00	mill finish	21	black grey	34	quartz grey	80B	graphite grey
01	silver	22B	ultra white	37B	grey aluminium	82	alpine white
03B	grey	23B	anthracite grey	45	beige satin	IK	different colour
09	brown	29	light beige	73B	mouse grey		
16B	ivory	31B	light grey	74B	copper bronze		
20B	black	33	basalt grey	75B	metallic grey		

**CATALOGUE - TECHNICAL GUIDE FOR EXTERNAL
VENETIAN BLINDS (FACADE) SZF SkyFLOW SYSTEM**

Z 90 / 6. UNDER PLASTER BLINDS BOX/EDGE

6.5.4.1. Guide channel side lock

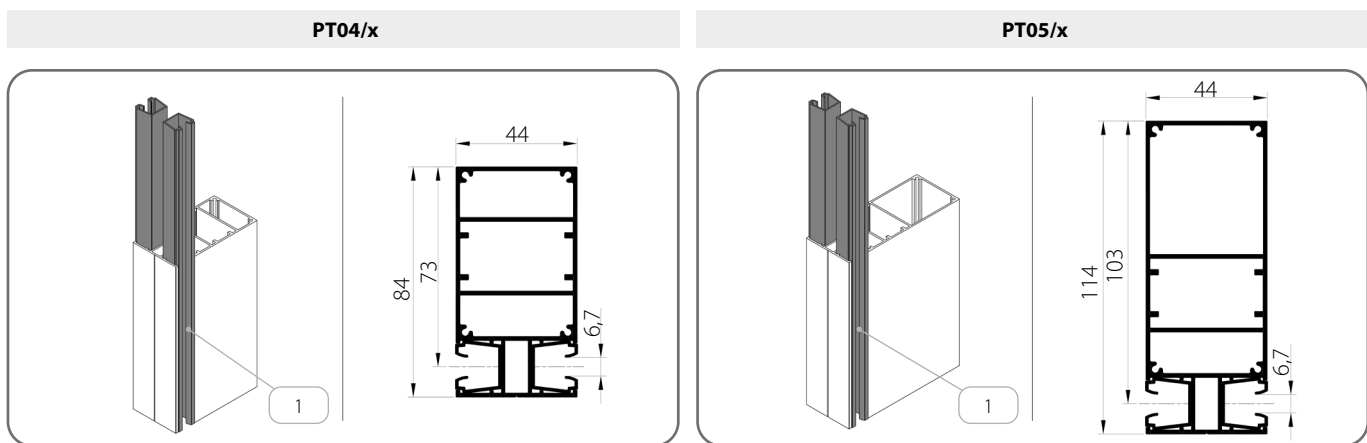


x	Colour	x	Colour	x	Colour	x	Colour
00	mill finish	21	black grey	34	quartz grey	80B	graphite grey
01	silver	22B	ultra white	37B	grey aluminium	82	alpine white
03B	grey	23B	anthracite grey	45	beige satin	IK	different colour
09	brown	29	light beige	73B	mouse grey		
16B	ivory	31B	light grey	74B	copper bronze		
20B	black	33	basalt grey	75B	metallic grey		

Aluminium side lock.

6.6. Division guide channels

6.6.1. Guide channels - Group II



	Name of the component	Colour
1.	Guide channels insert	03 - grey 20 - black

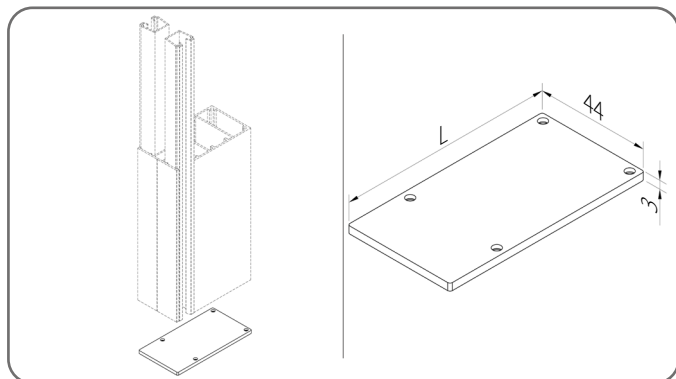
x	Colour	x	Colour	x	Colour	x	Colour
00	mill finish	21	black grey	34	quartz grey	80B	graphite grey
01	silver	22B	ultra white	37B	grey aluminium	82	alpine white
03B	grey	23B	anthracite grey	45	beige satin	IK	different colour
09	brown	29	light beige	73B	mouse grey		
16B	ivory	31B	light grey	74B	copper bronze		
20B	black	33	basalt grey	75B	metallic grey		

**CATALOGUE - TECHNICAL GUIDE FOR EXTERNAL
VENETIAN BLINDS (FACADE) SZF SKYFLOW SYSTEM**

Z 90 / 6. UNDER PLASTER BLINDS BOX/EDGE

6.6.1.1. Guide channel side lock

For guide channels type PT

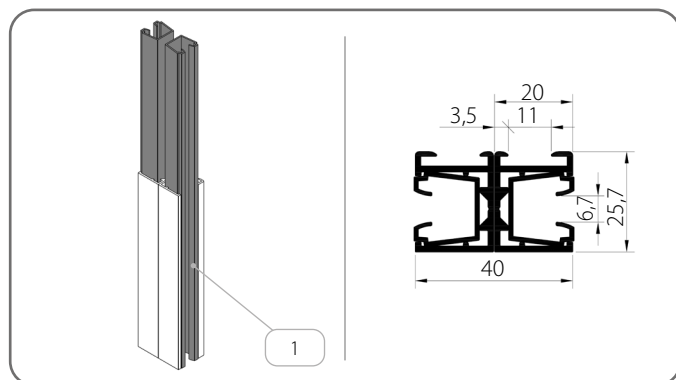


	Catalogue code	L [mm]
1.	ZPT04/x	83,5
2.	ZPT05/x	113,5

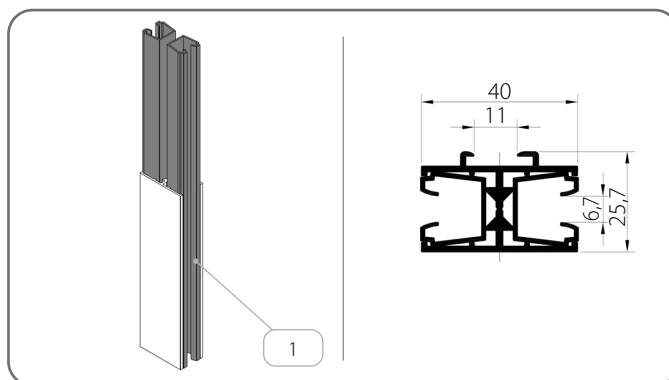
x	Colour	x	Colour	x	Colour	x	Colour
00	mill finish	21	black grey	34	quartz grey	80B	graphite grey
01	silver	22B	ultra white	37B	grey aluminium	82	alpine white
03B	grey	23B	anthracite grey	45	beige satin	IK	different colour
09	brown	29	light beige	73B	mouse grey		
16B	ivory	31B	light grey	74B	copper bronze		
20B	black	33	basalt grey	75B	metallic grey		

6.6.2. Guide channels - Group III

PP SZF/WUF_S/2/x + PP SZF/WUF_S/2/x



PPD SZF/WUF_S/1/x



	Name of the component	Colour
1.	Guide channels insert	03 - grey 20 - black

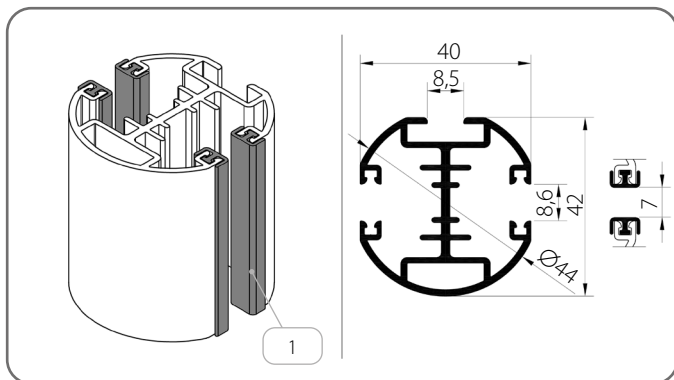
x	Colour	x	Colour	x	Colour	x	Colour
00	mill finish	21	black grey	34	quartz grey	80B	graphite grey
01	silver	22B	ultra white	37B	grey aluminium	82	alpine white
03B	grey	23B	anthracite grey	45	beige satin	IK	different colour
09	brown	29	light beige	73B	mouse grey		
16B	ivory	31B	light grey	74B	copper bronze		
20B	black	33	basalt grey	75B	metallic grey		

**CATALOGUE - TECHNICAL GUIDE FOR EXTERNAL
VENETIAN BLINDS (FACADE) SZF SkyFLOW SYSTEM**

Z 90 / 6. UNDER PLASTER BLINDS BOX/EDGE

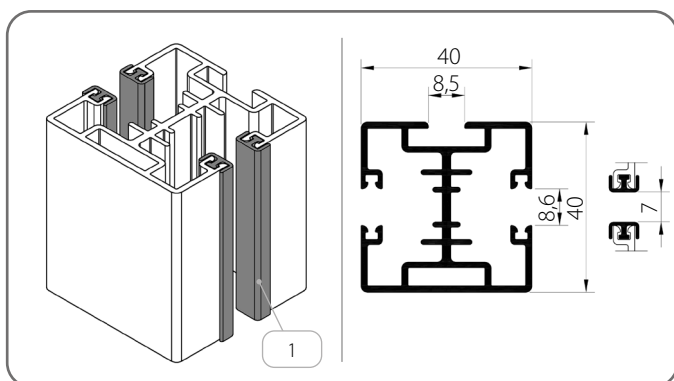
6.6.3. Guide channels - Group IV

PPDO-P SZF/1/x



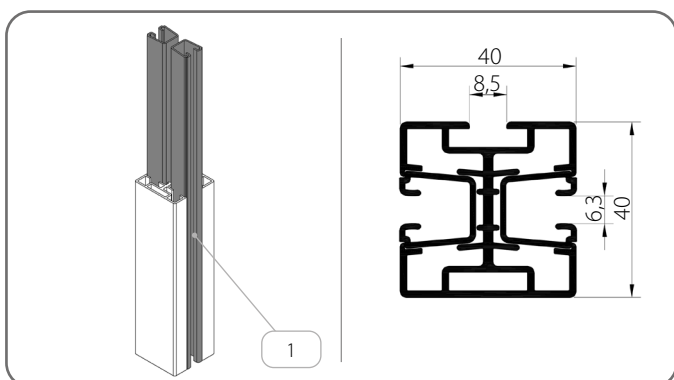
	Name of the component	Colour
1.	Guide channels insert	20 - black

PPD-P SZF/2/x



	Name of the component	Colour
1.	Guide channels insert	20 - black

PPD-P SZF/WUF/2/x



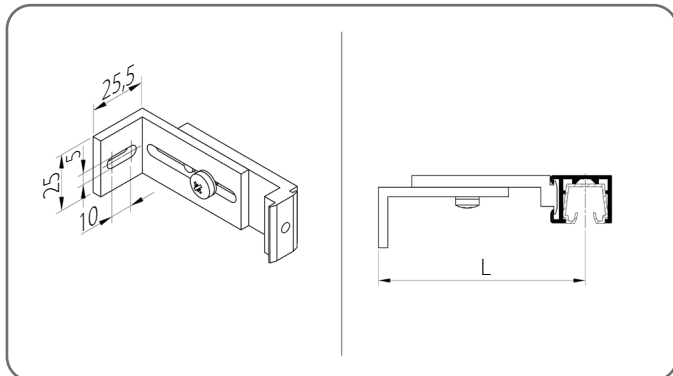
	Name of the component	Colour
1.	Guide channels insert	20 - black

x	Colour	x	Colour	x	Colour	x	Colour
00	mill finish	21	black grey	34	quartz grey	80B	graphite grey
01	silver	22B	ultra white	37B	grey aluminium	82	alpine white
03B	grey	23B	anthracite grey	45	beige satin	IK	different colour
09	brown	29	light beige	73B	mouse grey		
16B	ivory	31B	light grey	74B	copper bronze		
20B	black	33	basalt grey	75B	metallic grey		

6.7. Guide channel handles

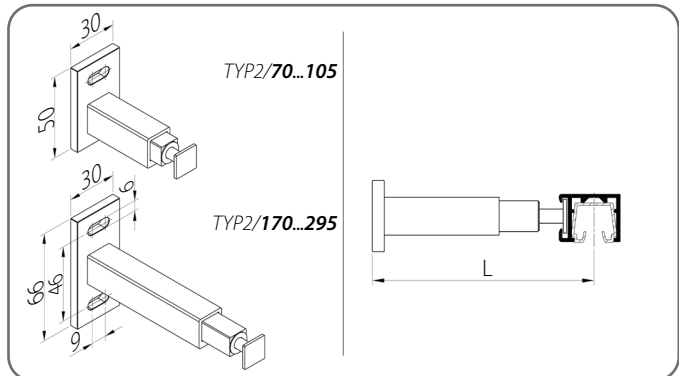
6.7.1. Guide channels - Group III

TYP 1



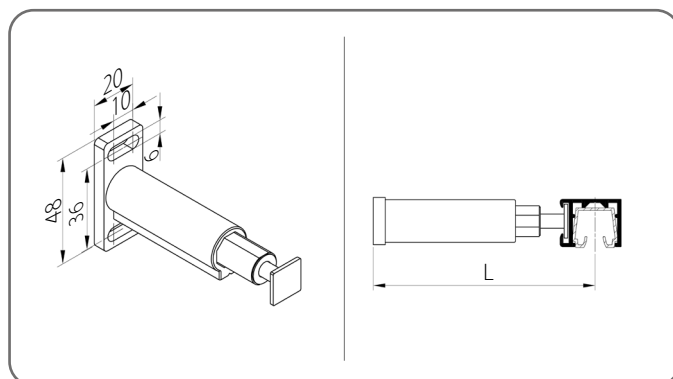
	Catalogue code	L [mm]
1.	TYP1/75/x	55 - 75
2.	TYP1/105/x	76 - 105
3.	TYP1/160/x	106 - 160

TYP 2



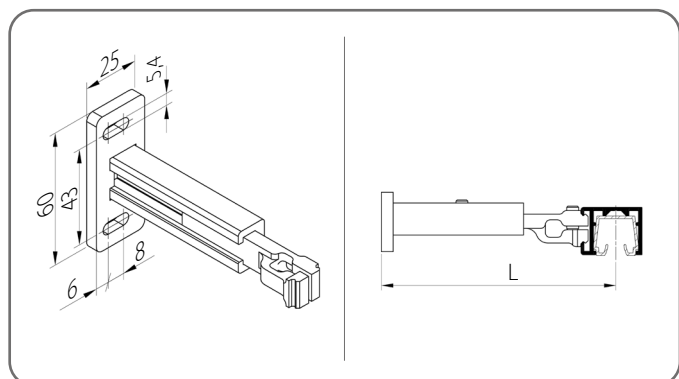
	Catalogue code	L [mm]
1.	TYP2/70/x	50 - 70
2.	TYP2/105/x	71 - 105
3.	TYP2/170/x	106 - 170
4.	TYP2/295/x	171 - 295

TYP 3



	Catalogue code	L [mm]
1.	TYP3/75/x	50 - 75
2.	TYP3/1/120/x	76 - 120

TYP 4



	Catalogue code	L [mm]
1.	TYP4/80/x	60 - 80
2.	TYP4/115/x	81 - 115
3.	TYP4/170/x	116 - 170

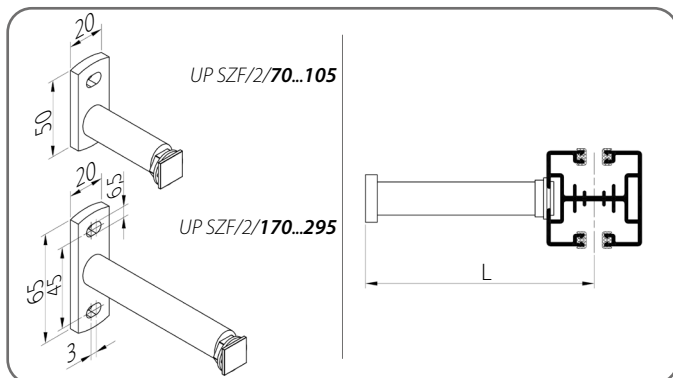
x	Colour	x	Colour	x	Colour	x	Colour
00	mill finish	21	black grey	34	quartz grey	80B	graphite grey
01	silver	22B	ultra white	37B	grey aluminium	82	alpine white
03B	grey	23B	anthracite grey	45	beige satin	IK	different colour
09	brown	29	light beige	73B	mouse grey		
16B	ivory	31B	light grey	74B	copper bronze		
20B	black	33	basalt grey	75B	metallic grey		

**CATALOGUE - TECHNICAL GUIDE FOR EXTERNAL
VENETIAN BLINDS (FACADE) SZF SkyFLOW SYSTEM**

Z 90 / 6. UNDER PLASTER BLINDS BOX/EDGE

6.7.2. Guide channels - Group IV

UP SZF/2

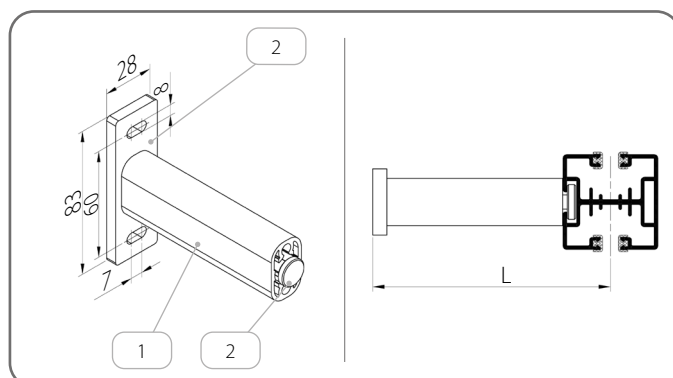


	Catalogue code	L [mm]
1.	UP SZF/2/70/x	58 - 78*
2.	UP SZF/2/105/x	79 - 113*
3.	UP SZF/2/170/x	114 - 178*
4.	UP SZF/2/295/x	179 - 303*

* Values changed due to the use of **PPD-P SZF/2** or **PPDO-P SZF/1** guide channels.

x	Colour	x	Colour	x	Colour	x	Colour
00	mill finish	21	black grey	34	quartz grey	80B	graphite grey
01	silver	22B	ultra white	37B	grey aluminium	82	alpine white
03B	grey	23B	anthracite grey	45	beige satin	IK	different colour
09	brown	29	light beige	73B	mouse grey		
16B	ivory	31B	light grey	74B	copper bronze		
20B	black	33	basalt grey	75B	metallic grey		

UP SZF/4/x



	Catalogue code	L [mm]
1.	UP SZF/4	75 - 200


	Name of the component	Catalogue code
1.	Telescopic handle profile	PUT SZF/x
2.	Telescopic handle set	ZUP SZF/4/x

x	Colour	x	Colour	x	Colour	x	Colour
00	mill finish	21	black grey	34	quartz grey	80B	graphite grey
01	silver	22B	ultra white	37B	grey aluminium	82	alpine white
03B	grey	23B	anthracite grey	45	beige satin	IK	different colour
09	brown	29	light beige	73B	mouse grey		
16B	ivory	31B	light grey	74B	copper bronze		
20B	black	33	basalt grey	75B	metallic grey		

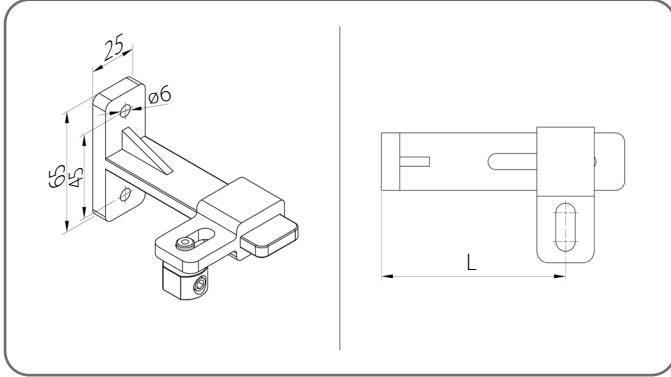
**CATALOGUE - TECHNICAL GUIDE FOR EXTERNAL
VENETIAN BLINDS (FACADE) SZF SKYFLOW SYSTEM**

Z 90 / 6. UNDER PLASTER BLINDS BOX/EDGE

6.8. Wire handles

 All grips come with a tensioner.

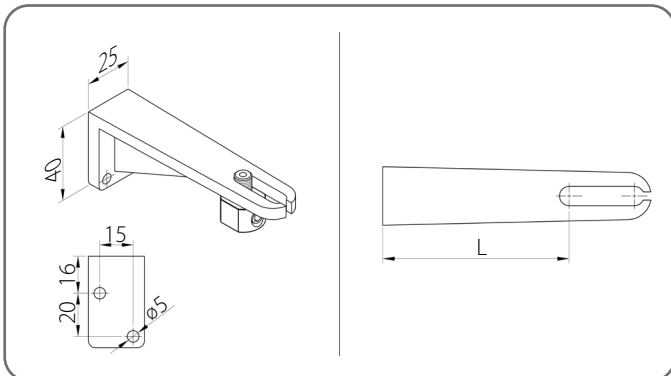
UDL/1



	Catalogue code	L [mm]
1.	UDL/1/90/x	50 - 90
2.	UDL/1/128/x	88 - 128
3.	UDL/1/165/x	125 - 165
4.	UDL/1/200/x	160 - 200

x	Colour	x	Colour	x	Colour	x	Colour
00	mill finish	21	black grey	34	quartz grey	80B	graphite grey
01	silver	22B	ultra white	37B	grey aluminium	82	alpine white
03B	grey	23B	anthracite grey	45	beige satin	IK	different colour
09	brown	29	light beige	73B	mouse grey		
16B	ivory	31B	light grey	74B	copper bronze		
20B	black	33	basalt grey	75B	metallic grey		

UDL/2



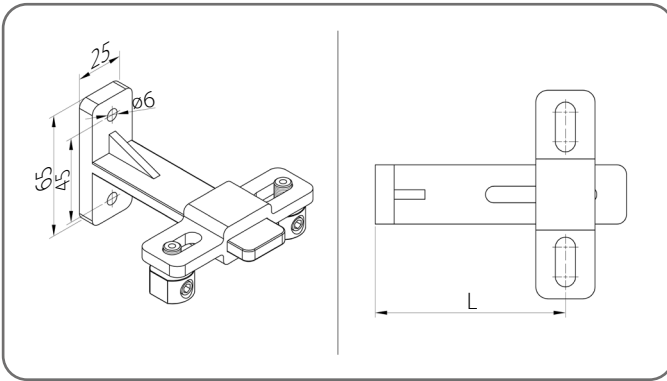
	Catalogue code	L [mm]
1.	UDL/2/50/x	29 - 50
2.	UDL/2/76/x	55 - 76
3.	UDL/2/104/x	83 - 104
4.	UDL/2/132/x	111 - 132
5.	UDL/2/160/x	139 - 160

x	Colour	x	Colour	x	Colour	x	Colour
00	mill finish	21	black grey	34	quartz grey	80B	graphite grey
01	silver	22B	ultra white	37B	grey aluminium	82	alpine white
03B	grey	23B	anthracite grey	45	beige satin	IK	different colour
09	brown	29	light beige	73B	mouse grey		
16B	ivory	31B	light grey	74B	copper bronze		
20B	black	33	basalt grey	75B	metallic grey		

**CATALOGUE - TECHNICAL GUIDE FOR EXTERNAL
VENETIAN BLINDS (FACADE) SZF SkyFLOW SYSTEM**

Z 90 / 6. UNDER PLASTER BLINDS BOX/EDGE

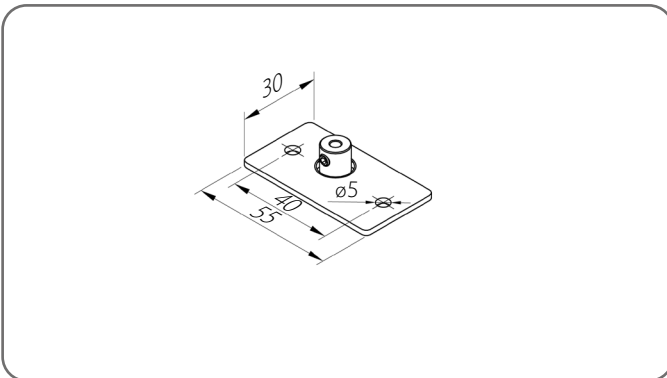
UDL/4



	Catalogue code	L [mm]
1.	UDL/4/90/x	50 - 90
2.	UDL/4/128/x	88 - 128
3.	UDL/4/165/x	125 - 165
4.	UDL/4/200/x	160 - 200

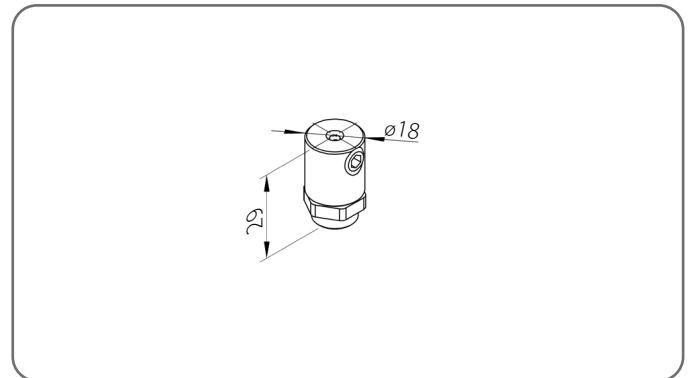
x	Colour	x	Colour	x	Colour	x	Colour
00	mill finish	21	black grey	34	quartz grey	80B	graphite grey
01	silver	22B	ultra white	37B	grey aluminium	82	alpine white
03B	grey	23B	anthracite grey	45	beige satin	IK	different colour
09	brown	29	light beige	73B	mouse grey		
16B	ivory	31B	light grey	74B	copper bronze		
20B	black	33	basalt grey	75B	metallic grey		

UDL/3/x




x	Colour
AND	anodised

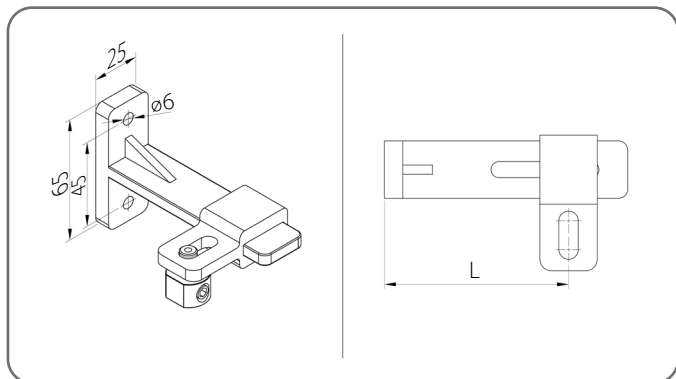
UDL/5



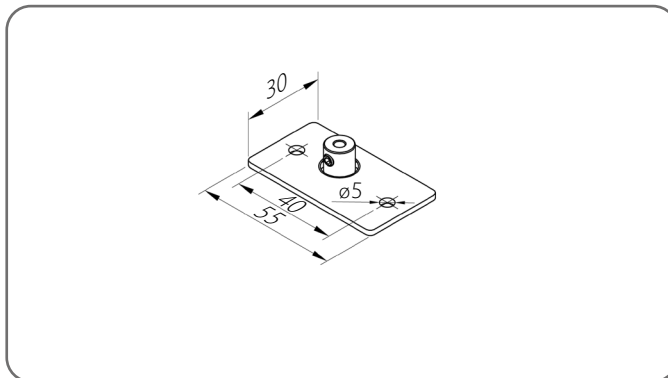
6.8.1. Guide channel wire reinforcement

 All grips come with a tensioner.

UDL/1

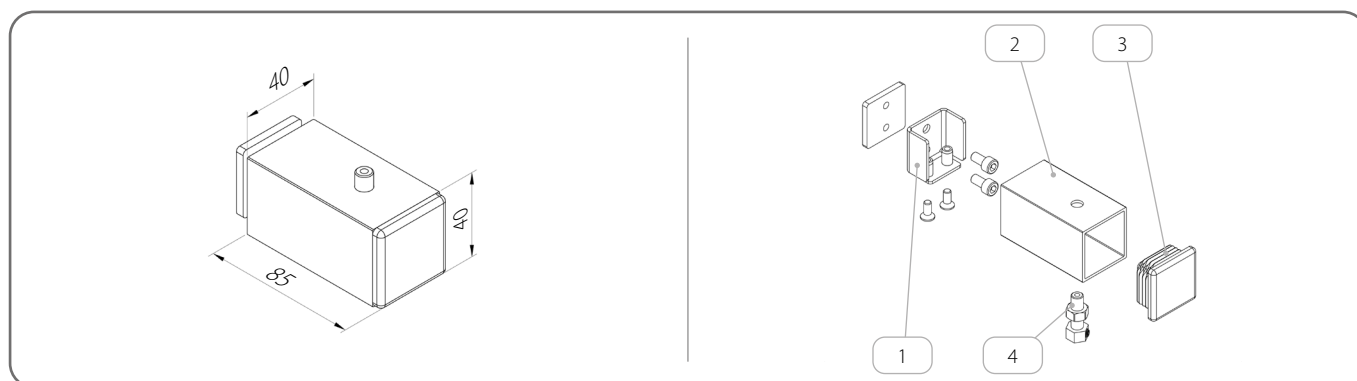


UDL/3/x



	Catalogue code	L [mm]
1.	UDL/1/90/x	50 - 90
2.	UDL/1/128/x	88 - 128
3.	UDL/1/165/x	125 - 165
4.	UDL/1/200/x	160 - 200

WZLP/40x40x2/x




	Name of the component	Catalogue code	Colour
1.	Reinforcement fixing set	ZM/WZLP/40x40x2	
2.	Mounting profile	U/WZLP/40x40x2/x	<i>colour table x</i>
3.	Cap	Z/WZLP/40x40x2/x	02 - white 20B - black 23B - anthracite grey
4.	Cable tensioner	NLS	

x	Colour	x	Colour	x	Colour	x	Colour
00	mill finish	21	black grey	34	quartz grey	80B	graphite grey
01	silver	22B	ultra white	37B	grey aluminium	82	alpine white
03B	grey	23B	anthracite grey	45	beige satin	IK	different colour
09	brown	29	light beige	73B	mouse grey		
16B	ivory	31B	light grey	74B	copper bronze		
20B	black	33	basalt grey	75B	metallic grey		

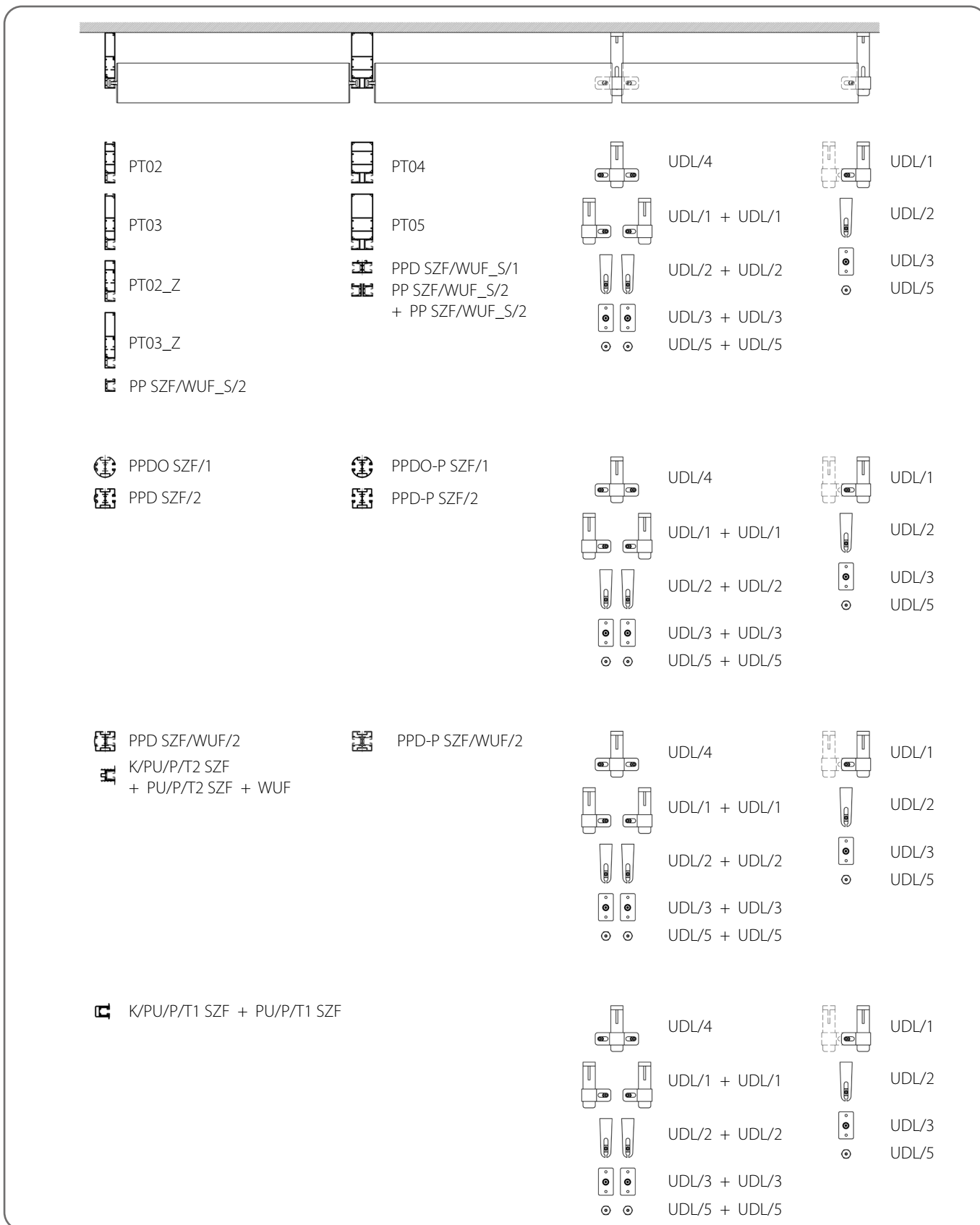
**CATALOGUE - TECHNICAL GUIDE FOR EXTERNAL
VENETIAN BLINDS (FACADE) SZF SkyFLOW SYSTEM**

Z 90 / 6. UNDER PLASTER BLINDS BOX/EDGE

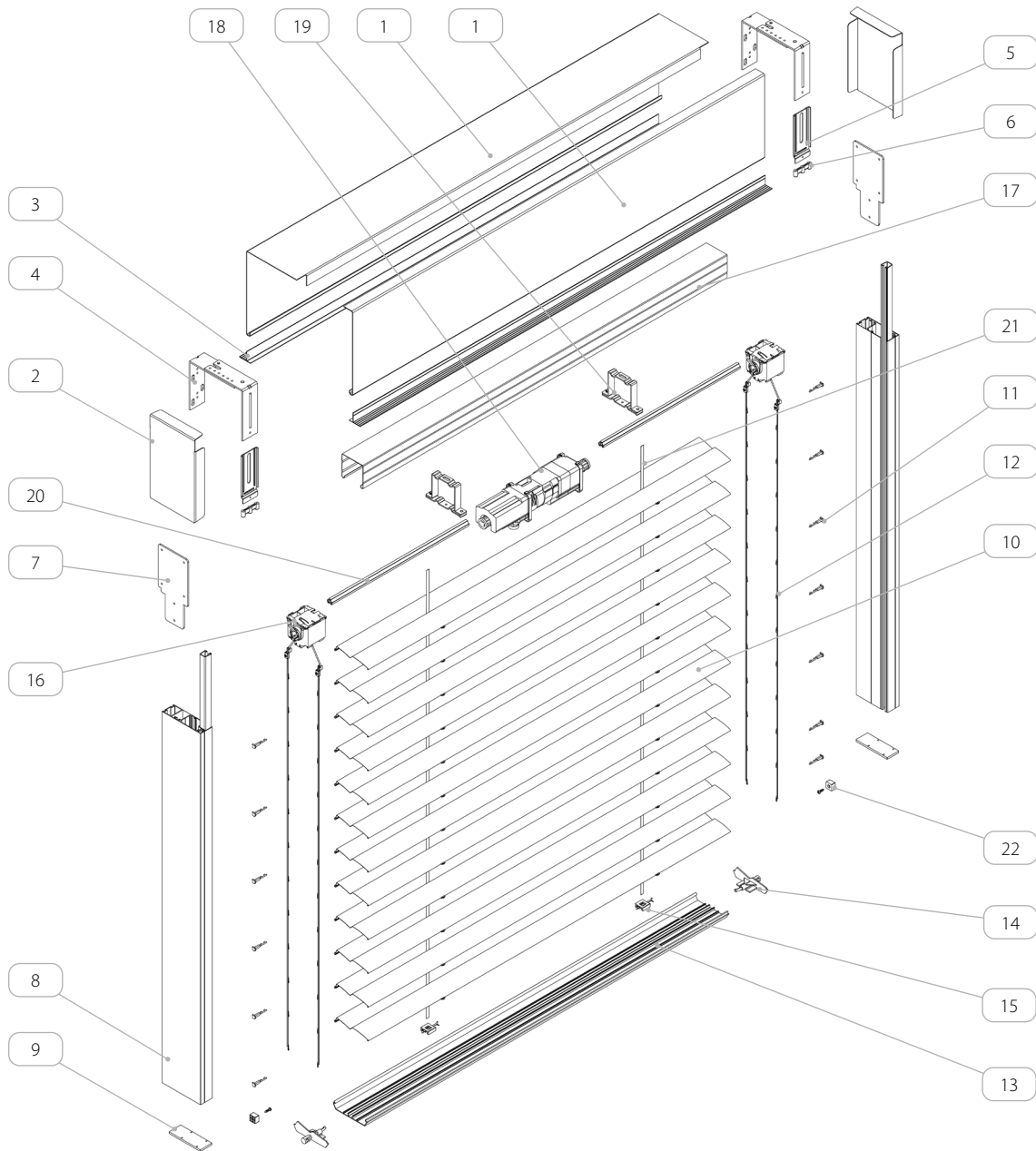
6.9. Blinds joining

 A common drive for up to 3 blinds can be used.

The division of Venetian blinds



7. UNDER PLASTER BLINDS BOX/COMPACT



Name of the component	
1.	Safety plate
2.	End cap
3.	Support
4.	Adjustable top handle
5.	Auxiliary handle
6.	Silencing cap
7.	End cap pin
8.	Guide channel
9.	Guide channel side lock
10.	Profile Z 90
11.	Pin to Z 90
12.	Ladder braid Z 90
13.	Bottom rail
14.	Blind for end slat
15.	Lift tape and end slat - connector
16.	Mechanism - 8 mm belt
17.	Steel rail - galvanised
18.	Drive
19.	Guide rail bracket
20.	Shaft 14 mm
21.	Strap 8 mm
22.	Venetian blind stopper

CATALOGUE - TECHNICAL GUIDE FOR EXTERNAL VENETIAN BLINDS (FACADE) SZF SkyFLOW SYSTEM

Z 90 / 7. UNDER PLASTER BLINDS BOX/COMPACT

7.1. General information

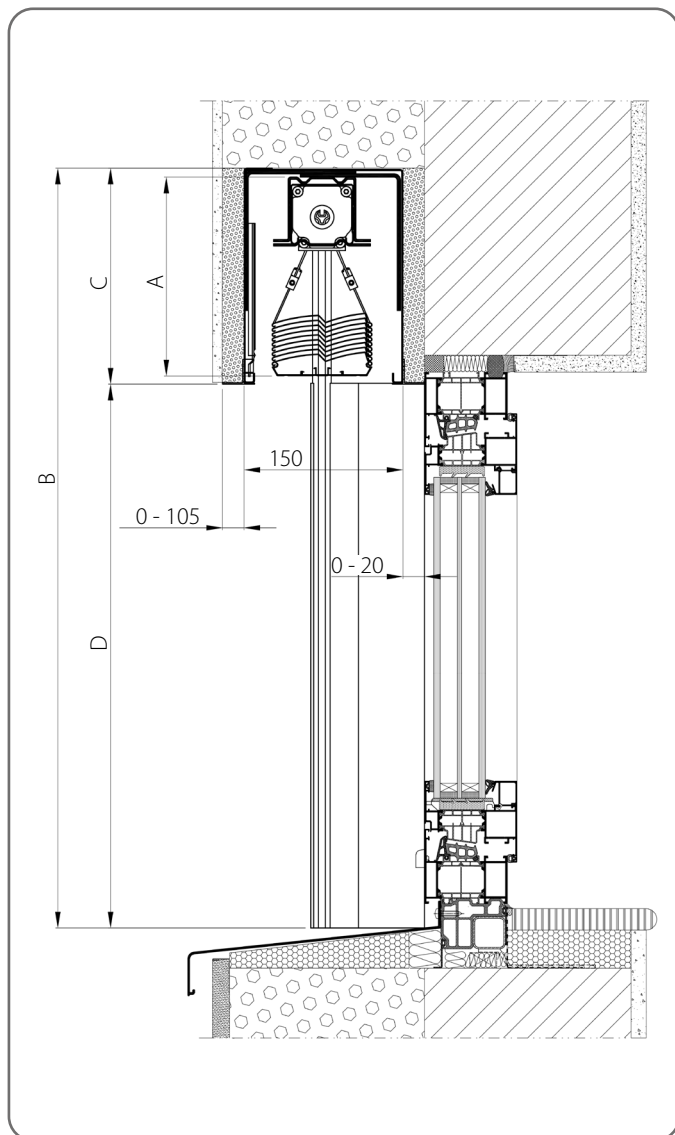


Where:

- A - HEIGHT OF THE PACKAGE [mm]
- B - BLINDS HEIGHT [mm]
- C - COVER HEIGHT [mm]
- D - CLEAR HEIGHT [mm]
- E - INSTALLATION DEPTH [mm]

- M - WIDTH OF THE PACKAGE / SLAT [mm]
- N - VENETIAN BLIND WIDTH [mm]

The measurement and installation of the venetian blind should be performed by a qualified installer.

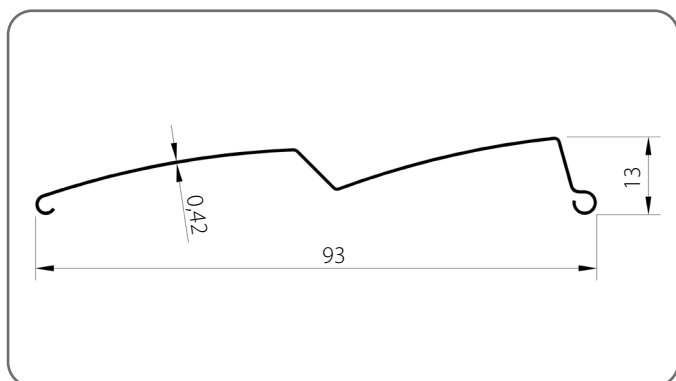


	A [mm]	B [mm]	Venetian blind with guide and/or cable guide		Venetian blind with cable reinforcement	
			C [mm]	D [mm]	C [mm]	D [mm]
1.	130	600 - 800	200	400 - 1600	200	400 - 1600
2.	140	801 - 1000				
3.	160	1001 - 1200				
4.	170	1201 - 1400				
5.	190	1401 - 1600				
6.	200	1601 - 1800				
7.	220	1801 - 2000	250	1551 - 2150	250	1551 - 2150
8.	230	2001 - 2200				
9.	250	2201 - 2400				
10.	260	2401 - 2600	300	2101 - 2900	300	2101 - 2900
11.	270	2601 - 2800				
12.	290	2801 - 3000				
13.	300	3001 - 3200				
14.	310	3201 - 3400	340	2861 - 3460	340	2861 - 3460
15.	330	3401 - 3600				
16.	340	3601 - 3800				
17.	360	3801 - 4000	390	3411 - 3610	390	3411 - 4010
18.	370	4001 - 4200				
19.	390	4201 - 4400	-	-	440	3961 - 4560
20.	400	4401 - 4600				
21.	420	4601 - 4800				
22.	430	4801 - 5000				

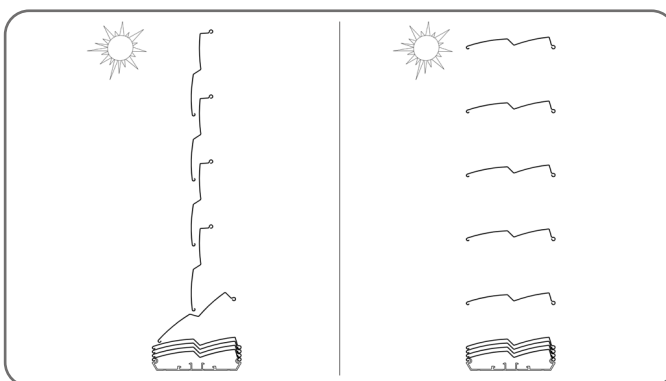
**CATALOGUE - TECHNICAL GUIDE FOR EXTERNAL
VENETIAN BLINDS (FACADE) SZF SKYFLOW SYSTEM**

Z 90 / 7. UNDER PLASTER BLINDS BOX/COMPACT

Slat Z 90/x

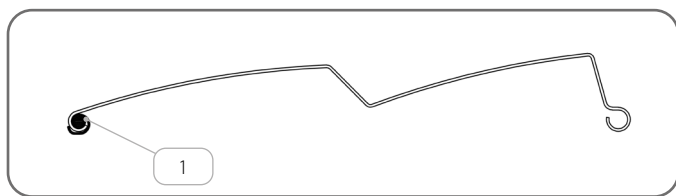


Slats rotation range - 90°



x	Colour	x	Colour	x	Colour	x	Colour
01	silver	21	black grey	33	basalt grey	74B	copper bronze
03B	grey	22B	ultra white	34	quartz grey	75B	metallic grey
09	brown	23B	anthracite grey	37B	grey aluminium	80B	graphite grey
16B	ivory	29	light beige	45	beige satin	82	alpine white
20B	black	31B	light grey	73B	mouse grey		

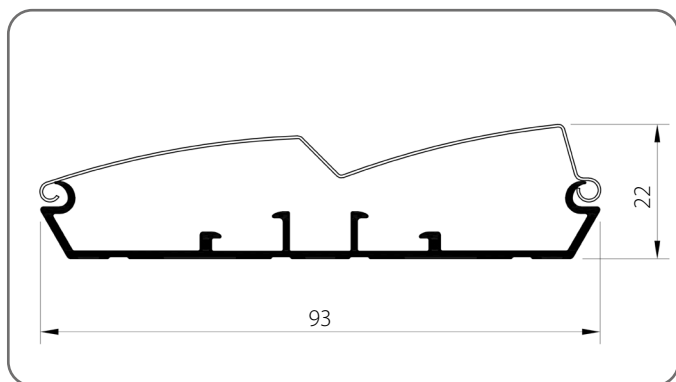
Slat soundproofing seal



	Name of the component	Catalogue code
1.	Slat soundproofing seal	UWZ90/x

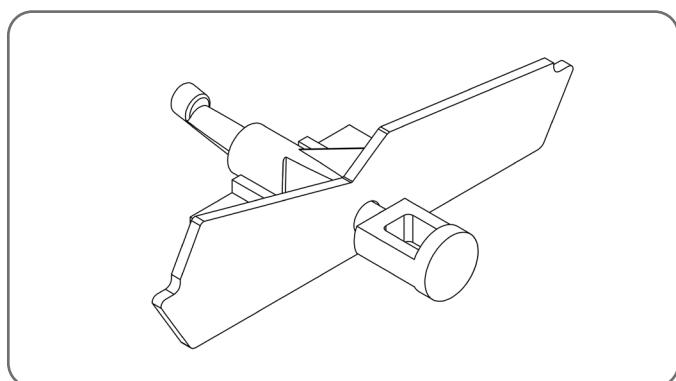
x	Colour
03	grey

Open end slat BOA/Z90/x



x	Colour	x	Colour
00	mill finish	33	basalt grey
01	silver	34	quartz grey
03B	grey	37B	grey aluminium
09	brown	45	beige satin
16B	ivory	73B	mouse grey
20B	black	74B	copper bronze
21	black grey	75B	metallic grey
22B	ultra white	80B	graphite grey
23B	anthracite grey	82	alpine white
29	light beige	IK	different colour
31B	light grey		

End slat blind Z BOA/Z90/x

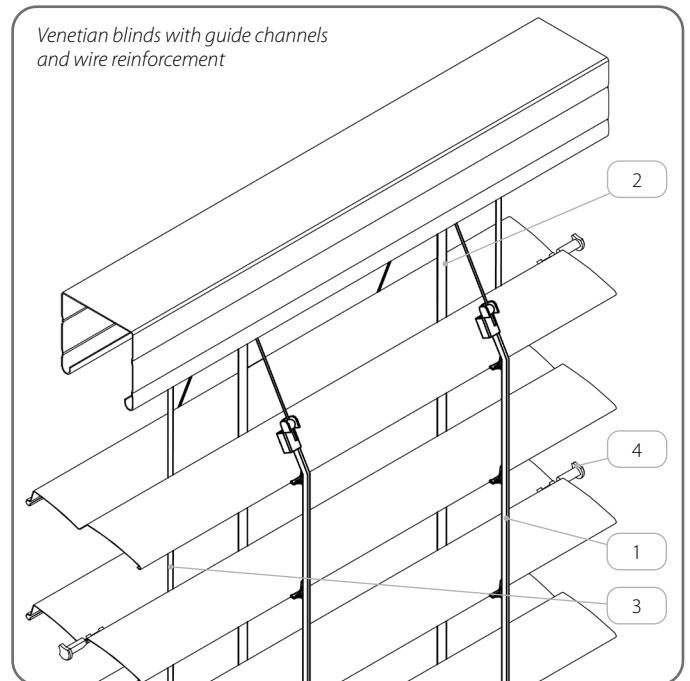
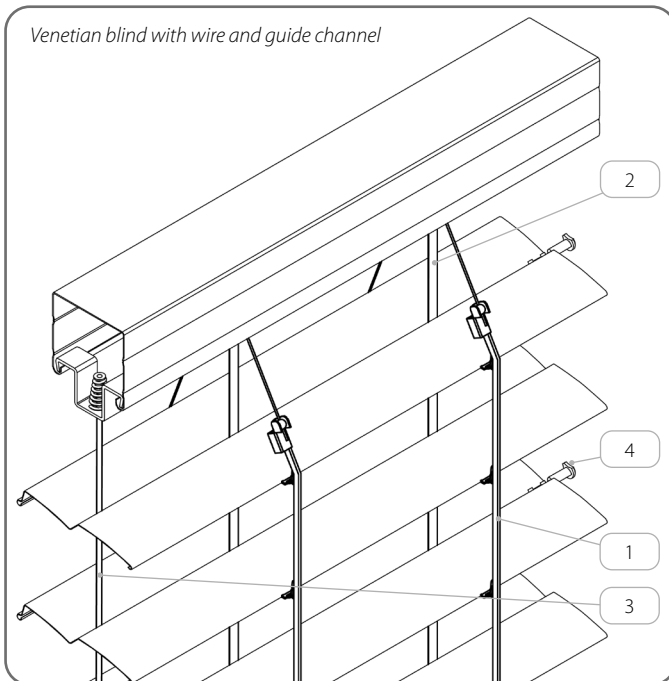
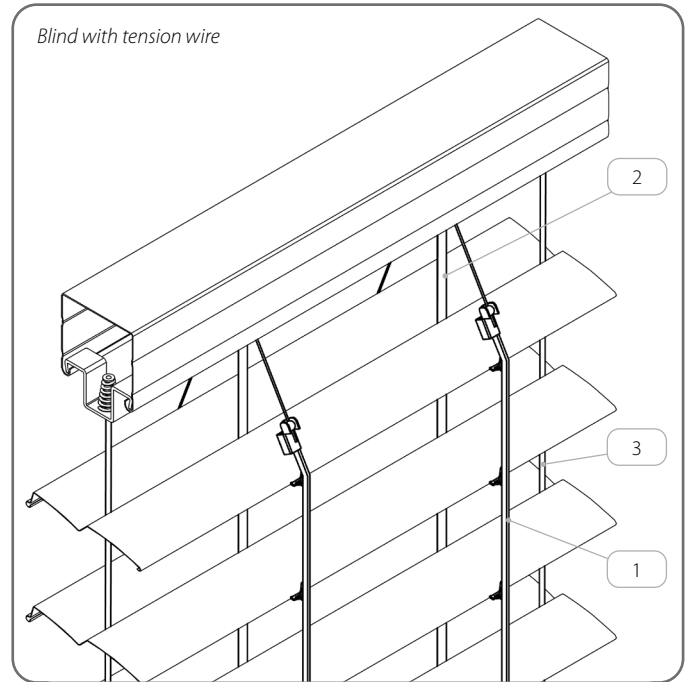
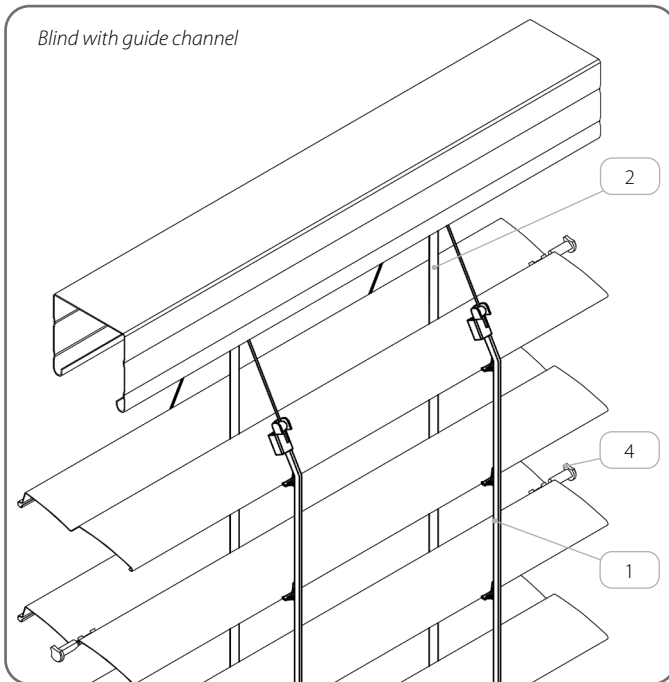


x	Colour
03	grey
20	black

**CATALOGUE - TECHNICAL GUIDE FOR EXTERNAL
VENETIAN BLINDS (FACADE) SZF SkyFLOW SYSTEM**

Z 90 / 7. UNDER PLASTER BLINDS BOX/COMPACT

Additional accessories

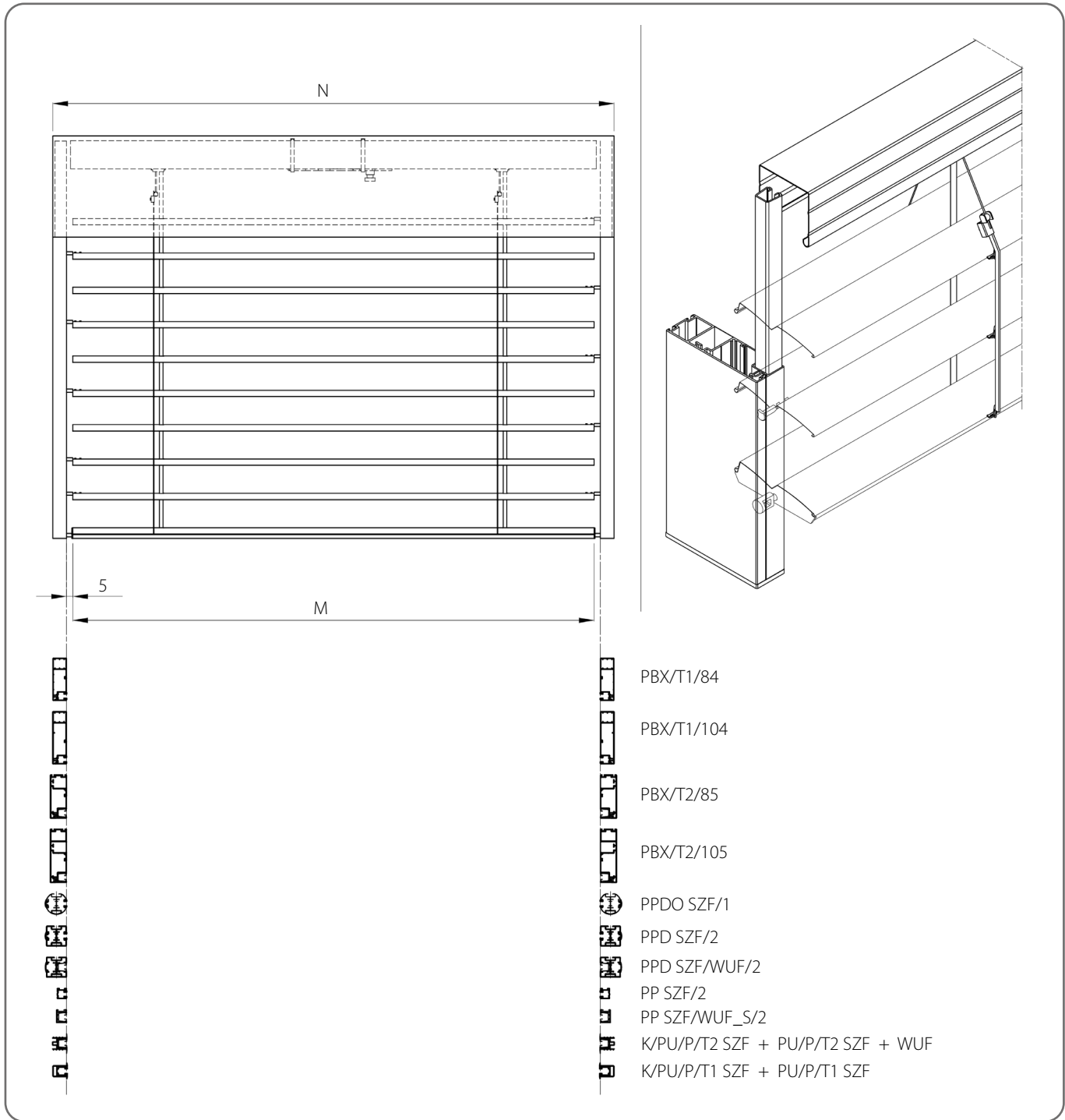


	Name of the component	Catalogue code
1.	Ladder braid Z 90	D/Z90/x
2.	Strap 8 mm	P SZF/8/x
3.	Steel wire Ø 3, PVC coated	LS SZF/3/x
4.	Pin to Z 90 - steel	P/S/Z90

x	Colour
03	grey
20	black

 Pins are mounted on every other slat for Venetian blinds with guide channels.

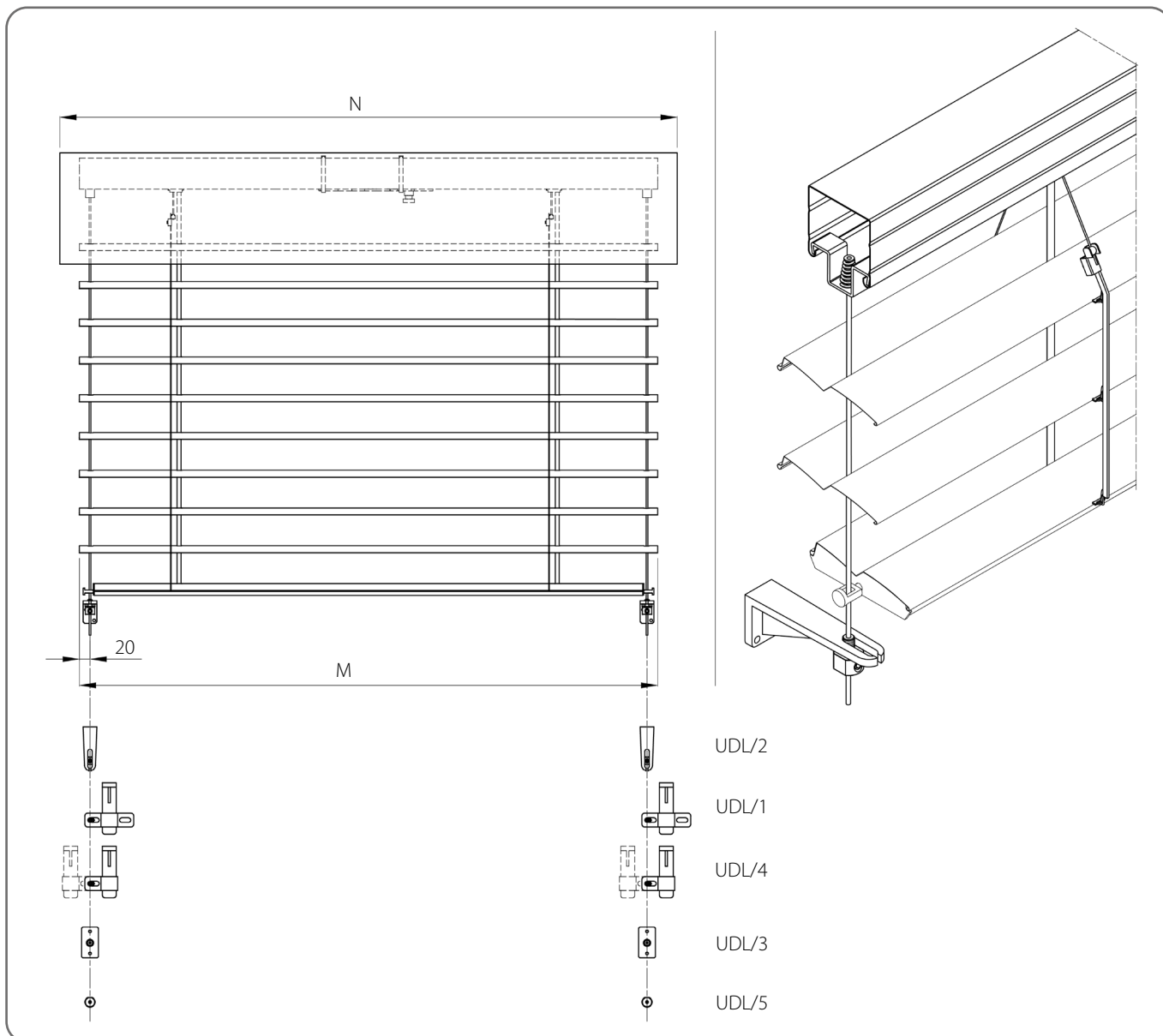
7.1.1. Blind with guide channel



Technical specifications									
Minimum		Maximum		Maximum surface [m ²]	Corner blinds	Electric drive	Motor with emergency opening	Manual drive	Installation
Width [mm]	Height [mm]	Width [mm]	Height [mm]						
600	600	4500	4000	18	YES	YES	YES	YES	External

⚠ When dimensioning the Venetian blinds, the planned width of the insulation layer overlapping the window should be taken into account.

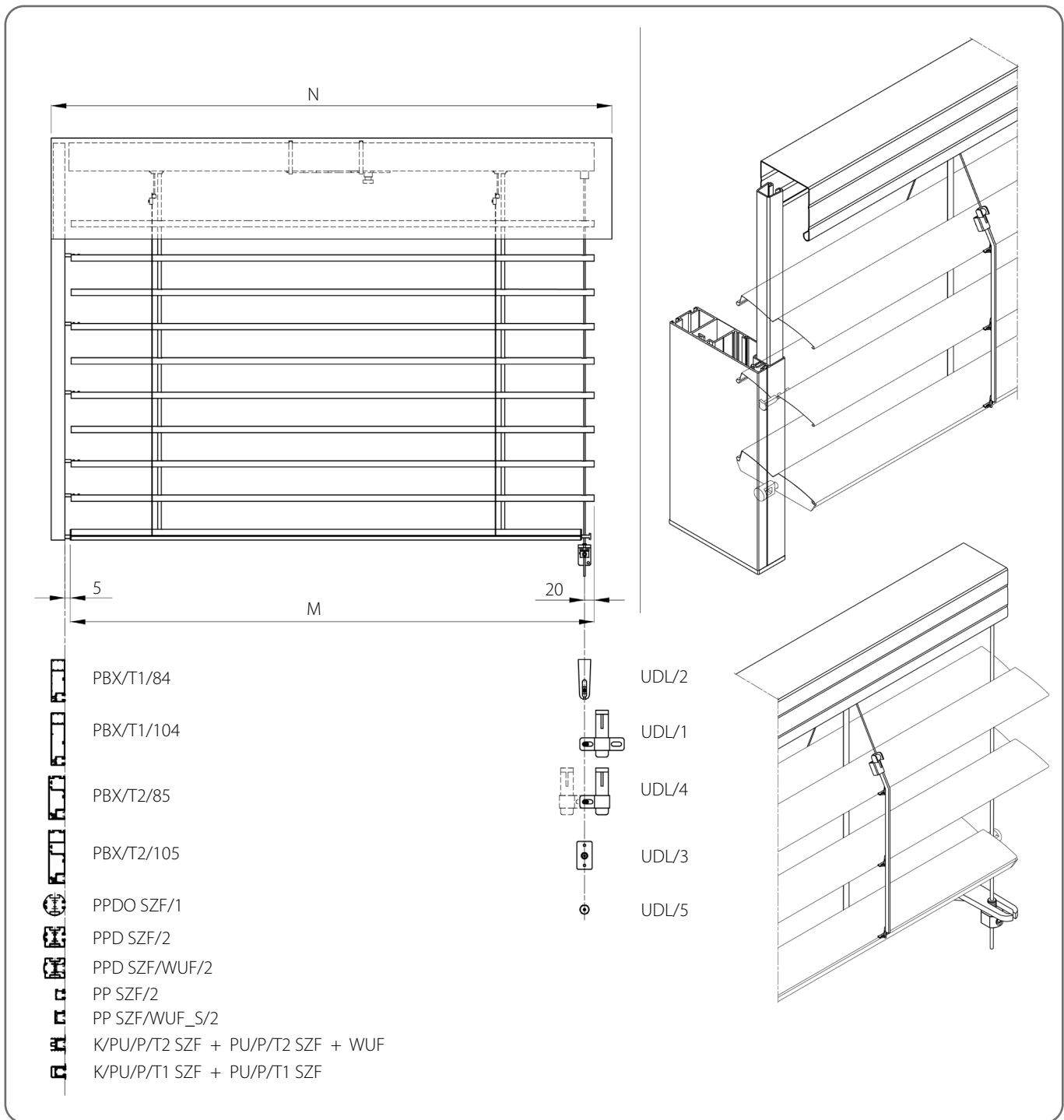
7.1.2. Blind with tension wire



Technical specifications								
Minimum		Maximum	Maximum surface [m ²]	Corner blinds	Electric drive	Motor with emergency opening	Manual drive	Installation
Width [mm]	Height [mm]	Width x Height [mm]						
600	600	3000 x 4000 4000 x 2500	12	NO	YES	YES	YES	External

 When dimensioning the Venetian blinds, the planned width of the insulation layer overlapping the window should be taken into account.

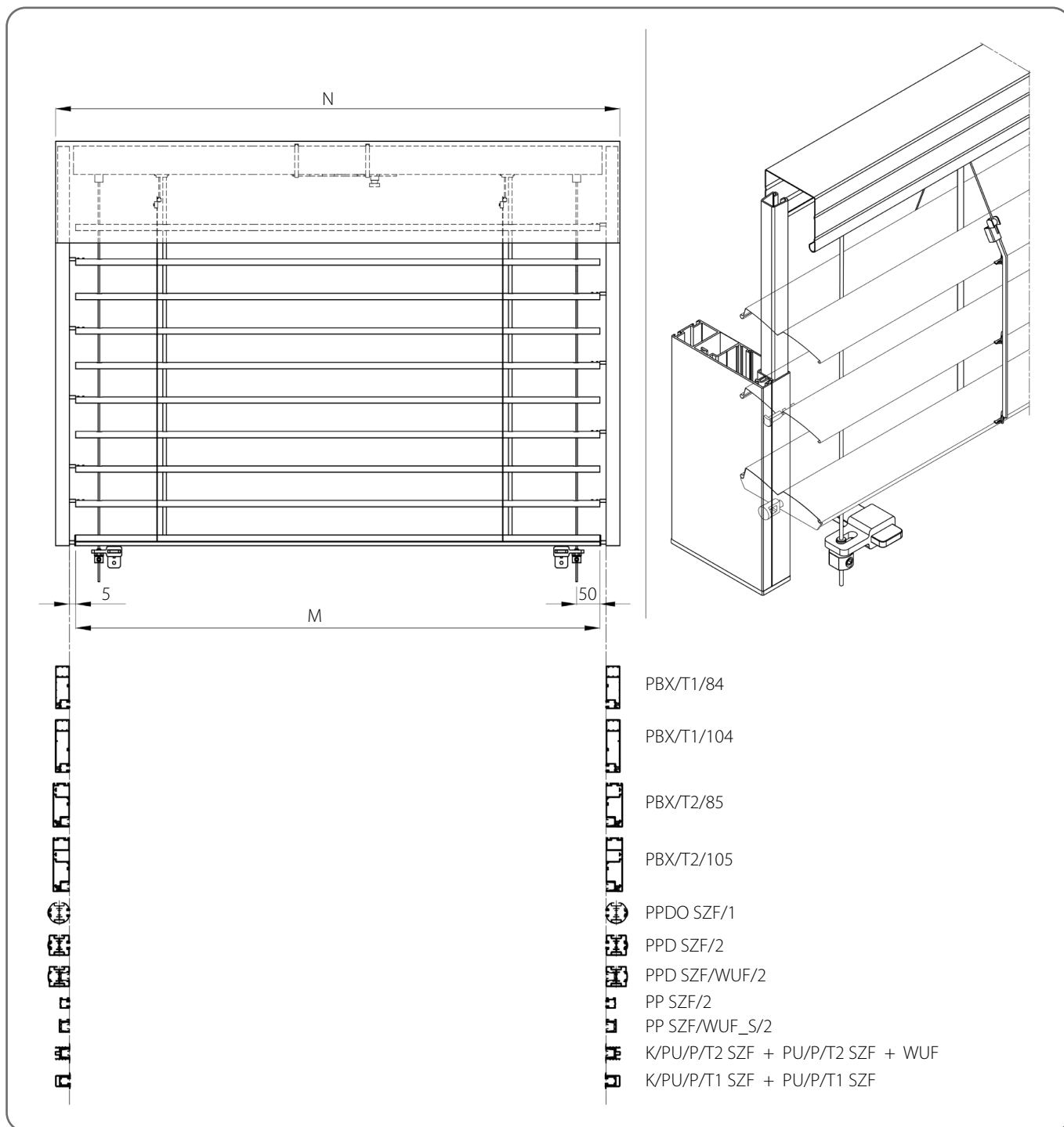
7.1.3. Venetian blind with wire and guide channel



Technical specifications								
Minimum		Maximum	Maximum surface [m ²]	Corner blinds	Electric drive	Motor with emergency opening	Manual drive	Installation
Width [mm]	Height [mm]	Width x Height [mm]						
600	600	3000 x 4000 4000 x 2500	12	YES	YES	YES	YES	External

When dimensioning the Venetian blinds, the planned width of the insulation layer overlapping the window should be taken into account.


7.1.4. Venetian blinds with guide channels and wire reinforcement



Technical specifications									
Minimum		Maximum		Maximum surface [m ²]	Corner blinds	Electric drive	Motor with emergency opening	Manual drive	Installation
Width [mm]	Height [mm]	Width [mm]	Height [mm]						
600	600	5000	5000	25	YES	YES	YES	YES	External

⚠ When dimensioning the Venetian blinds, the planned width of the insulation layer overlapping the window should be taken into account.

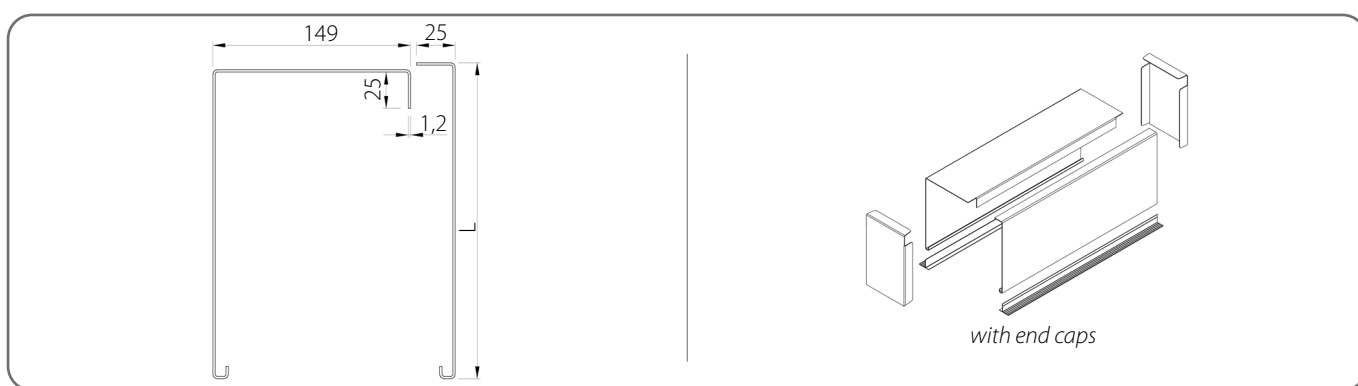
7.2. Cover plate

 It is possible to configure the blinds without the cover plate.

 Maximum width for a single element - 4 m. It is possible to connect boxes.

x	Colour	x	Colour	x	Colour	x	Colour
00	mill finish	21	black grey	34	quartz grey	80B	graphite grey
01	silver	22B	ultra white	37B	grey aluminium	82	alpine white
03B	grey	23B	anthracite grey	45	beige satin	IK	different colour
09	brown	29	light beige	73B	mouse grey		
16B	ivory	31B	light grey	74B	copper bronze		
20B	black	33	basalt grey	75B	metallic grey		

TYPE 6 cover plate



TYPE 6 cover plate/A



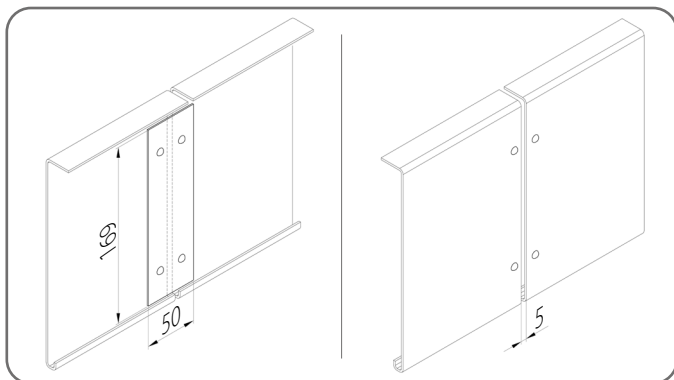
	L [mm]	L1 [mm]	L2 [mm]
1.	200	180	200
3.	250	230	250
5.	300	280	300
7.	340	320	340
9.	390	370	390
12.	440	420	440

**CATALOGUE - TECHNICAL GUIDE FOR EXTERNAL
VENETIAN BLINDS (FACADE) SZF SkyFLOW SYSTEM**

Z 90 / 7. UNDER PLASTER BLINDS BOX/COMPACT

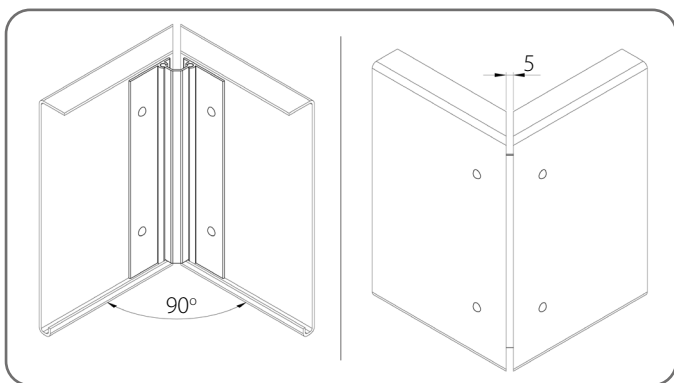
7.2.1. Joining cover plate

Serial connection



Number of connectors LPS/150 [pcs.]		
Plate height [mm]	Safety plate for end cap type	
	TYPE 6, TYPE 6/A	
1. 200 - 300	2	
2. 340 - 440	4	

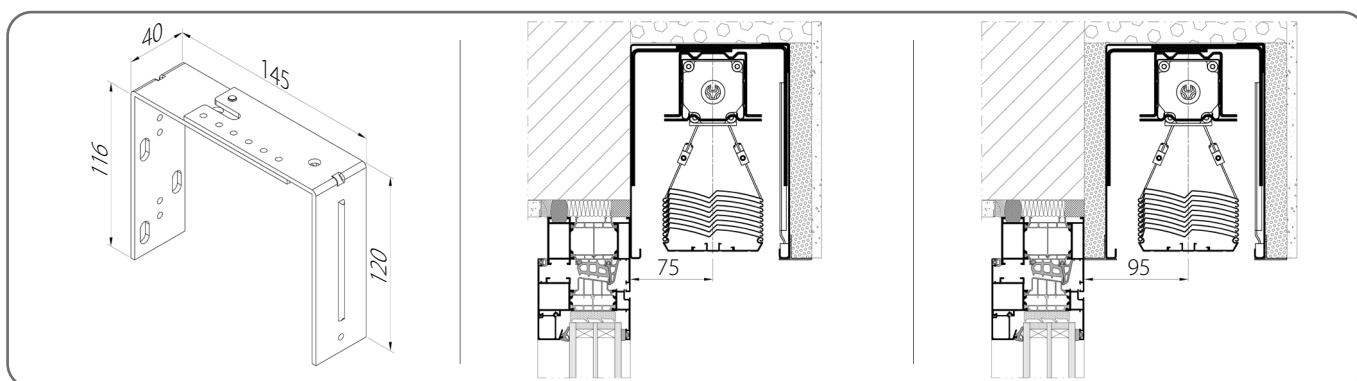
Corner joining



Number of connectors LRS [set]			
Catalogue code	Plate height [mm]	Safety plate for end cap type	
		TYPE 6, TYPE 6/A	
1. LRS/200	200	1	
2. LRS/250	250	1	
3. LRS/300	300	1	
4. LRS/340	340	1	
5. LRS/390	390	1	
6. LRS/440	440	1	

7.3. Top handle

USG/R/2A

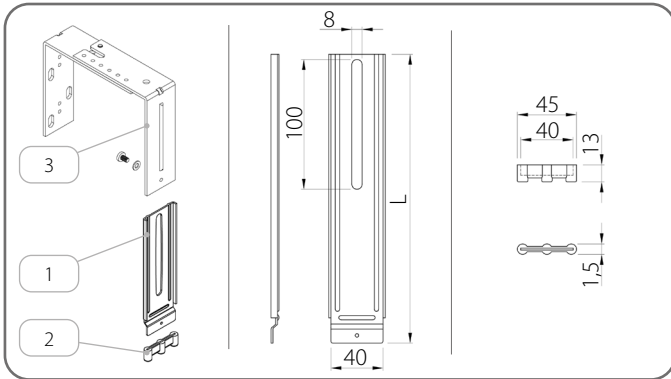


Number of handles [pcs.]						
Safety plate for end cap type	Venetian blind width [mm]					
	600 - 1600	1601 - 2400	2401 - 3200	3201 - 4000	4001 - 4500	4501 - 5000
TYPE 6, TYPE 6/A	2	3	4	5	6	7

CATALOGUE - TECHNICAL GUIDE FOR EXTERNAL VENETIAN BLINDS (FACADE) SZF SKYFLOW SYSTEM

Z 90 / 7. UNDER PLASTER BLINDS BOX/COMPACT

7.4. Auxiliary handle

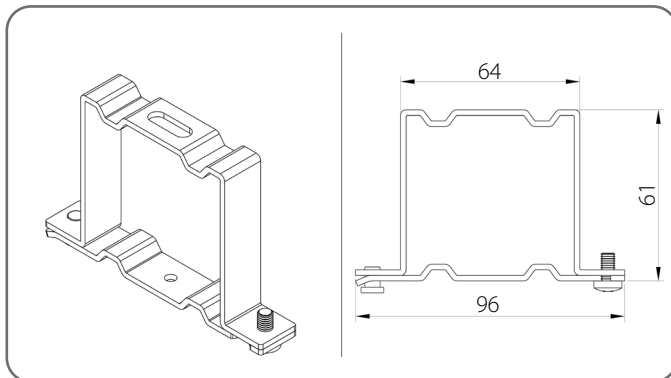


Auxiliary handle			
	Catalogue code	L [mm]	Box height [mm]
1.	UPS/140	143	200
2.	UPS/220	223	250
3.	UPS/220	223	300
4.	UPS/300	303	340
5.	UPS/300	303	390
6.	UPS/380	383	440

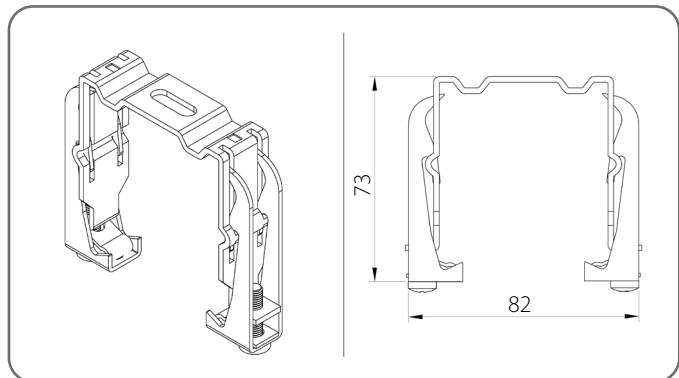
Name of the component	
1.	Auxiliary handle
2.	Silencing cap
3.	Top handle

7.5. Top guide rail bracket

Standard guide rail bracket - US/A

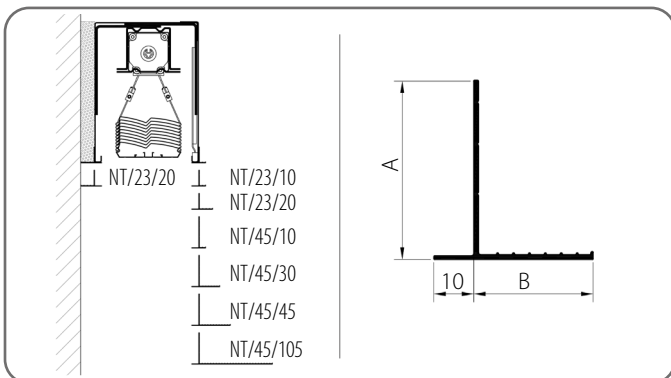


Springy guide rail bracket - US/B



Number of top rail handles						
Venetian blind width [mm]	600 - 1600	1601 - 2400	2401 - 3200	3201 - 4000	4001 - 4500	4501 - 5000
Quantity	2	3	4	5	6	7

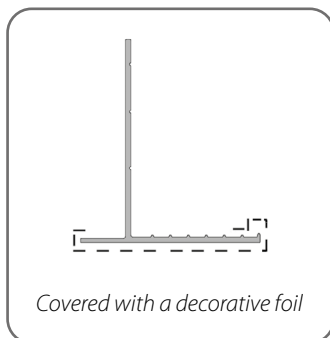
7.6. Support



Support			
	Catalogue code	A [mm]	B [mm]
1.	NT/23/10/x	23	10
2.	NT/23/20/x	23	20
3.	NT/45/10/x	45	10
4.	NT/45/30/x	45	30
5.	NT/45/45/x	45	45
6.	NT/45/105/x	45	105

CATALOGUE - TECHNICAL GUIDE FOR EXTERNAL VENETIAN BLINDS (FACADE) SZF SkyFLOW SYSTEM

Z 90 / 7. UNDER PLASTER BLINDS BOX/COMPACT



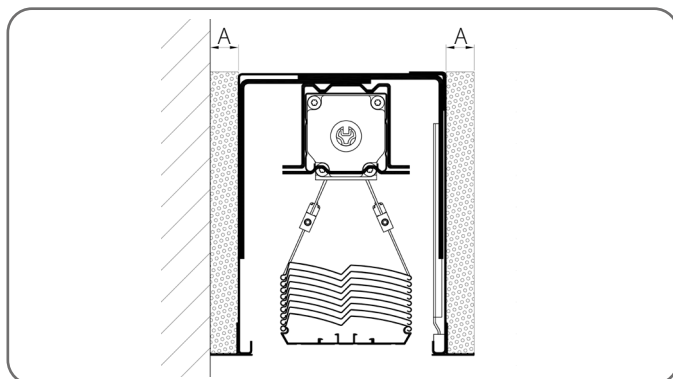
x	Colour	x	Colour	x	Colour
AND	anodised	23	anthracite grey	52R	winchester
00	mill finish	23B	anthracite grey	53R	dark oak
01	silver	26R	mahogany	73B	mouse grey
02	white	28R	nut	74B	copper bronze
03B	grey	29	light beige	75B	metallic grey
08	dark brown	30R	golden oak	80B	graphite grey
09	brown	31B	light grey	82	alpine white
16B	ivory	33	basalt grey	280R	nut
20B	black	34	quartz grey	300R	golden oak
21	black grey	37B	grey aluminium	IK	different colour
22B	ultra white	45	beige satin		

R - Covered with a decorative foil

	AND	00	01	02	03B	08	09	16B	20B	21	22B	23	23B	26R	28R	29	30R	31B	33	34	37B	45	52R	53R	73B	74B	75B	80B	82	280R	300R
NT/23/10/x	x	x	x	x	x	x		x	x		x	x	x	x	x	x	x	x	x	x	x	x	x	x	x	x	x	x	x	x	x
NT/23/20/x	x	x	x	x	x	x	x	x	x	x	x	x	x	x		x	x	x	x	x	x	x	x	x	x	x	x	x	x		
NT/45/10/x	x	x	x	x	x	x		x	x		x	x	x	x	x	x	x	x	x	x	x	x	x	x	x	x	x	x	x	x	x
NT/45/30/x	x	x	x	x	x	x		x	x		x	x	x		x		x	x	x	x	x			x	x	x	x	x			
NT/45/45/x	x	x	x	x	x	x		x	x		x	x	x		x		x	x	x	x	x			x	x	x	x	x			
NT/45/105/x	x	x	x	x	x	x		x	x		x	x	x		x		x	x	x	x	x			x	x	x	x	x			

R - Covered with a decorative foil

7.7. Plaster foundation



Plaster foundation		
	Catalogue code	A [mm]
1.	NT/XPS/8	8
2.	NT/XPS/10	10
3.	NT/XPS/16	16
4.	NT/XPS/20	20
5.	NT/XPS/22	22
6.	NT/XPS/30	30

7.8. Other information

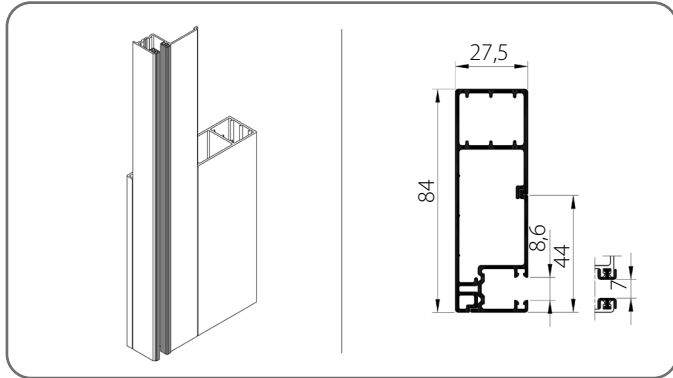
Blinds height [mm]	Slat width [mm]						
	1400	2400	3400	4400	5000	-	-
600 - 2500	1400	2400	3400	4400	5000	-	-
2501 - 3000	1300	2200	3100	4000	4900	5000	-
3001 - 4500	1200	2000	2800	3600	4400	5000	-
4501 - 5000	1100	1800	2500	3200	3900	4600	5000
Number of strap mechanisms	2	3	4	5	6	7	8

Guide channel handle					
Blinds height [mm]	600 - 1600	1601 - 2600	2601 - 3600	3601 - 4600	4601 - 5000
Number of handles [for 1 pcs guide channel]	2	3	4	5	6

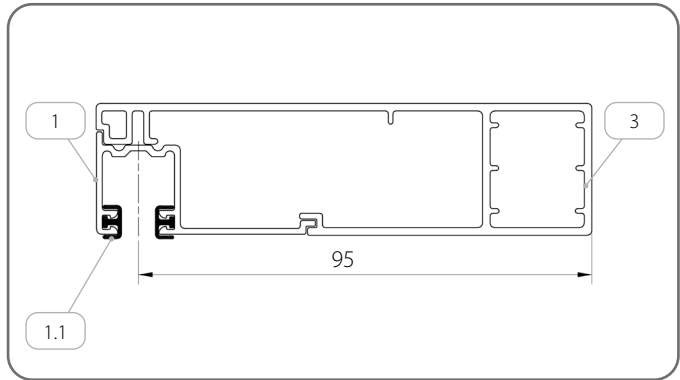
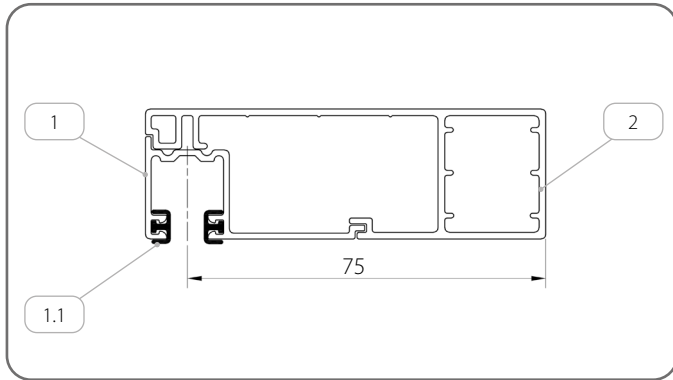
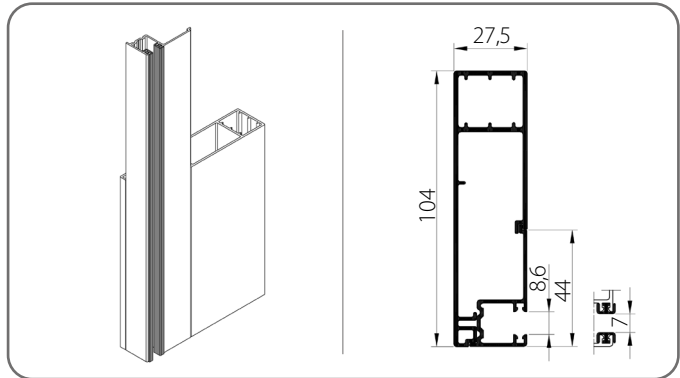
7.9. Guide channels

7.9.1. Guide channels - I Group

PBX/T1/84/x



PBX/T1/104/x



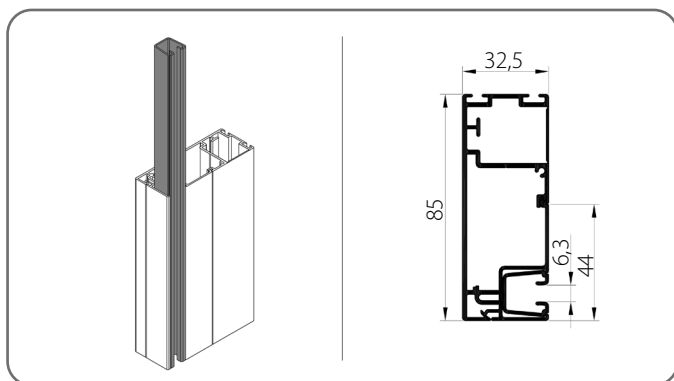
	Name of the component	Colour	Catalogue code
1.	Guide channel	x	PPF/x
1.1.	Damping seal	20 - black	-
2.	Guide channel adaptor	x	APPF/x
3.	Guide channel adaptor	x	APPF/104/x

x	Colour	x	Colour	x	Colour	x	Colour
00	mill finish	21	black grey	34	quartz grey	80B	graphite grey
01	silver	22B	ultra white	37B	grey aluminium	82	alpine white
03B	grey	23B	anthracite grey	45	beige satin	IK	different colour
09	brown	29	light beige	73B	mouse grey		
16B	ivory	31B	light grey	74B	copper bronze		
20B	black	33	basalt grey	75B	metallic grey		

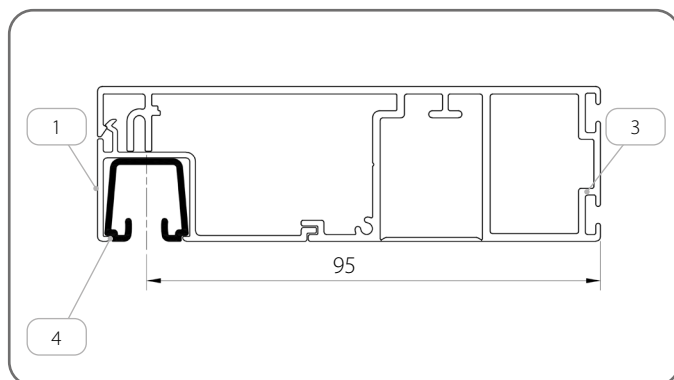
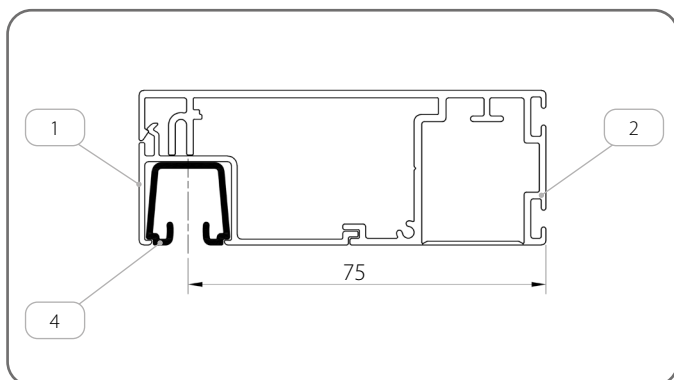
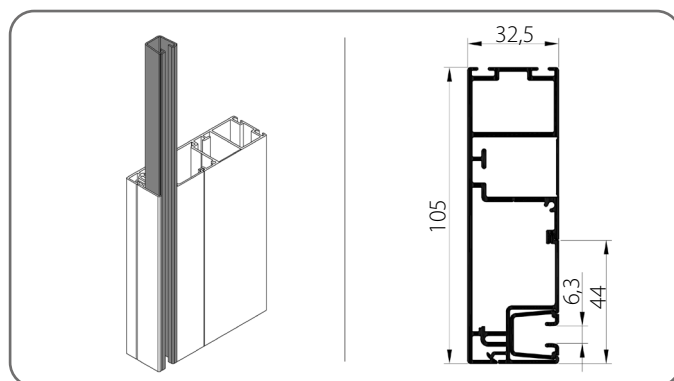
**CATALOGUE - TECHNICAL GUIDE FOR EXTERNAL
VENETIAN BLINDS (FACADE) SZF SkyFLOW SYSTEM**

Z 90 / 7. UNDER PLASTER BLINDS BOX/COMPACT

PBX/T2/85/x



PBX/T2/105/x



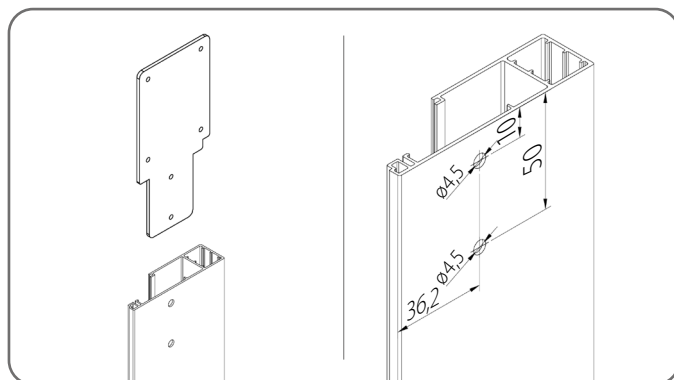
	Name of the component	Colour	Catalogue code
1.	Guide channel	x	PWUFx
2.	Guide channel adaptor	x	APWUF/85/x
3.	Guide channel adaptor	x	APWUF/105/x
4.	Guide channels insert	20 - black	WUF

x	Colour	x	Colour	x	Colour	x	Colour
00	mill finish	21	black grey	34	quartz grey	80B	graphite grey
01	silver	22B	ultra white	37B	grey aluminium	82	alpine white
03B	grey	23B	anthracite grey	45	beige satin	IK	different colour
09	brown	29	light beige	73B	mouse grey		
16B	ivory	31B	light grey	74B	copper bronze		
20B	black	33	basalt grey	75B	metallic grey		

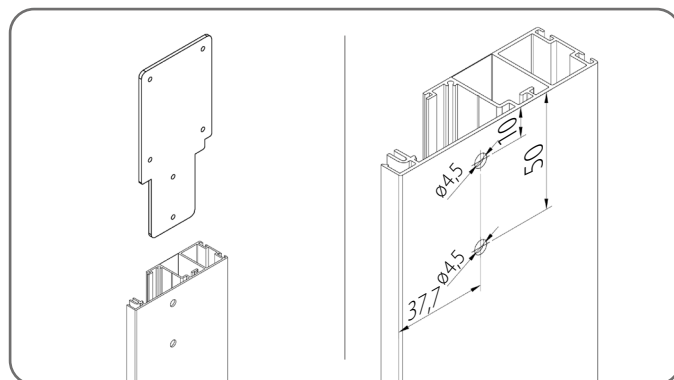
7.9.1.1. Drilling guide channels

Holes for attaching end cap pin and guide channels are already prepared.

PBX/T1



PBX/T2

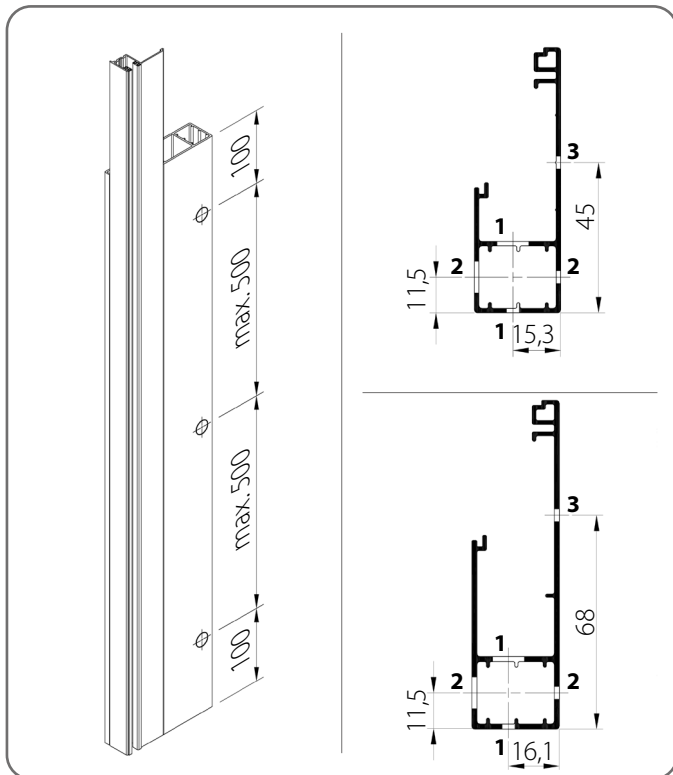


CATALOGUE - TECHNICAL GUIDE FOR EXTERNAL VENETIAN BLINDS (FACADE) SZF SKYFLOW SYSTEM

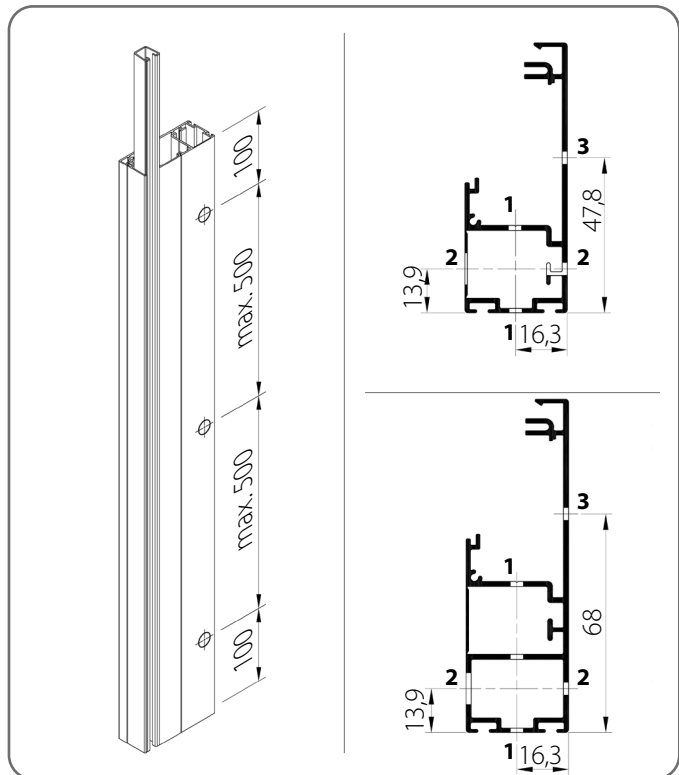
Z 90 / 7. UNDER PLASTER BLINDS BOX/COMPACT

 It is possible to order a guide channel with pre-drilled mounting holes in accordance with the diagram.

PBX/T1



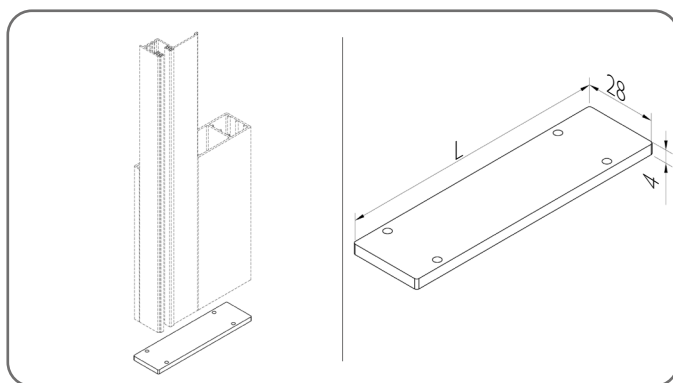
PBX/T2



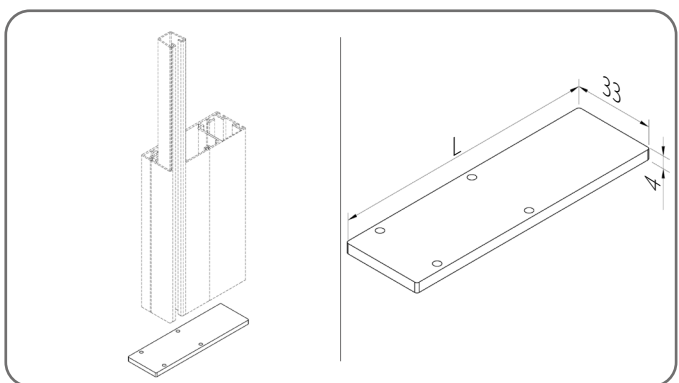
7.9.1.2. Guide channel side lock

Aluminium side lock.

For guide channels type BX/T1



For guide channels type BX/T2



	Catalogue code	L [mm]
1.	ZAPBX/T1/84/x	85
2.	ZAPBX/T1/104/x	105

	Catalogue code	L [mm]
1.	ZAPBX/T2/85/x	86
2.	ZAPBX/T2/105/x	106

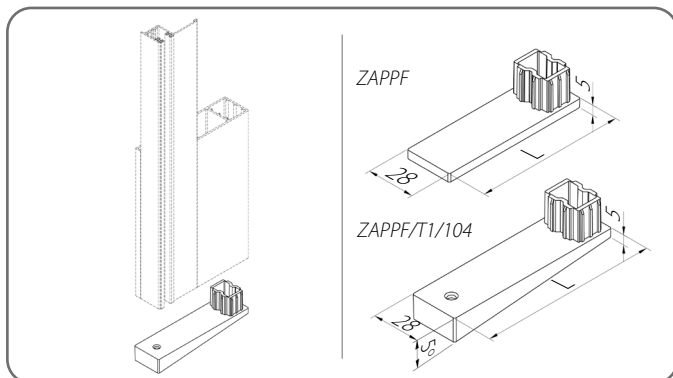
x	Colour	x	Colour	x	Colour	x	Colour
00	mill finish	21	black grey	34	quartz grey	80B	graphite grey
01	silver	22B	ultra white	37B	grey aluminium	82	alpine white
03B	grey	23B	anthracite grey	45	beige satin	IK	different colour
09	brown	29	light beige	73B	mouse grey		
16B	ivory	31B	light grey	74B	copper bronze		
20B	black	33	basalt grey	75B	metallic grey		

**CATALOGUE - TECHNICAL GUIDE FOR EXTERNAL
VENETIAN BLINDS (FACADE) SZF SkyFLOW SYSTEM**

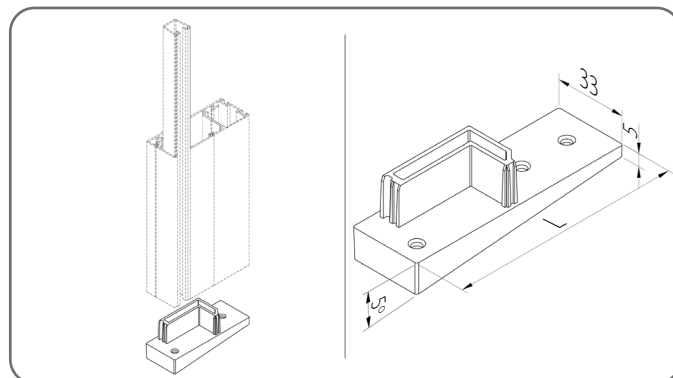
Z 90 / 7. UNDER PLASTER BLINDS BOX/COMPACT

PVC side lock.

For guide channels type BX/T1



For guide channels type BX/T2



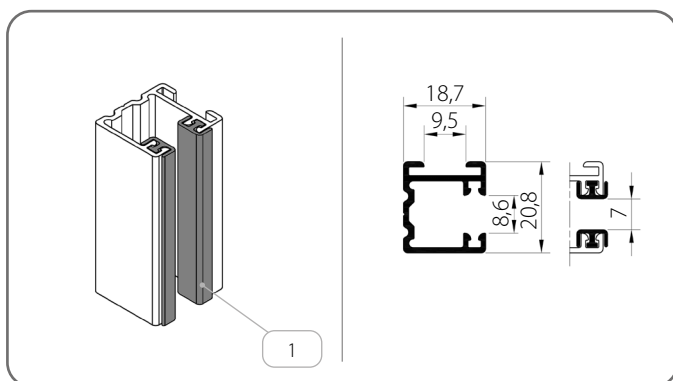
	Catalogue code	L [mm]
1.	ZAPPF/x	85
2.	ZAPPF/T1/104/x	105

	Catalogue code	L [mm]	Guide channel
1.	ZPBX/T2/x	86	PBX/T2/85
		106	PBX/T2/105

x	Colour	x	Colour	x	Colour	x	Colour
01	silver	20B	black	31B	light grey	74B	copper bronze
03B	grey	21	black grey	34	quartz grey	75B	metallic grey
09	brown	22B	ultra white	37B	grey aluminium		
16B	ivory	23B	anthracite grey	73B	mouse grey		

7.9.2. Guide channels - Group II

PP SZF/2/x



	Name of the component	Colour
1.	Damping seal	20 - black

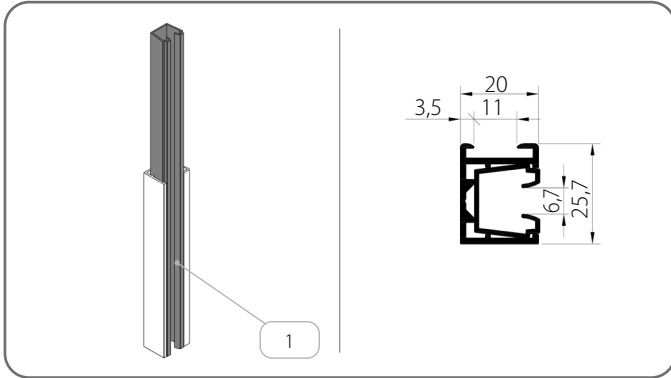
x	Colour	x	Colour	x	Colour	x	Colour
00	mill finish	21	black grey	34	quartz grey	80B	graphite grey
01	silver	22B	ultra white	37B	grey aluminium	82	alpine white
03B	grey	23B	anthracite grey	45	beige satin	IK	different colour
09	brown	29	light beige	73B	mouse grey		
16B	ivory	31B	light grey	74B	copper bronze		
20B	black	33	basalt grey	75B	metallic grey		

**CATALOGUE - TECHNICAL GUIDE FOR EXTERNAL
VENETIAN BLINDS (FACADE) SZF SKYFLOW SYSTEM**

Z 90 / 7. UNDER PLASTER BLINDS BOX/COMPACT

7.9.3. Guide channels - Group III

PP SZF/WUF_S/2/x

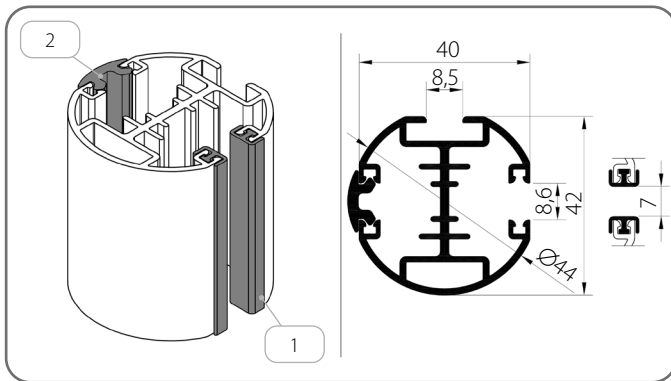


	Name of the component	Colour
1.	Guide channels insert	03 - grey 20 - black

x	Colour	x	Colour	x	Colour	x	Colour
00	mill finish	21	black grey	34	quartz grey	80B	graphite grey
01	silver	22B	ultra white	37B	grey aluminium	82	alpine white
03B	grey	23B	anthracite grey	45	beige satin	IK	different colour
09	brown	29	light beige	73B	mouse grey		
16B	ivory	31B	light grey	74B	copper bronze		
20B	black	33	basalt grey	75B	metallic grey		

7.9.4. Guide channels - Group IV

PPDO SZF/1/x



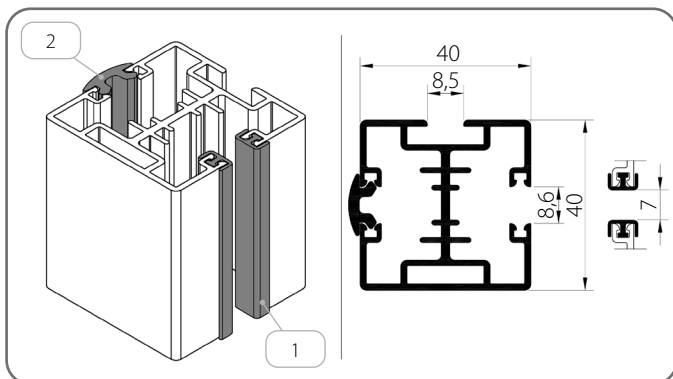
	Name of the component	Colour
1.	Damping seal	20 - black
2.	Masking seal	03 - grey 20 - black

x	Colour	x	Colour	x	Colour	x	Colour
00	mill finish	21	black grey	34	quartz grey	80B	graphite grey
01	silver	22B	ultra white	37B	grey aluminium	82	alpine white
03B	grey	23B	anthracite grey	45	beige satin	IK	different colour
09	brown	29	light beige	73B	mouse grey		
16B	ivory	31B	light grey	74B	copper bronze		
20B	black	33	basalt grey	75B	metallic grey		

**CATALOGUE - TECHNICAL GUIDE FOR EXTERNAL
VENETIAN BLINDS (FACADE) SZF SkyFLOW SYSTEM**

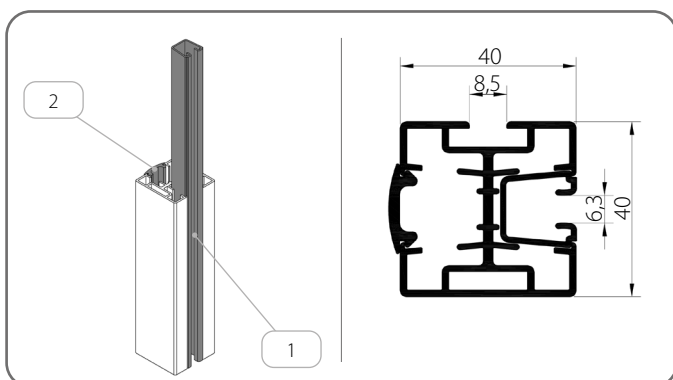
Z 90 / 7. UNDER PLASTER BLINDS BOX/COMPACT

PPD SZF/2/x



	Name of the component	Colour
1.	Damping seal	20 - black
2.	Masking seal	03 - grey 20 - black

PPD SZF/WUF/2/x



	Name of the component	Colour
1.	Guide channels insert	20 - black
2.	Masking seal	03 - grey 20 - black

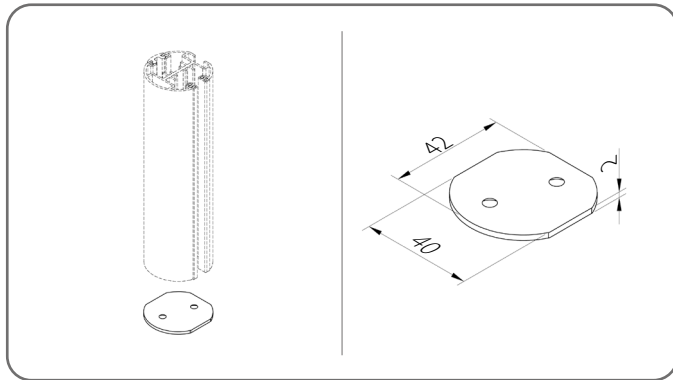
x	Colour	x	Colour	x	Colour	x	Colour
00	mill finish	21	black grey	34	quartz grey	80B	graphite grey
01	silver	22B	ultra white	37B	grey aluminium	82	alpine white
03B	grey	23B	anthracite grey	45	beige satin	IK	different colour
09	brown	29	light beige	73B	mouse grey		
16B	ivory	31B	light grey	74B	copper bronze		
20B	black	33	basalt grey	75B	metallic grey		

**CATALOGUE - TECHNICAL GUIDE FOR EXTERNAL
VENETIAN BLINDS (FACADE) SZF SkyFlow SYSTEM**

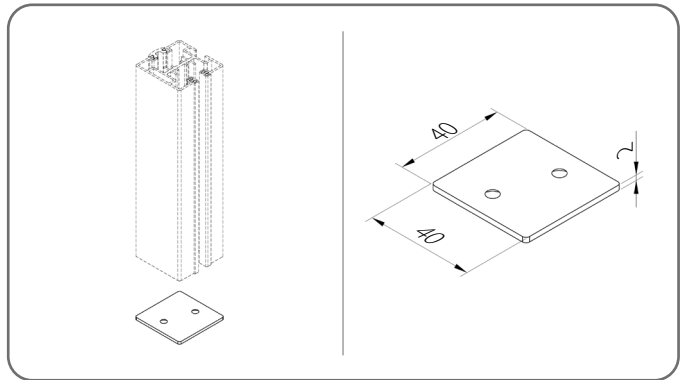
Z 90 / 7. UNDER PLASTER BLINDS BOX/COMPACT

7.9.4.1. Guide channel side lock

ZPPDO SZF/1



ZPPD SZF/2

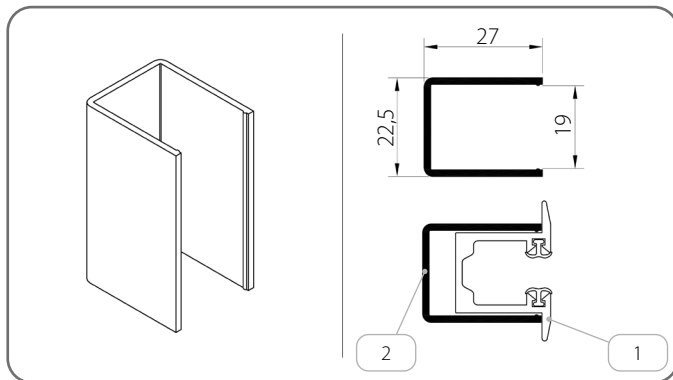


x	Colour	x	Colour	x	Colour	x	Colour
00	mill finish	21	black grey	34	quartz grey	80B	graphite grey
01	silver	22B	ultra white	37B	grey aluminium	82	alpine white
03B	grey	23B	anthracite grey	45	beige satin	IK	different colour
09	brown	29	light beige	73B	mouse grey		
16B	ivory	31B	light grey	74B	copper bronze		
20B	black	33	basalt grey	75B	metallic grey		

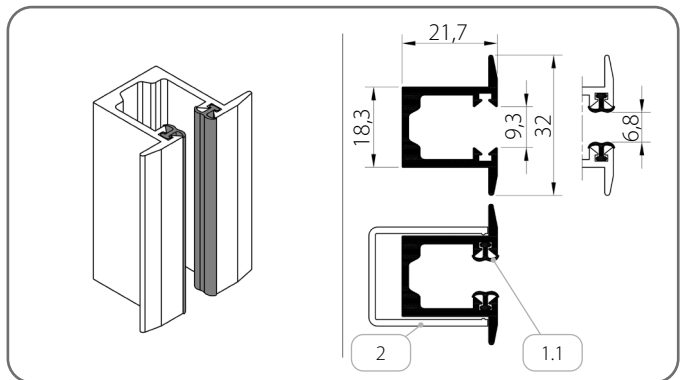
Aluminium side lock.

7.9.5. Guide channels - Group V

K/PU/P/T1 SZF



PU/P/T1 SZF/x

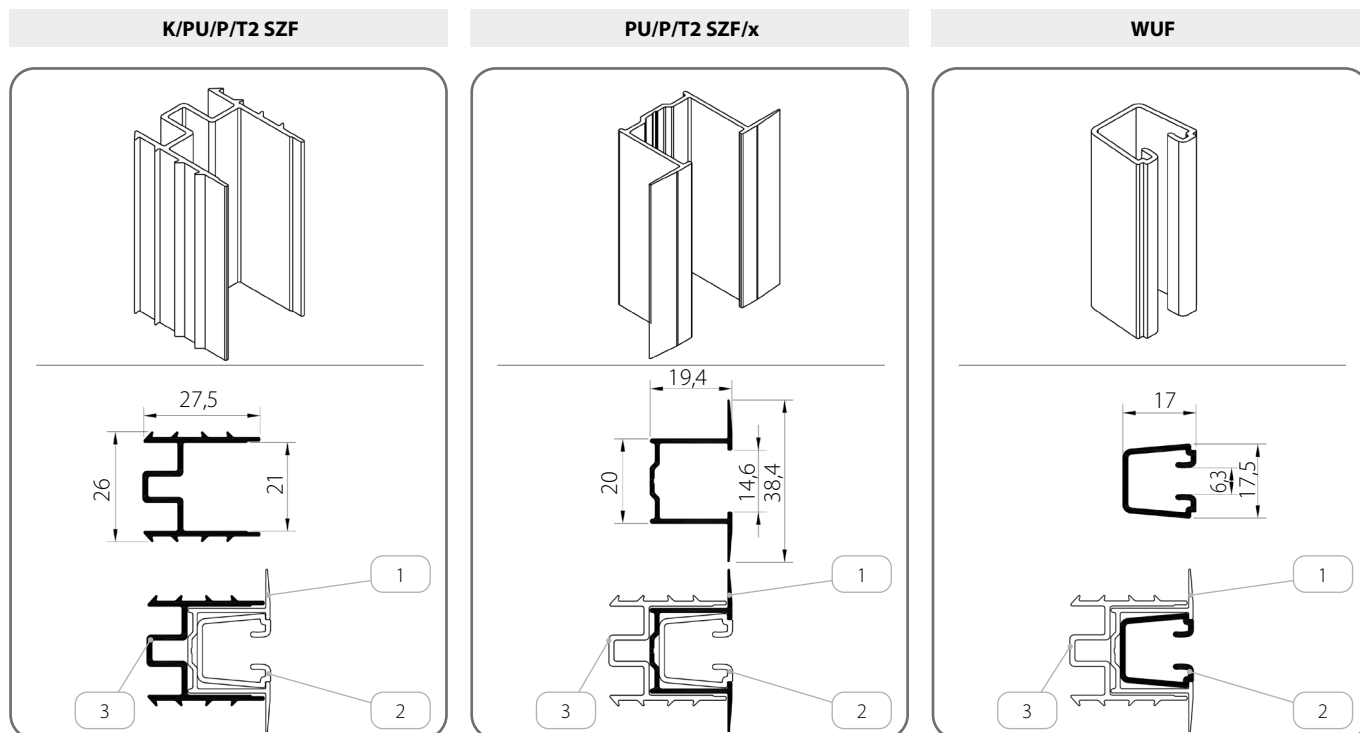


	Name of the component	Colour	Catalogue code
1.	Under plaster simple guide channel	x	PU/P/T1 SZF/x
1.1.	Damping seal	20 - black	-
2.	Under plaster simple guide channel pocket	-	K/PU/P/T1 SZF

x	Colour	x	Colour	x	Colour	x	Colour
00	mill finish	21	black grey	34	quartz grey	80B	graphite grey
01	silver	22B	ultra white	37B	grey aluminium	82	alpine white
03B	grey	23B	anthracite grey	45	beige satin	IK	different colour
09	brown	29	light beige	73B	mouse grey		
16B	ivory	31B	light grey	74B	copper bronze		
20B	black	33	basalt grey	75B	metallic grey		

**CATALOGUE - TECHNICAL GUIDE FOR EXTERNAL
VENETIAN BLINDS (FACADE) SZF SkyFLOW SYSTEM**

Z 90 / 7. UNDER PLASTER BLINDS BOX/COMPACT

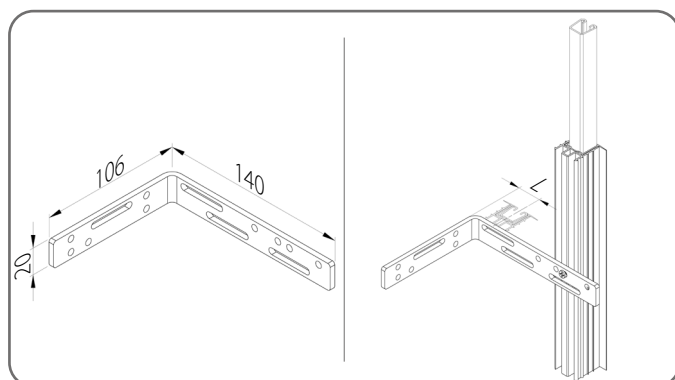


	Name of the component	Colour	Catalogue code
1.	Under plaster simple guide channel	x	PU/P/T2 SZF/x
2.	Guide channels insert	20 - black	WUF
3.	Under plaster simple guide channel pocket	-	K/PU/P/T2 SZF

x	Colour	x	Colour	x	Colour	x	Colour
00	mill finish	21	black grey	34	quartz grey	80B	graphite grey
01	silver	22B	ultra white	37B	grey aluminium	82	alpine white
03B	grey	23B	anthracite grey	45	beige satin	IK	different colour
09	brown	29	light beige	73B	mouse grey		
16B	ivory	31B	light grey	74B	copper bronze		
20B	black	33	basalt grey	75B	metallic grey		

7.9.5.1. Mounting angle

KMK/140x100



	Catalogue code	L [mm]
1.	KMK/140x100	15 - 130

	Blinds height [mm]	Number of angles [for 1 pcs guide channel]
1.	600 - 1600	2
2.	1601 - 2600	3
3.	2601 - 3600	4
4.	3601 - 4400	5

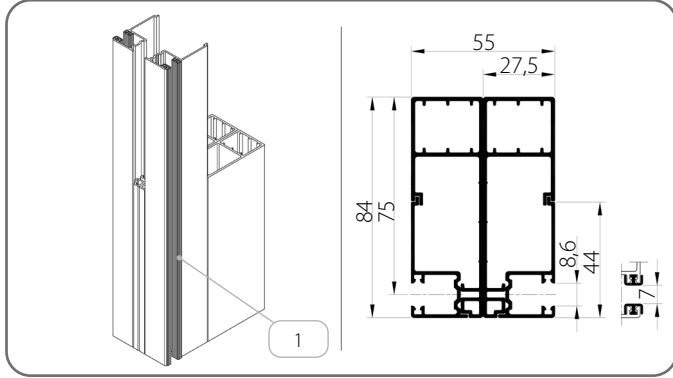
**CATALOGUE - TECHNICAL GUIDE FOR EXTERNAL
VENETIAN BLINDS (FACADE) SZF SKYFLOW SYSTEM**

Z 90 / 7. UNDER PLASTER BLINDS BOX/COMPACT

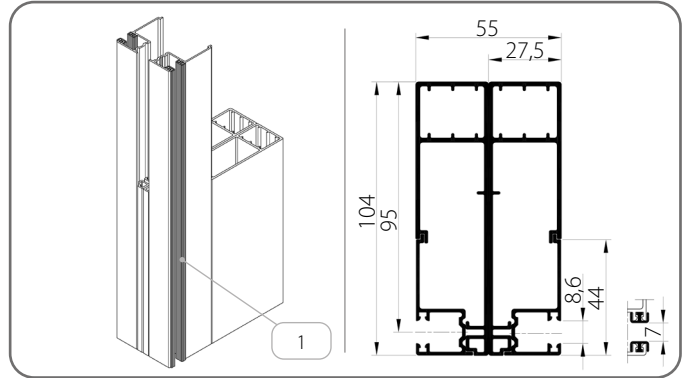
7.10. Division guide channels

7.10.1. Guide channels - I Group

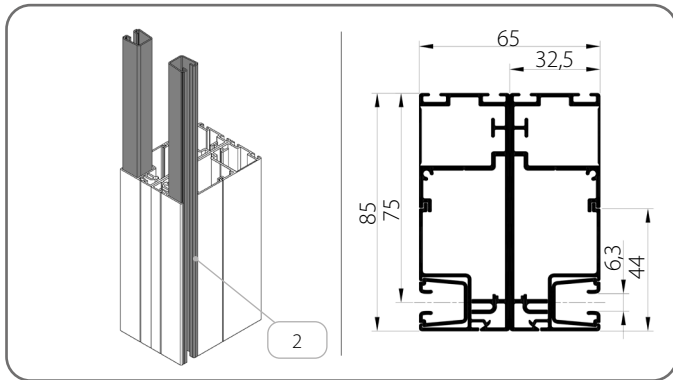
PBX/T1/84/x + PBX/T1/84/x



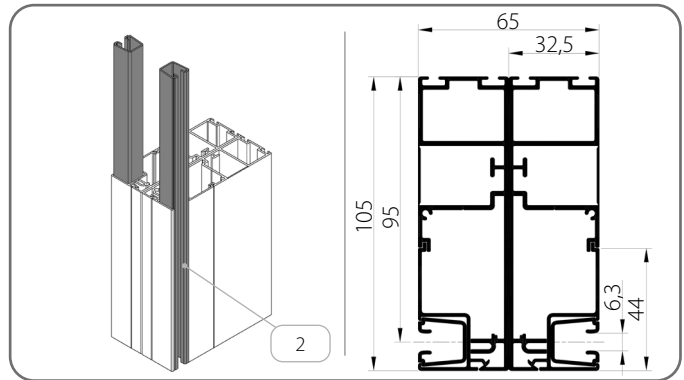
PBX/T1/104/x + PBX/T1/104/x



PBX/T2/85/x + PBX/T2/85/x



PBX/T2/105/x + PBX/T2/105/x



	Name of the component	Colour
1.	Damping seal	20 - black
2.	Guide channels insert	20 - black

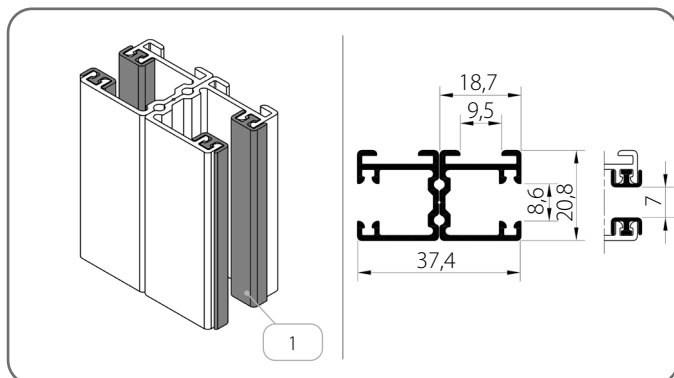
x	Colour	x	Colour	x	Colour	x	Colour
00	mill finish	21	black grey	34	quartz grey	80B	graphite grey
01	silver	22B	ultra white	37B	grey aluminium	82	alpine white
03B	grey	23B	anthracite grey	45	beige satin	IK	different colour
09	brown	29	light beige	73B	mouse grey		
16B	ivory	31B	light grey	74B	copper bronze		
20B	black	33	basalt grey	75B	metallic grey		

**CATALOGUE - TECHNICAL GUIDE FOR EXTERNAL
VENETIAN BLINDS (FACADE) SZF SkyFLOW SYSTEM**

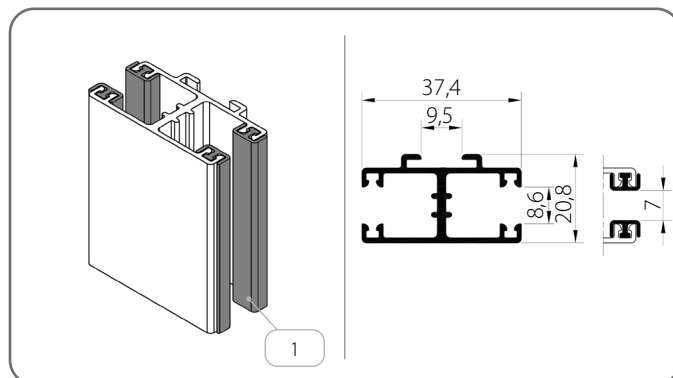
Z 90 / 7. UNDER PLASTER BLINDS BOX/COMPACT

7.10.2. Guide channels - Group II

PP SZF/2/x + PP SZF/2/x



PPD SZF/1/x

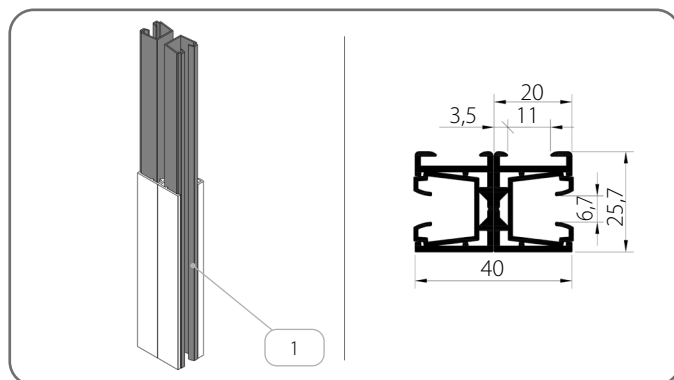


	Name of the component	Colour
1.	Damping seal	20 - black

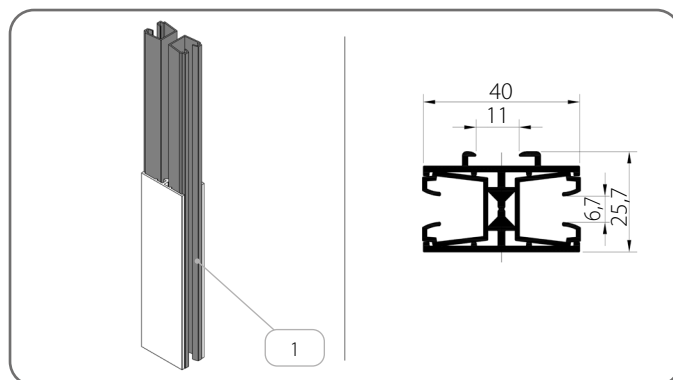
x	Colour	x	Colour	x	Colour	x	Colour
00	mill finish	21	black grey	34	quartz grey	80B	graphite grey
01	silver	22B	ultra white	37B	grey aluminium	82	alpine white
03B	grey	23B	anthracite grey	45	beige satin	IK	different colour
09	brown	29	light beige	73B	mouse grey		
16B	ivory	31B	light grey	74B	copper bronze		
20B	black	33	basalt grey	75B	metallic grey		

7.10.3. Guide channels - Group III

PP SZF/WUF_S/2/x + PP SZF/WUF_S/2/x



PPD SZF/WUF_S/1/x



	Name of the component	Colour
1.	Guide channels insert	03 - grey 20 - black

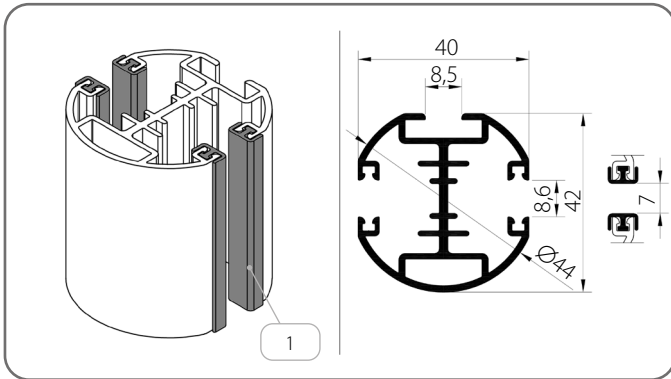
x	Colour	x	Colour	x	Colour	x	Colour
00	mill finish	21	black grey	34	quartz grey	80B	graphite grey
01	silver	22B	ultra white	37B	grey aluminium	82	alpine white
03B	grey	23B	anthracite grey	45	beige satin	IK	different colour
09	brown	29	light beige	73B	mouse grey		
16B	ivory	31B	light grey	74B	copper bronze		
20B	black	33	basalt grey	75B	metallic grey		

**CATALOGUE - TECHNICAL GUIDE FOR EXTERNAL
VENETIAN BLINDS (FACADE) SZF SKYFLOW SYSTEM**

Z 90 / 7. UNDER PLASTER BLINDS BOX/COMPACT

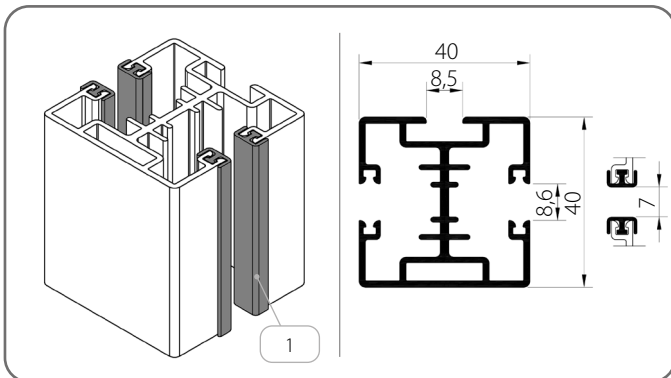
7.10.4. Guide channels - Group IV

PPDO-P SZF/1/x



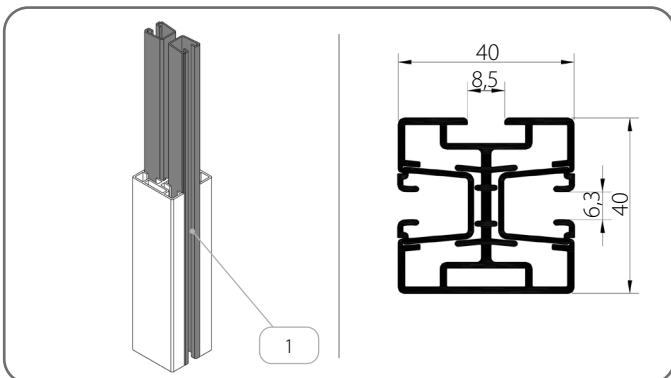
	Name of the component	Colour
1.	Guide channels insert	20 - black

PPD-P SZF/2/x



	Name of the component	Colour
1.	Guide channels insert	20 - black

PPD-P SZF/WUF/2/x



	Name of the component	Colour
1.	Guide channels insert	20 - black

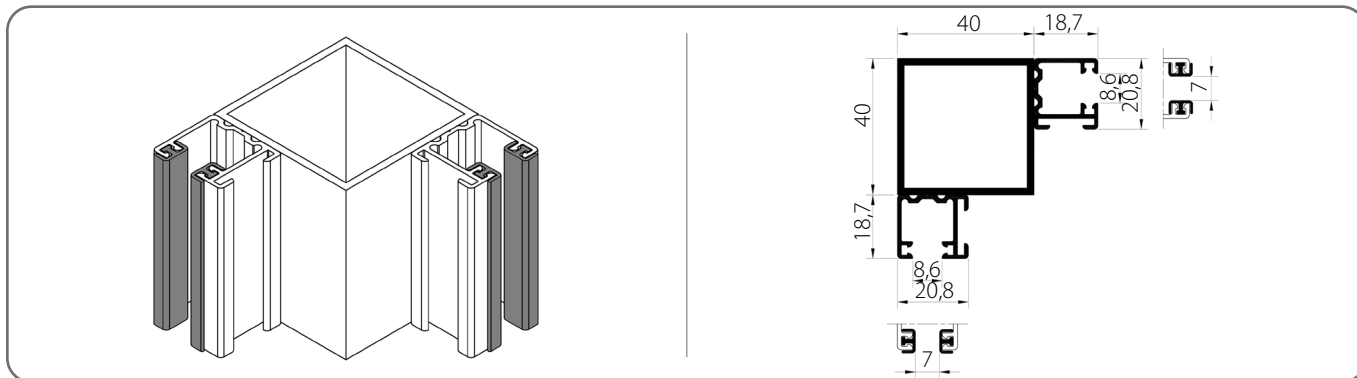
x	Colour	x	Colour	x	Colour	x	Colour
00	mill finish	21	black grey	34	quartz grey	80B	graphite grey
01	silver	22B	ultra white	37B	grey aluminium	82	alpine white
03B	grey	23B	anthracite grey	45	beige satin	IK	different colour
09	brown	29	light beige	73B	mouse grey		
16B	ivory	31B	light grey	74B	copper bronze		
20B	black	33	basalt grey	75B	metallic grey		

**CATALOGUE - TECHNICAL GUIDE FOR EXTERNAL
VENETIAN BLINDS (FACADE) SZF SkyFLOW SYSTEM**

Z 90 / 7. UNDER PLASTER BLINDS BOX/COMPACT

7.10.5. Corner guide channels

RP/40x40x2/x + PP SZF/2/x



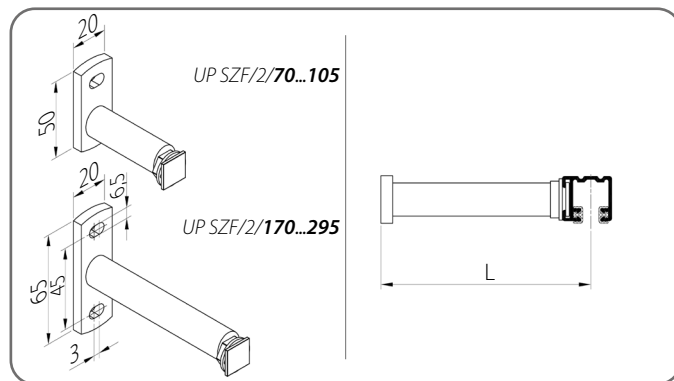
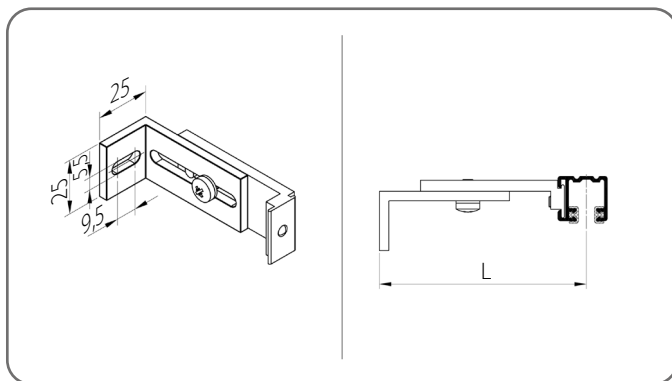
x	Colour	x	Colour	x	Colour	x	Colour
00	mill finish	21	black grey	34	quartz grey	80B	graphite grey
01	silver	22B	ultra white	37B	grey aluminium	82	alpine white
03B	grey	23B	anthracite grey	45	beige satin	IK	different colour
09	brown	29	light beige	73B	mouse grey		
16B	ivory	31B	light grey	74B	copper bronze		
20B	black	33	basalt grey	75B	metallic grey		

7.11. Guide channel handles

7.11.1. Guide channels - Group II

UP SZF/1

UP SZF/2



	Catalogue code	L [mm]
1.	UP SZF/1/70/x	50 - 70
2.	UP SZF/1/100/x	71 - 100
3.	UP SZF/1/145/x	101 - 145

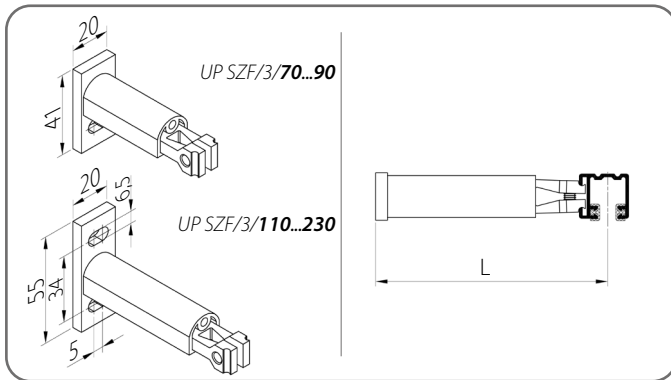
	Catalogue code	L [mm]
1.	UP SZF/2/70/x	50 - 70
2.	UP SZF/2/105/x	71 - 105
3.	UP SZF/2/170/x	106 - 170
4.	UP SZF/2/295/x	171 - 295

x	Colour	x	Colour	x	Colour	x	Colour
00	mill finish	21	black grey	34	quartz grey	80B	graphite grey
01	silver	22B	ultra white	37B	grey aluminium	82	alpine white
03B	grey	23B	anthracite grey	45	beige satin	IK	different colour
09	brown	29	light beige	73B	mouse grey		
16B	ivory	31B	light grey	74B	copper bronze		
20B	black	33	basalt grey	75B	metallic grey		

**CATALOGUE - TECHNICAL GUIDE FOR EXTERNAL
VENETIAN BLINDS (FACADE) SZF SKYFLOW SYSTEM**

Z 90 / 7. UNDER PLASTER BLINDS BOX/COMPACT

UP SZF/3

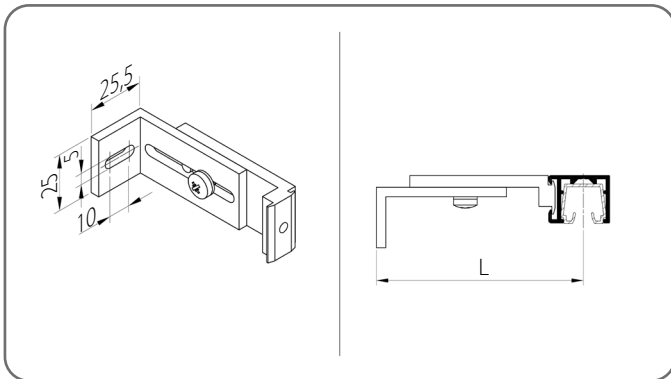


	Catalogue code	L [mm]
1.	UP SZF/3/70/x	60 - 70
2.	UP SZF/3/90/x	71 - 90
3.	UP SZF/3/110/x	91 - 110
4.	UP SZF/3/130/x	111 - 130
5.	UP SZF/3/150/x	131 - 150
6.	UP SZF/3/170/x	151 - 170
7.	UP SZF/3/190/x	171 - 190
8.	UP SZF/3/210/x	191 - 210
9.	UP SZF/3/230/x	211 - 230

x	Colour	x	Colour	x	Colour	x	Colour
00	mill finish	21	black grey	34	quartz grey	80B	graphite grey
01	silver	22B	ultra white	37B	grey aluminium	82	alpine white
03B	grey	23B	anthracite grey	45	beige satin	IK	different colour
09	brown	29	light beige	73B	mouse grey		
16B	ivory	31B	light grey	74B	copper bronze		
20B	black	33	basalt grey	75B	metallic grey		

7.11.2. Guide channels - Group III

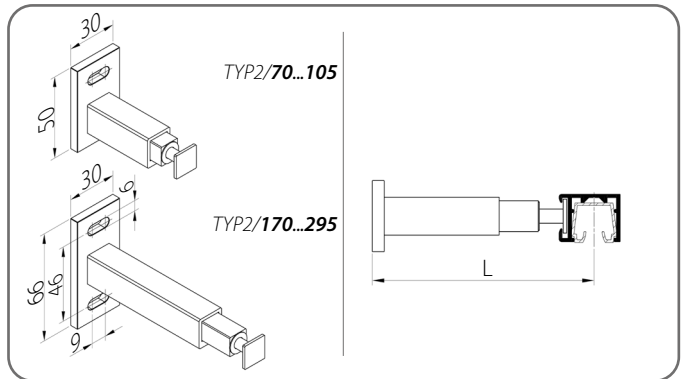
TYP 1



	Catalogue code	L [mm]
1.	TYP1/75/x	55 - 75
2.	TYP1/105/x	76 - 105
3.	TYP1/160/x	106 - 160

x	Colour	x	Colour
00	mill finish	21	black grey
01	silver	22B	ultra white
03B	grey	23B	anthracite grey
09	brown	29	light beige
16B	ivory	31B	light grey
20B	black	33	basalt grey

TYP 2



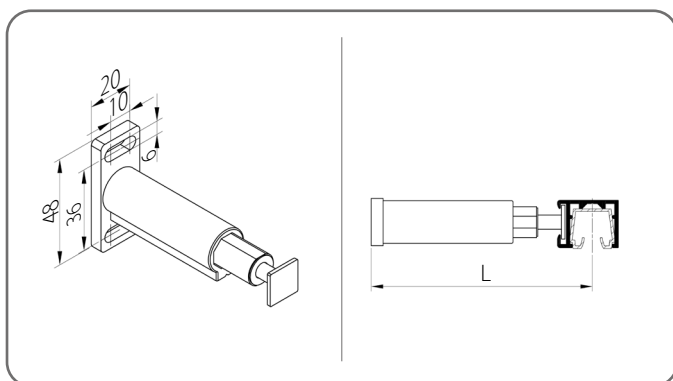
	Catalogue code	L [mm]
1.	TYP2/70/x	50 - 70
2.	TYP2/105/x	71 - 105
3.	TYP2/170/x	106 - 170
4.	TYP2/295/x	171 - 295

x	Colour	x	Colour
34	quartz grey	80B	graphite grey
37B	grey aluminium	82	alpine white
45	beige satin	IK	different colour
73B	mouse grey		
74B	copper bronze		
75B	metallic grey		

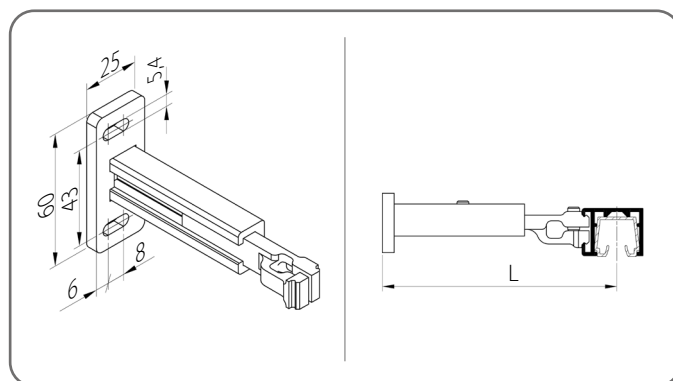
**CATALOGUE - TECHNICAL GUIDE FOR EXTERNAL
VENETIAN BLINDS (FACADE) SZF SkyFLOW SYSTEM**

Z 90 / 7. UNDER PLASTER BLINDS BOX/COMPACT

TYP 3



TYP 4



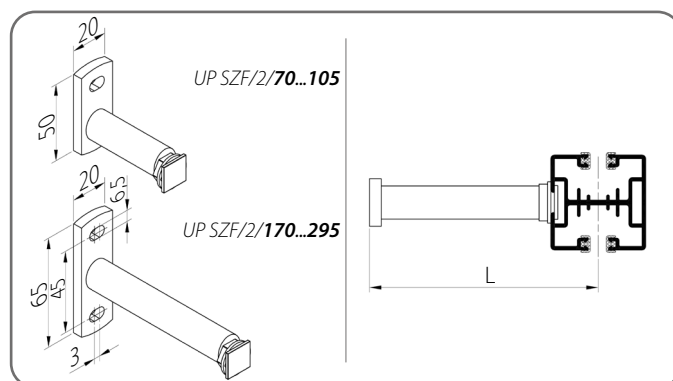
	Catalogue code	L [mm]
1.	TYP3/75/x	50 - 75
2.	TYP3/1/120/x	76 - 120

	Catalogue code	L [mm]
1.	TYP4/80/x	60 - 80
2.	TYP4/115/x	81 - 115
3.	TYP4/170/x	116 - 170

x	Colour	x	Colour	x	Colour	x	Colour
00	mill finish	21	black grey	34	quartz grey	80B	graphite grey
01	silver	22B	ultra white	37B	grey aluminium	82	alpine white
03B	grey	23B	anthracite grey	45	beige satin	IK	different colour
09	brown	29	light beige	73B	mouse grey		
16B	ivory	31B	light grey	74B	copper bronze		
20B	black	33	basalt grey	75B	metallic grey		

7.11.3. Guide channels - Group IV

UP SZF/2



	Catalogue code	L [mm]
1.	UP SZF/2/70/x	58 - 78*
2.	UP SZF/2/105/x	79 - 113*
3.	UP SZF/2/170/x	114 - 178*
4.	UP SZF/2/295/x	179 - 303*

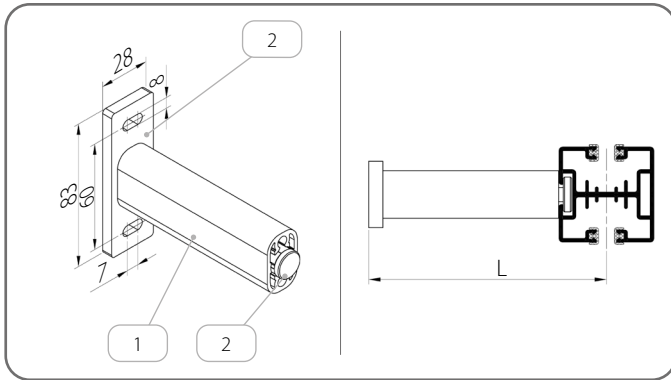
* Values changed due to the use of **PPD-P SZF/2** or **PPDO-P SZF/1** guide channels.

x	Colour	x	Colour	x	Colour	x	Colour
00	mill finish	21	black grey	34	quartz grey	80B	graphite grey
01	silver	22B	ultra white	37B	grey aluminium	82	alpine white
03B	grey	23B	anthracite grey	45	beige satin	IK	different colour
09	brown	29	light beige	73B	mouse grey		
16B	ivory	31B	light grey	74B	copper bronze		
20B	black	33	basalt grey	75B	metallic grey		

**CATALOGUE - TECHNICAL GUIDE FOR EXTERNAL
VENETIAN BLINDS (FACADE) SZF SKYFLOW SYSTEM**

Z 90 / 7. UNDER PLASTER BLINDS BOX/COMPACT

UP SZF/4/x



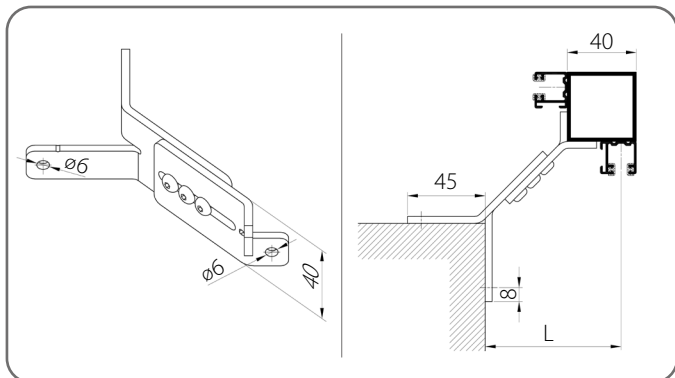
	Catalogue code	L [mm]
1.	UP SZF/4	75 - 200

	Name of the component	Catalogue code
1.	Telescopic handle profile	PUT SZF/x
2.	Telescopic handle set	ZUP SZF/4/x

x	Colour	x	Colour	x	Colour	x	Colour
00	mill finish	21	black grey	34	quartz grey	80B	graphite grey
01	silver	22B	ultra white	37B	grey aluminium	82	alpine white
03B	grey	23B	anthracite grey	45	beige satin	IK	different colour
09	brown	29	light beige	73B	mouse grey		
16B	ivory	31B	light grey	74B	copper bronze		
20B	black	33	basalt grey	75B	metallic grey		

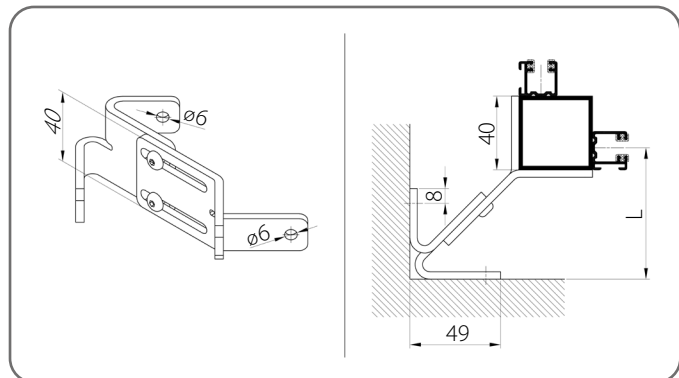
7.11.4. Corner handle

UP SZF/N/1



	Catalogue code	L [mm]
1.	UP SZF/N/1/80/x	75 - 85
2.	UP SZF/N/1/100/x	86 - 105
3.	UP SZF/N/1/140/x	106 - 145

UP SZF/N/2



	Catalogue code	L [mm]
1.	UP SZF/N/2/80/x	50 - 60
2.	UP SZF/N/2/100/x	61 - 80
3.	UP SZF/N/2/140/x	81 - 120

x	Colour
AND	anodised

! Corner solution available only with **PP SZF/2 guides**.

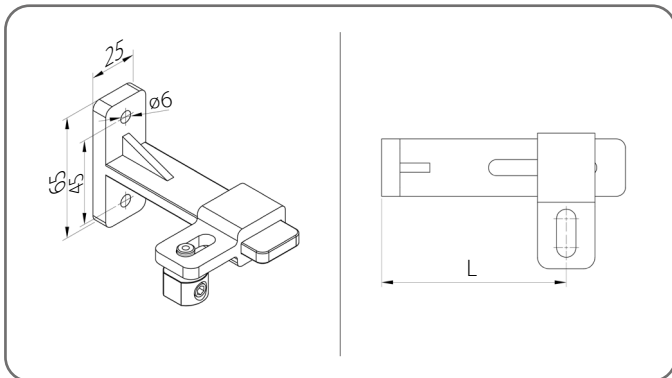
**CATALOGUE - TECHNICAL GUIDE FOR EXTERNAL
VENETIAN BLINDS (FACADE) SZF SkyFLOW SYSTEM**

Z 90 / 7. UNDER PLASTER BLINDS BOX/COMPACT

7.12. Wire handles

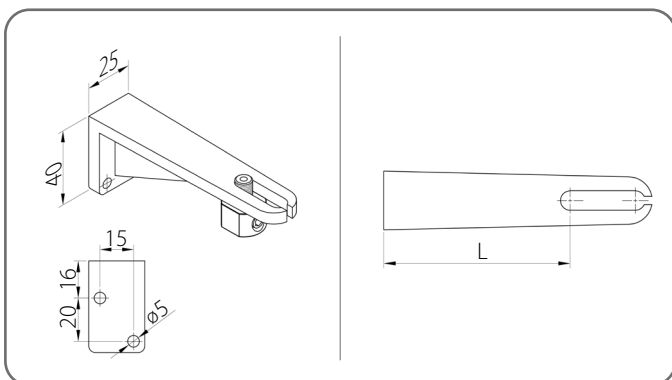
 All grips come with a tensioner.

UDL/1



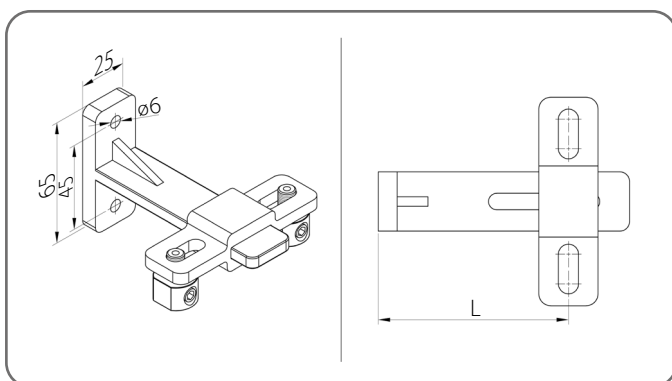
	Catalogue code	L [mm]
1.	UDL/1/90/x	50 - 90
2.	UDL/1/128/x	88 - 128
3.	UDL/1/165/x	125 - 165
4.	UDL/1/200/x	160 - 200

UDL/2



	Catalogue code	L [mm]
1.	UDL/2/50/x	29 - 50
2.	UDL/2/76/x	55 - 76
3.	UDL/2/104/x	83 - 104
4.	UDL/2/132/x	111 - 132
5.	UDL/2/160/x	139 - 160

UDL/4



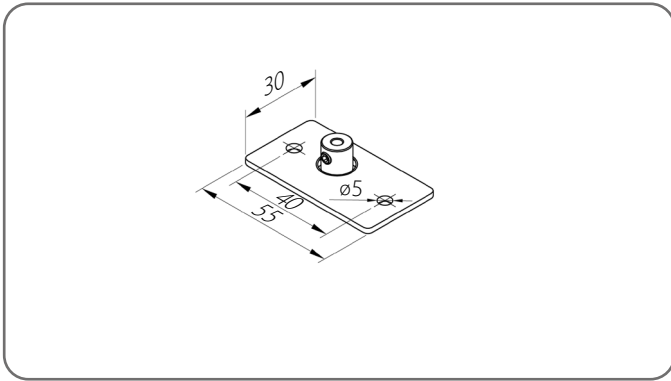
	Catalogue code	L [mm]
1.	UDL/4/90/x	50 - 90
2.	UDL/4/128/x	88 - 128
3.	UDL/4/165/x	125 - 165
4.	UDL/4/200/x	160 - 200

x	Colour	x	Colour	x	Colour	x	Colour
00	mill finish	21	black grey	34	quartz grey	80B	graphite grey
01	silver	22B	ultra white	37B	grey aluminium	82	alpine white
03B	grey	23B	anthracite grey	45	beige satin	IK	different colour
09	brown	29	light beige	73B	mouse grey		
16B	ivory	31B	light grey	74B	copper bronze		
20B	black	33	basalt grey	75B	metallic grey		

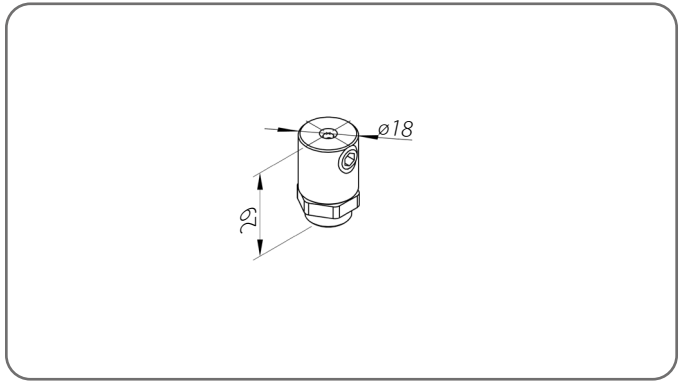
**CATALOGUE - TECHNICAL GUIDE FOR EXTERNAL
VENETIAN BLINDS (FACADE) SZF SKYFLOW SYSTEM**

Z 90 / 7. UNDER PLASTER BLINDS BOX/COMPACT

UDL/3/x



UDL/5



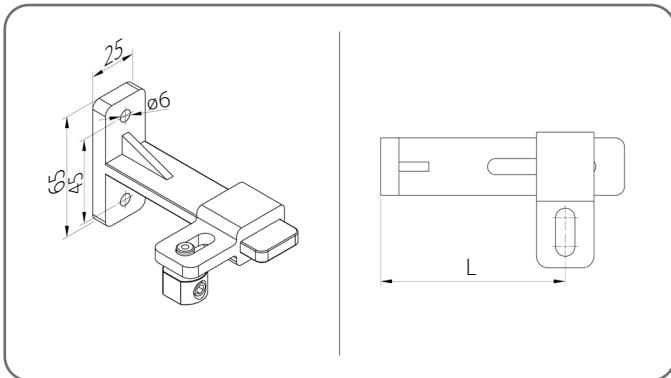
x Colour

AND anodised

7.12.1. Guide channel wire reinforcement

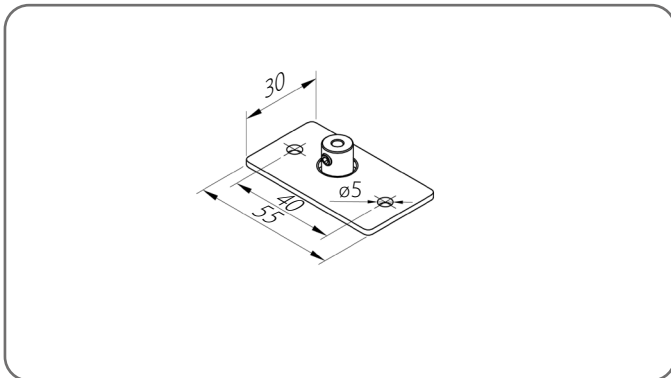
All grips come with a tensioner.

UDL/1



	Catalogue code	L [mm]
1.	UDL/1/90/x	50 - 90
2.	UDL/1/128/x	88 - 128
3.	UDL/1/165/x	125 - 165
4.	UDL/1/200/x	160 - 200

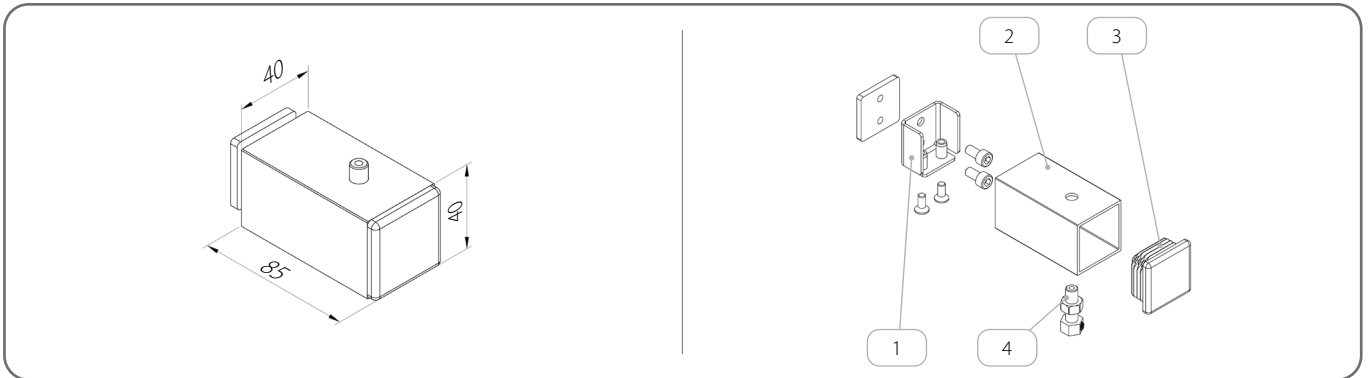
UDL/3/x



**CATALOGUE - TECHNICAL GUIDE FOR EXTERNAL
VENETIAN BLINDS (FACADE) SZF SkyFLOW SYSTEM**

Z 90 / 7. UNDER PLASTER BLINDS BOX/COMPACT


WZLP/40x40x2/x



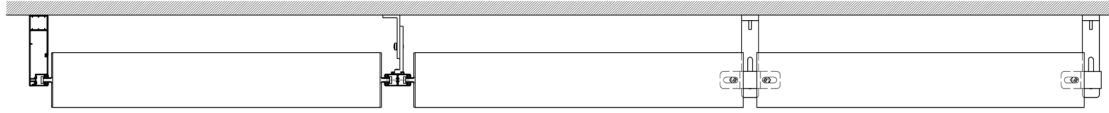
	Name of the component	Catalogue code	Colour
1.	Reinforcement fixing set	ZM/WZLP/40x40x2	
2.	Mounting profile	U/WZLP/40x40x2/x	<i>colour table x</i>
3.	Cap	Z/WZLP/40x40x2/x	02 - white 20B - black 23B - anthracite grey
4.	Cable tensioner	NLS	



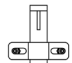
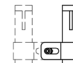
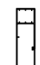



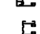





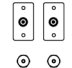


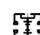




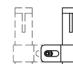


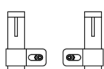


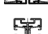
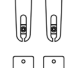

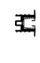
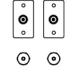


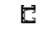

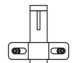
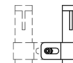




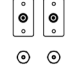




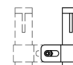


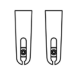

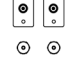


x	Colour	x	Colour	x	Colour	x	Colour
00	mill finish	21	black grey	34	quartz grey	80B	graphite grey
01	silver	22B	ultra white	37B	grey aluminium	82	alpine white
03B	grey	23B	anthracite grey	45	beige satin	IK	different colour
09	brown	29	light beige	73B	mouse grey		
16B	ivory	31B	light grey	74B	copper bronze		
20B	black	33	basalt grey	75B	metallic grey		

7.13. Blinds joining

 A common drive for up to 3 blinds can be used.

The division of Venetian blinds



 PBX/T1/84	 PBX/T1/84 + PBX/T1/84	 UDL/4	 UDL/1
 PBX/T1/104	 PBX/T1/104 + PBX/T1/104	 UDL/1 + UDL/1	 UDL/2
 PP SZF/2	 PPD SZF/1	 UDL/2 + UDL/2	 UDL/3
 PPDO SZF/1	 PPDO-P SZF/1	 UDL/3 + UDL/3	 UDL/5
 PPD SZF/2	 PPD-P SZF/2	 UDL/5 + UDL/5	
 PBX/T2/85	 PBX/T2/85 + PBX/T2/85	 UDL/4	 UDL/1
 PBX/T2/105	 PBX/T2/105 + PBX/T2/105	 UDL/1 + UDL/1	 UDL/2
 PPD SZF/WUF/2	 PPD-P SZF/WUF/2	 UDL/2 + UDL/2	 UDL/3
 K/PU/P/T2 SZF + PU/P/T2 SZF + WUF		 UDL/3 + UDL/3	 UDL/5
		 UDL/5 + UDL/5	
 PP SZF/WUF_S/2	 PPD SZF/WUF_S/1 + PP SZF/WUF_S/2 + PP SZF/WUF_S/2	 UDL/4	 UDL/1
		 UDL/1 + UDL/1	 UDL/2
		 UDL/2 + UDL/2	 UDL/3
		 UDL/3 + UDL/3	 UDL/5
		 UDL/5 + UDL/5	
 K/PU/P/T1 SZF + PU/P/T1 SZF		 UDL/4	 UDL/1
		 UDL/1 + UDL/1	 UDL/2
		 UDL/2 + UDL/2	 UDL/3
		 UDL/3 + UDL/3	 UDL/5
		 UDL/5 + UDL/5	

**CATALOGUE - TECHNICAL GUIDE FOR EXTERNAL
VENETIAN BLINDS (FACADE) SZF SkyFLOW SYSTEM**

DETAIL COLOURS

DETAIL COLOURS

Colour availability for individual elements																					
Colour		Package		Guide channel	Wire	Guide channel handles		Wire handles			Wire reinforcement		Textiles		Plastic elements				Safety plate	Self-supporting box	Box BOX
Colour code	RAL equivalent *	Slat	Bottom rail			UP SZF/1 UP SZF/2 UP SZF/3 UP SZF/4 UP SZF/5 TYP 1 TYP 2 TYP 3 TYP 4	UP SZF/N/1 UP SZF/N/2	UDL/1 UDL/2 UDL/4	UDL/3	UDL/5	Mounting profile	Cap	Strap	Ladder braid	Guide channels insert		Guide rail masking seal	End slat blind			
															WUF	WUF_S					
01	9006	x	x	x	-	x	-	x	-	-	x	-	-	-	-	-	-	x	x	x	
03B	7038	x	x	x	-	x	-	x	-	-	x	-	-	-	-	-	-	x	x	x	
09	-	x	x	x	-	x	-	x	-	-	x	-	-	-	-	-	-	x	x	x	
16B	1015	x	x	x	-	x	-	x	-	-	x	-	-	-	-	-	-	x	x	x	
20B	9005	x	x	x	-	x	-	x	-	-	x	x	-	-	-	-	-	x	x	x	
21	7021	x	x	x	-	x	-	x	-	-	x	-	-	-	-	-	-	x	x	x	
22B	9016	x	x	x	-	x	-	x	-	-	x	-	-	-	-	-	-	x	x	x	
23B	7016	x	x	x	-	x	-	x	-	-	x	x	-	-	-	-	-	x	x	x	
29	1013	x	x	x	-	x	-	x	-	-	x	x	-	-	-	-	-	x	x	x	
31B	7035	x	x	x	-	x	-	x	-	-	x	-	-	-	-	-	-	x	x	x	
33	7012	x	x	x	-	x	-	x	-	-	x	-	-	-	-	-	-	x	x	x	
34	7039	x	x	x	-	x	-	x	-	-	x	-	-	-	-	-	-	x	x	x	
37B	9007	x	x	x	-	x	-	x	-	-	x	-	-	-	-	-	-	x	x	x	
45	VSR 240	x	x	x	-	x	-	x	-	-	x	-	-	-	-	-	-	x	x	x	
73B	7048	x	x	x	-	x	-	x	-	-	x	-	-	-	-	-	-	x	x	x	
74B	VSR 780	x	x	x	-	x	-	x	-	-	x	-	-	-	-	-	-	x	x	x	
75B	DB 703	x	x	x	-	x	-	x	-	-	x	-	-	-	-	-	-	x	x	x	
80B	7024	x	x	x	-	x	-	x	-	-	x	-	-	-	-	-	-	x	x	x	
82	9010	x	x	x	-	x	-	x	-	-	x	-	-	-	-	-	-	x	x	x	
00	-	-	x	x	-	x	-	x	-	-	x	-	-	-	-	-	-	x	x	x	
AND	-	-	-	-	-	-	x	-	-	-	x	-	-	-	-	-	-	-	-	-	
IK	-	-	x	x	-	x	-	-	-	-	x	-	-	-	-	-	-	x	x	x	
02	-	-	-	-	-	-	-	-	-	-	-	x	-	-	-	-	-	-	-	-	
03	-	-	-	-	x	-	-	-	-	-	-	-	x	x	-	x	x	-	-	-	
20	-	-	-	-	x	-	-	-	-	-	-	-	x	x	x	x	x	-	-	-	

* It means the colours most similar to the RAL Classic, VSR, DB colours and does not apply to products made of PVC.

**CATALOGUE - TECHNICAL GUIDE FOR EXTERNAL
VENETIAN BLINDS (FACADE) SZF SKYFLOW SYSTEM**

DRIVE

DRIVE

1. MOTOR

Characteristics of the motor

	Catalogue code	Torque [Nm]						Length of motor [mm]	Description					Manufacturer
		4	6	9	10	18	20		mechanical limit switches	electric limit switches	radio receiver	icing detection ¹⁾	SMI digital interface ³⁾	
1.	J406_6/24_io_Protect ⁴⁾	x						266		x	x	x		SOMFY
2.	J410_10/24_io_Protect ⁴⁾				x			281		x	x	x		SOMFY
3.	J418_18/24_io_Protect					x		301		x	x	x		SOMFY
4.	J4S06_6/24_io_Protect	x						296		x	x	x		SOMFY
5.	J4S10_10/24_io_Protect				x			311		x	x	x		SOMFY
6.	J406_6/24_WT_Protect	x						266		x		x		SOMFY
7.	J410_10/24_WT_Protect				x			281		x		x		SOMFY
8.	J418_18/24_WT_Protect					x		301		x		x		SOMFY
9.	J406_6/24_WT	x						266		x				SOMFY
10.	J410_10/24_WT				x			281		x				SOMFY
11.	J418_18/24_WT					x		301		x				SOMFY
12.	JA_04_SOFT_DC	x						260	x					ELERO
13.	JA_06_COMFORT		x					267		x		x		ELERO
14.	JA_09_COMFORT			x				281		x		x		ELERO
15.	JA_06_COMFORT+SMI ²⁾	x						267		x		x	x	ELERO
16.	JA_09_COMFORT+SMI ²⁾			x				281		x		x	x	ELERO
17.	JA_06_COMFORT_868Hz	x						267		x	x	x		ELERO
18.	JA_09_COMFORT_868Hz			x				281		x	x	x		ELERO
19.	JA_06_SOFT		x					252	x					ELERO
20.	JA_09_SOFT			x				283	x					ELERO
21.	JA_10_DK				x			281	x					ELERO
22.	JA_20_DK						x	308	x					ELERO

¹⁾ If the bottom rail is detected as being frozen or blocked during lifting, the drive stops automatically and reduces the tension of the straps.

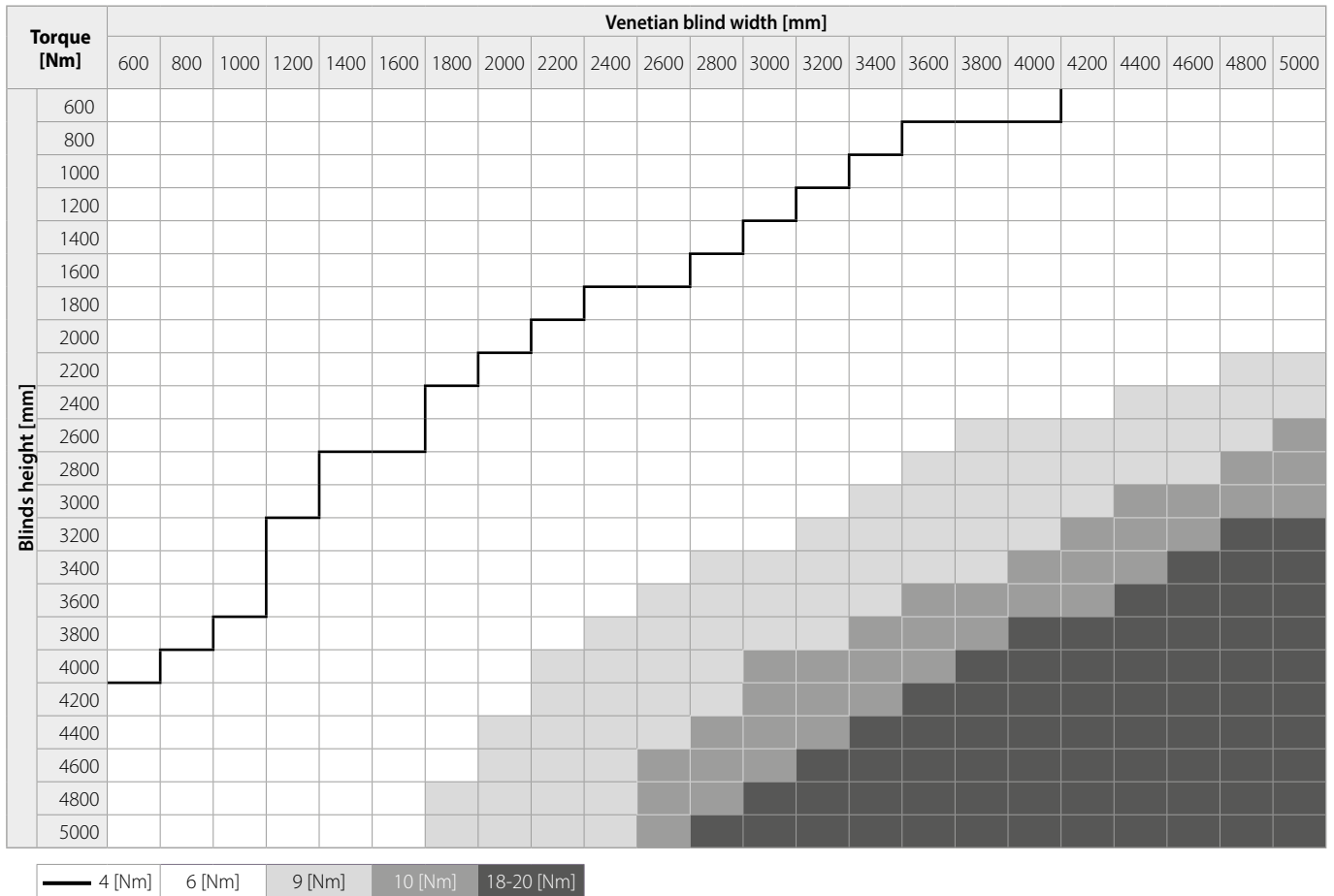
²⁾ Requires the use of KME/SMI mounting cable.

³⁾ SMI digital interface - a standardised, bidirectional interface for precise control of sunshade motors. Works with BUS systems (e.g. KNX, Bacnet, LON).

⁴⁾ Available while stocks last.

**CATALOGUE - TECHNICAL GUIDE FOR EXTERNAL
VENETIAN BLINDS (FACADE) SZF SkyFLOW SYSTEM**

DRIVE



**CATALOGUE - TECHNICAL GUIDE FOR EXTERNAL
VENETIAN BLINDS (FACADE) SZF SKYFLOW SYSTEM**

DRIVE

Technical specifications of the drive

	Catalogue code	Number of turns [min. ⁻¹]	Working time [min.]	Rated current [A]	Power consumption [W]	Supply voltage		Frequency [Hz]	Operating temperature [C°]	Protection grade	The length of cable with plug [m]	Cable cross section	Manufacturer
						230 [V AC]	12 [V DC]						
1.	J406_6/24_io_Protect ⁴⁾	24	4	0,4	95	230	-	50	-20 ÷ +70	IP 54	0,5	3x0,75	SOMFY
2.	J410_10/24_io_Protect ⁴⁾	24	4	0,5	110	230	-	50	-20 ÷ +70	IP 54	0,5	3x0,75	SOMFY
3.	J418_18/24_io_Protect	24	4	0,7	155	230	-	50	-20 ÷ +70	IP 54	0,5	3x0,75	SOMFY
4.	J4S06_6/24_io_Protect	24	4	0,5	90	230	-	50	-20 ÷ +70	IP 54	0,5	3x0,75	SOMFY
5.	J4S10_10/24_io_Protect	24	4	0,7	125	230	-	50	-20 ÷ +70	IP 54	0,5	3x0,75	SOMFY
6.	J406_6/24_WT_Protect	24	4	0,4	95	230	-	50	-20 ÷ +70	IP 54	0,5	4x0,75	SOMFY
7.	J410_10/24_WT_Protect	24	4	0,5	110	230	-	50	-20 ÷ +70	IP 54	0,5	4x0,75	SOMFY
8.	J418_18/24_WT_Protect	24	4	0,7	155	230	-	50	-20 ÷ +70	IP 54	0,5	4x0,75	SOMFY
9.	J406_6/24_WT	24	4	0,4	95	230	-	50	-20 ÷ +70	IP 54	0,5	4x0,75	SOMFY
10.	J410_10/24_WT	24	4	0,5	110	230	-	50	-20 ÷ +70	IP 54	0,5	4x0,75	SOMFY
11.	J418_18/24_WT	24	4	0,7	155	230	-	50	-20 ÷ +70	IP 54	0,5	4x0,75	SOMFY
12.	JA_04_SOFT_DC	33	10	4	48	-	12	-	-20 ÷ +60	IP 44	0,5	4x0,75	ELERO
13.	JA_06_COMFORT	26	5	0,5	115	230	-	50	-20 ÷ +60	IP 54	0,5	4x0,75	ELERO
14.	JA_09_COMFORT	26	4	0,7	156	230	-	50	-20 ÷ +60	IP 54	0,5	4x0,75	ELERO
15.	JA_06_COMFORT+SMI ¹⁾	26	5	0,5	115	230	-	50	-20 ÷ +60	IP 54	0,5	5x0,75	ELERO
16.	JA_09_COMFORT+SMI ¹⁾	26	4	0,68	156	230	-	50	-20 ÷ +60	IP 54	0,5	5x0,75	ELERO
17.	JA_06_COMFORT_868Hz	26	5	0,5	115	230	-	50	-20 ÷ +60	IP 54	0,5	3x0,75	ELERO
18.	JA_09_COMFORT_868Hz	26	4	0,7	156	230	-	50	-20 ÷ +60	IP 54	0,5	3x0,75	ELERO
19.	JA_06_SOFT	26	5	0,5	115	230	-	50	-20 ÷ +60	IP 44	0,5	4x0,75	ELERO
20.	JA_09_SOFT	26	4	0,7	156	230	-	50	-20 ÷ +60	IP 44	0,5	4x0,75	ELERO
21.	JA_10_DK	26	5	0,6	125	230	-	50	-20 ÷ +60	IP 44	0,5	4x0,75	ELERO
22.	JA_20_DK	26	4	1	230	230	-	50	-20 ÷ +60	IP 44	0,5	4x0,75	ELERO

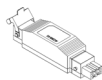

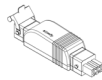
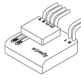



¹⁾ Requires the use of KME/SMI mounting cable.

²⁾ Available while stocks last.

**CATALOGUE - TECHNICAL GUIDE FOR EXTERNAL
VENETIAN BLINDS (FACADE) SZF SkyFLOW SYSTEM**

DRIVE

2. RADIO CONTROL UNIT

	Catalogue code	Graphics	Description	Manufacturer
1.	AC268-01		Compact radio receiver in 433Hz Aluprof technology in the form of an adapter, with Hirschmann plug (with the STAS3 plug of the standard 4-core 230 V venetian blind motor and the STAK3 power cable) for radio control of the venetian blind motor with mechanical limit switches.	ALUPROF
2.	AC212		Control unit with built-in Aluprof 433 radio, flush-mounted, intended for connecting one motor. With inputs for connecting a button. It is used to control the drive, e.g. in Venetian blind mode. Movement is performed by pressing a wall switch or wireless transmitter. It is compatible with a box Ø 60 mm and 50 mm deep.	ALUPROF
3.	EVB io		Compact radio receiver/transmitter in io technology in the form of an adapter, with Hirschmann plugs (STAS3 plug of a standard 4-core 230 V shutter drive and STAK3 power cable), for radio control of the Venetian blind drive with mechanical limit switches or the J4WT drive.	SOMFY
4.	Izymo shutter io		Control unit with built-in io radio, under plaster-mounted, intended for connecting one motor. With inputs for connecting a button. It is used to control the drive, a.o. in venetian blind mode. The movement is performed for as long as the button is pressed. In combination with the io transmitter, the control takes place in the up and down directions with support. Works with a box Ø 60 mm and 50 mm deep.	SOMFY
5.	Combio-868 JA Pulse		Compact radio receiver in 868Hz technology in the form of an adapter, with Hirschmann plug (with the STAS3 plug of the standard 4-core 230 V venetian blind motor and the STAK3 power cable) for radio control of the venetian blind motor.	ELERO
6.	Revio-868		Control unit with built-in radio, under plaster-mounted, designed for one motor or other device with a supply voltage of 230 V AC. Equipped with a potential-free input with possibility of connecting a bell-type button. It is used to control the drive; the movement is initiated by pressing the button for a longer time (min. 1.8 sec.). The movement will stop when one of the buttons is pressed briefly. Pressing the key <300 milliseconds STOP. Memorises up to 16 transmitters. Will fit the housing diameter 58 mm and 60 mm deep.	ELERO
7.	Roll-Control*		The control unit is used to control the drives of roller shutters, Venetian blinds, garage doors and their precise positioning. The product is also equipped with an energy consumption monitoring function. The drives can be controlled manually, but can also be included in automatic scenes via the Z-Wave network in conjunction with YubiiHome. It is also possible to control the roller shutters locally using a conventional wall switch to which the Roll-Control is directly connected.	ELERO

* Available while stocks last.

3. WEATHER SENSORS

	Catalogue code	Sensor response			Power supply		Manufacturer
		to the sun	on the wind	to the rain			
1.	AC302-01*	x	x		3,7V	DC	ALUPROF
2.	AC302-02	x	x		230V	AC	ALUPROF
3.	Sunis WireFree II io	x			2 x 1,5V AA	DC	SOMFY
4.	Eolis io		x		230V	AC	SOMFY
5.	Eolis WireFree io		x		2 x 1,5V AA	DC	SOMFY
6.	Ondeis			x	230V	AC	SOMFY
7.	Soliris Sensor WT	x	x		230V	AC	SOMFY
8.	Aero-868 AC	x	x		230V	AC	ELERO
9.	Ventero*		x		230V	AC	ELERO

* Available while stocks last.

DC - direct current

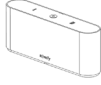
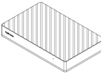
AC - alternating current

CATALOGUE - TECHNICAL GUIDE FOR EXTERNAL VENETIAN BLINDS (FACADE) SZF SKYFLOW SYSTEM

DRIVE

4. CONTROL

4.1. Control unit

	Catalogue code	Graphics	Description	Manufacturer
1.	TaHomaSwitch		Used with drives and remote controls in io and RTS technology. Maximum range indoors up to 20 m. The control unit allows you to control blinds and all devices from other manufacturers operating in io technology, via mobile devices such as a tablet or smartphone and via a web browser. An internet connection is required for correct functioning.	SOMFY
2.	YubiiHome		Used with drives and control units in Elero-868 MHz technology and Z-Wave accessories. Maximum range indoors up to 20 m. The control unit allows to control blinds and devices from other manufacturers in the Elero-868 MHz and Z-Wave Plus technology, via mobile devices such as tablets or smartphones and via a web browser. For full functionality internet connection is required.	ELERO

4.2. Transmitters and switches

	Catalogue code	Graphics	Type	Description	Colour	Manufacturer
1.	AC151-06		Wall-mounted transmitter	Six-channel transmitter with LED display, activates 6 devices or automation groups. Compatible with Aluprof 433 type receivers. It has a built-in astronomical clock. Range up to 200 m in open areas, up to 40 m indoors. Magnetic wall mount included.	-	ALUPROF
2.	AC152-06/x		Portable transmitter	Six-channel transmitter, activates 6 devices. Compatible with Aluprof 433 type receivers. It has a roller for adjusting the angle of the slats. Range up to 200 m in open areas, up to 40 m indoors.	20 - black	ALUPROF
3.	Amy1_A/M_Modes_io		Wall-mounted transmitter	Single channel transmitter, activates 1 automatic control unit (group). Range up to 200 m in an open area, up to 40 m indoors. Compatible with io receivers or Somfy Tahoma Switch. In set with frame.	02 - white	SOMFY
4.	Amy2_Modes_io		Wall-mounted transmitter	Two-channel transmitter, activates 2 automatic control units (groups). Range up to 200 m in open terrain, up to 40 m indoors. Compatible with io receivers or Somfy Tahoma Switch. Included with frame.	02 - white	SOMFY
5.	Amy4_Modes_io		Wall-mounted transmitter	Four-channel transmitter, activates 4 automatic control units (groups). Range up to 200 m in an open area, up to 40 m indoors. Compatible with io receivers or Somfy Tahoma Switch. In set with frame.	02 - white	SOMFY
6.	Smoove 1 io/x*		Wall-mounted transmitter	One-channel transmitter activates 1 automatic device (group). Compatible with frames in the DIN 50 x 50 standard. Range up to 200 m in an open area, up to 40 m indoors. Compatible with io type receivers or Somfy/Tahoma Switch. Frame included in the set.	BlackShine - black gloss Origin - white PureShine - white gloss SilverShine - grey gloss	SOMFY
7.	Ysia_Patio_io		Portable transmitter	Sixteen-channel transmitter, activates 16 automatic control units (groups). Range up to 200 m in open terrain, up to 40 m indoors. Compatible with io receivers.	Pure - grey + white Anthracite - antracyt	SOMFY
8.	Situo 1 Var io/x		Portable transmitter	One-channel transmitter activates 1 automatic device (group). Range up to 200 m in open terrain, up to 40 m indoors. Compatible with io type receivers or Somfy Tahoma Switch.	Pure II - grey + white Iron II - grey	SOMFY








**CATALOGUE - TECHNICAL GUIDE FOR EXTERNAL
VENETIAN BLINDS (FACADE) SZF SkyFLOW SYSTEM**

DRIVE

9.	Situo 5 Var A/M io/x		Portable transmitter	Five-channel transmitter, activates 5 automatic devices (groups). Range up to 200 m in open terrain, up to 40 m indoors. Compatible with io type receivers or Somfy/Tahoma Switch.	Pure II - grey + white Iron II - grey	SOMFY
10.	Nina io		Portable transmitter	Touch panel transmitter with multi-channel for scenario management, activates 60 devices or 30 automatic groups. Range up to 200 m in an open area, up to 40 m indoors. Compatible with io receivers or Somfy/Tahoma Switch.	-	SOMFY
11.	Nina io Timer		Portable transmitter - programmable timer	Touch panel transmitter with time programming function, multi-channel for scenario management, activates 50 devices or 30 automatic groups. Range up to 200 m in an open area, up to 40 m indoors. Compatible with io receivers or Somfy/Tahoma Switch.	-	SOMFY
12.	Soliris Smoove UNO		Time switch	Wired switch for time control of 1 drive, four commands per day, automatic summer/winter time switching, sunrise/sunset in the controller. Compatible with WT wired weather sensors and the io sun sensor. It works in manual, automatic and presence simulation modes.	-	SOMFY
13.	DOMiW1/x		Wall-mounted transmitter	One-channel transmitter activates 1 device, compatible with YubiiHome as a programmable transmitter. Range up to 200 m in open areas, up to 40 m indoors. Wall bracket included.	02 - white	NICE
14.	DOMiW6/x		Wall-mounted transmitter	Six-channel transmitter, activates 6 devices, compatible with YubiiHome as a programmable transmitter. Range up to 200 m in open areas, up to 40 m indoors. Wall bracket included.	02 - white	NICE
15.	Invio-868		Under-plaster transmitter	One-channel transmitter activates 1 automatic device, operates at 868 MHz. Range up to 200 m in open terrain, up to 40 m indoors.	-	ELERO
16.	MonoSon_W-868/x		Wall-mounted transmitter	One-channel transmitter activates 1 device, operates at a 868 MHz frequency. Range up to 200 m in an open area, up to 40 m indoors. Wall mount included in the set.	02 - white	ELERO
17.	VarioSon_W-868/x		Wall-mounted transmitter	Six-channel transmitter activates 6 devices, operates at a frequency of 868 MHz. Range up to 200 m in open terrain, up to 40 m indoors. Wall mount included in the set.	02 - white	ELERO
18.	LumeroSon-868/x		Portable transmitter	One-channel transmitter activates 1 device, operates at a 868 MHz frequency. Range up to 200 m in an open area, up to 40 m indoors. Wall mount included in the set.	02 - white	ELERO
19.	LumeroSon-868_Slide/x		Portable transmitter	One-channel transmitter activates 1 automatic device, operates at 868 MHz. It has a slider to adjust the angle of the slats. Range up to 200 m in open terrain, up to 40 m indoors. Wall mount included.	02 - white	ELERO
20.	VarioSon-868_Slide/x		Portable transmitter	Six-channel transmitter activates 6 devices, operates at a frequency of 868 MHz. With a slider to adjust the angle of the slats. Range up to 200 m in open terrain, up to 40 m indoors. Wall mount included in the set.	02 - white	ELERO
21.	UniTec-868/x*		Wall-mounted transmitter	One-channel transmitter activates 1 automatic device (group), operates at 868 MHz in manual and automatic mode. Range up to 200 m in open terrain, up to 40 m indoors. Magnetic wall mount included. Comes with a frame.	02 - white	ELERO

**CATALOGUE - TECHNICAL GUIDE FOR EXTERNAL
VENETIAN BLINDS (FACADE) SZF SKYFLOW SYSTEM**

DRIVE



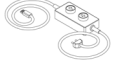



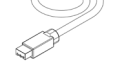
22.	MonoCom Slide/x*		Portable transmitter	One-channel transmitter activates 1 automatic device, operates at 868 MHz. It has a slider to adjust the angle of the slats. Range up to 200 m in open terrain, up to 40 m indoors. Wall mount included.	02 - white	ELERO
23.	VarioCom Slide/x*		Portable transmitter	Six-channel transmitter activates 6 devices and 1, works at 868 MHz in manual and automatic mode. It has a slider to adjust the angle of the slats. Range up to 200 m in an open area, up to 40 m indoors. Wall mount included.	02 - white	ELERO
24.	MonoTel2/x*		Portable transmitter	One-channel transmitter activates 1 automatic device (group), operates at 868 MHz in manual and automatic mode. Range up to 200 m in open terrain, up to 40 m indoors. Magnetic wall mount included.	01 - silver 02 - white 03 - grey	ELERO
25.	LumeroTel2/x*		Portable transmitter	One-channel transmitter activates 1 automatic device (group), operates at 868 MHz in manual and automatic mode. Range up to 200 m in open terrain, up to 40 m indoors. Magnetic wall mount included.	01 - silver 02 - white 03 - grey	ELERO
26.	VarioTel2/x*		Portable transmitter	Five-channel transmitter activates 5 devices and 1 automatic group, works at 868MHz in manual and automatic mode. Range up to 200 m in an open area, up to 40 m indoors. Magnetic wall mount included.	01 - silver 02 - white 03 - grey	ELERO
27.	MultiTel2/x		Portable transmitter	Fifteen-channel transmitter with LED display activates 15 devices and 1 automatic group, operates at 868 MHz in manual and automatic mode. Range up to 200 m in open terrain, up to 40 m indoors. Magnetic wall mount included.	01 - silver 02 - white 03 - grey	ELERO
28.	TempoTel2/x		Portable transmitter - programmable timer	Ten-channel transmitter with LED display activates 10 devices and 1 automatic group, works at 868MHz in manual and automatic mode. It has a built-in astronomical clock. Range up to 200 m in an open area, up to 40 m indoors. Magnetic wall mount included.	01 - silver 02 - white 03 - grey	ELERO

* Available while stocks last.

**CATALOGUE - TECHNICAL GUIDE FOR EXTERNAL
VENETIAN BLINDS (FACADE) SZF SkyFLOW SYSTEM**

DRIVE

4.3. Additional accessories

	Catalogue code	Graphics	Type	Description	Manufacturer
1.	Set&Go io*		Tool for installing devices in io technology	The device guides the installer through the steps of installing the io system. It manages the security key, recognises installed devices, helps to select parameters for each drive, quickly pairs drivers and adjusts the installations to the user's expectations. It uses a computer with installed software.	SOMFY
	KMS		Motor setup cable	The cable allows you to set or modify the settings of the motor. This applies to e.g. end positions, saved transmitters, reset. The cable is terminated with a Hirschmann STAK3 plug.	SOMFY
3.	KME/SMI		Motor setup cable	The cable allows you to set or modify motor settings. This includes, among other things: end positions, reset. Cable with a Hirschmann STAK4 plug.	ELERO
4.	KME		Motor setup cable	The cable allows you to set or modify the settings of the motor. This applies to e.g. end positions, saved transmitters, reset. The cable ended with a 4-pin plug.	ELERO
5.	K/STAK/22		2.2 m cable with Hirschmann STAK3 plug	A 2.2 m long extension with a STAK3 plug gives the possibility of extending the motor power supply cable outside the shutter box	ELERO
6.	K/STAK/50		5 m cable with Hirschmann STAK3 plug	A 5 m long extension with a STAK3 plug allows the motor power supply to be routed outside the shutter box	ELERO
7.	K/STAK/100		10 m cable with Hirschmann STAK3 plug	A 10 m long extension with a STAK3 plug gives the possibility of extending the motor power supply cable outside the shutter box	ELERO

* Available while stocks last.

CATALOGUE - TECHNICAL GUIDE FOR EXTERNAL VENETIAN BLINDS (FACADE) SZF SKYFLOW SYSTEM

DRIVE - SOLAR POWER SUPPLY

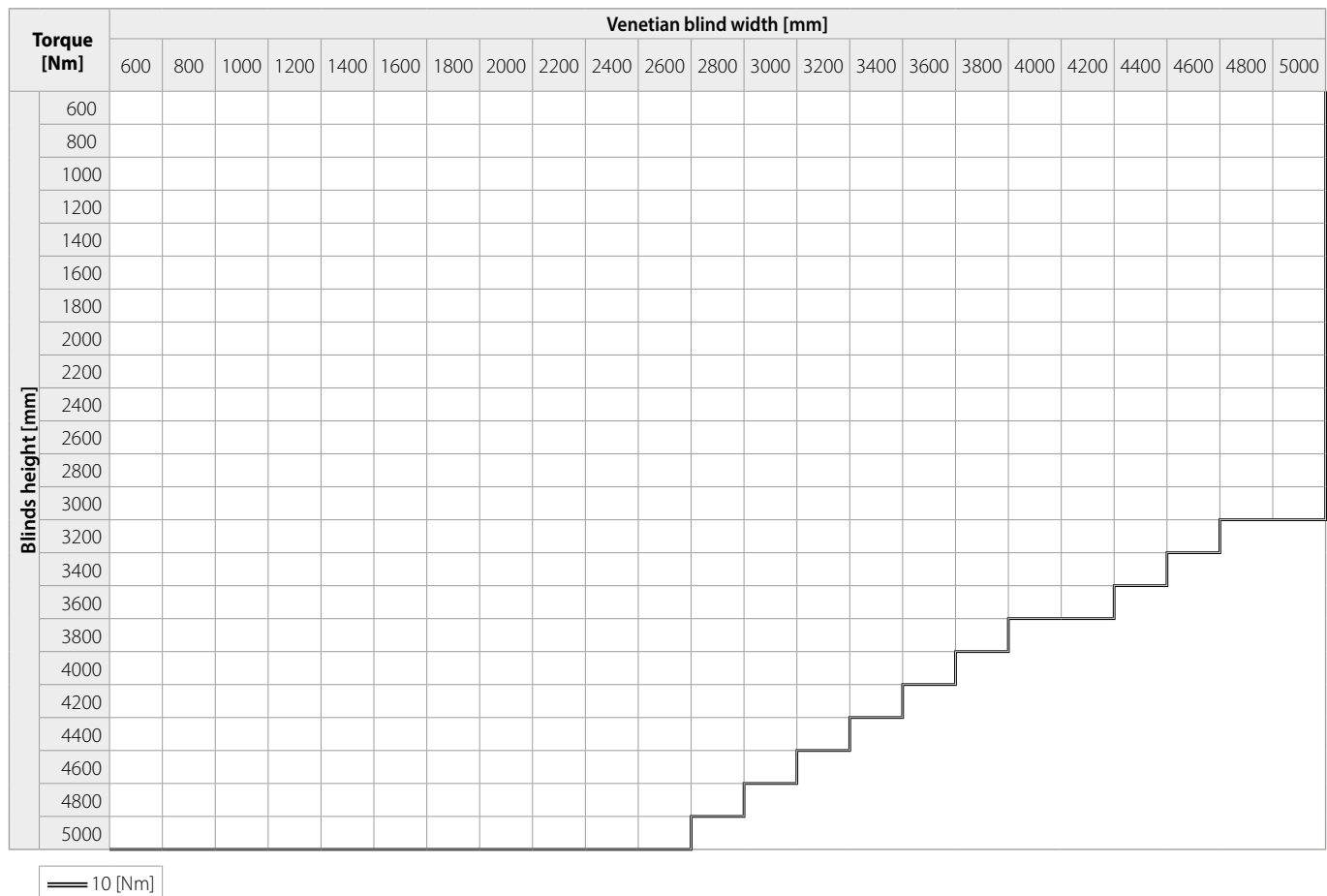
DRIVE - SOLAR POWER SUPPLY

1. MOTOR

Characteristics of the motor

	Catalogue code	Torque [Nm]								Length of motor [mm]	Description				Manufacturer
		4	6	8	9	10	12	18	20		mechanical limit switches	electric limit switches	radio receiver	icing detection ¹⁾	
1.	JA_10_SOFT_DC					x				260	x				ELERO

¹⁾ If the bottom rail is detected as being frozen or blocked during lifting, the drive stops automatically and reduces the tension of the straps.



— 10 [Nm]


Technical specifications of the drive

	Catalogue code	Number of turns [min. ⁻¹]	Working time [min.]	Rated current [A]	Power consumption [W]	Supply voltage			Radio frequency [MHz]	Frequency [Hz]	Operating temperature [C°]	Protection grade	The length of cable with plug [m]	Cable cross section	Manufacturer
						230 [V AC]	120 [V AC]	12 [V DC]							
1.	JA_10_SOFT_DC	26	10	8,5	102	-	-	12	-	-	-20 ÷ +60	IP 44	0,5	4x1,0	ELERO


CATALOGUE - TECHNICAL GUIDE FOR EXTERNAL
VENETIAN BLINDS (FACADE) SZF SkyFLOW SYSTEM

DRIVE - SOLAR POWER SUPPLY

2. BATTERY WITH PANEL

	Catalogue code	Graphics	Description	Manufacturer
1.	Power_Unit_2_JA_DC		Solar panel equipped with a battery. The whole unit is enclosed in an IP44 housing. The set includes brackets for mounting at the required angle.	ELERO

3. RADIO CONTROL UNIT

	Catalogue code	Graphics	Description	Manufacturer
1.	Combio-868 JA DC		Compact radio receiver in 868 MHz technology in the form of an adapter, for wireless control of a facade blind drive equipped with JA_10_Soft_DC and Power_Unit_2_JA_DC.	ELERO

CATALOGUE - TECHNICAL GUIDE FOR EXTERNAL VENETIAN BLINDS (FACADE) SZF SKYFLOW SYSTEM

DRIVE - POWER SUPPLY 120V

DRIVE - POWER SUPPLY 120V

1. MOTOR

Characteristics of the motor

	Catalogue code	Torque [Nm]							Length of motor [mm]	Description				Manufacturer
		4	6	8	9	10	12	18		20	mechanical limit switches	electric limit switches	radio receiver	
1.	JA_08_SOFT			x					286	x				ELERO
2.	JA_12_DK						x		286	x			ELERO	

¹⁾ If the bottom rail is detected as being frozen or blocked during lifting, the drive stops automatically and reduces the tension of the straps.

Torque [Nm]	Venetian blind width [mm]																						
	600	800	1000	1200	1400	1600	1800	2000	2200	2400	2600	2800	3000	3200	3400	3600	3800	4000	4200	4400	4600	4800	5000
600																							
800																							
1000																							
1200																							
1400																							
1600																							
1800																							
2000																							
2200																							
2400																							
2600																							
2800																							
3000																							
3200																							
3400																							
3600																							
3800																							
4000																							
4200																							
4400																							
4600																							
4800																							
5000																							

8 [Nm]

12 [Nm]



Technical specifications of the drive

	Catalogue code	Number of turns [min. ⁻¹]	Working time [min.]	Rated current [A]	Power consumption [W]	Supply voltage			Radio frequency [MHz]	Frequency [Hz]	Operating temperature [C°]	Protection grade	The length of cable with plug [m]	Cable cross section	Manufacturer
						230 [V AC]	120 [V AC]	12 [V DC]							
1.	JA_08_SOFT	30	4	1,3	155	-	120	-	-	60	-20 ÷ +60	IP 44	1,8	4x0,75	ELERO
2.	JA_12_DK	30	4	1,3	155	-	120	-	-	60	-20 ÷ +60	IP 44	1,8	4x0,75	ELERO

CATALOGUE - TECHNICAL GUIDE FOR EXTERNAL VENETIAN BLINDS (FACADE) SZF SkyFLOW SYSTEM

DRIVE - POWER SUPPLY 120V

2. RADIO CONTROL UNIT

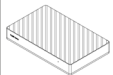
	Catalogue code	Graphics	Description	Manufacturer
1.	Combio-915 JA		Compact radio receiver in 915MHz technology in the form of an adapter, with Hirschmann plugs (with the STAS3 plug of a standard 4-core 120V shutter drive and the STAK3 power cable), for radio control of the Venetian blind.	ELERO
2.	Roller Shutter 3 UL		The control unit is used to control the drives of roller shutters, Venetian blinds, garage doors along with their precise positioning. The product is also equipped with the function of monitoring energy consumption. The drives can be controlled manually, but also included in automatic scenes via the Z-Wave network in connection with YubiiHome-915. It is also possible to control the roller shutters locally using a conventional wall switch to which the Roller Shutter 3 UL is directly connected.	ELERO

3. WEATHER SENSORS



	Catalogue code	Sensor response			Manufacturer
		to the sun	on the wind	to the rain	
1.	Aero-915 PLUS	x	x		ELERO

4. CONTROL:

4.1. Control unit

	Catalogue code	Graphics	Description	Manufacturer
1.	YubiiHome-915		Used with drives and control units in Nice 908 MHz technology and Z-Wave accessories. Maximum range indoors up to 20 m. The control unit allows to control blinds and devices from other manufacturers in the Nice 908 MHz and Z-Wave Plus technology, via mobile devices such as tablets or smartphones and via a web browser. For full functionality internet connection is required.	ELERO

4.2. Transmitters and switches

	Catalogue code	Graphics	Type	Description	Colour	Manufacturer
1.	LumeroTel2/915/x		Portable transmitter	One-channel transmitter activates 1 automatic device (group), operates at 915 MHz in manual and automatic mode. Range up to 200 m in open terrain, up to 40 m indoors. Magnetic wall mount included.	01 - silver 02 - white 03 - grey	ELERO
2.	VarioTel2-915/x		Portable transmitter	Five-channel transmitter activates 5 devices and 1 automatic group, operates at 915 MHz in manual and automatic mode. Range up to 200 m in open terrain, up to 40 m indoors. Magnetic wall mount included.	01 - silver 02 - white 03 - grey	ELERO

CATALOGUE - TECHNICAL GUIDE FOR EXTERNAL VENETIAN BLINDS (FACADE) SZF SKYFLOW SYSTEM

MOTOR WITH EMERGENCY OPENING

MOTOR WITH EMERGENCY OPENING

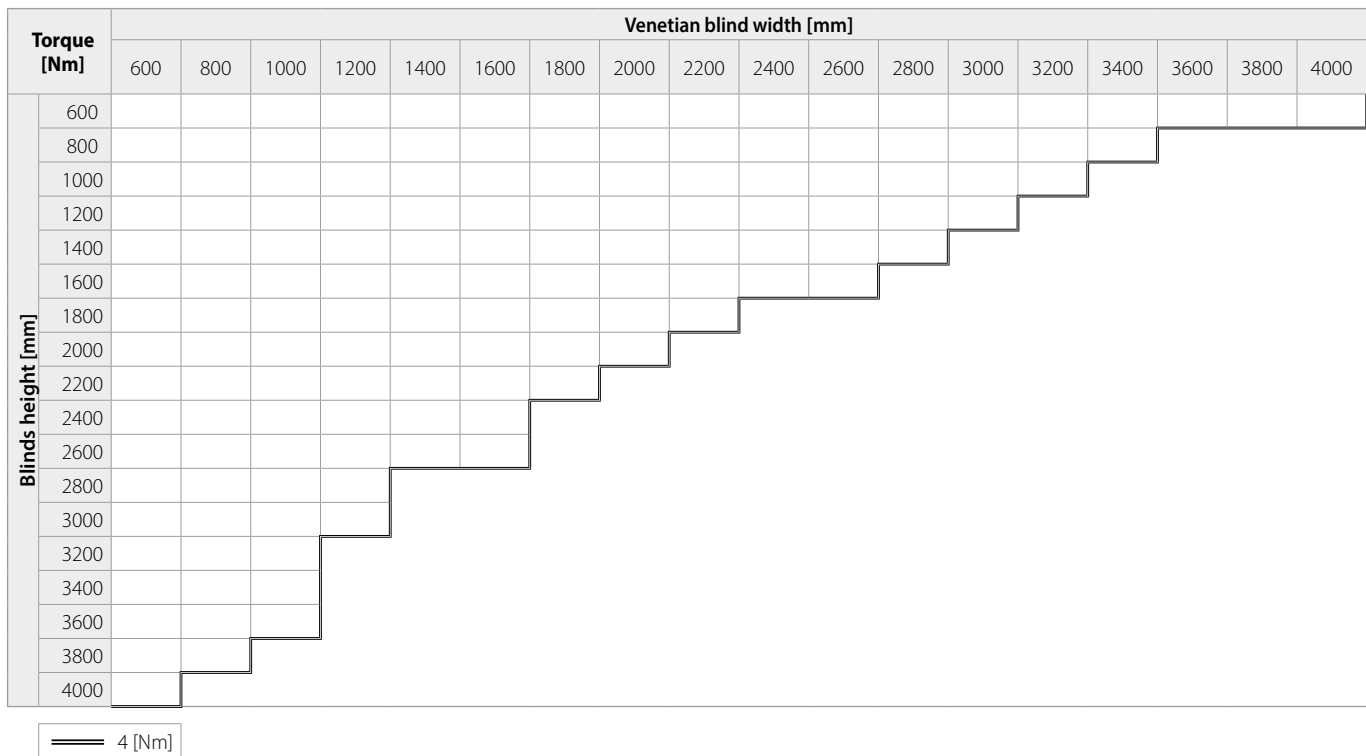
1. MOTOR - EXITSAFE

	Catalogue code	Description	Manufacturer
1.	JA_04_Soft_DC	The motor with battery allows to lift the package of venetian blinds in an emergency, in case of power failure. The blind is controlled by a wall switch.	ELERO

Characteristics of the motor

	Catalogue code	Torque [Nm]						Length of motor [mm]	Description					Manufacturer	
		4	6	9	10	18	20		mechanical limit switches	electric limit switches	radio receiver	icing detection ¹⁾	emergency opening		
1.	JA_04_Soft_DC	x						260	x					x	ELERO

¹⁾ If the bottom rail is detected as being frozen or blocked during lifting, the drive stops automatically and reduces the tension of the straps.



Technical specifications of the drive

	Catalogue code	Number of turns [min. ⁻¹]	Working time [min.]	Rated current [A]	Power consumption [W]	Supply voltage		Frequency [Hz]	Operating temperature [C°]	Protection grade	The length of cable with plug [m]	Cable cross section	Manufacturer
						230 [V AC]	12 [V DC]						
1.	JA_04_Soft_DC	33	10	4	48	-	12	-	-20 ÷ +60	IP 44	0,5	4x0,75	ELERO

CATALOGUE - TECHNICAL GUIDE FOR EXTERNAL VENETIAN BLINDS (FACADE) SZF SkyFLOW SYSTEM

MOTOR WITH EMERGENCY OPENING

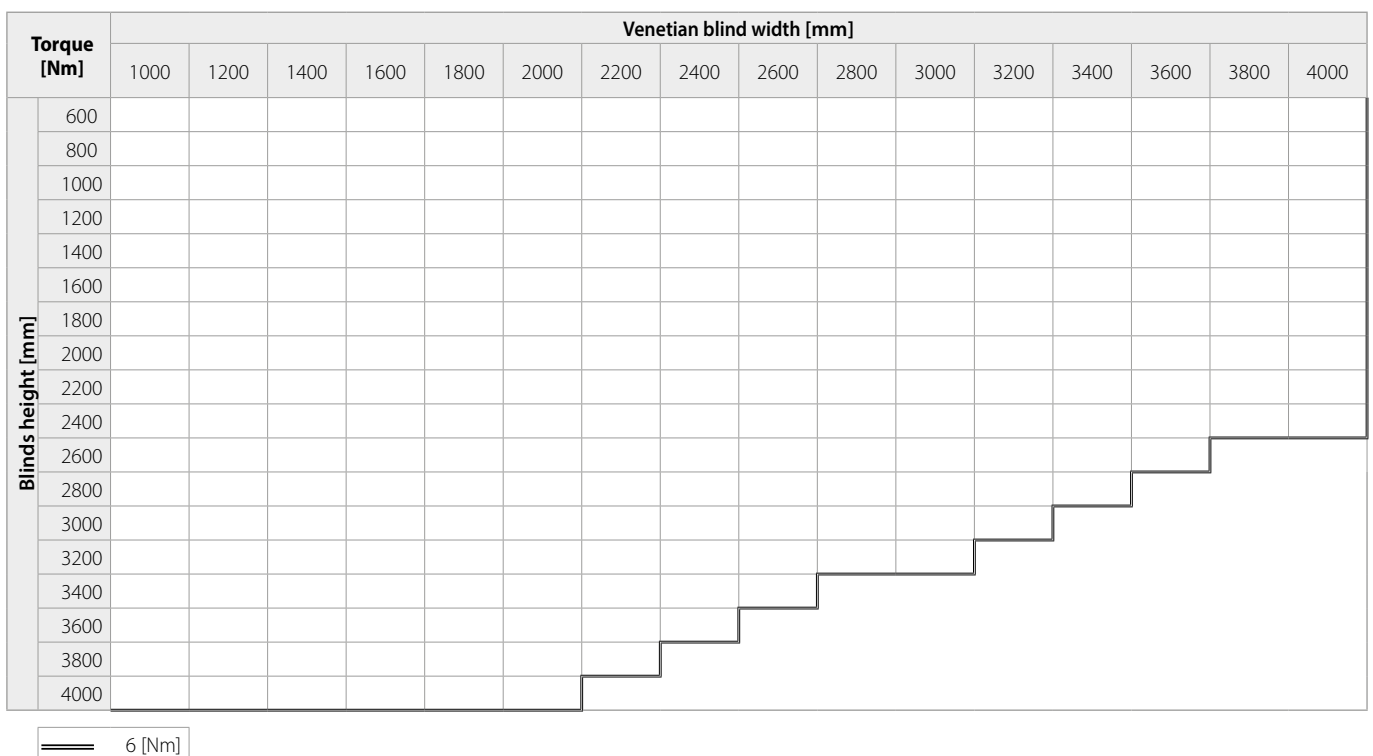
2. MOTOR - JA_NHK

	Catalogue code	Description	Manufacturer
1.	JA_09_NHK	The motor is equipped with a clutch which, in combination with a gear and a crank, allows the blind package to be raised in an emergency, such as a power failure. The blind is controlled by a wall switch. The blind can only be mounted on the left or right side of the blind.	ELERO

Characteristics of the motor

	Catalogue code	Torque [Nm]						Length of motor [mm]	Description					Manufacturer	
		4	6	9	10	18	20		mechanical limit switches	electric limit switches	radio receiver	icing detection ¹⁾	emergency opening		
1.	JA_09_NHK		x					340	x					x	ELERO

¹⁾ If the bottom rail is detected as being frozen or blocked during lifting, the drive stops automatically and reduces the tension of the straps.



Technical specifications of the drive

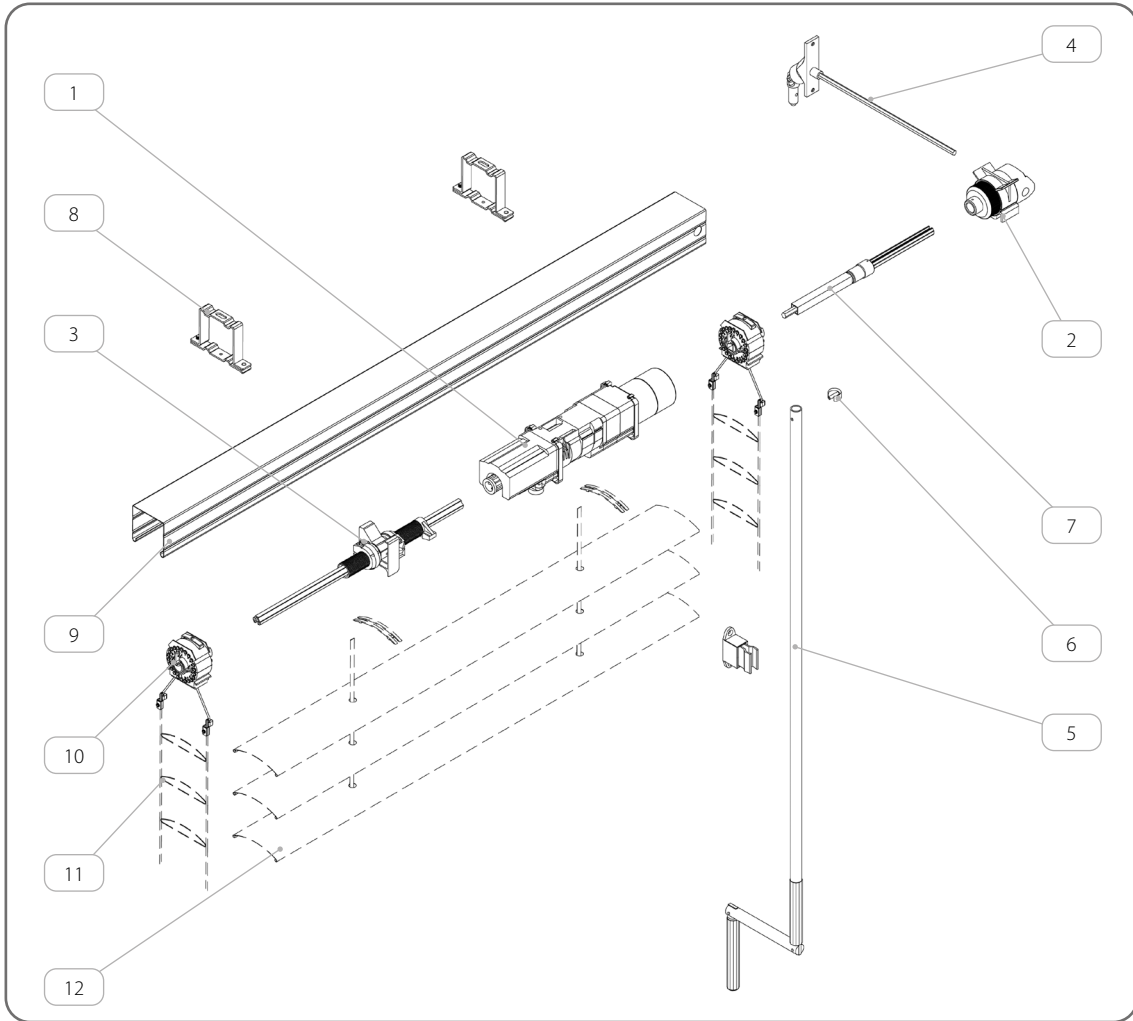
	Catalogue code	Number of turns [min. ⁻¹]	Working time [min.]	Rated current [A]	Power consumption [W]	Supply voltage		Frequency [Hz]	Operating temperature [C°]	Protection grade	The length of cable with plug [m]	Cable cross section	Manufacturer
						230 [V AC]	12 [V DC]						
1.	JA_09_NHK	26	5	0,55	125	230	-	50	-20 ÷ +60	IP 44	0,5	4x0,75	ELERO



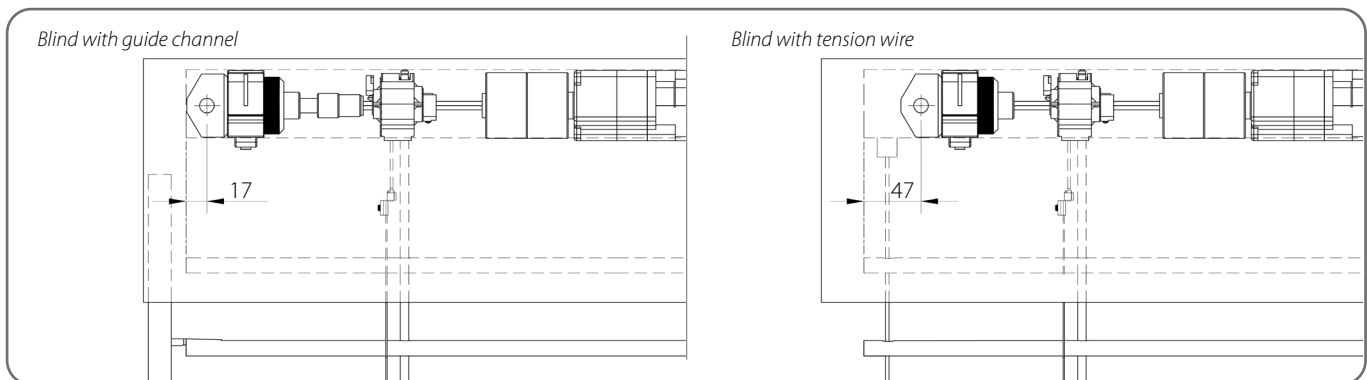
Installation of the Cardan joint and the hole in the box must be done by the installer.

**CATALOGUE - TECHNICAL GUIDE FOR EXTERNAL
VENETIAN BLINDS (FACADE) SZF SkyFlow SYSTEM**

MOTOR WITH EMERGENCY OPENING



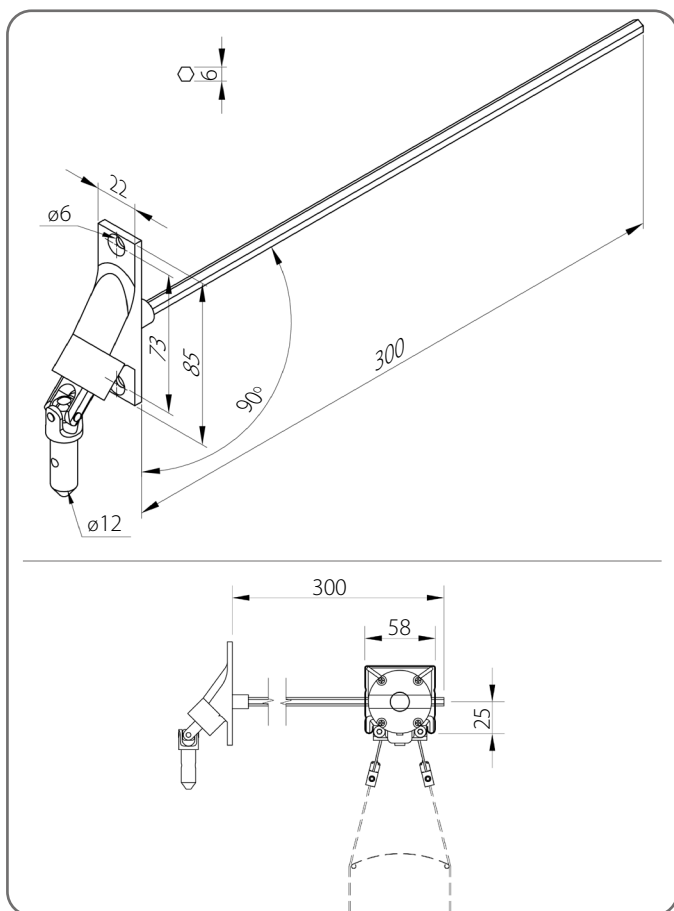
	Name of the component	Colour	Catalogue code
1.	Motor		JA_09_NHK
2.	Gear mechanism		ACEC/1.8
3.	End position limiter		OPK/ACEC/1.8
4.	Cardan joint		PC-G 90
5.	Handle	RAL 7035	KR-G/1200
6.	Safety ring with pin		PZZ-G
7.	Square tube		RP/12x12x1/100
8.	Guide rail bracket		US/A, US/B
9.	Steel rail - galvanised		
10.	Mechanism - 8 mm belt		
11.	Ladder braid	x	D/C80/x, D/Z90/x
12.	Slat	x	C 80/x, Z 90/x



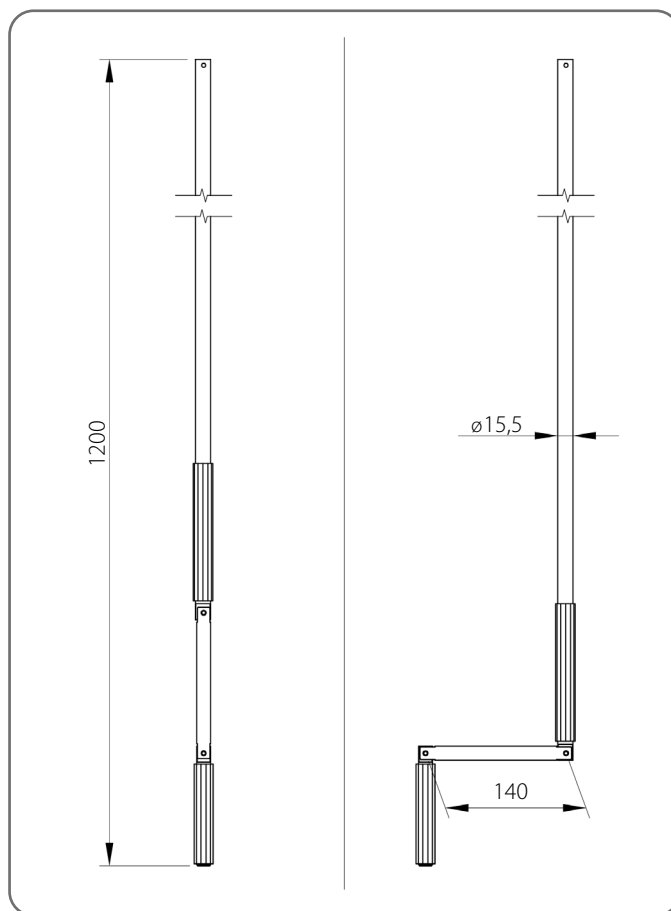
**CATALOGUE - TECHNICAL GUIDE FOR EXTERNAL
VENETIAN BLINDS (FACADE) SZF SkyFLOW SYSTEM**

MOTOR WITH EMERGENCY OPENING

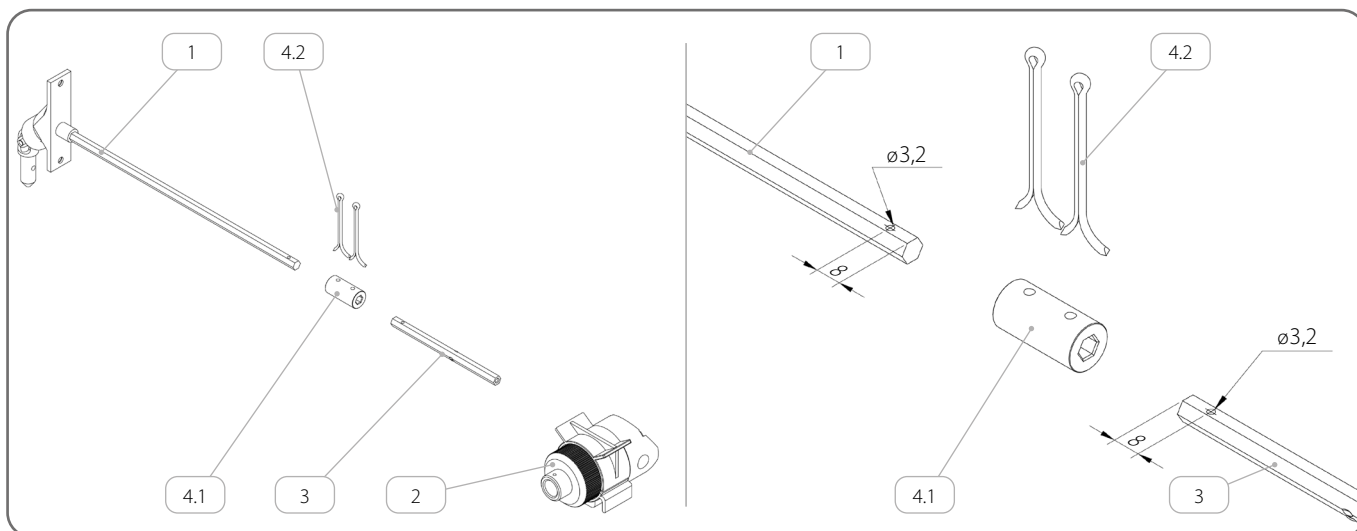
Cardan joint PC-G 90



Handle KR-G/1200



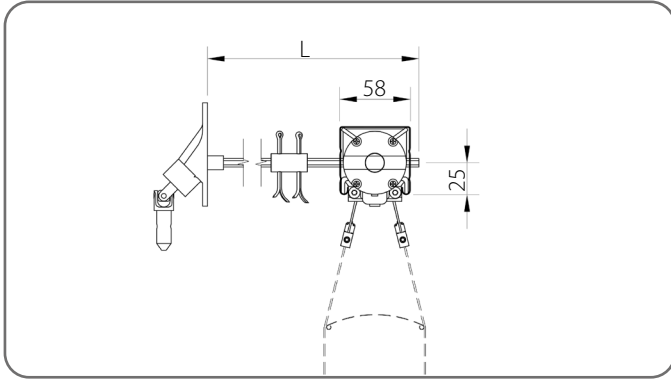
2.1. Extension of the axle



	Name of the component	Catalogue code
1.	Cardan joint	PC-G 90
2.	Gear mechanism	ACEC/1.8
3.	Axle extension	EXT6/300, EXT6/500, EXT6/750
4.	Axle connector	ZL ANR/6
4.1.	Bushing	
4.2.	Joint	

**CATALOGUE - TECHNICAL GUIDE FOR EXTERNAL
VENETIAN BLINDS (FACADE) SZF SKYFLOW SYSTEM**

MOTOR WITH EMERGENCY OPENING



	Catalogue code	L [mm]
1.	EXT6/300	600
2.	EXT6/500	800
3.	EXT6/750	1050

**CATALOGUE - TECHNICAL GUIDE FOR EXTERNAL
VENETIAN BLINDS (FACADE) SZF SkyFLOW SYSTEM**

MANUAL DRIVE

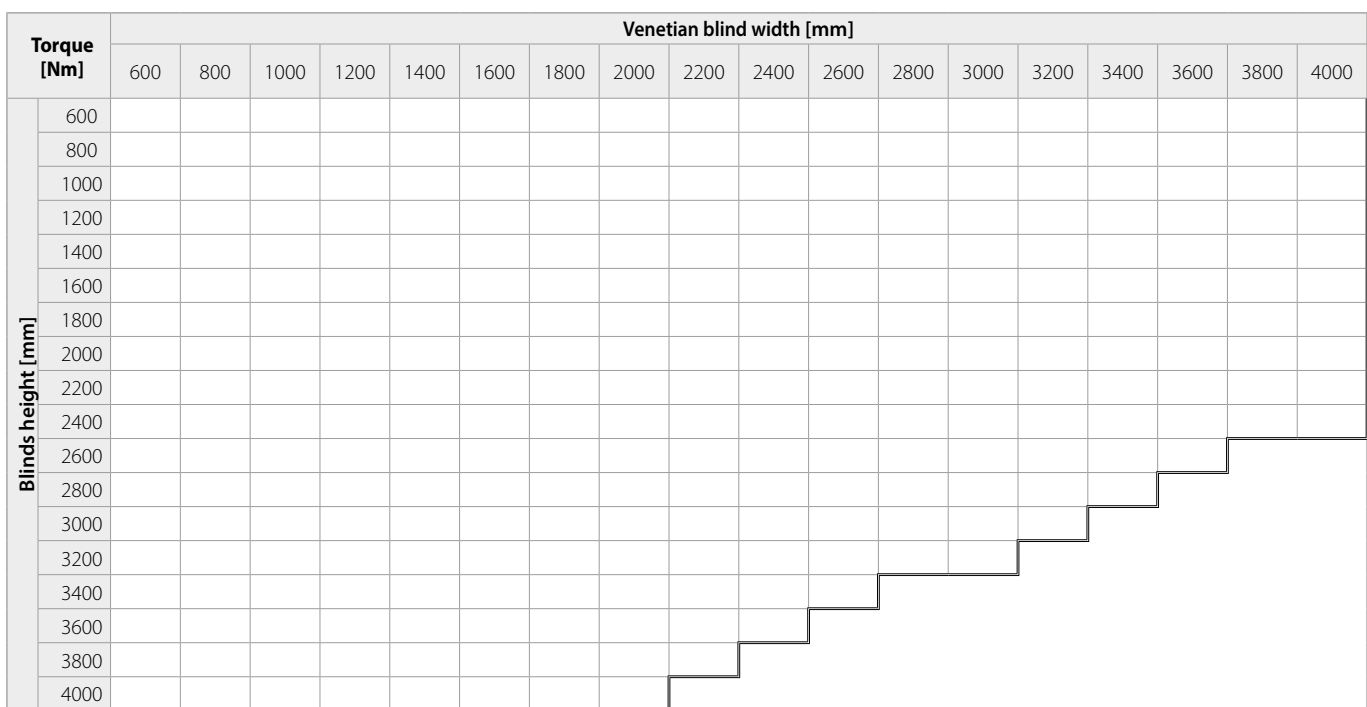
MANUAL DRIVE

1. GEAR MECHANISM


	Catalogue code	Description
1.	ACEC/1.8	The crank gear allows you to control the Venetian blind package without a power supply. The Cardan joint can be mounted on the left or right side of the blind.

Characteristics of the motor

	Catalogue code	Torque [Nm]						Gear ratio	
		4	6	8	9	10	18		20
1.	ACEC/1.8		x						1,8 : 1

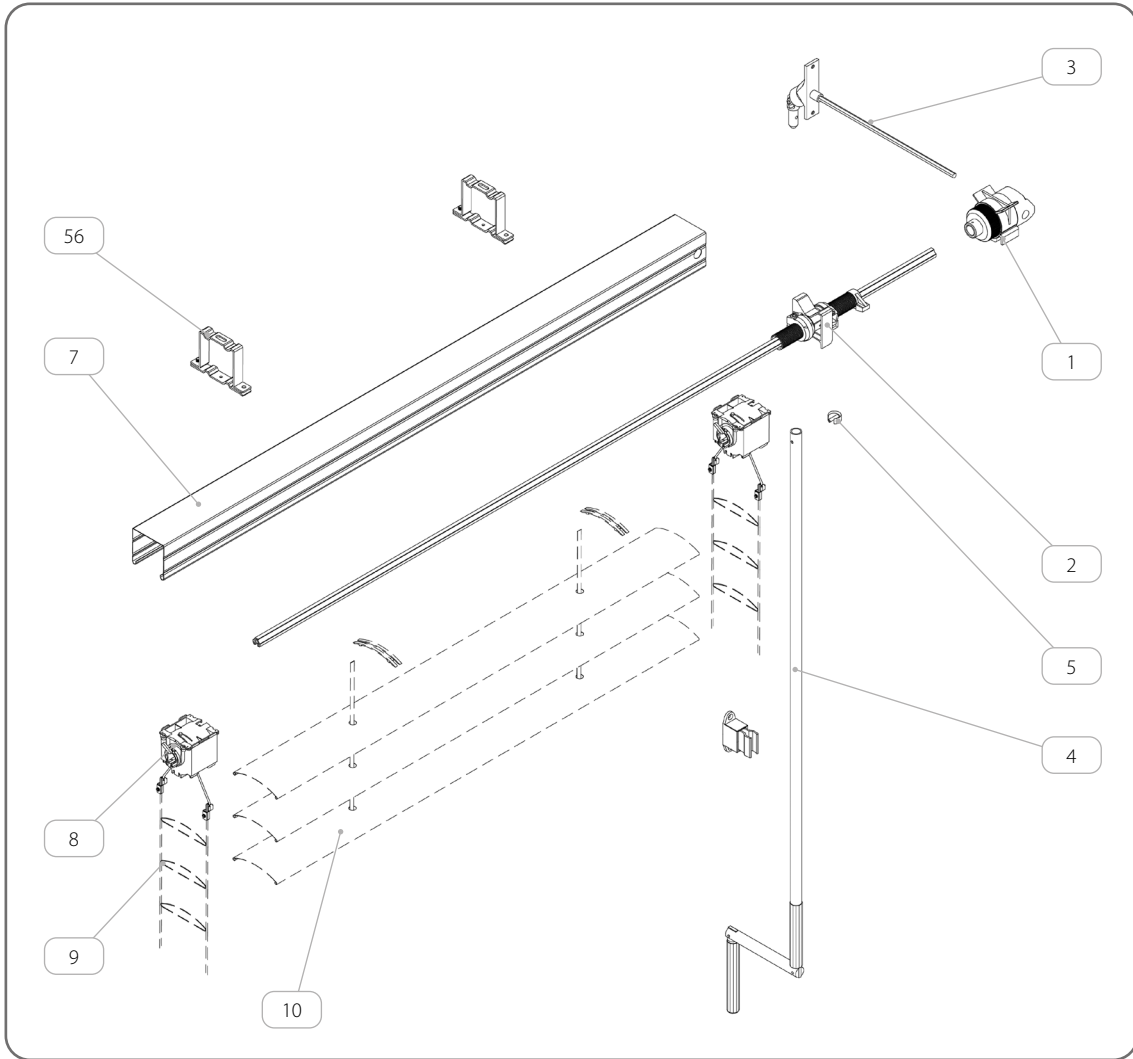


== 6 [Nm]

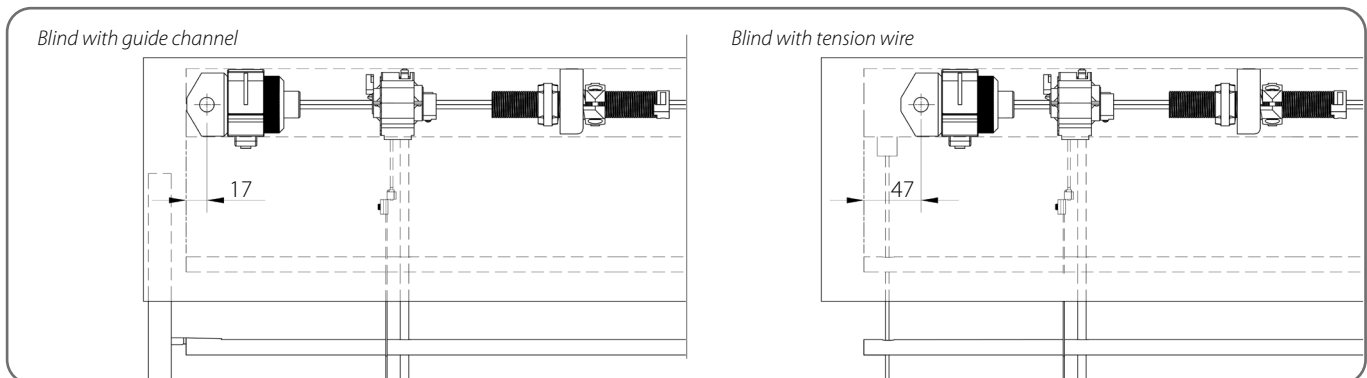
 Installation of the Cardan joint and the hole in the box must be done by the installer.

**CATALOGUE - TECHNICAL GUIDE FOR EXTERNAL
VENETIAN BLINDS (FACADE) SZF SKYFLOW SYSTEM**

MANUAL DRIVE



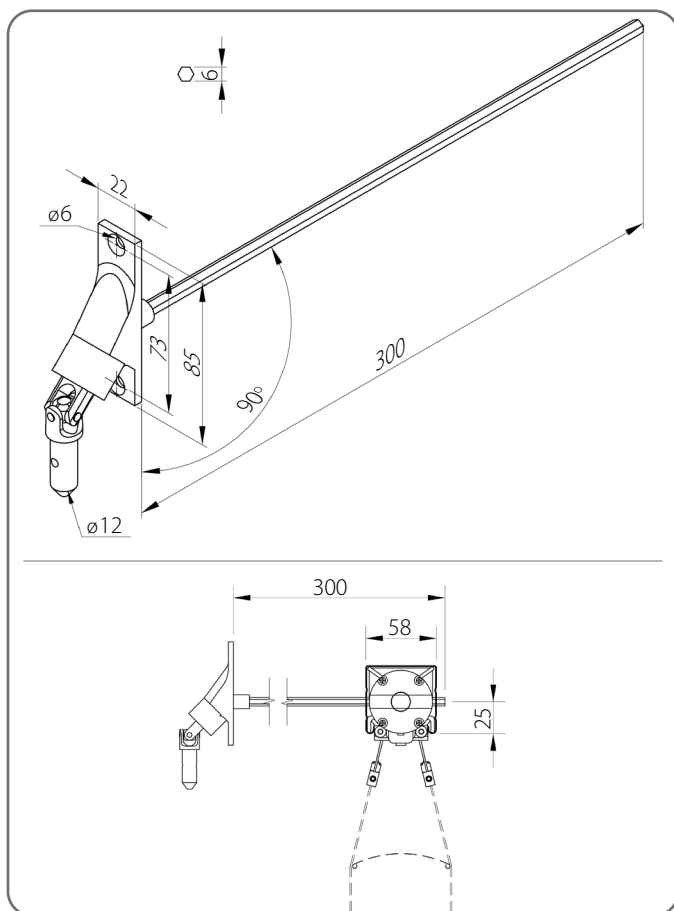
	Name of the component	Colour	Catalogue code
1.	Gear mechanism		ACEC/1.8
2.	End position limiter		OPK/ACEC/1.8
3.	Cardan joint		PC-G 90
4.	Handle	RAL 7035	KR-G/1200
5.	Safety ring with pin		PZZ-G
6.	Guide rail bracket		US/A, US/B
7.	Steel rail - galvanised		
8.	Mechanism - 8 mm belt		
9.	Ladder braid	x	D/C80/x, D/Z90/x
10.	Slat	x	C 80/x, Z 90/x



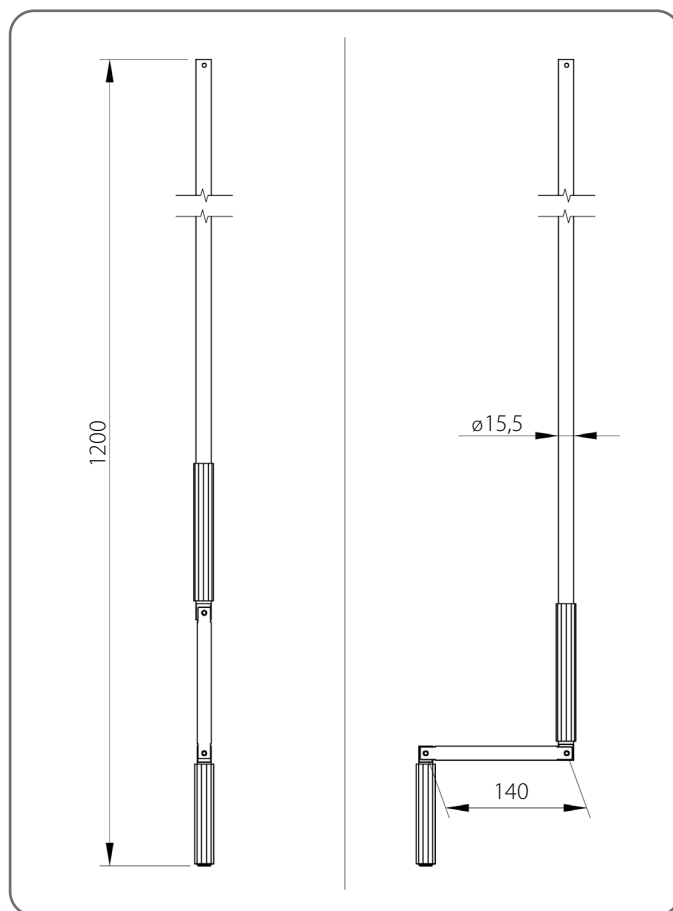
**CATALOGUE - TECHNICAL GUIDE FOR EXTERNAL
VENETIAN BLINDS (FACADE) SZF SkyFLOW SYSTEM**

MANUAL DRIVE

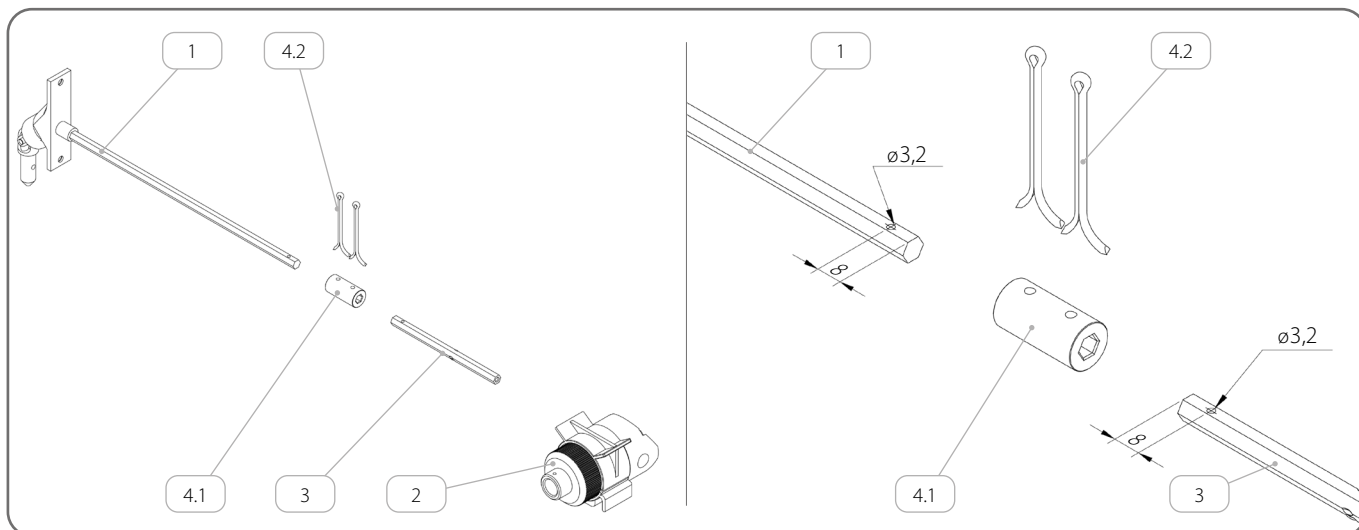
Cardan joint PC-G 90



Handle KR-G/1200



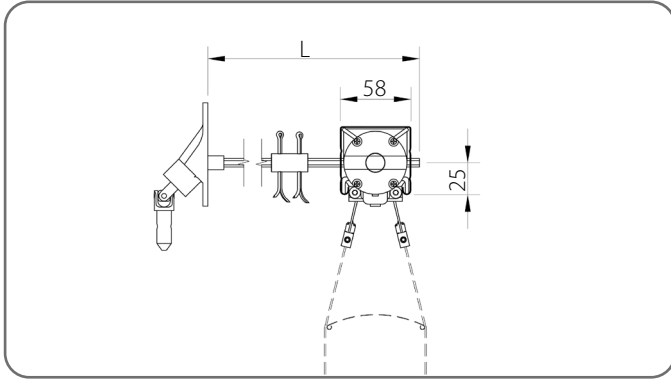
1.1. Extension of the axle



	Name of the component	Catalogue code
1.	Cardan joint	PC-G 90
2.	Gear mechanism	ACEC/1.8
3.	Axle extension	EXT6/300, EXT6/500, EXT6/750
4.	Axle connector	ZL ANR/6
4.1.	Bushing	
4.2.	Joint	

**CATALOGUE - TECHNICAL GUIDE FOR EXTERNAL
VENETIAN BLINDS (FACADE) SZF SKYFLOW SYSTEM**

MANUAL DRIVE



	Catalogue code	L [mm]
1.	EXT6/300	600
2.	EXT6/500	800
3.	EXT6/750	1050

**CATALOGUE - TECHNICAL GUIDE FOR EXTERNAL
VENETIAN BLINDS (FACADE) SZF SkyFlow SYSTEM
MANUAL DRIVE**

SZF SkyFlow blind

The product meets the CE safety requirements

ALUPROF

Head Office

ul. Warszawska 153
43-300 Bielsko-Biała, Poland
tel. +48 33 81 95 300
fax +48 33 82 20 512
e-mail: aluprof@aluprof.eu
www.aluprof.com

ALUPROF SUN SHADING SOLUTIONS

ul. Wschodnia 23a
45-449 Opole, Poland
tel. +48 77 55 32 100

SZF SkyFlow_ITK
We reserve the right to any technical change.
Valid on 2026.03.04